



SYSTÈMES DE VOLETS ROULANTS

CATALOGUE DE L'ENTREPRISE

ROLLER SHUTTER SYSTEMS

TECHNICAL CATALOGUE

ROLLLADENSYSTEME

TECHNISCHER KATALOG



TECHNICAL CATALOGUE
ALUTECH ROLLER SHUTTER SYSTEMS

ALUTECH

roller shutters –
way of progress



2016 ALUTECH

The content of this document cannot be
used as the reason for claim.



01	Roller shutter profiles
02	Components for roller shutter systems with integrated insect screen
03	Profiles for roller garage doors
04	Profiles for rolling grills
05	End slats
06	Guide rails
07	Shutter boxes, end caps, movable carriages and consoles
08	Octagonal tubes and accessories
09	Automatic control units
10	Hand operators
11	Accessories
12	Technical information. Index

6 manufacturing enterprises

25 sales companies



ALUTECH Group of companies is one of the leading manufacturers of profiles, components and drives for roller shutter systems, it unites a number of manufacturing enterprises and sales companies in Central and Eastern Europe.

Today ALUTECH Group has its own high-tech production of extruded profiles, the line for aluminium and steel lath coating, roll forming lines, automated machines for high pressure casting of aluminium alloys, lines for powder coating and anodic treatment. ALUTECH roller shutters conform to European quality standards and have been installed at the millions of sites in 65 countries all over the world.

ALUTECH mission is to produce for customers affordable quality products of elegant design to enhance the environment.

Our ambition is achieved with close working cooperation with our business partners who enjoy the benefits of increased sales due to joint development programs.



INTEGRATED TECHNOLOGIES

The backward vertical integration of the production processes provides highly competitive prices. All new components for roller shutter systems – roll-formed and extruded profiles, shutter boxes, end caps, octagonal roll tubes, hand operators – are produced at the manufacturing enterprises of ALUTECH Group of companies. Own production ensures efficient quality control of the manufactured products at all life-cycle stages – from concept to completion and delivery of finished products to customers.



- aluminium and steel coating line
- 12 roll forming lines
- foundry shop
- powder coating lines (horizontal and vertical)
- extrusion lines for manufacture of aluminium extruded profiles
- aluminium anodizing workshop
- automated facilities for high-pressure casting of aluminium alloys



over **40** control methods and
over **50** testing parameters

Quality first of all

We pay much attention to quality, quality of the whole system as well as of each detail.

Quality control is performed at all stages of the production process: starting from the purchase of the raw materials to manufacture of finished products and its packing.

Testing of geometry, coating and foam insulation quality, curtain winding and wind resistance.



ALUTECH roller shutters conform to the requirements of EU directives and standards in production safety.

High quality of ALUTECH roller shutter systems is confirmed by the certificates and test protocols issued by the licensed labs of the international companies and R&D centers in Belgium, Switzerland, Germany, Sweden, Czech Republic

Certificate ISO 9001 : 2008 (TÜV Rheinland InterCert, Brussels) confirms high quality of the works in designing, development, production, installation and service of ALUTECH roller shutter systems.

CE Certificates on ALUTECH roller shutters (TÜV SÜD Czech, the Czech Republic) confirm their compliance with the requirements of Directive of the European Union No 89/106/EEC and EN 13659: 2004 in the field of security and wind resistance.

QUALICOAT Certificate (Zurich, Switzerland) confirms high quality of the profiles and their environmental friendliness and compliance of ALUTECH extruded profiles' coating to the European standards.

SEASIDE Certificate (Attachment to Qualicoat Certificate) confirms corrosion resistance of ALUTECH extruded profiles' coating.

QUALANOD Certificate (Zurich, Switzerland) confirms high quality of ALUTECH anodized extruded profile coatings.

Test report of BASF Coating GmbH (Germany) and AkzoNobel (Sweden) testify excellent coating quality of the aluminium coil used to produce ALUTECH profiles and shutter boxes.



Over
9000
regular
customers



PARTNERSHIP

Our service and support program aims to make the process of choosing components and product order easier. Instructions, recommendations, automatic program of choice, information on our web-site www.alutech-group.com, consultations of the company professionals – we do everything in order to help our clients to make the right choice of roller shutter systems.



ALUTECH

products
are supplied

to **65** countries
of the world

ALUTECH
roller shutters
are installed
in millions
of sites





Roller shutter functions



Sun protection

Providing comfortable cool atmosphere in hot summer days; protection of curtains, furniture and carpets from colour fading under influence of the sun rays.



Weather protection

Excellent protection of windows from rain, snow, hail, wind and grit. Flying leaves and objects blown by the wind will not damage your windows. Less cleaning and painting required as it keeps the rain off.



Energy saving

Efficient use of air-conditioners and heaters due to additional insulation and heat saving in winter and cool in summer.



Protection from prying eyes

Protect your private life from curious and inquisitive neighbours. Feel secure in your own home. An alternative to blinds.



Reduction of noise

A quieter home environment for more efficient work, recreation or rest.


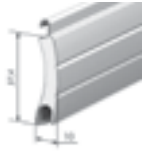





Protection and Burglar Deterring

Protection of the property, windows and shop-windows. Burglars will move to the next property which is unprotected. Be safe with ALUTECH roller shutters.



























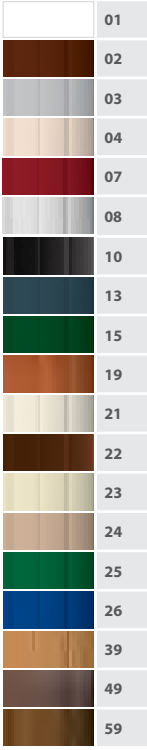
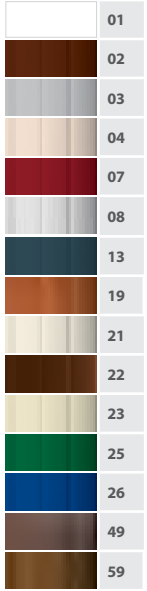
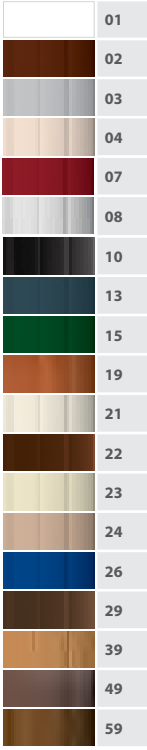
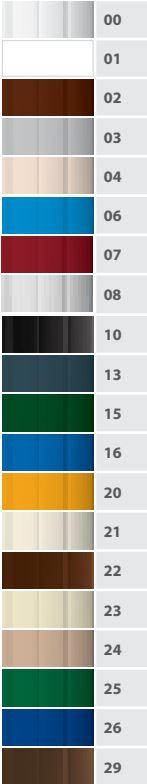
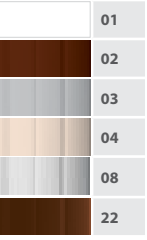
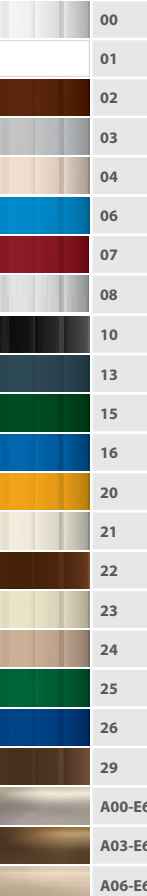
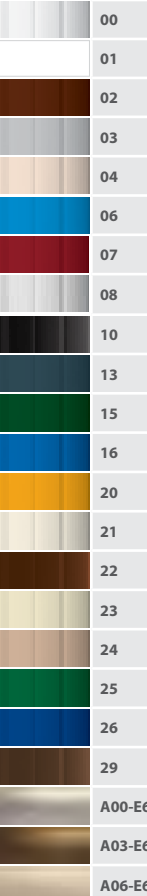

ALUTECH profiles for roller shutters, garage doors and rolling grills

PROFILE	AR/377	ARH/37S	AR/39	AR/40	ARH/40
					
Technical parameters					
Profile height, mm	37	37,4	39	40	40
Profile thickness, mm	8,4	10	8,5	9	9
Weight per 1m, kg	0,092	0,28	0,096	0,128	0,193
Weight per 1m ² , kg	2,49	7,46	2,46	3,2	4,83
Quantity of profiles per 1m of the curtain height	27,03	26,7	25,64	25,00	25,00
Max width, m	2,94	5,8	3,04	4,03	4,39
Max curtain surface, m ²	8,82	15,54	9,12	12,09	13,18
Standard length, m	6	6	6	6	6
Standard pack, m	240	120	240	240	240

Winding parameters, mm (retainer spring+ring)						
Tube 40	125	999		975	810	810
	137	1554		1560	1150	1150
	150	1961	1090	1989	1500	1500
	165	2701	1420	2418	1900	1900
	180	3219	1870	2964	2400	2400
	205	4366	2840	4017	3000	3000
	230		3440	5538	4000	4000
Tube 60	137	1147		1131		
	150	1850	1120	1872	1300	1300
	165	2331	1650	2301	1750	1750
	180	2812	2090	2808	2200	2200
	205	4033	2660	3861	2850	2850
	230		3740	4992	3800	3800
	250		4490	6045	4650	4650
	300					
Tube 70	150					
	165		1350			
	180		1800			
	205		2810			
	230		3440			
	250		4150			

Colours

Name	~ RAL	01	01	01	01	01
00 mill-finished						
01 white	9016					
02 brown	8014					
03 grey	7038					
04 beige						
06 sky-blue	5015					
07 purple red	3004					
08 silver*	9006					
10 black	9011					
13 anthracite	7016					
15 green fir	6009					
16 azure blue	5005					
19 golden oak						
20 yellow	1007					
21 cream	1013					
22 dark brown	8019					
23 ivory	1015					
24 dark beige	1019					
25 green moss	6005					
26 dark blue	5011					
29 bronze						
39 irish oak						
49 black cherry						
59 nut						
83 graphite						
Anodized coating**						
A00-E6 silver						
A03-E6 bronze						
A06-E6 champagne						






AR/41	AR/45	AR/52	AER42	AER44m/S	AER44/S	AER55/S	AER55m/S
							
41	45	52	42	44	44	55	55
8,5	8,5	13,5	8,2	9	9	13,5	13,5
0,104	0,12	0,156	0,182	0,234	0,276	0,444	0,338
2,537	2,67	2,964	4,28	5,3	6,27	8,08	6,15
24,39	22,22	19,0	23,5	22,7	22,7	18,2	18,2
3,23	3,39	4,80		3,23	4,3	6	5,7
9,69	10,18	12,48		9,69	12,8	18	17,1
6	6	6	6	6	6	6	6
240	240	120	96	96	96	60	60
Winding parameters, mm (retainer spring+ring)							
830	810						
1100	1125		1350	1150	1150		
1450	1485		2050	1240	1240		
1850	1890		2450	1590	1590		
2700	2385		3000	2120	2120		
3300	3420		4500	3440	3440		
950			1200				
1300	1260	936	1650	1020	1020		
1750	1710	1612	2300	1410	1410	750	1210
2550	2340	2028	2850	2200	2200	1100	1760
3600	3330	2652	4350	3260	3260	2000	2255
		3224		4356	4356	2640	3300
5300		3900	6550	5240	5240	3200	4070
		5408				4850	5665
		936					
	1305	1352					
	1755	1820		2200	2200		
	2745	2496		2860	2860	1850	2310
		3120		3960	3960	2585	2970
	5085	3952		4710	4710	3350	3575
		5928				5150	5720
Colours							
							

Colours shown here may vary from the real woodgrain colours (codes 115, 149, 159) of roller shutter profiles.

* Comparison of the coatings such as "silver" is conducted only visually without using special devices according to the European standards ISO724, ECCA T3, DIN EN 13523-3, ASTM D 3022. It is caused by a complicated structure of the coating that contains particles of metal colouring agents. This circumstance causes difficulties in display of the identical coating in different batches of the series. Thus, we recommend using in the same roller shutter profiles and shutter boxes in "silver" from one batch.

** Taking into account the peculiarities of the anodizing technological processes we recommend using the profiles with anodized coating from one batch in the ready-made roller shutter.

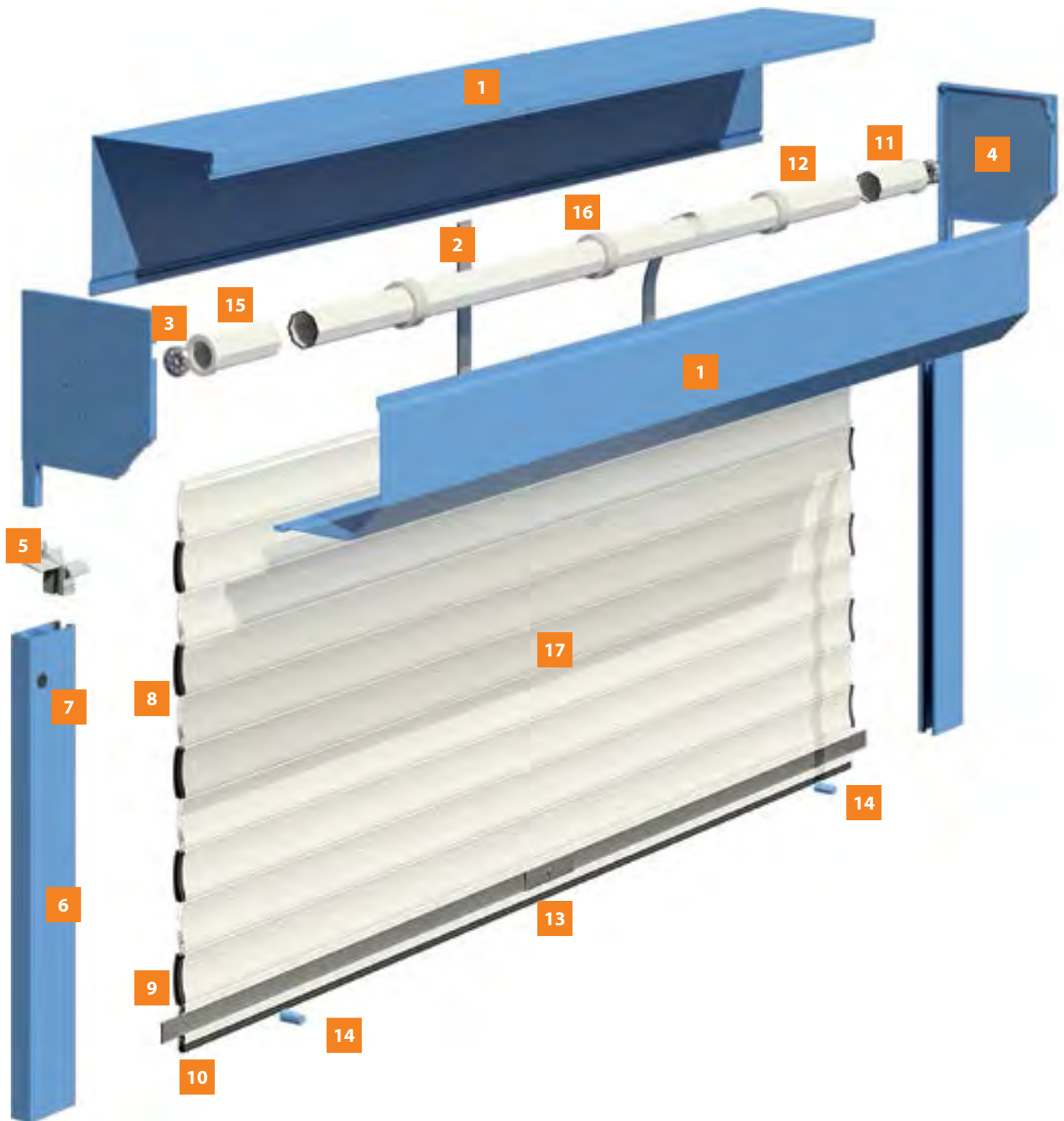
ALUTECH profiles for roller shutters, garage doors and rolling grills

PROFILE	AR/555	AR/55	ARH/55	AR/55m	AG/77																																																																																																															
																																																																																																																				
Technical parameters																																																																																																																				
Profile height, mm	55	55	55	55	77																																																																																																															
Profile thickness, mm	14	13,5	13,5	11	19																																																																																																															
Weight per 1m, kg	0,183	0,198	0,318	0,157	0,357																																																																																																															
Weight per 1m ² , kg	3,33	3,6	5,78	2,85	4,64																																																																																																															
Quantity of profiles per 1m of the curtain	18,18	18,18	18,18	18,18	13																																																																																																															
Max width, mm	5,1	4,97	5,51	4,45	7,7																																																																																																															
Max curtain surface, m ²	12,75	12,43	13,78	13,35	26,9																																																																																																															
Standard length, mm	6	6	6	6	7																																																																																																															
Standard pack, m	120	120	120	120	105																																																																																																															
Winding parameters, mm (retainer spring+ring)																																																																																																																				
Tube 60	150																																																																																																																			
	165																																																																																																																			
	180	1760	1045	1045	1485																																																																																																															
	205	2310	2000	2000	2365																																																																																																															
	230	2915	2475	2475	3465																																																																																																															
	250	3740	3200	3200	4180																																																																																																															
Tube 70	300	5665	4750	4750																																																																																																																
	165				1265																																																																																																															
	180	1430			1925																																																																																																															
	205	2365	1925	1925	2750																																																																																																															
	230	2915	2585	2585	3630																																																																																																															
Tube 102	250	3630	3190	3190	4345																																																																																																															
	300	5655	4675	4675																																																																																																																
	230																																																																																																																			
	250																																																																																																																			
	360																																																																																																																			
405					2050																																																																																																															
					2850																																																																																																															
					1540																																																																																																															
					2387																																																																																																															
					4081																																																																																																															
					6006																																																																																																															
Colours																																																																																																																				
<table border="1"> <thead> <tr> <th>Name</th> <th>~ RAL</th> </tr> </thead> <tbody> <tr><td>00 mill-finished</td><td></td></tr> <tr><td>01 white</td><td>9016</td></tr> <tr><td>02 brown</td><td>8014</td></tr> <tr><td>03 grey</td><td>7038</td></tr> <tr><td>04 beige</td><td></td></tr> <tr><td>06 sky-blue</td><td>5015</td></tr> <tr><td>07 purple red</td><td>3004</td></tr> <tr><td>08 silver*</td><td>9006</td></tr> <tr><td>10 black</td><td>9011</td></tr> <tr><td>13 anthracite</td><td>7016</td></tr> <tr><td>15 green fir</td><td>6009</td></tr> <tr><td>16 azure blue</td><td>5005</td></tr> <tr><td>19 golden oak</td><td></td></tr> <tr><td>20 yellow</td><td>1007</td></tr> <tr><td>21 cream</td><td>1013</td></tr> <tr><td>22 dark brown</td><td>8019</td></tr> <tr><td>23 ivory</td><td>1015</td></tr> <tr><td>24 dark beige</td><td>1019</td></tr> <tr><td>25 green moss</td><td>6005</td></tr> <tr><td>26 dark blue</td><td>5011</td></tr> <tr><td>29 bronze</td><td></td></tr> <tr><td>39 irish oak</td><td></td></tr> <tr><td>49 black cherry</td><td></td></tr> <tr><td>59 nut</td><td></td></tr> <tr><td>83 graphite</td><td></td></tr> </tbody> </table>	Name	~ RAL	00 mill-finished		01 white	9016	02 brown	8014	03 grey	7038	04 beige		06 sky-blue	5015	07 purple red	3004	08 silver*	9006	10 black	9011	13 anthracite	7016	15 green fir	6009	16 azure blue	5005	19 golden oak		20 yellow	1007	21 cream	1013	22 dark brown	8019	23 ivory	1015	24 dark beige	1019	25 green moss	6005	26 dark blue	5011	29 bronze		39 irish oak		49 black cherry		59 nut		83 graphite		<table border="1"> <thead> <tr><th>01</th></tr> </thead> <tbody> <tr><td>02</td></tr> <tr><td>03</td></tr> <tr><td>04</td></tr> <tr><td>08</td></tr> <tr><td>10</td></tr> <tr><td>13</td></tr> <tr><td>15</td></tr> <tr><td>21</td></tr> <tr><td>22</td></tr> <tr><td>23</td></tr> <tr><td>24</td></tr> </tbody> </table>	01	02	03	04	08	10	13	15	21	22	23	24	<table border="1"> <thead> <tr><th>01</th></tr> </thead> <tbody> <tr><td>02</td></tr> <tr><td>03</td></tr> <tr><td>04</td></tr> <tr><td>08</td></tr> <tr><td>10</td></tr> <tr><td>13</td></tr> <tr><td>15</td></tr> <tr><td>21</td></tr> <tr><td>22</td></tr> <tr><td>23</td></tr> <tr><td>24</td></tr> <tr><td>29</td></tr> </tbody> </table>	01	02	03	04	08	10	13	15	21	22	23	24	29	<table border="1"> <thead> <tr><th>01</th></tr> </thead> <tbody> <tr><td>02</td></tr> <tr><td>03</td></tr> <tr><td>04</td></tr> <tr><td>07</td></tr> <tr><td>08</td></tr> <tr><td>10</td></tr> <tr><td>13</td></tr> <tr><td>15</td></tr> <tr><td>19</td></tr> <tr><td>21</td></tr> <tr><td>22</td></tr> <tr><td>23</td></tr> <tr><td>26</td></tr> <tr><td>29</td></tr> <tr><td>49</td></tr> <tr><td>59</td></tr> </tbody> </table>	01	02	03	04	07	08	10	13	15	19	21	22	23	26	29	49	59	<table border="1"> <thead> <tr><th>01</th></tr> </thead> <tbody> <tr><td>02</td></tr> <tr><td>03</td></tr> <tr><td>04</td></tr> <tr><td>07</td></tr> <tr><td>08</td></tr> <tr><td>10</td></tr> <tr><td>13</td></tr> <tr><td>15</td></tr> <tr><td>19</td></tr> <tr><td>21</td></tr> <tr><td>22</td></tr> <tr><td>25</td></tr> <tr><td>26</td></tr> <tr><td>39</td></tr> <tr><td>49</td></tr> <tr><td>59</td></tr> <tr><td>83</td></tr> </tbody> </table>	01	02	03	04	07	08	10	13	15	19	21	22	25	26	39	49	59	83
Name	~ RAL																																																																																																																			
00 mill-finished																																																																																																																				
01 white	9016																																																																																																																			
02 brown	8014																																																																																																																			
03 grey	7038																																																																																																																			
04 beige																																																																																																																				
06 sky-blue	5015																																																																																																																			
07 purple red	3004																																																																																																																			
08 silver*	9006																																																																																																																			
10 black	9011																																																																																																																			
13 anthracite	7016																																																																																																																			
15 green fir	6009																																																																																																																			
16 azure blue	5005																																																																																																																			
19 golden oak																																																																																																																				
20 yellow	1007																																																																																																																			
21 cream	1013																																																																																																																			
22 dark brown	8019																																																																																																																			
23 ivory	1015																																																																																																																			
24 dark beige	1019																																																																																																																			
25 green moss	6005																																																																																																																			
26 dark blue	5011																																																																																																																			
29 bronze																																																																																																																				
39 irish oak																																																																																																																				
49 black cherry																																																																																																																				
59 nut																																																																																																																				
83 graphite																																																																																																																				
01																																																																																																																				
02																																																																																																																				
03																																																																																																																				
04																																																																																																																				
08																																																																																																																				
10																																																																																																																				
13																																																																																																																				
15																																																																																																																				
21																																																																																																																				
22																																																																																																																				
23																																																																																																																				
24																																																																																																																				
01																																																																																																																				
02																																																																																																																				
03																																																																																																																				
04																																																																																																																				
08																																																																																																																				
10																																																																																																																				
13																																																																																																																				
15																																																																																																																				
21																																																																																																																				
22																																																																																																																				
23																																																																																																																				
24																																																																																																																				
29																																																																																																																				
01																																																																																																																				
02																																																																																																																				
03																																																																																																																				
04																																																																																																																				
07																																																																																																																				
08																																																																																																																				
10																																																																																																																				
13																																																																																																																				
15																																																																																																																				
19																																																																																																																				
21																																																																																																																				
22																																																																																																																				
23																																																																																																																				
26																																																																																																																				
29																																																																																																																				
49																																																																																																																				
59																																																																																																																				
01																																																																																																																				
02																																																																																																																				
03																																																																																																																				
04																																																																																																																				
07																																																																																																																				
08																																																																																																																				
10																																																																																																																				
13																																																																																																																				
15																																																																																																																				
19																																																																																																																				
21																																																																																																																				
22																																																																																																																				
25																																																																																																																				
26																																																																																																																				
39																																																																																																																				
49																																																																																																																				
59																																																																																																																				
83																																																																																																																				
Anodized coating** <table border="1"> <tbody> <tr><td>A00-E6 silver</td></tr> <tr><td>A03-E6 bronze</td></tr> <tr><td>A06-E6 champagne</td></tr> </tbody> </table>	A00-E6 silver	A03-E6 bronze	A06-E6 champagne																																																																																																																	
A00-E6 silver																																																																																																																				
A03-E6 bronze																																																																																																																				
A06-E6 champagne																																																																																																																				

Scheme of the profiles and components compatibility

Profile thickness	Profiles	End slats	Guide rails	End caps	
8,5 mm	AR/377 AR/39 AR/41 AR/45	ESU8×60 ESU9×35 ESL9×50 ESL9×50/eco ES9×45 ES9×45R	ESE9	GR45×22E GR45×34IE GR53×22 GR53×22/eco GR45×34E GR45×60E GR53×60E GR53×34E GR53×39E GR53×42E GR79×22E GR83×22E GR60×21/SE	125
	AER42				
9 mm	AR/40 ARH/40	ESU8×60 ESU9×35 ESL9×50 ESL9×50/eco ES9×45 ES9×45R	ESE9	GR45×22E GR45×34IE GR53×22 GR53×22/eco GR45×34E GR45×60E GR53×60E GR53×34E GR53×39E GR53×42E GR79×22E GR83×22E GR60×21/SE	137
	AER44m/S AER44/S				
11 mm	AR/55m			GR65×24E GR65×24/eco	150 165 180 205
14 mm	AR/52 AR/555 AR/55 ARH/55	ESU13×52 ES14×51 ES14×51R	ESE14	GRM66×27E	230/S 250/S
	AER55m/S AER55/S				
	AEG56 AEG56/P AER56 AEG30/S	ES7 ESR60 ESR60R		GR75×27E GR75×27/SE	230 250
19 mm	AG/77 AG/77H EV/77W EA/77	ES/77 ESU/77 ESR/77 ESR/77R		GR70×34E GR83×33/eco GR90×33 GR90×34E GR100×35	300 360
	AEG84 AER84 AEG45/S	ESU88			

Standard roller shutter assembly



1	Shutter box	7	PVC plug button	13	Key lock
2	Retainer spring	8	Side lock	14	Stopper
3	Ball bearing	9	Locking flat bar	15	Bearing cap
4	End cap	10	End slat	16	Distance ring
5	Entry guide	11	Universal cap	17	Roller shutter profile
6	Guide rail	12	Octagonal roll tube		



ALUTECH
ROLLER SHUTTER SYSTEMS

01

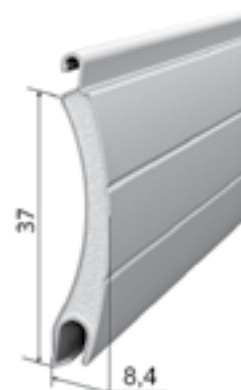
[Fr] LAMES POUR VOLETS
ROULANTS

[En] ROLLER SHUTTER PROFILES

[De] ROLLADENPROFILE

AR/377 (N) | LAME ALU | ALUMINIUM PROFILE | ALUMINIUMPROFIL

Coloris	Colour	Farbe	Code - Code - Code	
			AR/377	AR/377N
blanc	white	weiß	301035101	301036101
brun	brown	braun	301035102	301036102
gris	grey	grau	301035103	301036103
beige	beige	beige	301035104	301036104
rouge pourpre	purple red	purpurrot	301035107	301036107
alu argenté	silver	silber	301035108	301036108
noir	black	schwarz	301035110	301036110
anthracite	anthracite	anthrazit	301035113	301036113
vert sapin	green fir	tannengrün	301035115	301036115
chêne doré	golden oak	goldene Eiche	301035119	301036119
jaune	yellow	gelb	301035120	301036120
crème	cream	cremeweiss	301035121	301036121
brun foncé	dark brown	dunkelbraun	301035122	301036122
ivoire claire	light ivory	helllelfenbein	301035123	301036123
beige foncé	dark beige	dunkelbeige	301035124	301036124
vert mousse	moss green	moosgrün	301035125	301036125
bleu foncé	dark blue	dunkelblau	301035126	301036126
bronze	bronze	bronze	301035129	301036129
merisier	black cherry	Kirsche	301035149	301036149
noyer	nut	Nussbaum	301035159	301036159



AR/377 — ajourée, **AR/377N** — non ajourée
AR/377 — perforated, **AR/377N** — not perforated
AR/377 — perforiert, **AR/377N** — unperforiert

Résistance au vent conformément à la norme EN13659 Classes of wind load resistance according to EN13659 Windlastklassen laut EN13659	Largeur maximale du tablier, m Max. curtain width, m Max. Breite, m	Surface maximale, m ² Max. curtain surface area, m ² Max. Fläche, m ²
1	2,94	6,47
2	2,71	5,96
3	2,40	5,28
4	2,03	4,47
5	1,80	3,96
6	1,61	3,54



Référence Article Artikel	Code Code Code	Commande standardisée Standard pack Verpackungseinheit
SP377MH	313065000	1000 pièces/pcs/Stk

Poids de 1 ml, kg / Weight per 1 m, kg / Gewicht je lfd.m, kg0,092
 Poids de 1 m², kg / Weight per 1 m², kg / Gewicht je m², kg 2,49
 Nombre de lames au mètre / Number of slats per 1 m of curtain height / Stabbedarf für 1 m Panzerhöhe27,03
 Longueur standardisée, m / Standard length, m / Produktionslänge, m6,0
 Commande standardisée, m / Standard pack, m / Verpackungseinheit, m.....240,0

Hauteur maximale du tablier en fonction des options d'assemblage, mm
Max. roller shutter curtain height depending on the assembly option, mm
Max. Panzerhöhe bei verschiedenen Ausstattungsvarianten des Rollladens, mm

Dimension de caisson, mm Shutter box size, mm Typengröße des Blendenkastens, mm	RT40x0,5 / RT40x0,6		RT60x0,6 / RT60x0,8	
	RGM	Attache du tablier + RD40 Retainer spring + RD40 Stahlbandaufhänger + Adapterring RD40	RGM	Attache du tablier+RD60 Retainer spring+RD60 Stahlbandaufhänger + Adapterring RD60
125	296	999	296	777
137	777	1554	925	1147
150	1110	1961	1295	1850
165	1480	2701	1739	2331
180	1924	3219	2220	2812
205	2849	4366	3219	4033

ARH/37S (N) | LAME ALU AVEC MOUSSE PU SUPER DURE | ALUMINIUM PROFILE WITH SUPER SOLID PU FOAM | ALUMINIUMPROFIL MIT SUPERHARTEM PU-SCHAUM

Coloris	Colour	Farbe	Code • Code • Code	
			ARH/37S	ARH/37SN
blanc	white	weiß	301037101	301038101
brun	brown	braun	301037102	301038102
beige	beige	beige	301037104	301038104
alu argenté	silver	silber	301037108	301038108



ARH/37S — ajourée, **ARH/37SN** — non ajourée
ARH/37S — perforated, **ARH/37SN** — not perforated
ARH/37S — perforiert, **ARH/37SN** — unperforiert

Largeur maximale du VR pour ARH/37S, m
 Max. roller shutter width for ARH/37S, m
 Max. Rollladen-Breite für ARH/37S, m

Résistance au vent conformément à la norme EN13659 Classes of wind load resistance according to EN13659 Windlastklassen laut EN13659	Hauteur 2 m Height 2 m Höhe 2 m	Hauteur 3 m Height 3 m Höhe 3 m
1	5,80	5,18
2	5,40	4,66
3	4,45	4,02
4	3,57	3,33
5	2,90	2,82
6	2,52	2,45

Référence Article Artikel	Code Code Code	Commande standardisée Standard pack Verpackungseinheit
SP37/H	313073000	500 pièces/pcs/Stk

Poids de 1 ml, kg / Weight per 1 m, kg / Gewicht je lfd.m, kg 0,28
 Poids de 1 m², kg / Weight per 1 m², kg / Gewicht je m², kg 7,46
 Nombre de lames au mètre / Number of slats per 1 m of curtain height / Stabbedarf für 1 m Panzerhöhe 26,7
 Longueur standardisée, m / Standard length, m / Produktionslänge, m 6,0
 Commande standardisée, m / Standard pack, m / Verpackungseinheit, m 120,0

Hauteur maximale du tablier en fonction des options d'assemblage, mm
Max. roller shutter curtain height depending on the assembly option, mm
Max. Panzerhöhe bei verschiedenen Ausstattungsvarianten des Rollladens, mm

Dimension de caisson, mm Shutter box size, mm Blendenkasten-Größe, mm	RT40x0,5 / RT40x0,6		RT60x0,6 / RT60x0,8			RT70x1,2			RT102x2,5	
	Attache du tablier+bagues Retainer spring+rings Stahlband-aufhänger+ Ringe	Verrou de sécurité Security lock Hoch-schiebesicherung	Attache du tablier+bagues Retainer spring+rings Stahlband-aufhänger+ Ringe	Verrou de sécurité Security lock Hoch-schiebesicherung	Profilé de fixation Retainer profile Befestigungsleiste	Attache du tablier+bagues Retainer spring+rings Stahlband-aufhänger+ Ringe	Verrou de sécurité Security lock Hoch-schiebesicherung	Profilé de fixation Retainer profile Befestigungsleiste	Attache du tablier+bagues Retainer spring+rings Stahlband-aufhänger+ Ringe	Profilé de fixation Retainer profile Befestigungsleiste
150	1 090	820	1 120	940	823	—	—	—	—	—
165	1 420	1 230	1 650	1 380	1 234	1 350	—	—	—	—
180	1 870	1 650	2 090	1 420	1 646	1 800	1 160	1 346	1 270	860
205	2 840	2 130	2 660	2 360	2 543	2 810	2 090	2 244	1 870	1 720
230	3 440	3 220	3 740	2 960	3 366	3 440	2 730	3 329	2 920	2 805
250	4 490	3 850	4 490	4 150	4 376	4 150	3 930	4 002	3 590	3 478

AR/39 (N) | LAME ALU | ALUMINIUM PROFILE | ALUMINIUMPROFIL



Coloris	Colour	Farbe	Code • Code • Code	
			AR/39	AR/39N
blanc	white	weiß	302031101	302032101
brun	brown	braun	302031102	302032102
gris	grey	grau	302031103	302032103
beige	beige	beige	302031104	302032104
rouge pourpre	purple red	purpurrot	302031107	302032107
alu argenté	silver	silber	302031108	302032108
noir	black	schwarz	302031110	302032110
anthracite	anthracite	anthrazit	302031113	302032113
vert sapin	green fir	tannengrün	302031115	302032115
chêne doré	golden oak	goldene Eiche	302031119	302032119
jaune	yellow	gelb	302031120	302032120
crème	cream	cremeweiss	302031121	302032121
brun foncé	dark brown	dunkelbraun	302031122	302032122
ivoire claire	light ivory	hell elfenbein	302031123	302032123
beige foncé	dark beige	dunkelbeige	302031124	302032124
vert mousse	moss green	moosgrün	302031125	302032125
bleu foncé	dark blue	dunkelblau	302031126	302032126
bronze	bronze	bronze	302031129	302032129
chêne irlandais	Irish oak	Eiche hell	302031139	302032139
merisier	black cherry	Kirsche	302031149	302032149
noyer	nut	Nussbaum	302031159	302032159
graphite	graphite	graphit	302031183	302032183



AR/39 — ajourée, **AR/39N** — non ajourée
AR/39 — perforated, **AR/39N** — not perforated
AR/39 — perforiert, **AR/39N** — unperforiert

à utiliser avec des bouchons latéraux **SP39MA, SP39MH**
to be used with side locks **SP39MA, SP39MH**
Wird zusammen mit Arretierstück **SP39MA, SP39MH** verwendet

Résistance au vent conformément à la norme EN13659 Classes of wind load resistance according to EN13659 Windlastklassen laut EN13659	Largeur maximale du tablier, m Max. curtain width, m Max. Breite, m	Surface maximale, m ² Max. curtain surface area, m ² Max. Fläche, m ²
1	3,04	9,12
2	2,82	8,46
3	2,43	7,29
4	2,09	6,26
5	1,82	5,46
6	1,59	4,76

Référence Article Artikel	Code Code Code	Commande standardisée Standard pack Verpackungseinheit
 SP39MAK	313047000	10 jeu/set/Set
*1 jeu/set/Set = 90 pièces/ pcs/ Stk		
 SP39MH	313042000	1000 pièces/pcs/Stk

Poids de 1 ml, kg / Weight per 1 m, kg / Gewicht je lfd.m, kg0,096
Poids de 1 m², kg / Weight per 1 m², kg / Gewicht je m², kg2,46
Nombre de lames au mètre / Number of slats per 1 m of curtain height / Stabbedarf für 1 m Panzerhöhe25,64
Longueur standardisée, m / Standard length, m / Produktionslänge, m6,0
Commande standardisée, m / Standard pack, m / Verpackungseinheit, m240,0

Hauteur maximale du tablier en fonction des options d'assemblage, mm
Max. roller shutter curtain height depending on the assembly option, mm
Max. Panzerhöhe bei verschiedenen Ausstattungsvarianten des Rollladens, mm

Dimension de caisson, mm Shutter box size, mm Typengröße des Blendenkastens, mm	RT40x0,5 / RT40x0,6			RT60x0,6 / RT60x0,8		
	RGM2	RGM3	Attache du tablier + RD40 Retainer spring + RD40 Stahlbandaufhänger + Adapterring RD40	RGM2	RGM3	Attache du tablier+RD60 Retainer spring+RD60 Stahlbandaufhänger + Adapterring RD60
125	-	-	975	-	-	507
137	-	-	1 560	-	-	1 131
150	1 170	-	1 989	936	-	1 872
165	1 911	-	2 418	1 365	-	2 301
180	2 379	-	2 964	2 223	-	2 808
205	3 354	-	4 017	3 237	-	3 861
230	-	4 485	5 538	-	4 329	4 992
250	-	5 733	6 318	-	5 577	6 045

AR/40 (N) | LAME ALU | ALUMINIUM PROFILE | ALUMINIUMPROFIL

Coloris	Colour	Farbe	Code - Code - Code	
			AR/40	AR/40N
blanc	white	weiß	1010201	1010211
brun	brown	braun	1010202	1010212
gris	grey	grau	1010203	1010213
beige	beige	beige	1010204	1010214
alu argenté	silver	silber	1010208	1010218
crème	cream	cremeweiss	1010221	1010231
ivoire claire	light ivory	hellelfenbein	1010223	1010233
brun foncé	dark brown	dunkelbraun	301005122	301006122
anthracite	anthracite	anthrazit	301005113	301006113
vert sapin	green fir	tannengrün	301005115	301006115
bleu foncé	dark blue	dunkelblau	301005126	301006126
rouge pourpre	purple red	purpurrot	301005107	301006107
beige foncé	dark beige	dunkelbeige	301005124	301006124
noir	black	schwarz	301005110	301006110



AR/40 — ajourée, **AR/40N** — non ajourée
AR/40 — perforated, **AR/40N** — not perforated
AR/40 — perforiert, **AR/40N** — unperforiert

Résistance au vent conformément à la norme EN13659 Classes of wind load resistance according to EN13659 Windlastklassen laut EN13659	Largeur maximale du tablier, m Max. curtain width, m Max. Breite, m	Surface maximale, m ² Max. curtain surface area, m ² Max. Fläche, m ²
1	4,03	12,09
2	3,65	10,95
3	3,25	9,75
4	2,54	7,62
5	2,24	6,71
6	1,96	5,88

à utiliser avec le bouchon latéral **SP40**
to be used with side lock **SP40**
Wird zusammen mit Arretierstück **SP40** verwendet

Référence Article / Artikel	Code Code	Commande standardisée / Standard pack / Verpackungseinheit
SP40	1111200	500 pièces/pcs/Stk

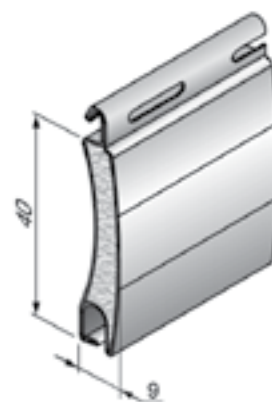
Poids de 1 ml, kg / Weight per 1 m, kg / Gewicht je lfd.m, kg0,128
Poids de 1 m², kg / Weight per 1 m², kg / Gewicht je m², kg3,2
Nombre de lames au mètre / Number of slats per 1 m of curtain height / Stabbedarf für 1 m Panzerhöhe25,00
Longueur standardisée, m / Standard length, m / Produktionslänge, m6,0
Commande standardisée, m / Standard pack, m / Verpackungseinheit, m240,0

Hauteur maximale du tablier en fonction des options d'assemblage, mm
Max. roller shutter curtain height depending on the assembly option, mm
Max. Panzerhöhe bei verschiedenen Ausstattungsvarianten des Rollladens, mm

Dimension de caisson, mm Shutter box size, mm Typengröße des Blendenkastens, mm	RT40x0,5 / RT40x0,6			RT60x0,6 / RT60x0,8			
	RGM2	RGM3	Attache du tablier + RD40 Retainer spring + RD40 Stahlbandaufhänger + Adapterring RD40	RGM2	RGM3	RGM4	Attache du tablier+RD60 Retainer spring+RD60 Stahlbandaufhänger + Adapterring RD60
125	-	-	810	-	-	-	-
137	-	-	1 150	-	-	-	-
150	-	-	1 500	-	-	-	1 300
165	1 350	-	1 900	1 100	-	-	1 750
180	1 800	-	2 400	1 500	-	-	2 200
205	2 700	2 700	3 000	2 450	2 450	-	2 850
230	-	3 720	4 000	-	3 480	-	3 800
250	-	-	-	-	4 250	4 250	4 650

ARH/40 (N) | LAME ALU | ALUMINIUM PROFILE | ALUMINIUMPROFIL

Coloris	Colour	Farbe	Code - Code - Code	
			ARH/40	ARH/40N
blanc	white	weiß	1010401	1010411
brun	brown	braun	1010402	1010412
gris	grey	grau	1010403	1010413
beige	beige	beige	1010404	1010414
crème	cream	cremeweiss	1010421	1010431
ivoire claire	light ivory	hellelfenbein	1010423	1010433
alu argenté	silver	silber	301015108	301016108
brun foncé	dark brown	dunkelbraun	301015122	301016122
anthracite	anthracite	anthrazit	301015113	301016113
vert sapin	green fir	tannengrün	301015115	301016115
bleu foncé	dark blue	dunkelblau	301015126	301016126
rouge pourpre	purple red	purpurrot	301015107	301016107
beige foncé	dark beige	dunkelbeige	301015124	301016124
bleu azuré	azure blue	azurblau	301015116	301016116
bronze	bronze	bronze	301015129	301016129
noir	black	schwarz	301015110	301016110



ARH/40 — ajourée, **ARH/40N** — non ajourée
ARH/40 — perforated, **ARH/40N** — not perforated
ARH/40 — perforiert, **ARH/40N** — unperforiert

à utiliser avec le bouchon latéral **SP40/H**
 to be used with side lock **SP40/H**
 Wird zusammen mit Arretierstück **SP40/H** verwendet

Résistance au vent conformément à la norme EN13659 Classes of wind load resistance according to EN13659 Windlastklassen laut EN13659	Largeur maximale du tablier, m Max. curtain width, m Max. Breite, m	Surface maximale, m ² Max. curtain surface area, m ² Max. Fläche, m ²
1	4,39	13,18
2	3,83	11,50
3	3,35	10,04
4	2,69	8,08
5	2,37	7,11
6	2,16	6,47



Référence Article Artikel	Code Code Code	Description Description Beschreibung	Commande standardisée Standard pack Verpackungseinheit
SP40/H	1111400	avec des détails de fixation with fasteners mit Befestigungselement	500 pièces/ pcs/Stk

Poids de 1 ml, kg / Weight per 1 m, kg / Gewicht je lfd.m, kg0,193
 Poids de 1 m², kg / Weight per 1 m², kg / Gewicht je m², kg 4,83
 Nombre de lames au mètre / Number of slats per 1 m of curtain height / Stabbedarf für 1 m Panzerhöhe25,00
 Longueur standardisée, m / Standard length, m / Produktionslänge, m6,0
 Commande standardisée, m / Standard pack, m / Verpackungseinheit, m240,0

Hauteur maximale du tablier en fonction des options d'assemblage, mm
Max. roller shutter curtain height depending on the assembly option, mm
Max. Panzerhöhe bei verschiedenen Ausstattungsvarianten des Rollladens, mm

Dimension de caisson, mm Shutter box size, mm Typengröße des Blendenkastens, mm	RT40x0,5 / RT40x0,6			RT60x0,6 / RT60x0,8			
	RGM2	RGM3	Attache du tablier + RD40 Retainer spring + RD40 Stahlbandaufhänger + Adapterring RD40	RGM2	RGM3	RGM4	Attache du tablier+RD60 Retainer spring+RD60 Stahlbandaufhänger + Adapterring RD60
125	-	-	810	-	-	-	-
137	-	-	1 150	-	-	-	-
150	-	-	1 500	-	-	-	1 300
165	1 350	-	1 900	1 100	-	-	1 750
180	1 800	-	2 400	1 500	-	-	2 200
205	2 700	2 700	3 000	2 450	2 450	-	2 850
230	-	3 720	4 000	-	3 480	-	3 800
250	-	-	-	-	4 250	4 250	4 650

AR/41 (N) | LAME ALU | ALUMINIUM PROFILE | ALUMINIUMPROFIL

Coloris	Colour	Farbe	Code • Code • Code	
			AR/41	AR/41N
blanc	white	weiß	301021101	301022101
brun	brown	braun	301021102	301022102
gris	grey	grau	301021103	301022103
beige	beige	beige	301021104	301022104
rouge pourpre	purple red	purpurrot	301021107	301022107
alu argenté	silver	silber	301021108	301022108
chêne doré	golden oak	goldene Eiche	301021119	301022119
noir	black	schwarz	301021110	301022110
anthracite	anthracite	anthrazit	301021113	301022113
vert sapin	green fir	tannengrün	301021115	301022115
jaune	yellow	gelb	301021120	301022120
crème	cream	cremeweiss	301021121	301022121
brun foncé	dark brown	dunkelbraun	301021122	301022122
ivoire claire	light ivory	hell elfenbein	301021123	301022123
beige foncé	dark beige	dunkelbeige	301021124	301022124
vert mousse	green moss	moosgrün	301021125	301022125
bleu foncé	dark blue	dunkelblau	301021126	301022126
chêne irlandais	Irish oak	Eiche hell	301021139	301022139
merisier	black cherry	Kirsche	301021149	301022149
noyer	nut	Nussbaum	301021159	301022159



AR/41 — ajourée, AR/41N — non ajourée
AR/41 — perforated, AR/41N — not perforated
AR/41 — perforiert, AR/41N — unperforiert

à utiliser avec le bouchon latéral SPE41
to be used with side lock SPE41
Wird zusammen mit Arretierstück SPE41 verwendet

Résistance au vent conformé-ment à la norme EN13659 Classes of wind load resistance according to EN13659 Windlastklassen laut EN13659	Largeur maximale du tablier, m Max. curtain width, m Max. Breite, m	Surface maximale, m ² Max. curtain surface area, m ² Max. Fläche, m ²
1	3,23	9,69
2	3,01	9,03
3	2,55	7,65
4	2,18	6,54
5	1,94	5,82
6	1,79	5,37

Référence Article Artikel	Code Code Code	Commande standardisée, pièces Standard pack, pcs Verpackungseinheit, Stk
SPE41	1111320	1000

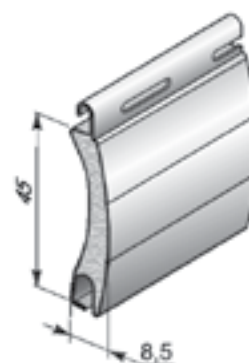
Poids de 1 ml, kg / Weight per 1 m, kg / Gewicht je lfd.m, kg0,104
Poids de 1 m², kg / Weight per 1 m², kg / Gewicht je m², kg2,537
Nombre de lames au mètre / Number of slats per 1 m of curtain height / Stabbedarf für 1 m Panzerhöhe24,39
Longueur standardisée, m / Standard length, m / Produktionslänge, m6,0
Commande standardisée, m / Standard pack, m / Verpackungseinheit, m240,0

Hauteur maximale du tablier en fonction des options d'assemblage, mm
Max. roller shutter curtain height depending on the assembly option, mm
Max. Panzerhöhe bei verschiedenen Ausstattungsvarianten des Rollladens, mm

Dimension de caisson, mm Shutter box size, mm Typengröße des Blendenkastens, mm	RT40×0,5 / RT40×0,6			RT60×0,6 / RT60×0,8			
	RGM2	RGM3	Attache du tablier + RD40 Retainer spring + RD40 Stahlbandaufhänger + Adapting RD40	RGM2	RGM3	RGM4	Attache du tablier+RD60 Retainer spring+RD60 Stahlbandaufhänger + Adapting RD60
125	-	-	830	-	-	-	-
137	-	-	1 100	-	-	-	950
150	-	-	1 450	-	-	-	1 300
165	1 300	-	1 850	1 100	-	-	1 750
180	2 100	-	2 700	1 850	-	-	2 550
205	3 200	3 200	3 300	2 850	2 850	-	3 600
250	-	-	-	-	4 700	4 700	5 300

AR/45 (N) | LAME ALU | ALUMINIUM PROFILE | ALUMINIUMPROFIL

Coloris	Colour	Farbe	Code - Code - Code	
			AR/45	AR/45N
blanc	white	weiß	1010801	1010811
brun	brown	braun	1010802	1010812
gris	grey	grau	1010803	1010813
beige	beige	beige	1010804	1010814
alu argenté	silver	silber	301007108	301008108
crème	cream	cremeweiss	301007121	301008121
brun foncé	dark brown	dunkelbraun	301007122	301008122
anthracite	anthracite	anthrazit	301007113	301008113
ivoire claire	light ivory	hell elfenbein	301007123	301008123
vert mousse	green moss	moosgrün	301007125	301008125
bleu foncé	dark blue	dunkelblau	301007126	301008126
rouge pourpre	purple red	purpurrot	301007107	301008107
beige foncé	dark beige	dunkelbeige	301007124	301008124
chêne doré	golden oak	goldene Eiche	301007119	301008119
merisier	black cherry	Kirsche	301007149	301008149
noyer	nut	Nussbaum	301007159	301008159



AR/45 — ajourée, **AR/45N** — non ajourée
AR/45 — perforated, **AR/45N** — not perforated
AR/45 — perforiert, **AR/45N** — unperforiert

Résistance au vent conformément à la norme EN13659 Classes of wind load resistance according to EN13659 Windlastklassen laut EN13659	Largeur maximale du tablier, m Max. curtain width, m Max. Breite, m	Surface maximale, m ² Max. curtain surface area, m ² Max. Fläche, m ²
1	3,39	10,18
2	3,13	9,39
3	2,63	7,88
4	2,25	6,74
5	1,98	5,94
6	1,83	5,48

à utiliser avec le bouchon latéral **SP45**
to be used with side lock **SP45**
Wird zusammen mit Arretierstück **SP45** verwendet

Référence Article Artikel	Code Code Code	Commande standardisée, pièces Standard pack, pcs Verpackungseinheit, Stk
SP45	1111340	1000

Poids de 1 ml, kg / Weight per 1 m, kg / Gewicht je lfd.m, kg	0,12
Poids de 1 m ² , kg / Weight per 1 m ² , kg / Gewicht je m ² , kg	2,67
Nombre de lames au mètre / Number of slats per 1 m of curtain height / Stabbedarf für 1 m Panzerhöhe	22,22
Longueur standardisée, m / Standard length, m / Produktionslänge, m	6,0
Commande standardisée, m / Standard pack, m / Verpackungseinheit, m	240,0

Hauteur maximale du tablier en fonction des options d'assemblage, mm
Max. roller shutter curtain height depending on the assembly option, mm
Max. Panzerhöhe bei verschiedenen Ausstattungsvarianten des Rollladens, mm

Dimension de caisson, mm Shutter box size, mm Typengröße des Blendenkastens, mm	RT40x0,5 / RT40x0,6			RT60x0,6 / RT60x0,8			RT70x1,2		
	RGM2	RGM3	Attache du tablier + RD40 Retainer spring + RD40 Stahlbandaufhänger + Adapterring RD40	RGM2	RGM3	montage + RD60 Retainer spring + RD60 Stahlbandaufhänger + RD60	RGM2	RGM3	Attache du tablier + RD70 Retainer spring + RD70 Stahlbandaufhänger + RD70
125	-	-	810	-	-	-	-	-	-
137	-	-	1 125	-	-	-	-	-	-
150	-	-	1 485	-	-	1 260	-	-	-
165	1 620	-	1 890	1 350	-	1 710	1 080	-	1 305
180	2 025	-	2 385	1 800	-	2 340	1 530	-	1 755
205	-	3 060	3 420	-	2 340	3 330	-	2 025	2 745
250	-	-	-	-	-	-	-	4 365	5 085

AR/52 (N) | LAME ALU | ALUMINIUM PROFILE | ALUMINIUMPROFIL

Coloris	Colour	Farbe	Code - Code - Code	
			AR/52	AR/52N
blanc	white	weiß	301025101	301026101
brun	brown	braun	301025102	301026102
gris	grey	grau	301025103	301026103
beige	beige	beige	301025104	301026104
rouge pourpre	purple red	purpurrot	301025107	301026107
alu argenté	silver	silber	301025108	301026108
noir	black	schwarz	301025110	301026110
anthracite	anthracite	anthrazit	301025113	301026113
vert sapin	green fir	tannengrün	301025115	301026115
crème	cream	cremeweiss	301025121	301026121
brun foncé	dark brown	dunkelbraun	301025122	301026122
ivoire claire	light ivory	hellelfenbein	301025123	301026123
beige foncé	dark beige	dunkelbeige	301025124	301026124
bleu foncé	dark blue	dunkelblau	301025126	301026126
bronze	bronze	bronze	301025129	301026129
chêne doré	golden oak	goldene Eiche	301025119	301026119
chêne irlandais	Irish oak	Eiche hell	301025139	301026139
merisier	black cherry	Kirsche	301025149	301026149
noyer	nut	Nussbaum	301025159	301026159
gris quartz	quarz grey	quarzgrau	301025153	301026153



AR/52 — ajourée, **AR/52N** — non ajourée
AR/52 — perforated, **AR/52N** — not perforated
AR/52 — perforiert, **AR/52N** — unperforiert

à utiliser avec le bouchon latéral **SP52**
to be used with side lock **SP52**
Wird zusammen mit Arretierstück **SP52** verwendet

Résistance au vent conformément à la norme EN13659 Classes of wind load resistance according to EN13659 Windlastklassen laut EN13659	Largeur maximale du tablier, m Max. curtain width, m Max. Breite, m	Surface maximale, m ² Max. curtain surface area, m ² Max. Fläche, m ²
1	4,80	12,48
2	4,23	11,00
3	3,64	9,45
4	3,06	7,96
5	2,66	6,92
6	2,31	5,99



Référence Article Artikel	Code Code Code	Commande standardisée, pièces Standard pack, pcs Verpackungseinheit, Stk
SP52	313016000	500

Poids de 1 ml, kg / Weight per 1 m, kg / Gewicht je lfd.m, kg0,156
Poids de 1 m², kg / Weight per 1 m², kg / Gewicht je m², kg2,964
Nombre de lames au mètre / Number of slats per 1 m of curtain height / Stabbedarf für 1 m Panzerhöhe 19,0
Longueur standardisée, m / Standard length, m / Produktionslänge, m6,0
Commande standardisée, m / Standard pack, m / Verpackungseinheit, m120,0

Hauteur maximale du tablier en fonction des options d'assemblage, mm

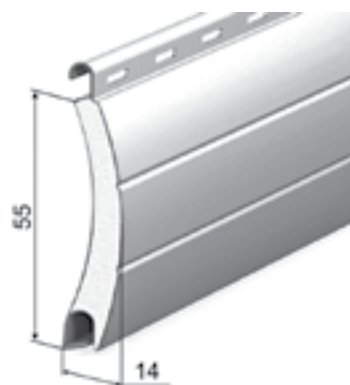
Max. roller shutter curtain height depending on the assembly option, mm

Max. Panzerhöhe bei verschiedenen Ausstattungsvarianten des Rollladens, mm

Dimension de caisson, mm Shutter box size, mm Typengröße des Blendenkastens, mm	RT60×0,6 / RT60×0,8				RT70×1,2			
	RGM2	RGM3	RGM4	Attache du tablier + RD60 Retainer spring + RD60 Stahlbandaufhänger + Adapterring RD60	RGM2	RGM3	RGM4	Attache du tablier + RD70 Retainer spring + RD70 Stahlbandaufhänger + Adapterring RD70
150	936	–	–	936	676	–	–	936
165	1 352	–	–	1 612	1 092	–	–	1 352
180	1 456	–	–	2 028	1 144	–	–	1 820
205	2 340	2 340	–	2 652	2 080	2 080	–	2 496
230	–	2964	–	3224	–	2704	–	3120
250	–	3 588	3 588	3 900	–	3 328	3 328	3 952
300	–	5 772	5 772	5 408	–	5 460	5 460	5 928

AR/555 (N) | LAME ALU | ALUMINIUM PROFILE | ALUMINIUMPROFIL

Coloris	Colour	Farbe	Code • Code • Code	
			AR/555	AR/555N
blanc	white	weiß	302033101	302034101
brun	brown	braun	302033102	302034102
gris	grey	grau	302033103	302034103
beige	beige	beige	302033104	302034104
alu argenté	silver	silber	302033108	302034108
noir	black	schwarz	302033110	302034110
anthracite	anthracite	anthrazit	302033113	302034113
vert sapin	green fir	tannengrün	302033115	302034115
crème	cream	cremeweiss	302033121	302034121
brun foncé	dark brown	dunkelbraun	302033122	302034122
ivoire claire	light ivory	hellelfenbein	302033123	302034123
beige foncé	dark beige	dunkelbeige	302033124	302034124



Résistance au vent conformément à la norme EN13659 Classes of wind load resistance according to EN13659 Windlastklassen laut EN13659	Largeur maximale du tablier, m Max. curtain width, m Max. Breite, m	Surface maximale, m ² Max. curtain surface area, m ² Max. Fläche, m ²
1	5,10	12,75
2	4,50	11,25
3	4,06	10,15
4	3,30	8,25
5	2,90	7,25
6	2,50	6,25

AR/555 — ajourée, AR/555N — non ajourée
AR/555 — perforated, AR/555N — not perforated
AR/555 — perforiert, AR/555N — unperforiert

à utiliser avec des bouchons latéraux SP555MA, SP555MH
to be used with side locks SP555MA, SP555MH

Wird zusammen mit Arretierstück SP555MA, SP555MH verwendet

Résistance au vent conformément à la norme EN12424 Classes of wind load resistance according to EN12424 Windlastklassen laut EN12424	Largeur maximale du tablier, m Max. curtain width, m Max. Breite, m	Surface maximale, m ² Max. curtain surface area, m ² Max. Fläche, m ²
1	2,78	6,95
2	2,31	5,78
3	2,02	5,05
4	1,81	4,53

Référence Article / Artikel	Code Code	Commande standardisée / Standard pack / Verpackungseinheit
SP555MA	313043000	500 pièces/pcs/Stk
SP555MAK	313048000	10 jeu/set/Set

*1 jeu/set/Set = 70 pièces/ pcs/ Stk



SP555MH	313044000	500 pièces/pcs/Stk
---------	-----------	--------------------

Poids de 1 ml, kg / Weight per 1 m, kg / Gewicht je lfd.m, kg0,183
 Poids de 1 m², kg / Weight per 1 m², kg / Gewicht je m², kg3,33
 Nombre de lames au mètre / Number of slats per 1 m of curtain height / Stabbedarf für 1 m Panzerhöhe18,18
 Longueur standardisée, m / Standard length, m / Produktionslänge, m6,0
 Commande standardisée, m / Standard pack, m / Verpackungseinheit, m126,0

Hauteur maximale du tablier en fonction des options d'assemblage, mm

Max. roller shutter curtain height depending on the assembly option, mm

Max. Panzerhöhe bei verschiedenen Ausstattungsvarianten des Rollladens, mm

Dimension de caisson, mm Shutter box size, mm Typengröße des Blendenkastens, mm	RT60×0,6 / RT60×0,8				RT70×1,2			
	RG2	RG3	RG4	Attache du tablier + RD60 Retainer spring + RD60 Stahlbandaufhänger + Adapterring RD60	RG2	RG3	RG4	Attache du tablier + RD70 Retainer spring + RD70 Stahlbandaufhänger + Adapterring RD70
180	1 430	–	–	1 760	1 155	–	–	1 430
205	1 925	–	–	2 310	1 650	–	–	2 365
230	3 080	–	–	2 915	2 255	–	–	2 915
250	3 740	3 740	–	3 740	3 465	3 465	–	3 630
300	–	5 610	5 610	5 665	–	5 280	5 280	5 665

AR/55 (N) | LAME ALU | ALUMINIUM PROFILE | ALUMINIUMPROFIL

Coloris	Colour	Farbe	Code • Code • Code	
			AR/55	AR/55N
blanc	white	weiß	1010101	1010111
brun	brown	braun	1010102	1010112
gris	grey	grau	1010103	1010113
beige	beige	beige	1010104	1010114
alu argenté	silver	silber	301009108	301010108
blanc crème	cream	cremeweiss	1010121	1010131
brun foncé	dark brown	dunkelbraun	301009122	301010122
vert sapin	green fir	tannengrün	301009115	301010115
ivoire claire	light ivory	hellelfenbein	301009123	301010123
beige foncé	dark beige	dunkelbeige	301009124	301010124
bronze	bronze	bronze	301009129	301010129
noir	black	schwarz	301009110	301010110
anthracite	anthracite	anthrazit	301009113	301010113



AR/55 — ajourée, **AR/55N** — non ajourée
AR/55 — perforated, **AR/55N** — not perforated
AR/55 — perforiert, **AR/55N** — unperforiert

Résistance au vent conformément à la norme EN13659 Classes of wind load resistance according to EN13659 Windlastklassen laut EN13659	Largeur maximale du tablier, m Max. curtain width, m Max. Breite, m	Surface maximale, m ² Max. curtain surface area, m ² Max. Fläche, m ²
1	4,97	12,43
2	4,37	10,91
3	3,75	9,38
4	3,22	8,05
5	2,80	7,00
6	2,43	6,08

à utiliser avec le bouchon latéral **SP55**
to be used with side lock **SP55**
Wird zusammen mit Arretierstück **SP55** verwendet

Référence Article Artikel	Code Code Code	Commande standardisée, pièces Standard pack, pcs Verpackungseinheit, Stk
SP55	1111300	500

Poids de 1 ml, kg / Weight per 1 m, kg / Gewicht je lfd.m, kg0,198
Poids de 1 m², kg / Weight per 1 m², kg / Gewicht je m², kg3,6
Nombre de lames au mètre / Number of slats per 1 m of curtain height / Stabbedarf für 1 m Panzerhöhe18,18
Longueur standardisée, m / Standard length, m / Produktionslänge, m6,0
Commande standardisée, m / Standard pack, m / Verpackungseinheit, m120,0

Hauteur maximale du tablier en fonction des options d'assemblage, mm

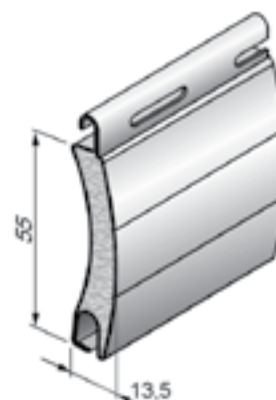
Max. roller shutter curtain height depending on the assembly option, mm

Max. Panzerhöhe bei verschiedenen Ausstattungsvarianten des Rollladens, mm

Dimension de caisson, mm Shutter box size, mm Typengröße des Blendenkastens, mm	RT60x0,6 / RT60x0,8				RT70x1,2			
	RG2	RG3	RG4	Attache du tablier + RD60 Retainer spring + RD60 Stahlbandaufhänger + Adapterring RD60	RG2	RG3	RG4	Attache du tablier + RD70 Retainer spring + RD70 Stahlbandaufhänger + Adapterring RD70
180	1 250	–	–	1 045	–	–	–	–
205	1 900	1 900	–	2 000	1 300	1 300	–	1 925
230	–	2 420	–	2 475	2 310	2 310	–	2 585
250	–	3 050	3 050	3 200	–	3 000	3 000	3 190
300	–	4 950	4 950	4 750	–	4 550	4 550	4 675

ARH/55 (N) | LAME ALU | ALUMINIUM PROFILE | ALUMINIUMPROFIL

Coloris	Colour	Farbe	Code • Code • Code	
			ARH/55	ARH/55N
blanc	white	weiß	1010301	1010311
brun	brown	braun	1010302	1010312
gris	grey	grau	1010303	1010313
beige	beige	beige	1010304	1010314
crème	cream	cremeweiss	1010321	1010331
alu argenté	silver	silber	301019108	301020108
vert sapin	green fir	tannengrün	301019115	301020115
brun foncé	dark brown	dunkelbraun	301019122	301020122
ivoire claire	light ivory	hell elfenbein	301019123	301020123
beige foncé	dark beige	dunkelbeige	301019124	301020124
bronze	bronze	bronze	301019129	301020129



ARH/55 — ajourée, **ARH/55N** — non ajourée
ARH/55 — perforated, **ARH/55N** — not perforated
ARH/55 — perforiert, **ARH/55N** — unperforiert

à utiliser avec le bouchon latéral **SP55/H**
 to be used with side lock **SP55/H**
 Wird zusammen mit Arretierstück **SP55/H** verwendet

Résistance au vent conformément à la norme EN13659 Classes of wind load resistance according to EN13659 Windlastklassen laut EN13659	Largeur maximale du tablier, m Max. curtain width, m Max. Breite, m	Surface maximale, m ² Max. curtain surface area, m ² Max. Fläche, m ²
1	5,51	13,78
2	5,24	13,09
3	4,63	11,56
4	3,87	9,66
5	3,20	8,00
6	2,74	6,84

Référence Article Artikel	Code Code Code	Description Description Beschreibung	Commande standardisée, pièces Standard pack, pcs Verpackungseinheit, Set
SP55/H	1111500	avec des détails de fixation with fasteners mit Befestigungselement	500

Poids de 1 ml, kg / Weight per 1 m, kg / Gewicht je lfd.m, kg0,318
 Poids de 1 m², kg / Weight per 1 m², kg / Gewicht je m², kg5,78
 Nombre de lames au mètre / Number of slats per 1 m of curtain height / Stabbedarf für 1 m Panzerhöhe18,18
 Longueur standardisée, m / Standard length, m / Produktionslänge, m6,0
 Commande standardisée, m / Standard pack, m / Verpackungseinheit, m120,0

Hauteur maximale du tablier en fonction des options d'assemblage, mm

Max. roller shutter curtain height depending on the assembly option, mm

Max. Panzerhöhe bei verschiedenen Ausstattungsvarianten des Rollladens, mm

Dimension de caisson, mm Shutter box size, mm Typengröße des Blendenkastens, mm	RT60×0,6 / RT60×0,8				RT70×1,2			
	RG2	RG3	RG4	Attache du tablier + RD60 Retainer spring + RD60 Stahlbandaufhänger + Adapterring RD60	RG2	RG3	RG4	Attache du tablier + RD70 Retainer spring + RD70 Stahlbandaufhänger + Adapterring RD70
180	1 250	–	–	1 045	–	–	–	–
205	1 900	1 900	–	2 000	1 300	1 300	–	1 925
230	–	2 420	–	2 475	2 310	2 310	–	2 585
250	–	3 050	3 050	3 200	–	3 000	3 000	3 190
300	–	4 950	4 950	4 750	–	4 550	4 550	4 675

AR/55m (N) | LAME ALU | ALUMINIUM PROFILE | ALUMINIUMPROFIL

Coloris	Colour	Farbe	Code - Code - Code	
			AR/55m	AR/55mN
blanc	white	weiß	301023101	301024101
brun	brown	braun	301023102	301024102
gris	grey	grau	301023103	301024103
beige	beige	beige	301023104	301024104
alu argenté	silver	silber	301023108	301024108
blanc crème	cream	cremeweiss	301023121	301024121
ivoire claire	light ivory	hellelfenbein	301023123	301024123
brun foncé	dark brown	dunkelbraun	301023122	301024122
anthracite	anthracite	anthrazit	301023113	301024113
vert sapin	green fir	tannengrün	301023115	301024115
bleu foncé	dark blue	dunkelblau	301023126	301024126
rouge pourpre	purple red	purpurrot	301023107	301024107
bronze	bronze	bronze	301023129	301024129
merisier	black cherry	Kirsche	302033149	302034149
noyer	nut	Nussbaum	302033159	302034159
noir	black	schwarz	301023110	301024110
chêne doré	golden oak	goldene Eiche	301023119	301024119



AR/55m — ajourée, **AR/55mN** — non ajourée
AR/55m — perforated, **AR/55mN** — not perforated
AR/55m — perforiert, **AR/55mN** — unperforiert

à utiliser avec le bouchon latéral **SPE55**
to be used with side lock **SPE55**
Wird zusammen mit Arretierstück **SPE55** verwendet

Résistance au vent conformément à la norme EN13659 Classes of wind load resistance according to EN13659 Windlastklassen laut EN13659	Largeur maximale du tablier, m Max. curtain width, m Max. Breite, m	Surface maximale, m ² Max. curtain surface area, m ² Max. Fläche, m ²
1	4,45	13,35
2	3,90	11,70
3	3,36	10,08
4	2,85	8,55
5	2,44	7,32
6	2,17	6,51



Référence Article Artikel	Code Code Code	Commande standardisée, pièces Standard pack, pcs Verpackungseinheit, Stk
SPE55	1111330	500

Poids de 1 ml, kg / Weight per 1 m, kg / Gewicht je lfd.m, kg0,157
Poids de 1 m², kg / Weight per 1 m², kg / Gewicht je m², kg 2,85
Nombre de lames au mètre / Number of slats per 1 m of curtain height / Stabbedarf für 1 m Panzerhöhe 18,18
Longueur standardisée, m / Standard length, m / Produktionslänge, m6,0
Commande standardisée, m / Standard pack, m / Verpackungseinheit, m 120,0

Hauteur maximale du tablier en fonction des options d'assemblage, mm

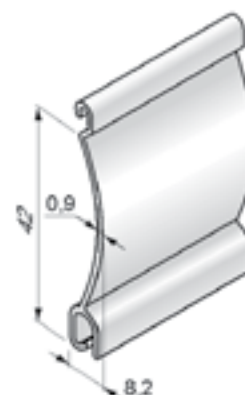
Max. roller shutter curtain height depending on the assembly option, mm

Max. Panzerhöhe bei verschiedenen Ausstattungsvarianten des Rollladens, mm

Dimension de caisson, mm Shutter box size, mm Typengröße des Blendenkastens, mm	RT60x0,6 / RT60x0,8				RT70x1,2			
	RGM2	RGM3	RGM4	Attache du tablier + RD60 Retainer spring + RD60 Stahlbandaufhänger + Adapterring RD60	RGM2	RGM3	RGM4	Attache du tablier + RD70 Retainer spring + RD70 Stahlbandaufhänger + Adapterring RD70
165	1045	-	-	990	770	-	-	1265
180	1485	-	-	1485	1210	-	-	1925
205	2475	2475	-	2365	1705	1705	-	2750
230	3135	3135	-	3465	2255	2255	-	3630
250	-	3740	3740	4180	-	4015	4015	4345

AER42 | LAME ALU EXTRUDÉE | EXTRUDED ALUMINIUM PROFILE | STRANGGEPRESSTES ALUMINIUMPROFIL

Coloris	Colour	Farbe	Surface structurée	Surface lisse
			Shagreen Oberfläche strukturiert	Gloss Oberfläche glänzend
			Code • Code • Code	
brut	mill-finished	blank	1020300	
blanc	white	weiß	1020301	302003201
brun	brown	braun	1020302	302003202
gris	grey	grau	1020303	302003203
beige	beige	beige	1020304	302003204
alu argenté	silver	silber	302003108	302003208
crème	cream	cremeweiss	–	302003221
brun foncé	dark brown	dunkelbraun	302003122	302003222
anthracite	anthracite	anthrazit	–	302003213
vert sapin	green fir	tannengrün	–	302003215
ivoire claire	light ivory	hellelfenbein	–	302003223
vert mousse	green moss	moosgrün	–	302003225
bleu foncé	dark blue	dunkelblau	–	302003226
rouge pourpre	purple red	purpurrot	–	302003207
beige foncé	dark beige	dunkelbeige	–	302003224
bleu azuré	azure blue	azurblau	–	302003216
bronze	bronze	bronze	–	302003229
jaune	yellow	gelb	–	302003220
bleu ciel	sky blue	himmelblau	–	302003206
noir	black	schwarz	–	302003210



Épaisseur du paroi, mm / Wall width, mm / Materialstärke, mm	0,9
Poids de 1 ml, kg / Weight per 1 m, kg / Gewicht je lfd.m, kg	0,182
Poids de 1 m ² , kg / Weight per 1 m ² , kg / Gewicht je m ² , kg	4,28
Nombre de lames au mètre / Number of slats per 1 m of curtain height / Stabbedarf für 1 m Panzerhöhe	23,50
Largeur maximale du tablier, m / Max. curtain width, m / Maximalbreite, m	2,5
Surface maximale, m ² / Max. curtain surface area, m ² / Maximalfläche, m ²	6,0
Longueur standardisée, m / Standard length, m / Produktionslänge, m	6,0
Commande standardisée, m / Standard pack, m / Verpackungseinheit, m	96,0

Hauteur maximale du tablier en fonction des options d'assemblage, mm
Max. roller shutter curtain height depending on the assembly option, mm
Max. Panzerhöhe bei verschiedenen Ausstattungsvarianten des Rollladens, mm

Dimension de caisson, mm Shutter box size, mm Typengröße des Blendenkastens, mm	RT40×0,5 / RT40×0,6			RT60×0,6 / RT60×0,8			
	RGM2	RGM3	Attache du tablier + RD40 Retainer spring + RD40 Stahlbandaufhänger + Adapting RD40	RGM2	RGM3	RGM4	Attache du tablier+RD60 Retainer spring+RD60 Stahlbandaufhänger + Adapting RD60
137	–	–	1 350	–	–	–	1 200
150	–	–	2 050	–	–	–	1 650
165	1 950	–	2 450	1 800	–	–	2 300
180	2 400	–	3 000	2 250	–	–	2 850
205	3 450	3 450	4 500	3 750	3 750	–	4 350
250	–	–	–	–	6 250	6 250	6 550

AER44m/S | LAME ALU EXTRUDÉE | EXTRUDED ALUMINIUM PROFILE | STRANGGEPRESSTES ALUMINIUMPROFIL

Coloris	Colour	Farbe	Surface lisse
			Gloss Oberfläche glänzend Code • Code • Code
brut	mill-finished	blank	302035100
blanc	white	weiß	302035101
brun	brown	braun	302035102
gris	grey	grau	302035103
beige	beige	beige	302035104
alu argenté	silver	silber	302035108
brun foncé	dark brown	dunkelbraun	302035122



Résistance au vent conformément à la norme EN13659 Classes of wind load resistance according to EN13659 Windlastklassen laut EN13659	Largeur maximale du tablier, m Max. curtain width, m Max. Breite, m	Surface maximale, m ² Max. curtain surface area, m ² Max. Fläche, m ²
1	3,82	11,46
2	3,57	10,70
3	3,00	9,00
4	2,66	7,98
5	2,35	7,05
6	2,10	6,30

à utiliser avec le bouchon latéral **SP44/S**

to be used with side lock **SP44/S**

Wird zusammen mit Arretierstück **SP44/S** verwendet

Référence Article Artikel	Code Code Code	Commande standardisée, pièces Standard pack, pcs Verpackungseinheit, Stk
SP44/S	1111610	600

Épaisseur du paroi, mm / Wall width, mm / Materialstärke, mm	0,8
Poids de 1 ml, kg / Weight per 1 m, kg / Gewicht je lfd.m, kg	0,234
Poids de 1 m ² , kg / Weight per 1 m ² , kg / Gewicht je m ² , kg	5,3
Nombre de lames au mètre / Number of slats per 1 m of curtain height / Stabbedarf für 1 m Panzerhöhe	22,7
Longueur standardisée, m / Standard length, m / Produktionslänge, m	6,0
Commande standardisée, m / Standard pack, m / Verpackungseinheit, m	96,0

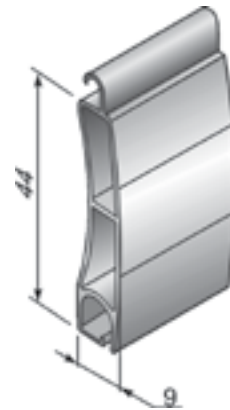
Hauteur maximale du tablier en fonction des options d'assemblage, mm
Max. roller shutter curtain height depending on the assembly option, mm
Max. Panzerhöhe bei verschiedenen Ausstattungsvarianten des Rollladens, mm

Dimension de caisson, mm Shutter box size, mm Typengröße des Blendenkastens, mm	RT40×0,5 / RT40×0,6				RT60×0,6 / RT60×0,8				
	AER44F + RD40	RGM2	RGM3	Attache du tablier + RD40 Retainer spring + RD40 Stahlbandaufhänger + Adapterring RD40	AER44F + RD60	RGM2	RGM3	RGM4	Attache du tablier + RD60 Retainer spring + RD60 Stahlbandaufhänger + Adapterring RD60
137	1 150	-	-	1 150	-	-	-	-	-
150	1 240	-	-	1 240	1 328	-	-	-	1 020
165	1 590	1 320	-	1 590	1 718	1 110	-	-	1 410
180	2 120	1 760	1 760	2 120	2 332	1 540	-	-	2 200
205	3 440	2 780	2 780	3 440	3 260	2 730	2 730	-	3 260
230	-	-	-	-	4 400	4 048	4 048	-	4 356
250	-	-	-	-	5 240	-	4 840	4 840	5 240

Dimension de caisson, mm Shutter box size, mm Typengröße des Blendenkastens, mm	RT70×1,2				RT102×2,5		
	AER44F + RD70	RGM2	RGM3	RGM4	Attache du tablier + RD70 Retainer spring + RD70 Stahlbandaufhänger + Adapterring RD70	AER44F + RD102	Attache du tablier + RD102 Retainer spring + RD102 Stahlbandaufhänger + Adapterring RD102
180	2 288	-	-	-	2 200	1 628	1 452
205	2 860	2 250	2 250	-	2 860	2 728	2 508
230	4 004	3 520	3 520	-	3 960	3 476	-
250	5 326	-	4 620	4 620	4 710	4 796	4 268
300	-	-	-	-	-	7 304	5 720

AER44/S | LAME ALU EXTRUDÉE | EXTRUDED ALUMINIUM PROFILE | STRANGGEPRESSTES ALUMINIUMPROFIL

Coloris	Colour	Farbe	Surface structurée	Surface lisse
			Shagreen Oberfläche strukturiert	Gloss Oberfläche glänzend
Code • Code • Code				
brut	mill-finished	blank	1020400	
blanc	white	weiß	1020401	302001201
brun	brown	braun	1020402	302001202
gris	grey	grau	1020403	302001203
beige	beige	beige	1020404	302001204
alu argenté	silver	silber	1020408	302001208
crème	cream	cremeweiss	-	302001221
brun foncé	dark brown	dunkelbraun	302001122	302001222
anthracite	anthracite	anthrazit	-	302001213
vert sapin	green fir	tannengrün	-	302001215
ivoire claire	light ivory	hellelfenbein	-	302001223
vert mousse	green moss	moosgrün	-	302001225
bleu foncé	dark blue	dunkelblau	-	302001226
rouge pourpre	purple red	purpurrot	-	302001207
beige foncé	dark beige	dunkelbeige	-	302001224
bleu azuré	azure blue	azurblau	-	302001216
bronze	bronze	bronze	-	302001229
jaune	yellow	gelb	-	302001220
bleu ciel	sky blue	himmelblau	-	302001206
noir	black	schwarz	-	302001210



Anodisation • Anodized coating • Eloxalbeschichtung

Coloris	Colour	Farbe	Code • Code • Code
alu argenté	silver	silber	1020430
bronze	bronze	bronze	1020433
champagne	champagne	champagner	1020437

Résistance au vent conformément à la norme EN13659 Classes of wind load resistance according to EN13659 Windlastklassen laut EN13659	Largeur maximale du tablier, m Max. curtain width, m Max. Breite, m	Surface maximale, m ² Max. curtain surface area, m ² Max. Fläche, m ²
1	4,26	12,78
2	3,95	11,85
3	3,36	10,08
4	2,80	8,39
5	2,48	7,44
6	2,25	6,75

à utiliser avec le bouchon latéral **SP44/S**

to be used with side lock **SP44/S**

Wird zusammen mit Arretierstück **SP44/S** verwendet

Référence Article Artikel	Code Code Code	Commande standardisée, pièces Standard pack, pcs Verpackungseinheit, Stk
SP44/S	1111610	600

Épaisseur du paroi, mm / Wall width, mm / Materialstärke, mm	1,0
Poids de 1 ml, kg / Weight per 1 m, kg / Gewicht je lfd.m, kg	0,276
Poids de 1 m ² , kg / Weight per 1 m ² , kg / Gewicht je m ² , kg	6,27
Nombre de lames au mètre / Number of slats per 1 m of curtain height / Stabbedarf für 1 m Panzerhöhe	22,73
Longueur standardisée, m / Standard length, m / Produktionslänge, m	6,0
Commande standardisée, m / Standard pack, m / Verpackungseinheit, m	96,0

Hauteur maximale du tablier en fonction des options d'assemblage, mm
Max. roller shutter curtain height depending on the assembly option, mm
Max. Panzerhöhe bei verschiedenen Ausstattungsvarianten des Rollladens, mm

Dimension de caisson, mm Shutter box size, mm Typengröße des Blendenkastens, mm	RT40x0,5 / RT40x0,6				RT60x0,6 / RT60x0,8				
	AER44F + RD40	RGM2	RGM3	Attache du tablier + RD40 Retainer spring + RD40 Stahlbandaufhänger + Adapterring RD40	AER44F + RD60	RGM2	RGM3	RGM4	Attache du tablier + RD60 Retainer spring + RD60 Stahlbandaufhänger + Adapterring RD60
137	1 150	-	-	1 150	-	-	-	-	-
150	1 240	-	-	1 240	1 328	-	-	-	1 020
165	1 590	1 320	-	1 590	1 718	1 110	-	-	1 410
180	2 120	1 760	1 760	2 120	2 332	1 540	-	-	2 200
205	3 440	2 780	2 780	3 440	3 260	2 730	2 730	-	3 260
230	-	-	-	-	4 400	4 048	4 048	-	4 356
250	-	-	-	-	5 240	-	4 840	4 840	5 240

Dimension de caisson, mm Shutter box size, mm Typengröße des Blendenkastens, mm	RT70x1,2				RT102x2,5		
	AER44F + RD70	RGM2	RGM3	RGM4	Attache du tablier + RD70 Retainer spring + RD70 Stahlbandaufhänger + Adapterring RD70	AER44F + RD102	Attache du tablier + RD102 Retainer spring + RD102 Stahlbandaufhänger + Adapterring RD102
180	2 288	-	-	-	2 200	1 628	1 452
205	2 860	2 250	2 250	-	2 860	2 728	2 508
230	4 004	3 520	3 520	-	3 960	3 476	-
250	5 326	-	4 620	4 620	4 710	4 796	4 268
300	-	-	-	-	-	7 304	5 720

AER55/S | LAME ALU EXTRUDÉE | EXTRUDED ALUMINIUM PROFILE | STRANGGEPRESSTES ALUMINIUMPROFIL

Coloris	Colour	Farbe	Surface structurée	Surface lisse
			Shagreen Oberfläche strukturiert	Gloss Oberfläche glänzend
Code • Code • Code				
brut	mill-finished	blank	1020200	
blanc	white	weiß	1020201	302002201
brun	brown	braun	1020202	302002202
gris	grey	grau	1020203	302002203
beige	beige	beige	1020204	302002204
alu argenté	silver	silber	1020208	302002208
crème	cream	cremeweiss	-	302002221
brun foncé	dark brown	dunkelbraun	302002122	302002222
anthracite	anthracite	anthrazit	-	302002213
vert sapin	green fir	tannengrün	-	302002215
ivoire claire	light ivory	hellelfenbein	-	302002223
vert mousse	green moss	moosgrün	-	302002225
bleu foncé	dark blue	dunkelblau	-	302002226
rouge pourpre	purple red	purpurrot	-	302002207
beige foncé	dark beige	dunkelbeige	-	302002224
bleu azuré	azure blue	azurblau	-	302002216
bronze	bronze	bronze	-	302002229
jaune	yellow	gelb	-	302002220
bleu ciel	sky blue	himmelblau	-	302002206
noir	black	schwarz	-	302002210



Anodisation • Anodized coating • Eloxalbeschichtung

Coloris	Colour	Farbe	Code • Code • Code
alu argenté	silver	silber	1020230
bronze	bronze	bronze	1020233
champagne	champagne	champagner	1020237

Résistance au vent conformément à la norme EN13659 Classes of wind load resistance according to EN13659 Windlastklassen laut EN13659	Largeur maximale du tablier, m Max. curtain width, m Max. Breite, m	Surface maximale, m ² Max. curtain surface area, m ² Max. Fläche, m ²
1	6,0	15,0
2	5,63	14,08
3	5,33	13,33
4	4,55	11,36
5	3,86	9,65
6	3,35	8,36

à utiliser avec le bouchon latéral **SP55/S**

to be used with side lock **SP55/S**

Wird zusammen mit Arretierstück **SP55/S** verwendet

Référence Article Artikel	Code Code Code	Commande standardisée, pièces Standard pack, pcs Verpackungseinheit, Stk
SP55/S	1111700	500

Épaisseur du paroi, mm / Wall width, mm / Materialstärke, mm	1,0
Poids de 1 ml, kg / Weight per 1 m, kg / Gewicht je lfd.m, kg	0,444
Poids de 1 m ² , kg / Weight per 1 m ² , kg / Gewicht je m ² , kg	8,08
Nombre de lames au mètre / Number of slats per 1 m of curtain height / Stabbedarf für 1 m Panzerhöhe	18,2
Longueur standardisée, m / Standard length, m / Produktionslänge, m	6,0
Commande standardisée, m / Standard pack, m / Verpackungseinheit, m	60,0

Hauteur maximale du tablier en fonction des options d'assemblage, mm

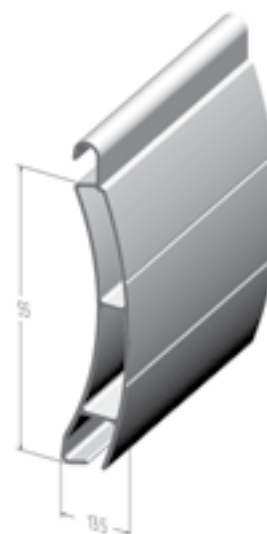
Max. roller shutter curtain height depending on the assembly option, mm

Max. Panzerhöhe bei verschiedenen Ausstattungsvarianten des Rollladens, mm

Dimension de caisson, mm Shutter box size, mm Typengröße des Blendenkastens, mm	RT60×0,6 / RT60×0,8				RT70×1,2				RT102×2,5
	RG2	RG3	RG4	Attache du tablier + RD60 Retainer spring + RD60 Stahlbandaufhänger + Adapterring RD60	RG2	RG3	RG4	Attache du tablier + RD70 Retainer spring + RD70 Stahlbandaufhänger + Adapterring RD70	Attache du tablier + RD102 Retainer spring + RD102 Stahlbandaufhänger + Adapterring RD102
165	800	-	-	750	-	-	-	-	-
180	1 150	-	-	1 100	-	-	-	-	-
205	1 850	1 850	-	2 000	1 700	1 700	-	1 850	-
230	-	2 475	-	2 640	-	2 255	-	2 585	1 925
250	-	3 100	3 100	3 200	-	3 000	3 000	3 350	2 530
300	-	4 950	4 950	4 850	-	4 600	4 600	5 150	4 015

AER55m/S | LAME ALU EXTRUDÉE | EXTRUDED ALUMINIUM PROFILE | STRANGGEPRESSTES ALUMINIUMPROFIL

Coloris	Colour	Farbe	Surface structurée	Surface lisse
			Shagreen Oberfläche strukturiert	Gloss Oberfläche glänzend
Code • Code • Code				
brut	mill-finished	blank	302005100	
blanc	white	weiß	302005101	302005201
brun	brown	braun	302005102	302005202
gris	grey	grau	302005103	302005203
beige	beige	beige	302005104	302005204
alu argenté	silver	silber	302005108	302005208
crème	cream	cremeweiss	-	302005221
brun foncé	dark brown	dunkelbraun	302005122	302005222
anthracite	anthracite	anthrazit	-	302005213
vert sapin	green fir	tannengrün	-	302005215
ivoire claire	light ivory	hell elfenbein	-	302005223
vert mousse	green moss	moosgrün	-	302005225
bleu foncé	dark blue	dunkelblau	-	302005226
rouge pourpre	purple red	purpurrot	-	302005207
beige foncé	dark beige	dunkelbeige	-	302005224
bleu azuré	azure blue	azurblau	-	302005216
bronze	bronze	bronze	-	302005229
jaune	yellow	gelb	-	302005220
bleu ciel	sky blue	himmelblau	-	302005206
noir	black	schwarz	-	302005210



à utiliser avec le bouchon latéral **SP55/S**
to be used with side lock **SP55/S**

Wird zusammen mit Arretierstück **SP55/S** verwendet

Résistance au vent conformément à la norme EN13659 Classes of wind load resistance according to EN13659 Windlastklassen laut EN13659	Largeur maximale du tablier, m Max. curtain width, m Max. Breite, m	Surface maximale, m ² Max. curtain surface area, m ² Max. Fläche, m ²
1	5,68	14,2
2	5,57	13,93
3	4,94	12,35
4	3,92	9,8
5	3,23	8,08
6	2,89	7,23

Référence Article Artikel	Code Code Code	Commande standardisée, pièces Standard pack, pcs Verpackungseinheit, Stk
SP55m/S	313054000	500

Épaisseur du paroi, mm / Wall width, mm / Materialstärke, mm0,8
 Poids de 1 ml, kg / Weight per 1 m, kg / Gewicht je lfd.m, kg0,338
 Poids de 1 m², kg / Weight per 1 m², kg / Gewicht je m², kg 6,15
 Nombre de lames au mètre / Number of slats per 1 m of curtain height / Stabbedarf für 1 m Panzerhöhe 18,2
 Longueur standardisée, m / Standard length, m / Produktionslänge, m6,0
 Commande standardisée, m / Standard pack, m / Verpackungseinheit, m 60,0

Hauteur maximale du tablier en fonction des options d'assemblage, mm

Max. roller shutter curtain height depending on the assembly option, mm

Max. Panzerhöhe bei verschiedenen Ausstattungsvarianten des Rollladens, mm

Dimension de caisson, mm Shutter box size, mm Typengröße des Blendenkastens, mm	RT60x0,6 / RT60x0,8					RT70x1,2				RT102x2,5	
	RG2	RG3	RG4	AER55F/ SCR + RD60	Attache du tablier + RD60 Retainer spring + RD60 Stahlbandaufhänger + Adapterring RD60	RG2	RG3	RG4	AER55F/ SCR + RD70	Attache du tablier + RD70 Retainer spring + RD70 Stahlbandaufhänger + Adapterring RD70	Attache du tablier + RD102 Retainer spring + RD102 Stahlbandaufhänger + Adapterring RD102
165	990	-	-	990	1210	-	-	-	990	990	-
180	1430	-	-	1375	1760	-	-	-	1430	1430	-
205	1980	-	-	2310	2255	1650	-	-	1980	2310	-
230	-	2530	-	2860	3300	-	2750	-	3025	2970	2420
250	-	3684	-	3465	4070	-	3410	-	3685	3575	3080
300	-	-	5775	5665	5665	-	-	5555	5720	5720	5225

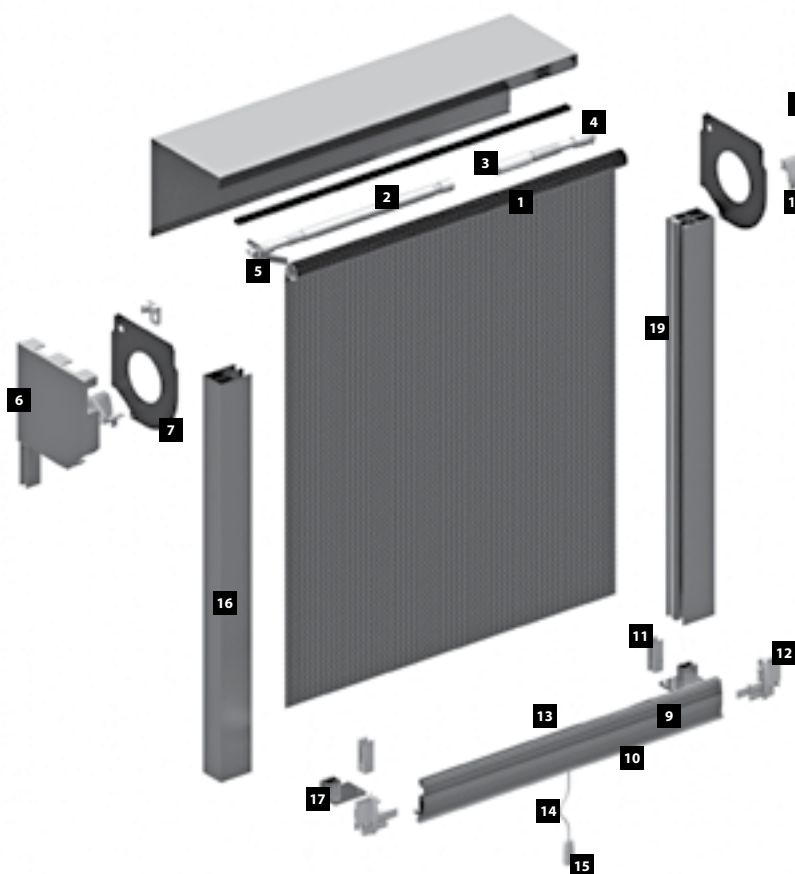


02

[Fr] COMPOSANTS POUR LES
VOLETS ROULANTS AVEC LA
MOUSTIQUAIRE INTEGREE

[En] COMPONENTS FOR ROLLER
SHUTTER SYSTEMS WITH
INTEGRATED INSECT
SCREEN

[De] ZUBEHÖRTEILE
FÜR ROLLLÄDEN
MIT INTEGRIERTEM
INSEKTENSCHUTZGITTER

ÉLÉMENTS DE LA STRUCTURE | STRUCTURE COMPONENTS | ZUBEHÖRTEILE

Caractéristiques techniques du volet roulant avec la moustiquaire intégrée

- Largeur maxi de l'ouverture — 1,6 m
- Margeur mini de l'ouverture — 0,6 m
- Hauteur maxi de l'ouverture — 2,2 m
- Force maxi à baisser la moustiquaire (prenant la hauteur maxi du volet roulant) — pas plus de 5 kg.

Technical data of the roller shutter with integrated insect screen :

- Max opening width — 1,6 m
- Min opening width — 0,6 m
- Max opening height — 2,2 m
- Max force to close the insect screen (max roller shutter height) — not more than 5 kg.

Technische Daten:

- Max. lichte Breite — 1,6 m
- Min. lichte Breite — 0,6 m
- Max. lichte Höhe — 2,2 m
- Max. Kraftaufwand zum Schließen des Insekten-schutzgitters (bei max. Rollladen-Breite) — 5 kg

1	Tube avec moustiquaire Tube with insect screen Welle mit Insektenschutzgitter	M-TNR-1,7 (M-TNR-2,5)
2	Ressort de tirage direct Assist and push-up springs Federmechanik	M-2SIM
3	Parachute Brake Aufrollbremse	M-BRS
4	Appui Bearing Gegenlager	M-OP
5	Pièce de blocage Fixing device Insektenschutz-Arretierungsring	M-FS
6	Joues latérales avec bosse non centrale End caps with non central pin Blendenkappen mit versetzten Zapfen	M-SF
7	Plaque support Safety plates Abweisblech	GPU
8	Support Bracket Insektenschutz-Aufnahme	M-SBR
9	Lame finale End slat Schlussleiste	M-ES12x57

10	Brosse Brush insert Bürsteneinlage	ISE18
11	Butée assemblée Assembled stopper Endstück	Mécanisme de blocage de la moustiquaire M-NLM
12	Bouchon Lock Gleiter	
13	Joint de corde Cord holder Einlage	M-NLM insect screen locking device
14	Corde Cord Zugschnur	Insekten-schutz-Verriegelung M-NLM
15	Poignée de corde Cord handle Griff der Zugschnur	
16	Coulisse Guide rail Führungsschiene	M-GR53x-39IE (124)
17	Embout Guide rail end piece Führungsschienenabschluss	M-GRP53
18	Tulipe combinée Combined entry guide Kombinierter Einlauftrichter	M-GD9 (M-GD9/U)
19	Brosse Brush insert Bürsteneinlage	ISE06

M-TNR-1,7 / M-TNR-2,5 | TUBE AVEC MOUSTIQUAIRE | TUBE WITH INSECT SCREEN | WELLE MIT INSEKTENSCHUTZGITTER

Tube • Tube • Welle	Moustiquaire • Insect screen • Insektenschutzgitter
En aluminium. Diamètre — 24mm, épaisseur du paroi — 1 mm	Toile de verre avec revêtement polymérique.
Aluminium. Diameter — 24 mm, wall thickness — 1 mm	Glass cloth with polymeric coating.
Aluminium. Durchmesser — 24 mm, Materialstärke — 1 mm	Glasfasergewebe mit Polymerbeschichtung.



référence article Artikel	Code Code Code	Unité de mesure Unit of measure Messeinheit	Poids de 1 ml, kg Weight per 1 m, kg Gewicht per 1 lfd. m, kg	longueur standardisée, m standard length, m Produktionslänge, m	commande standardisée, m standard pack, m Verpackungseinheit, m
M-TNR-1,7	309002100	m	0,464	6	36
M-TNR-2,5	309003100	m	0,55	6	36

M-ES12x57 | LAME FINALE | END SLAT | SCHLUSSLEISTE

Coloris	Colour	Farbe	Surface structurée Shagreen Oberfläche strukturiert	Surface lisse Gloss Oberfläche glänzend
brut	mill-finished	blank	308055100	
blanc	white	weiss	308055101	308055201
brun	brown	braun	308055102	308055202
gris	grey	grau	308055103	308055203
beige	beige	beige	308055104	308055204
bleu ciel	sky-blue	himmelblau	–	308055206
rouge pourpre	purple red	purpurrot	–	308055207
alu argenté	silver	silber	308055108	308055208
noir	black	schwarz	–	308055210
anthracite	anthracite	anthrazit	–	308055213
vert sapin	green fir	tannengrün	–	308055215
bleu azuré	azure blue	azurblau	–	308055216
jaune	yellow	gelb	–	308055220
crème	cream	cremeweiss	–	308055221
brun foncé	dark brown	dunkelbraun	–	308055222
ivoire claire	light ivory	hell elfenbein	–	308055223
beige foncé	dark beige	dunkelbeige	–	308055224
vert mousse	green moss	moosgrün	–	308055225
bleu foncé	dark blue	dunkelblau	–	308055226
bronze	bronze	bronze	–	308055229
chêne doré	golden oak	goldene Eiche	308055119	–
chêne irlandais	irish oak	Eiche hell	308055139	–
cerisier	black cherry	Kirsche	308055149	–
noyer	nut	Nussbaum	308055159	–



Extrudée en aluminium. À utiliser avec le tube avec moustiquaire M-TNR et mécanisme de blocage de la moustiquaire M-NLM. Avec gorge pour la brosse **ISE18**.

Extruded aluminium. To be used with M-TNR tube with mosquito net and M-NLM insect screen locking device. With groove for brush insert **ISE18**.

Aluminium stranggepresst. Verwendbar mit welle mit Insektenschutzgitter M-TNR und Insektenschutz-Verriegelung M-NLM. Mit Nut für Bürsteneinlage **ISE18**.

Poids de 1 ml, kg / Weight per 1 m, kg / Gewicht je lfd.m, kg0,427
 Longueur standardisée, m / Standard length, m / Produktionslänge, m6,0
 Commande standardisée, m / Standard pack, m / Verpackungseinheit, m..... 30,0

M-GR53x39IE | COULISSE | GUIDE RAIL | FÜHRUNGSSCHIENE

Extrudée en aluminium. Combinée. À utiliser pour poser le tablier et la moustiquaire. À utiliser avec les joues latérales **M-SF/137...205, M-SF20/137...205, M-SF-QR/137...205, M-SF-R/137...205, SF45/137...205u, SF45/137...205u-M, SF45/137...205u-B, SF45/137...205u-BM, SF230/S-M, SF250/Sa-M, SF125...250/Sa, SF20/137...205, SF-R/137...205, SF-QR/137...205.**

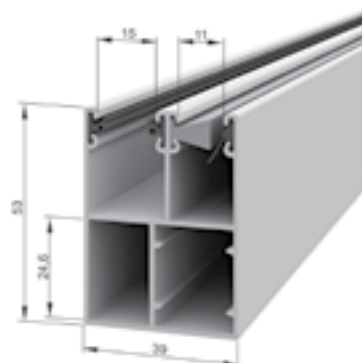
Aluminium, extruded. Combined. To be used for the mounting of the curtain and insect screen. To be used with **M-SF/137...205, M-SF20/137...205, M-SF-QR/137...205, M-SF-R/137...205, SF45/137...205u, SF45/137...205u-M, SF45/137...205u-B, SF45/137...205u-BM, SF230/S-M, SF250/Sa-M, SF125...250/Sa, SF20/137...205, SF-R/137...205, SF-QR/137...205.**

Aluminium stranggepresst. Kombiniert. Dient zum Anbringen des Rollpanzers und Insekten-schutzgitters. Kompatibel mit **M-SF/137...205, M-SF20/137...205, M-SF-QR/137...205, M-SF-R/137...205, SF45/137...205u, SF45/137...205u-M, SF45/137...205u-B, SF45/137...205u-BM, SF230/S-M, SF250/Sa-M, SF125...250/Sa, SF20/137...205, SF-R/137...205, SF-QR/137...205.**

Sont fournies avec la brosse **IS11**, la brosse d'angle **ISEA01**, la brosse **ISE17**

Are supplied with **IS11** installed brush inserts, **ISEA01** corner brush insert, **ISE05** brush insert

Lieferfähig mit eingesteckten **ISE17**-Bürsteneinlage **ISEA01**-Winkel-Bürsteneinlage, **ISE17**-Bürsteneinlage.



En supplément, l'application de l'embout pour coulisse M-GRP53 est prévue

In addition, the application of M-GRP53 guide rail end piece is provided

Zusätzlich ist die Verwendung des M-GRP53-Führungsschienenabschlusses vorgesehen

M-GR53x39IE

M-GR53x39B17

Coloris	Colour	Farbe	Surface structurée	Surface lisse	Surface structurée	Surface lisse
			Shagreen	Gloss	Shagreen	Gloss
			Oberfläche strukturiert	Oberfläche glänzend	Oberfläche strukturiert	Oberfläche glänzend
Code • Code • Code						
brut	mill-finished	blank	307076100		-	
blanc	white	weiss	307077101	307077201	307096101	307096201
brun	brown	braun	307077102	307077202	307096102	307096202
gris	grey	grau	307077103	307077203	307096103	307096203
beige	beige	beige	307077104	307077204	307096104	307096204
bleu ciel	sky-blue	himmelblau	-	307077206	-	307096206
rouge pourpre	purple red	purpurrot	-	307077207	-	307096207
alu argenté	silver	silber	307077108	307077208	307096108	307096208
noir	black	schwarz	-	307077210	-	307096210
anthracite	anthracite	anthrazit	-	307077213	-	307096213
vert sapin	green fir	tannengrün	-	307077215	-	307096215
bleu azuré	azure blue	azurblau	-	307077216	-	307096216
jaune	yellow	gelb	-	307077220	-	307096220
crème	cream	cremeweiss	-	307077221	-	307096221
brun foncé	dark brown	dunkelbraun	307077122	307077222	-	307096222
ivoire claire	light ivory	hell elfenbein	-	307077223	-	307096223
beige foncé	dark beige	dunkelbeige	-	307077224	-	307096224
vert mousse	green moss	moosgrün	-	307077225	-	307096225
bleu foncé	dark blue	dunkelblau	-	307077226	-	307096226
bronze	bronze	bronze	-	307077229	-	307096229
chêne doré	golden oak	goldene Eiche	307077119	-	307096119	-
chêne irlandais	irish oak	Eiche hell	307077139	-	307096122	-
cerisier	black cherry	Kirsche	307077149	-	307096149	-
noyer	nut	Nussbaum	307077159	-	307096159	-

Plaxage par le film Renolit • Lamination by Renolit film • Kaschierung mit Renolit-Folie

Coloris	Colour	Farbe	Code • Code • Code
chêne doré Renolit	golden oak Renolit	goldene Eiche Renolit	307077419
noyer Renolit	nut Renolit	Nussbaum Renolit	307077459



M-GR53x39IE

Schema d'application

Application scheme

Schema der Auftragung

M-GR53x39IE

Poids de 1 ml, kg / Weight per 1 m, kg / Gewicht je lfd.m, kg0,923

M-GR53x39B17

Poids de 1 ml, kg / Weight per 1 m, kg / Gewicht je lfd.m, kg0,865

Longueur standardisée, m / Standard length, m / Produktionslänge, m6,0

Commande standardisée, m / Standard pack, m / Verpackungseinheit, m36,0

M-SF45 | JOUE LATÉRALE 45° | JOUE LATÉRALE 45° | BLENDEKAPPE 45°



En aluminium. A utiliser avec la coulisse **M-GR53x39E**

Aluminium. For **M-GR53x39E**guide rail

Aluminium. Für Führungsschiene **M-GR53x39E**

Coloris	Colour	Farbe	M-SF137		M-SF150		M-SF165	
			Surface structurée Shagreen Oberfläche strukturiert	Surface lisse Gloss Oberfläche glänzend	Surface structurée Shagreen Oberfläche strukturiert	Surface lisse Gloss Oberfläche glänzend	Surface structurée Shagreen Oberfläche strukturiert	Surface lisse Gloss Oberfläche glänzend
			Code • Code • Code					
brut	mill-finished	blank	306061100		306062100		306063100	
blanc	white	weiss	306061101	306061201	306062101	306062201	306063101	306063201
brun	brown	braun	306061102	306061202	306062102	306062202	306063102	306063202
gris	grey	grau	306061103	306061203	306062103	306062203	306063103	306063203
beige	beige	beige	306061104	306061204	306062104	306062204	306063104	306063204
bleu ciel	sky-blue	himmelblau	-	306061206	-	306062206	-	306063206
rouge pourpre	purple red	purpurrot	-	306061207	-	306062207	-	306063207
alu argenté	silver	silber	306061108	306061208	306062108	306062208	306063108	306063208
noir	black	schwarz	-	306061210	-	306062210	-	306063210
anthracite	anthracite	anthrazit	-	306061213	-	306062213	-	306063213
vert sapin	green fir	tannengrün	-	306061215	-	306062215	-	306063215
bleu azuré	azure blue	azurblau	-	306061216	-	306062216	-	306063216
jaune	yellow	gelb	-	306061220	-	306062220	-	306063220
crème	cream	cremeweiss	-	306061221	-	306062221	-	306063221
brun foncé	dark brown	dunkelbraun	306061122	306061222	306062122	306062222	306063122	306063222
ivoire claire	light ivory	hellelfenbein	-	306061223	-	306062223	-	306063223
beige foncé	dark beige	dunkelbeige	-	306061224	-	306062224	-	306063224
vert mousse	green moss	moosgrün	-	306061225	-	306062225	-	306063225
bleu foncé	dark blue	dunkelblau	-	306061226	-	306062226	-	306063226
bronze	bronze	bronze	-	306061229	-	306062229	-	306063229
Poids d'une paire, kg • Weight per 1 pair, kg • Gewicht 1 Paar, kg			13		10		10	
Commande standardisée, paire • Standard pack, pair • Verpackungseinheit, Paar			0,4704		0,5208		0,5943	
A, mm			137		150		165	
B, mm			137		150		165	

Coloris	Colour	Farbe	M-SF180		M-SF205	
			Surface structurée Shagreen Oberfläche strukturiert	Surface lisse Gloss Oberfläche glänzend	Surface structurée Shagreen Oberfläche strukturiert	Surface lisse Gloss Oberfläche glänzend
			Code • Code • Code			
brut	mill-finished	blank	306064100		306065100	
blanc	white	weiss	306064101	306064201	306065101	306065201
brun	brown	braun	306064102	306064202	306065102	306065202
gris	grey	grau	306064103	306064203	306065103	306065203
beige	beige	beige	306064104	306064204	306065104	306065204
bleu ciel	sky-blue	himmelblau	-	306064206	-	306065206
rouge pourpre	purple red	purpurrot	-	306064207	-	306065207
alu argenté	silver	silber	306064108	306064208	306065108	306065208
noir	black	schwarz	-	306064210	-	306065210
anthracite	anthracite	anthrazit	-	306064213	-	306065213
vert sapin	green fir	tannengrün	-	306064215	-	306065215
bleu azuré	azure blue	azurblau	-	306064216	-	306065216
jaune	yellow	gelb	-	306064220	-	306065220
crème	cream	cremeweiss	-	306064221	-	306065221
brun foncé	dark brown	dunkelbraun	306064122	306064222	306065122	306065222
ivoire claire	light ivory	hellelfenbein	-	306064223	-	306065223
beige foncé	dark beige	dunkelbeige	-	306064224	-	306065224
vert mousse	green moss	moosgrün	-	306064225	-	306065225
bleu foncé	dark blue	dunkelblau	-	306064226	-	306065226
bronze	bronze	bronze	-	306064229	-	306065229
Poids d'une paire, kg • Weight per 1 pair, kg • Gewicht 1 Paar, kg			10		10	
Commande standardisée, paire • Standard pack, pair • Verpackungseinheit, Paar			0,6636		0,798	
A, mm			180		205	
B, mm			180		205	

M-SF45/u | JOUE LATÉRALE 45° | END CAP 45° | BLENDEKAPPE 45°



Pour les caissons SB45. En aluminium, avec une bosse non centrale pour les VR avec la moustiquaire intégrée.

For SB45 shutter boxes. Aluminium, with non centered pin for the roller shutter systems with integrated insect screen.

Für SB45-Blendenkästen. Aluminium, mit versetztem Zapfen für Rollläden mit integriertem Insektenschutzgitter.

A utiliser avec la coulisse **M-GR53x39E**, la tulipe **M-GD9/U**.

Used with **M-GR53x39E** guide rail, **M-GD9/U** entry guide.

Wird zusammen mit Führungsschiene **M-GR53x39E** und Einlaufstutzen **M-GD9/U** verwendet.

Coloris	Colour	Farbe	M-SF45/137u		M-SF45/150u		M-SF45/165u	
			Surface structurée Shagreen Oberfläche strukturiert	Surface lisse Gloss Oberfläche glänzend	Surface structurée Shagreen Oberfläche strukturiert	Surface lisse Gloss Oberfläche glänzend	Surface structurée Shagreen Oberfläche strukturiert	Surface lisse Gloss Oberfläche glänzend
			Code • Code • Code					
brut	mill-finished	blank	306220100		306221100		306222100	
blanc	white	weiss	306220101	306220201	306221101	306221201	306222101	306222201
brun	brown	braun	306220102	306220202	306221102	306221202	306222102	306222202
gris	grey	grau	306220103	306220203	306221103	306221203	306222103	306222203
beige	beige	beige	306220104	306220204	306221104	306221204	306222104	306222204
bleu ciel	sky-blue	himmelblau	-	306220206	-	306221206	-	306222206
rouge pourpre	purple red	purpurrot	-	306220207	-	306221207	-	306222207
alu argenté	silver	silber	306220108	306220208	306221108	306221208	306222108	306222208
noir	black	schwarz	-	306220210	-	306221210	-	306222210
anthracite	anthracite	anthrazit	-	306220213	-	306221213	-	306222213
vert sapin	green fir	tannengrün	-	306220215	-	306221215	-	306222215
bleu azuré	azure blue	azurblau	-	306220216	-	306221216	-	306222216
jaune	yellow	gelb	-	306220220	-	306221220	-	306222220
crème	cream	cremeweiss	-	306220221	-	306221221	-	306222221
brun foncé	dark brown	dunkelbraun	306220122	306220222	306221122	306221222	306222122	306222222
ivoire claire	light ivory	hellelfenbein	-	306220223	-	306221223	-	306222223
beige foncé	dark beige	dunkelbeige	-	306220224	-	306221224	-	306222224
vert mousse	green moss	moosgrün	-	306220225	-	306221225	-	306222225
bleu foncé	dark blue	dunkelblau	-	306220226	-	306221226	-	306222226
bronze	bronze	bronze	-	306220229	-	306221229	-	306222229
Poids d'une paire, kg • Weight per 1 pair, kg • Gewicht 1 Paar, kg			13		10		10	
Commande standardisée, paire • Standard pack, pair • Verpackungseinheit, Paar			0,489		0,554		0,630	
A, mm			137		150		165	
B, mm			137		150		165	

Coloris	Colour	Farbe	M-SF45/180u		M-SF45/205u	
			Surface structurée Shagreen Oberfläche strukturiert	Surface lisse Gloss Oberfläche glänzend	Surface structurée Shagreen Oberfläche strukturiert	Surface lisse Gloss Oberfläche glänzend
			Code • Code • Code			
brut	mill-finished	blank	306223100		306224100	
blanc	white	weiss	306223101	306223201	306224101	306224201
brun	brown	braun	306223102	306223202	306224102	306224202
gris	grey	grau	306223103	306223203	306224103	306224203
beige	beige	beige	306223104	306223204	306224104	306224204
bleu ciel	sky-blue	himmelblau	-	306223206	-	306224206
rouge pourpre	purple red	purpurrot	-	306223207	-	306224207
alu argenté	silver	silber	306223108	306223208	306224108	306224208
noir	black	schwarz	-	306223210	-	306224210
anthracite	anthracite	anthrazit	-	306223213	-	306224213
vert sapin	green fir	tannengrün	-	306223215	-	306224215
bleu azuré	azure blue	azurblau	-	306223216	-	306224216
jaune	yellow	gelb	-	306223220	-	306224220
crème	cream	cremeweiss	-	306223221	-	306224221
brun foncé	dark brown	dunkelbraun	306223122	306223222	306224122	306224222
ivoire claire	light ivory	hellelfenbein	-	306223223	-	306224223
beige foncé	dark beige	dunkelbeige	-	306223224	-	306224224
vert mousse	green moss	moosgrün	-	306223225	-	306224225
bleu foncé	dark blue	dunkelblau	-	306223226	-	306224226
bronze	bronze	bronze	-	306223229	-	306224229
Poids d'une paire, kg • Weight per 1 pair, kg • Gewicht 1 Paar, kg			10		10	
Commande standardisée, paire • Standard pack, pair • Verpackungseinheit, Paar			0,708		0,851	
A, mm			180		205	
B, mm			180		205	

M-SF20 | JOUE LATÉRALE 20° | END CAP 20° | BLENDEKAPPE 20°



En aluminium. A utiliser avec la coulisse **M-GR53x39E**
Aluminium. For **M-GR53x39E** guide rail
Aluminium. Für Führungsschiene **M-GR53x39E**

			M-SF20/137		M-SF20/150		M-SF20/165	
Coloris	Colour	Farbe	Surface structurée	Surface lisse	Surface structurée	Surface lisse	Surface structurée	Surface lisse
			Shagreen Oberfläche strukturiert	Gloss Oberfläche glänzend	Shagreen Oberfläche strukturiert	Gloss Oberfläche glänzend	Shagreen Oberfläche strukturiert	Gloss Oberfläche glänzend
			Code • Code • Code		Code • Code • Code		Code • Code • Code	
brut	mill-finished	blank	306071100		306072100		306073100	
blanc	white	weiss	306071101	306071201	306072101	306072201	306073101	306073201
brun	brown	braun	306071102	306071202	306072102	306072202	306073102	306073202
gris	grey	grau	306071103	306071203	306072103	306072203	306073103	306073203
beige	beige	beige	306071104	306071204	306072104	306072204	306073104	306073204
bleu ciel	sky-blue	himmelblau	-	306071206	-	306072206	-	306073206
rouge pourpre	purple red	purpurrot	-	306071207	-	306072207	-	306073207
alu argenté	silver	silber	306071108	306071208	306072108	306072208	306073108	306073208
noir	black	schwarz	-	306071210	-	306072210	-	306073210
anthracite	anthracite	anthrazit	-	306071213	-	306072213	-	306073213
vert sapin	green fir	tannengrün	-	306071215	-	306072215	-	306073215
bleu azuré	azure blue	azurblau	-	306071216	-	306072216	-	306073216
jaune	yellow	gelb	-	306071220	-	306072220	-	306073220
crème	cream	cremeweiss	-	306071221	-	306072221	-	306073221
brun foncé	dark brown	dunkelbraun	306071122	306071222	306072122	306072222	306073122	306073222
ivoire claire	light ivory	hellelfenbein	-	306071223	-	306072223	-	306073223
beige foncé	dark beige	dunkelbeige	-	306071224	-	306072224	-	306073224
vert mousse	green moss	moosgrün	-	306071225	-	306072225	-	306073225
bleu foncé	dark blue	dunkelblau	-	306071226	-	306072226	-	306073226
bronze	bronze	bronze	-	306071229	-	306072229	-	306073229
Poids d'une paire, kg • Weight per 1 pair, kg • Gewicht 1 Paar, kg			13		10		10	
Commande standardisée, paire • Standard pack, pair • Verpackungseinheit, Paar			0,4704		0,525		0,5985	
A, mm			137		150		165	
B, mm			137		150		165	

			M-SF20/180		M-SF20/205	
Coloris	Colour	Farbe	Surface structurée	Surface lisse	Surface structurée	Surface lisse
			Shagreen Oberfläche strukturiert	Gloss Oberfläche glänzend	Shagreen Oberfläche strukturiert	Gloss Oberfläche glänzend
			Code • Code • Code		Code • Code • Code	
brut	mill-finished	blank	306074100		306075100	
blanc	white	weiss	306074101	306074201	306075101	306075201
brun	brown	braun	306074102	306074202	306075102	306075202
gris	grey	grau	306074103	306074203	306075103	306075203
beige	beige	beige	306074104	306074204	306075104	306075204
bleu ciel	sky-blue	himmelblau	-	306074206	-	306075206
rouge pourpre	purple red	purpurrot	-	306074207	-	306075207
alu argenté	silver	silber	306074108	306074208	306075108	306075208
noir	black	schwarz	-	306074210	-	306075210
anthracite	anthracite	anthrazit	-	306074213	-	306075213
vert sapin	green fir	tannengrün	-	306074215	-	306075215
bleu azuré	azure blue	azurblau	-	306074216	-	306075216
jaune	yellow	gelb	-	306074220	-	306075220
crème	cream	cremeweiss	-	306074221	-	306075221
brun foncé	dark brown	dunkelbraun	306074122	306074222	306075122	306075222
ivoire claire	light ivory	hellelfenbein	-	306074223	-	306075223
beige foncé	dark beige	dunkelbeige	-	306074224	-	306075224
vert mousse	green moss	moosgrün	-	306074225	-	306075225
bleu foncé	dark blue	dunkelblau	-	306074226	-	306075226
bronze	bronze	bronze	-	306074229	-	306075229
Poids d'une paire, kg • Weight per 1 pair, kg • Gewicht 1 Paar, kg			10		10	
Commande standardisée, paire • Standard pack, pair • Verpackungseinheit, Paar			0,6699		0,8022	
A, mm			180		205	
B, mm			180		205	

M-SF-R | JOUE LATÉRALE DEMI-ROND | ROUND END CAP | BLENDEKAPPE HALBRUND

 En aluminium. A utiliser avec la coulisse **M-GR53x39E**

 Aluminium. For **M-GR53x39E** guide rail

 Aluminium. Für Führungsschiene **M-GR53x39E**

Coloris	Colour	Farbe	M-SF-R/137		M-SF-R/150		M-SF-R/165	
			Surface structurée Shagreen Oberfläche strukturiert	Surface lisse Gloss Oberfläche glänzend	Surface structurée Shagreen Oberfläche strukturiert	Surface lisse Gloss Oberfläche glänzend	Surface structurée Shagreen Oberfläche strukturiert	Surface lisse Gloss Oberfläche glänzend
			Code • Code • Code		Code • Code • Code		Code • Code • Code	
brut	mill-finished	blank	306091100		306092100		306093100	
blanc	white	weiss	306091101	306091201	306092101	306092201	306093101	306093201
brun	brown	braun	306091102	306091202	306092102	306092202	306093102	306093202
gris	grey	grau	306091103	306091203	306092103	306092203	306093103	306093203
beige	beige	beige	306091104	306091204	306092104	306092204	306093104	306093204
bleu ciel	sky-blue	himmelblau	-	306091206	-	306092206	-	306093206
rouge pourpre	purple red	purpurrot	-	306091207	-	306092207	-	306093207
alu argenté	silver	silber	306091108	306091208	306092108	306092208	306093108	306093208
noir	black	schwarz	-	306091210	-	306092210	-	306093210
anthracite	anthracite	anthrazit	-	306091213	-	306092213	-	306093213
vert sapin	green fir	tannengrün	-	306091215	-	306092215	-	306093215
bleu azuré	azure blue	azurblau	-	306091216	-	306092216	-	306093216
jaune	yellow	gelb	-	306091220	-	306092220	-	306093220
crème	cream	cremeweiss	-	306091221	-	306092221	-	306093221
brun foncé	dark brown	dunkelbraun	306091122	306091222	306092122	306092222	306093122	306093222
ivoire claire	light ivory	hellelfenbein	-	306091223	-	306092223	-	306093223
beige foncé	dark beige	dunkelbeige	-	306091224	-	306092224	-	306093224
vert mousse	green moss	moosgrün	-	306091225	-	306092225	-	306093225
bleu foncé	dark blue	dunkelblau	-	306091226	-	306092226	-	306093226
bronze	bronze	bronze	-	306091229	-	306092229	-	306093229
Poids d'une paire, kg • Weight per 1 pair, kg • Gewicht 1 Paar, kg			10		10		10	
Commande standardisée, paire • Standard pack, pair • Verpackungseinheit, Paar			0,4977		0,5481		0,6195	
A, mm			155		167		183	
B, mm			141		154		168	

Coloris	Colour	Farbe	M-SF-R/180		M-SF-R/205	
			Surface structurée Shagreen Oberfläche strukturiert	Surface lisse Gloss Oberfläche glänzend	Surface structurée Shagreen Oberfläche strukturiert	Surface lisse Gloss Oberfläche glänzend
			Code • Code • Code		Code • Code • Code	
brut	mill-finished	blank	306094100		306095100	
blanc	white	weiss	306094101	306094201	306095101	306095201
brun	brown	braun	306094102	306094202	306095102	306095202
gris	grey	grau	306094103	306094203	306095103	306095203
beige	beige	beige	306094104	306094204	306095104	306095204
bleu ciel	sky-blue	himmelblau	-	306094206	-	306095206
rouge pourpre	purple red	purpurrot	-	306094207	-	306095207
alu argenté	silver	silber	306094108	306094208	306095108	306095208
noir	black	schwarz	-	306094210	-	306095210
anthracite	anthracite	anthrazit	-	306094213	-	306095213
vert sapin	green fir	tannengrün	-	306094215	-	306095215
bleu azuré	azure blue	azurblau	-	306094216	-	306095216
jaune	yellow	gelb	-	306094220	-	306095220
crème	cream	cremeweiss	-	306094221	-	306095221
brun foncé	dark brown	dunkelbraun	306094122	306094222	306095122	306095222
ivoire claire	light ivory	hellelfenbein	-	306094223	-	306095223
beige foncé	dark beige	dunkelbeige	-	306094224	-	306095224
vert mousse	green moss	moosgrün	-	306094225	-	306095225
bleu foncé	dark blue	dunkelblau	-	306094226	-	306095226
bronze	bronze	bronze	-	306094229	-	306095229
Poids d'une paire, kg • Weight per 1 pair, kg • Gewicht 1 Paar, kg			10		7	
Commande standardisée, paire • Standard pack, pair • Verpackungseinheit, Paar			0,6909		0,7959	
A, mm			197		214	
B, mm			184		209	

M-SF-QR | JOUE LATÉRALE QUART DE ROND | QUARTER-ROUND END CAP | BLENDEKAPPE VIERTELROUND



En aluminium. A utiliser avec la coulisse **M-GR53x39E**.

Aluminium. For **M-GR53x39** Egude rail.

Aluminium. Für Führungsschiene **M-GR53x39E**.

			M-SF-QR/137		M-SF-QR/150		M-SF-QR/165		
Coloris	Colour	Farbe	Surface structurée	Surface lisse	Surface structurée	Surface lisse	Surface structurée	Surface lisse	
			Shagreen	Gloss	Shagreen	Gloss	Shagreen	Gloss	
			Oberfläche	Oberfläche	Oberfläche	Oberfläche	Oberfläche	Oberfläche	
			structuriert	glänzend	structuriert	glänzend	structuriert	glänzend	
			Code • Code • Code						
brut	mill-finished	blank	306081100		306082100		306083100		
blanc	white	weiss	306081101	306081201	306082101	306082201	306083101	306083201	
brun	brown	braun	306081102	306081202	306082102	306082202	306083102	306083202	
gris	grey	grau	306081103	306081203	306082103	306082203	306083103	306083203	
beige	beige	beige	306081104	306081204	306082104	306082204	306083104	306083204	
bleu ciel	sky-blue	himmelblau	-	306081206	-	306082206	-	306083206	
rouge pourpre	purple red	purpurrot	-	306081207	-	306082207	-	306083207	
alu argenté	silver	silber	306081108	306081208	306082108	306082208	306083108	306083208	
noir	black	schwarz	-	306081210	-	306082210	-	306083210	
anthracite	anthracite	anthrazit	-	306081213	-	306082213	-	306083213	
vert sapin	green fir	tannengrün	-	306081215	-	306082215	-	306083215	
bleu azuré	azure blue	azurblau	-	306081216	-	306082216	-	306083216	
jaune	yellow	gelb	-	306081220	-	306082220	-	306083220	
crème	cream	cremeweiss	-	306081221	-	306082221	-	306083221	
brun foncé	dark brown	dunkelbraun	306081122	306081222	306082122	306082222	306083122	306083222	
ivoire claire	light ivory	hellelfenbein	-	306081223	-	306082223	-	306083223	
beige foncé	dark beige	dunkelbeige	-	306081224	-	306082224	-	306083224	
vert mousse	green moss	moosgrün	-	306081225	-	306082225	-	306083225	
bleu foncé	dark blue	dunkelblau	-	306081226	-	306082226	-	306083226	
bronze	bronze	bronze	-	306081229	-	306082229	-	306083229	
Poids d'une paire, kg • Weight per 1 pair, kg • Gewicht 1 Paar, kg			13		10		10		
Commande standardisée, paire • Standard pack, pair • Verpackungseinheit, Paar			0,4767		0,5271		0,5964		
A, mm			137		150		165		
B, mm			137		150		165		

			M-SF-QR/180		M-SF-QR/205	
Coloris	Colour	Farbe	Surface structurée	Surface lisse	Surface structurée	Surface lisse
			Shagreen	Gloss	Shagreen	Gloss
			Oberfläche	Oberfläche	Oberfläche	Oberfläche
			structuriert	glänzend	structuriert	glänzend
			Code • Code • Code			
brut	mill-finished	blank	306084100		306085100	
blanc	white	weiss	306084101	306084201	306085101	306085201
brun	brown	braun	306084102	306084202	306085102	306085202
gris	grey	grau	306084103	306084203	306085103	306085203
beige	beige	beige	306084104	306084204	306085104	306085204
bleu ciel	sky-blue	himmelblau	-	306084206	-	306085206
rouge pourpre	purple red	purpurrot	-	306084207	-	306085207
alu argenté	silver	silber	306084108	306084208	306085108	306085208
noir	black	schwarz	-	306084210	-	306085210
anthracite	anthracite	anthrazit	-	306084213	-	306085213
vert sapin	green fir	tannengrün	-	306084215	-	306085215
bleu azuré	azure blue	azurblau	-	306084216	-	306085216
jaune	yellow	gelb	-	306084220	-	306085220
crème	cream	cremeweiss	-	306084221	-	306085221
brun foncé	dark brown	dunkelbraun	306084122	306084222	306085122	306085222
ivoire claire	light ivory	hellelfenbein	-	306084223	-	306085223
beige foncé	dark beige	dunkelbeige	-	306084224	-	306085224
vert mousse	green moss	moosgrün	-	306084225	-	306085225
bleu foncé	dark blue	dunkelblau	-	306084226	-	306085226
bronze	bronze	bronze	-	306084229	-	306085229
Poids d'une paire, kg • Weight per 1 pair, kg • Gewicht 1 Paar, kg			10		10	
Commande standardisée, paire • Standard pack, pair • Verpackungseinheit, Paar			0,6687		0,8001	
A, mm			180		205	
B, mm			180		205	

M-NLM | MÉCANISME DE BLOCAGE DE LA MOUSTIQUAIRE | INSECT SCREEN LOCKING DEVICE | INSEKTENSCHUTZ-VERRIEGELUNG

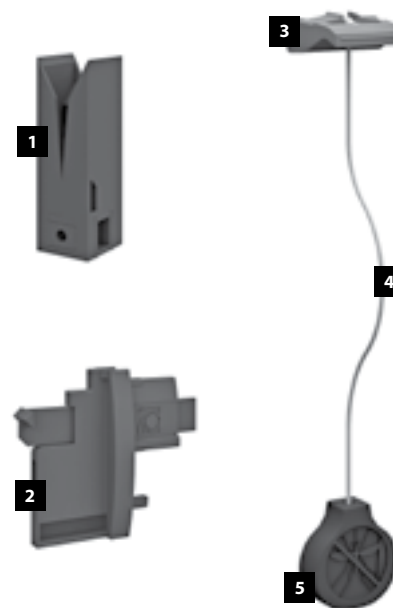
En plastique. Pour fixer la moustiquaire dans la position baissée. À utiliser avec la lame finale **M-ES12×57**.

Plastic. To lock the insect screen in its down position. To be used with **M-ES12×57** end slat.

Kunststoff. Dient zur Verriegelung des Gitters in der unteren Endlage. Kompatibel mit Schlussleiste **M-ES12×57**.

Le jeu inclut • The kit includes • Zubehörteile eines Sets

	Butée assemblée (posée dans la coulisse M-GR53×39)
1	Assembled stopper (installed in the M-GR53×39 guide rail) Endstück (wird in die Führungsschiene M-GR53×39 eingebaut)
	Bouchon (posé aux bords de la lame M-ES12×57)
2	Lock (installed on both sides of the M-ES12×57 end slat) Gleiter (wird in die Schlussleiste M-ES12×57 angebracht)
	Joint de corde (posé au centre de la lame finale M-ES12×57)
3	Cord holder (installed in the middle of the M-ES12×57 end slat) Einlage (wird in der Mitte der Schlussleiste M-ES12×57 angebracht)
	Corde (étirée par le joint, posé dans la lame finale M-ES12×57)
4	Cord (to be draw through the cord holder installed in the M-ES12×57 end slat) Zugschnur (wird durch die Einlage an der Schlussleiste M-ES12×57 ausgeführt)
	Poignée de corde
5	Cord handle Griff der Zugschnur



Code • Code • Code	poids, kg weight, kg Gewicht, kg	commande standardisée, jeu standard pack, kit Verpackungseinheit, Set
313063100	0,05	50

M-2SIM | RESSORT DE TIRAGE DIRECT | ASSIST AND PUSH-UP SPRINGS | FEDERMECHANIK

Pour les tubes avec moustiquaires **M-TNR-1,7**, **M-TNR-2,5**. Fixé à la joue latérale à l'aide de l'appui **M-OP**. Peut être muni du parachute **M-BRS**.

For **M-TNR-1,7**, **M-TNR-2,5** tubes with insect screens. Fixed to the end cap using the **M-OP** bearing. Can be completed with M-BRS brake.

Für **M-TNR-1,7**, **M-TNR-2,5** — Wellen mit Insektenschutzgitter. Sie wird an der Blendenkappe mittels Gegenlager **M-OP** befestigt. Sie kann zusätzlich mit einer Aufrollbremse M-BRS ausgestattet werden.

Code Code Code	Référence Article Artikel	Longueur, mm Length, mm Länge, mm	Commande standardisée, jeu Standard pack, kit Verpackungseinheit, Set	Poids, kg Weight, kg Gewicht, kg
310002100	M-2SIM	480	50	0,16

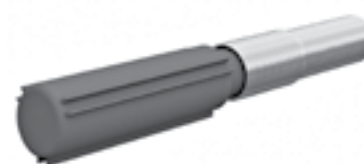
**M-BRS** | PARACHUTE | BRAKE | AUFROLLBREMSE

Pour la montée-descente souple de la moustiquaire. À utiliser avec le ressort de tirage direct **M-2SIM**.

To ensure the insect screen smooth moving up and down. To be used with **M-2SIM** assist and push-up springs.

Sie sorgt für sanften Lauf des Gitters. Kompatibel mit Federmechanik **M-2SIM**.

Code Code Code	Longueur, mm Length, mm Länge, mm	poids, kg weight, kg Gewicht, kg	commande standardisée, pièces standard pack, pcs Verpackungseinheit, Stk
317040000	164	0,038	50



M-OP | APPUI | BEARING | GEGENLAGER

À ressort, en plastique. Pour fixer le ressort de tirage direct **M-2SIM** dans la joue latérale.

Plastic, spring-loaded. To provide the **M-2SIM** assist and push-up springs fixing in the end cap.

Kunststoff, federgelagert. Dient zum Fixieren der Federmechanik **M-2SIM** in der Blendenkappe.



Code • Code • Code	poids, kg weight, kg Gewicht, kg	commande standardisée, jeu standard pack, kit Verpackungseinheit, Set
310004100	0,09	50

M-FS | PIÈCE DE BLOCAGE | FIXING DEVICE | INSEKTENSCHUTZ-ARRETIERUNGSRING

En acier galvanisé. Pour assurer la tension du ressort de tirage direct levé **M-2SIM**. Obligatoire sur l'étape de montage.

Galvanized steel. To fix the tension of the **M-2SIM** assist and push-up springs. Required at the mounting stage.

Verzinkter Stahl. Dient zum Fixieren der Spannung der vorgespannten Federmechanik.



Code • Code • Code	poids, kg weight, kg Gewicht, kg	commande standardisée, jeu standard pack, kit Verpackungseinheit, Set
310003100	0,008	50

M-SBR | SUPPORT | BRACKET | INSEKTENSCHUTZ-AUFNAHME

En acier galvanisé. Pour fixer le tube avec moustiquaire **M-TNR** à la joue latérale. Le support M-SBR peut être remplacé par les plaques consoles GPU/137...205.

Galvanized steel. To fix the **M-TNR** tube with insect screen to the end cap. The M-SBR bracket can be replaced by GPU/137...205 safety plates.

Verzinkter Stahl. Dient zum Fixieren der **M-TNR**-Welle mit Insektenschutzgitter in der Blendenkappe. Als Alternative zu M-SBR sind Abweisbleche GPU/137...205 einsetzbar.



Code • Code • Code	poids, kg weight, kg Gewicht, kg	commande standardisée, jeu standard pack, kit Verpackungseinheit, Set
312016100	0,02	50

M-GD9 | TULIPE | ENTRY GUIDE | EINLAUFTRICHTER

Plastique. Pour l'application combinée du tablier et de la moustiquaire. À utiliser avec la coulisse **M-GR53×39IE (I24)**

Plastic. For combined application of the curtain and insect screen. To be used with **M-GR53×39IE (I24)** guide rail

Kunststoff. Ermöglicht gleichzeitige Verwendung des Rollpanzers und des Gitters. Kompatibel mit Führungsschiene **M-GR53×39IE (I24)**



Coloris	Colour	Farbe	code code Code	poids, kg weigt, kg Gewicht, kg	commande standardisée, paire standard pack, pair Verpackungseinheit, Paar
blanc	white	weiss	313026101	0,033	50
brun	brown	braun	313026102		

M-GD9/U | TULIPE | ENTRY GUIDE | EINLAUFTRICHTER

En plastique, pour les lames 9 mm **AR/377, AR/39, AR/41, AR/45, AR/40, ARH/40, AER42, AER44/S**. A utiliser avec les joues latérales **SF45/u, SF45/u-B, M-SF45/u** et la coulisse **M-GR53x39E** dans les VR avec la moustiquaire intégrée.

Plastic, for **AR/377, AR/39, AR/41, AR/45, AR/40, ARH/40, AER42, AER44/S** profiles of 9 mm. Used with **SF45/u, SF45/u-B, M-SF45/u** end caps and **M-GR53x39E** guide rail in the roller shutter systems with integrated insect screen.

Kunststoff, für 9 mm Profile **AR/377, AR/39, AR/41, AR/45, AR/40, ARH/40, AER42, AER44/S**. Wird zusammen mit Blendenkappen **SF45/u, SF45/u-B, M-SF45/u** und Führungsschiene **M-GR53x39E** in Rollläden mit integriertem Insektenschutzgitter verwendet.



Coloris	Colour	Farbe	code code Code	commande standardisée, paire standard pack, pair Verpackungseinheit, Paar
blanc	white	weiss	313078101	50
brun	brown	braun	313078102	

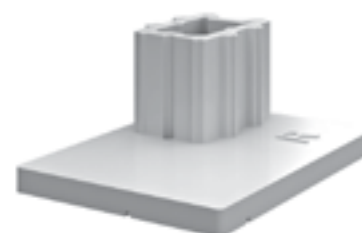
M-GRP53 | EMBOUT POUR COULISSE | GUIDE RAIL END PIECE | FÜHRUNGSSCHIENENABSCHLUSS

À utiliser avec, la coulisse **M-GR53x39IE (I17)**

To be used with **M-GR53x39IE (I17)** guide rail

Kompatibel mit Führungsschiene **M-GR53x39IE (B17)**

Coloris	Colour	Farbe	Code • Code • Code
blanc	white	weiß	313030101
brun	brown	braun	313030102
gris	grey	grau	313030103
beige	beige	beige	313030104
bleu ciel	light blue	himmelblau	313030106
rouge pourpre	purple red	purpurrot	313030107
alu argenté	silver	silber	313030108
noir	black	schwarz	313030110
anthracite	anthracite	anthrazit	313030113
vert sapin	green fir	tannengrün	313030115
bleu azuré	azure blue	azurblau	313030116
jaune	yellow	gelb	313030120
crème	cream	cremeweiss	313030121
brun foncé	dark brown	dunkelbraun	313030122
ivoire claire	light ivory	hellelfenbein	313030123
beige foncé	dark beige	dunkelbeige	313030124
vert mousse	moss green	moosgrün	313030125
bleu foncé	dark blue	dunkelblau	313030126
bronze	bronze	bronze	313030129



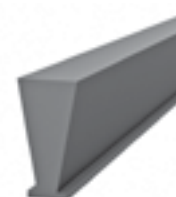
Poids, kg / Weight, kg / Gewicht, kg0,019
 Commande standardisée, paire / standard pack, pair / Verpackungseinheit, Paar 20,0

ISE18 | BROSSSE | BRUSH INSERT | BÜRSTENEINLAGE

Pour assurer la protection supplémentaire contre la pénétration des insectes à travers la lame finale. À utiliser avec la lame finale **M-ES12x57**. Obligatoire à être posée dans une des rainures de la lame finale **M-ES12x57**.

To provide the additional protection against insects coming through the end slat. To be used with **M-ES12x57** end slat. Required to be installed in one of the **M-ES12x57** end slat grooves.

Dient zum zusätzlichen Schutz vor Insekten, die durch die Schlussleiste in den Raum eindringen. Kompatibel mit Schlussleiste **M-ES12x57**. Sie wird in einer Nut der Schlussleiste **M-ES12x57** verbindlich installiert.



Code • Code • Code	poids, kg weight, kg Gewicht, kg	commande standardisée, m standard pack, m Verpackungseinheit, m
313064100	0,0094	125

ISE06 | BROSSE | BRUSH INSERT | BÜRSTENEINLAGE

Pour empêcher la pénétration des insectes à travers le coffre. À utiliser avec les coffres **SB45/137...205, SB20/137...205, SB-R/137...205, SB-P/RE/137...205, SB-QR/137...205, SB-P/QRE/137...205**. Posée à l'intérieur du panneau postérieur du coffre.

To prevent the penetration of insects coming through the shutter box. To be used with **SB45/137...205, SB20/137...205, SB-R/137...205, SB-P/RE/137...205, SB-QR/137...205, SB-P/QRE/137...205** shutter boxes. Installed inside of the shutter box back panel

Dient zum zusätzlichen Schutz vor Insekten, die durch den Kasten in den Raum eindringen. Kompatibel mit Blendenkästen **SB45/137...205, SB20/137...205, SB-R/137...205, SB-P/RE/137...205, SB-QR/137...205, SB-P/QRE/137...205**. Sie wird an der Innenseite des hinteren Kastenteils angebracht



Code • Code • Code	poids, kg weight, kg Gewicht, kg	commande standardisée, m standard pack, m Verpackungseinheit, m
313025100	0,012	500

M-GPU/AL | PLAQUE CONSOLE | SAFETY PLATE | ABWEISBLECH

Plaques console en aluminium pour les joues latérales avec une bosse non centrale **M-SF45, M-SF20, M-SF-QR**. Pour le montage du tablier composé des lames **AER42** sur le tube octo **RT60**.

Aluminium safety plates for **M-SF45, M-SF20, M-SF-QR** end caps with non centered pin. Designed for the mounting of the curtain made from **AER42** profile for **RT60** octagonal roll tube.

Aluminium-Abweisbleche für Blendenkappen mit versetzten Zapfen **M-SF45, M-SF20, M-SF-QR**. Sie dienen zur Montage des **AER42**-Rollpanzers für Achtkantwelle **RT60**.



Référence • Article • Artikel	Code • Code • Code	Commande standardisée, pièces Standard pack, pcs Verpackungseinheit, Stk
M-GPU137AL	312029000	100
M-GPU150AL	312030000	100
M-GPU165AL	312031000	100
M-GPU180AL	312032000	100
M-GPU205AL	312033000	100



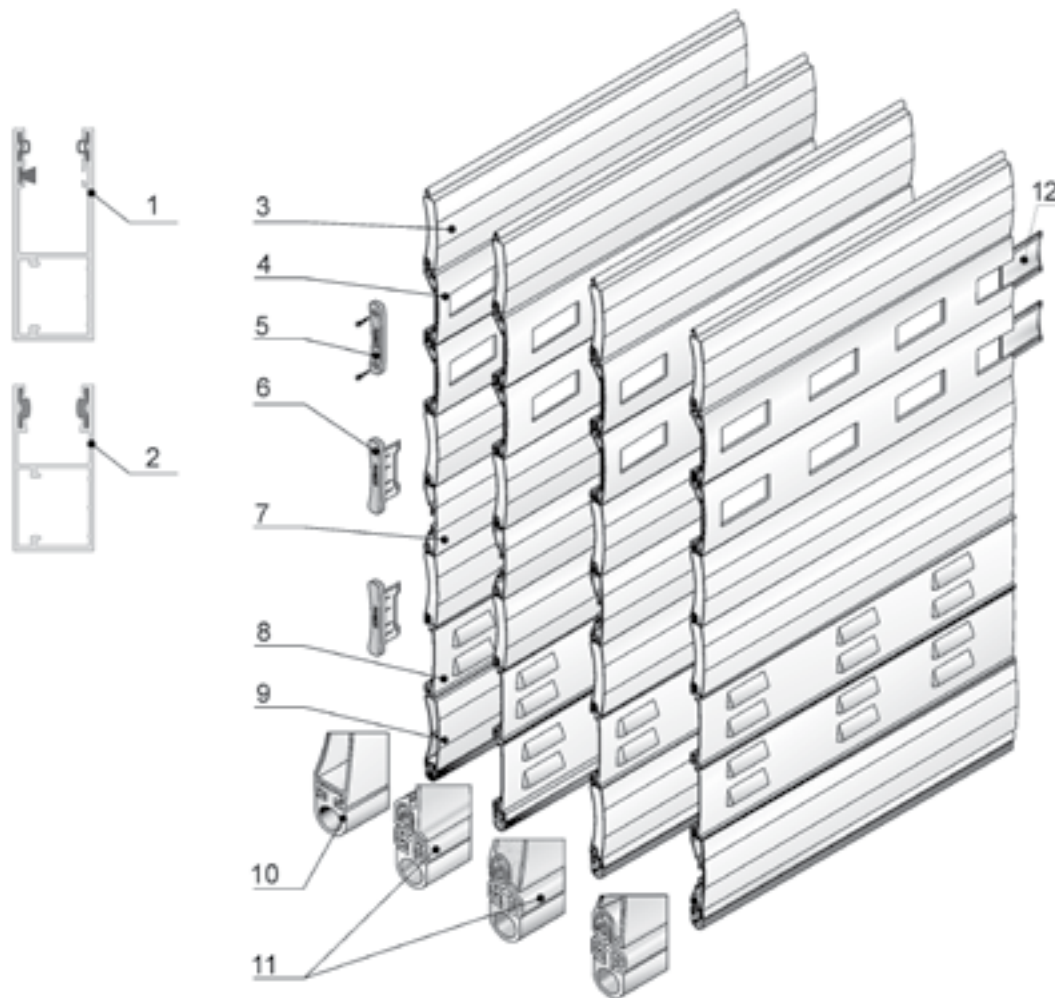
ALUTECH
ROLLER SHUTTER SYSTEMS

03

[Fr] LAMES POUR PORTES
ENROULABLES

[En] PROFILES FOR ROLLER
GARAGE DOORS

[De] ROLLTORPROFILE

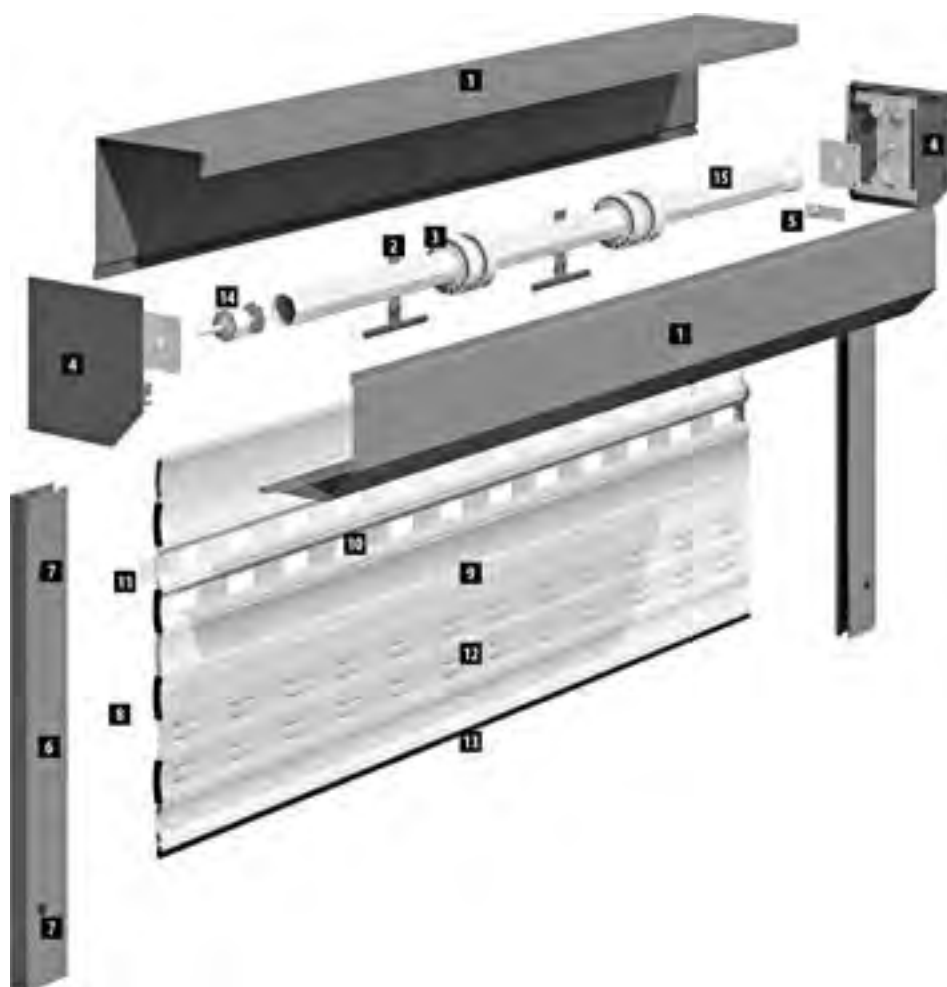
OPTIONS D'ASSEMBLAGE | ASSEMBLY OPTIONS | AUSSTATTUNGSVARIANTEN


1	Coulisse Guide rail Führungsschiene	GR90x34E
2	Coulisse Guide rail Führungsschiene	GR70x34E
3	Lame Profile Profil	AG/77 AG/77H
4	Lame à hublots Profile with windows Sichtfensterprofil	EV/77W

5	Bouchon latéral Side lock Arretierstück	SP/77E SP/77H SP/77sV SP/77V
6	Bouchon latéral Side lock Arretierstück	SP/77 SP/77-MSW SP/77-MSM
7	Lame pour verrou Key lock profile Riegelprofil	ESR/77 ESR/77R
8	Lame d'aération Profile with vents Lüftungsprofil	EA/77

9	Lame finale universelle Universal end slat Universale Schlussleiste	ESU/77 ESU/77I
10	Joint d'étanchéité Rubber insert Kedereinlage	IS1/77
11	Lame finale End slat Schlussleiste	ES/77 ES/77I
12	Joint en polycarbonate Polycarbonate glazing Polykarbonateinlage	PI/77W

**ASSEMBLAGE STANDARD DE PORTES ENROULABLES | STANDARD ROLLER DOORS ASSEMBLY |
ROLLTOR-STANDARDKONSTRUKTION**



Variante de pose avec caisson
Assembly with shutter box
Montage mit Blendenkasten

1	Caisson Shutter box Blendenkasten	07 partie part Teil
2	Attache du tablier Retainer spring Stahlbandaufhänger	08 partie part Teil
3	Bague de distance Distance ring Adapterring	08 partie part Teil
4	Joues latérales End caps Blendenkappen	07 partie part Teil
5	Rouleau de guidage Guide roller Einlaufrolle	11 partie part Teil

6	Coulisse Guide rail Führungsschiene	06 partie part Teil
7	Embout Plug button Abdeckkappe	11 partie part Teil
8	Bouchon latéral Side lock Arretierstück	03 partie part Teil
9	Lame Profile Profil	03 partie part Teil
10	Lame à hublots Profile with windows Sichtfensterprofil	03 partie part Teil

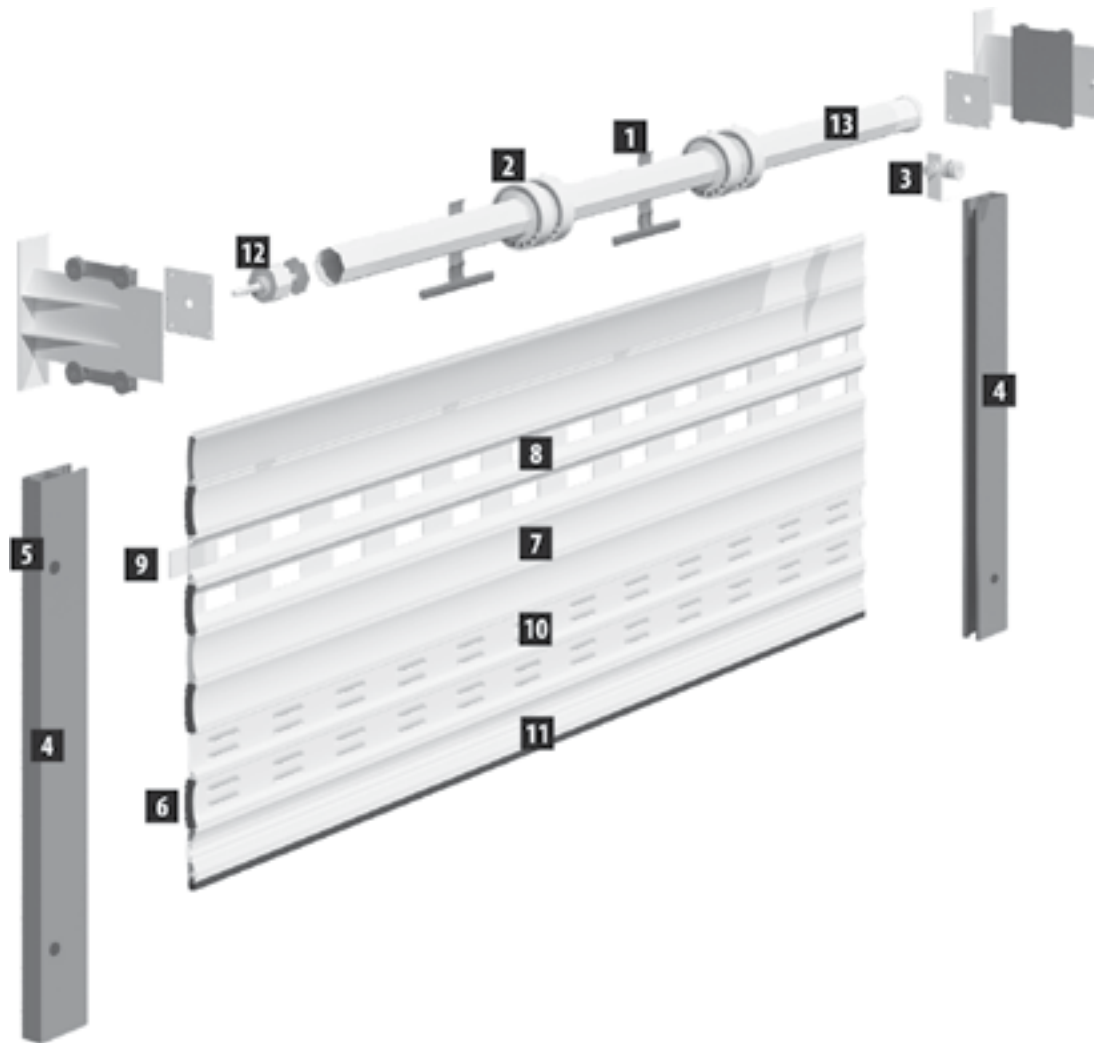
11	Joint pléxi Polycarbonate glazing Polykarbonateinlage	03 partie part Teil
12	Lame d'aération Profile with vents Lüftungsprofil	03 partie part Teil
13	Lame finale End slat Schlussleiste	05 partie part Teil
14	Embout modulable Adjustable cap Verstellbare Kapsel	08 partie part Teil
15	Tube octo Octagonal tube Achtkantwelle	08 partie part Teil

Profilé de fixation AEG77/F — partie 8 p.8.14 / Retainer profile AEG77/F — part 8 p.8.14 / Befestigungsleiste AEG77/F — Teil 8 s.8.14

* Pour améliorer le fonctionnement des portes enroulables il est conseillé de fixer le tablier au tube par la lame AEG77F avec des anneaux RDS70/77.

** We recommend using retainer profile AEG77F with adjusting rings RDS70/77 as a curtain's fixing to octagonal tube to improve the technical characteristics of roller doors.

*** Bei Panzeraufhängung ist es empfohlen für Verbesserung der Funktion des Rolltores das Befestigungsprofil AEG77F mit Adapterringen RDS70/77 zu verwenden.

ASSEMBLAGE SUR CONSOLE | ASSEMBLY ON CONSOLE | MONTAGE AUF DEN KONSOLEN (OHNE KASTEN)


1	Attache du tablier Retainer spring Stahlbandaufhänger	08 partie part Teil
2	Bague de distance Distance ring Adapterring	08 partie part Teil
3	Rouleau de guidage Guide roller Einlaufrolle	11 partie part Teil
4	Coulisse Guide rail Führungsschiene	06 partie part Teil
5	Obturateur Plug button Abdeckkappe	11 partie part Teil

6	Bouchon latéral Side lock Arretierstück	03 partie part Teil
7	Lame Profile Profil	03 partie part Teil
8	Lame à hublots Profile with windows Sichtfensterprofil	03 partie part Teil
9	Joint pléxi Polycarbonate glazing Polykarbonateinlage	03 partie part Teil
10	Lame d'aération Profile with vents Lüftungsprofil	03 partie part Teil

11	Lame finale End slat Schlussleiste	05 partie part Teil
12	Capsule modulable Adjustable cap Verstellbare Kapsel	08 partie part Teil
13	Tube octo Octagonal roll tube Achtkantwelle	08 partie part Teil

* Pour améliorer le fonctionnement des portes enroulables il est conseillé de fixer le tablier au tube par la lame AEG77F avec des anneaux RDS70/77.

** We recommend using retainer profile AEG77F with adjusting rings RDS70/77 as a curtain's fixing to octagonal tube to improve the technical characteristics of roller doors.

*** Bei Panzeraufhängung ist es empfohlen für Verbesserung der Funktion des Rollltores das Befestigungsprofil AEG77F mit Adapterringen RDS70/77 zu verwenden.

AG/77 | LAME ALU POUR PG | ALUMINIUM PROFILE | ALUMINIUMPROFIL

Coloris	Colour	Farbe	Code • Code • Code
blanc	white	weiß	1030111
brun	brown	braun	1030112
gris	grey	grau	1030113
beige	beige	beige	1030114
alu argenté	silver	silber	1030118
chêne doré	golden oak	goldene Eiche	30300119
vert mousse	moss green	moosgrün	1030125
crème	cream	cremeweiss	303001121
brun foncé	dark brown	dunkelbraun	303001122
vert sapin	green fir	tannengrün	303001115
bleu foncé	dark blue	dunkelblau	303001126
rouge pourpre	purple red	purpurrot	303001107
noir	black	schwarz	303001110
anthracite	anthracite	anthrazit	303001113
chêne irlandais	Irish oak	Eiche hell	303001139
merisier	black cherry	Kirsche	303001149
noyer	nut	Nussbaum	303001159
graphite	graphite	graphit	303001183



Plaxage par le film Renolit

Lamination by Renolit film

Kaschierung mit Renolit-Folie

Coloris	Colour	Farbe	Code • Code • Code
chêne doré Renolit	golden oak Renolit	golden oak Renolit	303001459
noyer Renolit	nut Renolit	Nussbaum Renolit	303001459



Schema d'application
Application scheme
Schema der Auftragung

non ajourée
not perforated
unperforiert

Référence Article Artikel	Code Code Code	Commande standardisée, pièces Standard pack, pcs Verpackungseinheit, Stk
SP/77	1030801	200 pièces/pcs/Stk

SP/77-MSW	313049000	100 pièces/pcs/Stk
------------------	-----------	--------------------

SP/77-MSM	313050000	100 pièces/pcs/Stk
------------------	-----------	--------------------

à utiliser avec le bouchon latéral **SP77**

to be used with side lock **SP77**

Wird zusammen mit Arretierstück **SP77** verwendet

SP/77-MSW – bouchon latéral avec plaque fabriquée en acier galvanisé au carbone. A utiliser avec les coulisses **GR70x34E, GR100x35IE**

SP/77-MSM – bouchon latéral avec plaque fabriquée en acier inox. A utiliser avec les coulisses **GR70x34E, GR100x35IE**

SP/77-MSW – side lock with galvanized carbon steel plate. For **GR70x34E, GR100x35IE** guide rails.

SP/77-MSM – side lock with stainless plate. For **GR70x34E, GR100x35IE** guide rails.

SP/77-MSW – Arretierstück mit Platte aus verzinktem Kohlenstoffstahl. Wird mit Führungsschienen **GR70x34E, GR100x35IE** verwendet.

SP/77-MSM – Arretierstück mit rostfreier Stahlplatte. Wird mit Führungsschienen **GR70x34E, GR100x35IE** verwendet.

Poids de 1 ml, kg / Weight per 1 m, kg / Gewicht je lfd.m, kg	0,357
Poids de 1 m ² , kg / Weight per 1 m ² , kg / Gewicht je m ² , kg	4,64
Nombre de lames au mètre / Number of slats per 1 m of curtain height / Stabbedarf für 1 m Panzerhöhe	13,0
Longueur standardisée, m / Standard length, m / Produktionslänge, m	7,0
Commande standardisée, m / Standard pack, m / Verpackungseinheit, m	105,0

Résistance au vent conformément avec le bouchon latéral **SP/77**
Classes of wind load resistance for **AG/77** with side lock **SP/77**
Windlastklassen für Arretierstück **SP77**

Résistance au vent conformément à la norme EN12424 Classes of wind load resistance according to EN12424 Windlastklassen laut EN12424	Largeur maximale du tablier, m Max. curtain width, m Max. Breite, m	Surface maximale, m ² Max. curtain surface area, m ² Max. Fläche, m ²
1	4,41	13,23
2	3,52	10,56
3	3,06	9,18
4	2,67	8,01

Résistance au vent conformément avec l'utilisation des coulisses **GR70x34E** et le bouchon latéral **SP/77-MSW (SP/77-MSM)**
Classes of wind load resistance for **AG/77** mounted with **GR70x34E** guide rails and side lock **SP/77-MSW (SP/77-MSM)**
Windlastklassen für **AG/77** mit Arretierstück **SP/77-MSW (SP/77-MSM)** und Führungsschienen **GR70x34E**

Résistance au vent conformément à la norme EN12424 Classes of wind load resistance according to EN12424 Windlastklassen laut EN12424	Largeur maximale du tablier, m Max. curtain width, m Max. Breite, m	Surface maximale, m ² Max. curtain surface area, m ² Max. Fläche, m ²
1	5,76	14,40
2	4,96	12,40
3	3,45	8,63
4	3,06	7,65

Résistance au vent conformément avec l'utilisation des coulisses **GR90x34E, GR100x35IE** et le bouchon latéral **SP/77-MSW (SP/77-MSM)**
Classes of wind load resistance for **AG/77** mounted with **GR90x34E, GR100x35IE** guide rails and side lock **SP/77-MSW (SP/77-MSM)**
Windlastklassen für **AG/77** mit Arretierstück **GR90x34E, SP/77-MSW (SP/77-MSM)** und Führungsschienen **GR100x35IE**

Résistance au vent conformément à la norme EN12424 Classes of wind load resistance according to EN12424 Windlastklassen laut EN12424	Largeur maximale du tablier, m Max. curtain width, m Max. Breite, m	Surface maximale, m ² Max. curtain surface area, m ² Max. Fläche, m ²
1	7,67	26,85
2	6,28	21,98
3	5,24	18,32
4	4,08	14,26

Hauteur maximale du tablier en fonction des options d'assemblage, mm*
Max. roller shutter curtain height depending on the assembly option, mm**
Max. Panzerhöhe bei verschiedenen Ausstattungsvarianten des Rollladens, mm***

Dimension de caisson, mm Shutter box size, mm Typengröße des Blendenkastens, mm	RT70x1,2				
	Lame de fixation AEG77F + bague RDS70/77 Retainer profile AEG77F + ring RDS70/77 Befestigungsleiste AEG77F + Adapterring RDS70/77	RG3/RG4	Attache du tablier + RD70 Retainer spring + RD70 Stahlbandaufhänger + Adapterring RD70	Attache du tablier SS190RDS + RDS70/77 Retainer spring SS190RDS + RDS70/77 Stahlbandaufhänger + SS190RDS Adapterring RDS70/77	
	250	1 694	1 650	2 050	1 617
	300	2 849	3 050	2 850	2 772
360	4 543	–	4 650	4 543	
405	6 160	–	5 900	5 929	

* Pour améliorer le fonctionnement des portes enroulables il est conseillé de fixer le tablier au tube par la lame AEG77F avec des anneaux.

** We recommend using retainer profile AEG77F with adjusting rings as a curtain's fixing to octagonal tube to improve the technical characteristics of roller doors.

*** Bei Panzeraufhängung ist es empfohlen für Verbesserung der Funktion des Rolltores das Befestigungsprofil AEG77F mit Adapterringen zu verwenden.

Dimension de caisson, mm Shutter box size, mm Typengröße des Blendenkastens, mm	RT102x2,5		
	Lame de fixation AEG84F + bague RD102 Retainer profile AEG84F + ring RD102 Befestigungsleiste AEG84F + Adapterring RD102	Attache du tablier + RD102 Retainer spring + RD102 Stahlbandaufhänger + Adapterring RD102	
	250	1 080	1 540
	300	2 387	2 387
360	4 081	4 081	
405	5 160	6 006	

AG/77H | LAME POUR PG À MOUSSE DURE | ALUMINIUM PROFILE | ALUMINIUMPROFIL

Coloris	Colour	Farbe	Code - Code - Code
blanc	white	weiß	303012101
brun	brown	braun	303012102
gris	grey	grau	303012103
beige	beige	beige	303012104
alu argenté	silver	silber	303012108
anthracite	anthracite	anthrazit	303012113
vert mousse	moss green	moosgrün	303012125
crème	cream	cremeweiss	303012121
brun foncé	dark brown	dunkelbraun	303012122
vert sapin	green fir	tannengrün	303012115
bleu foncé	dark blue	dunkelblau	303012126
rouge pourpre	purple red	purpurrot	303012107
noir	black	schwarz	303012110



non ajourée
not perforated
unperforiert

à utiliser avec le bouchon latéral **SP77/H**
to be used with side lock **SP77/H**
Wird zusammen mit Arretierstück **SP77/H** verwendet

Résistance au vent conformément à la norme EN12424 Classes of wind load resistance according to EN12424 Windlastklassen laut EN12424	Largeur maximale du tablier, m Max. curtain width, m Max. Breite, m	Surface maximale, m ² Max. curtain surface area, m ² Max. Fläche, m ²
1	4,47	13,41
2	3,72	11,15
3	3,22	9,66
4	2,78	8,34

Référence Article Artikel	Code Code Code	Description Description Beschreibung	Commande standardisée, pièces Standard pack, pcs Verpackungseinheit, Set
SP77/H	313009100	avec des détails de fixation (3,5x40 mm) with fasteners (3,5x40 mm) mit Befestigungselement (3,5x40 mm)	200

Poids de 1 ml, kg / Weight per 1 m, kg / Gewicht je lfd.m, kg0,453
 Poids de 1 m², kg / Weight per 1 m², kg / Gewicht je m², kg5,9
 Nombre de lames au mètre / Number of slats per 1 m of curtain height / Stabbedarf für 1 m Panzerhöhe 13,0
 Longueur standardisée, m / Standard length, m / Produktionslänge, m7,0
 Commande standardisée, m / Standard pack, m / Verpackungseinheit, m105,0

Hauteur maximale du tablier en fonction des options d'assemblage, mm*

Max. roller shutter curtain height depending on the assembly option, mm**

Max. Panzerhöhe bei verschiedenen Ausstattungsvarianten des Rollladens, mm***

Dimension de caisson, mm Shutter box size, mm Typengröße des Blendenkastens, mm	RT70x1,2			RT102x2,5	
	Lame de fixation AEG84F + bague RD70 Retainer profile AEG84F + ring RD70 Befestigungsleiste AEG84F + Adapterring RD70	RG3/ RG4	Attache du tablier + RD70 Retainer spring + RD70 Stahlbandaufhänger + Adapterring RD70	Lame de fixation AEG84F + bague RD102 Retainer profile AEG84F + ring RD102 Befestigungsleiste AEG84F + Adapterring RD102	Attache du tablier + RD102 Retainer spring + RD102 Stahlbandaufhänger + Adapterring RD102
250	1 896	1 650	2 050	1 080	1 540
300	2 850	3 050	2 850	2 387	2 387
360	4 650	-	4 650	4 081	4 081
405	5 746	-	5 900	5 160	6 006

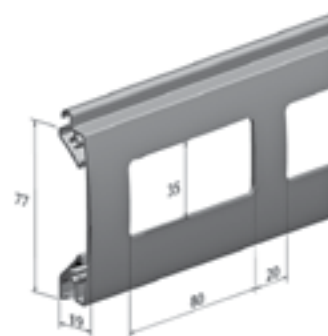
* Pour améliorer le fonctionnement des portes enroulables il est conseillé de fixer le tablier au tube par la lame AEG77F avec des anneaux (p. 8.11 partie 8).

** We recommend using retainer profile AEG77F with adjusting rings as a curtain's fixing to octagonal tube to improve the technical characteristics of roller doors (p. 8.11 part 8).

*** Bei Panzeraufhängung ist es empfohlen für Verbesserung der Funktion des Rollladens das Befestigungsprofil AEG77F mit Adapterringen zu verwenden (s. 8.11 Teil 8).

EV/77W | LAME À HUBLOTS | PROFILE WITH WINDOWS | SICHTFENSTERPROFIL

Coloris	Colour	Farbe	Surface structurée	Surface lisse
			Shagreen Oberfläche strukturiert	Gloss Oberfläche glänzend
			Code • Code • Code	
brut	mill-finished	blank	303016100	
blanc	white	weiß	303016101	303016201
brun	brown	braun	303016102	303016202
gris	grey	grau	303016103	303016203
beige	beige	beige	303016104	303016204
alu argenté	silver	silber	303016108	303016208
anthracite	anthracite	anthrazit	-	303016213
crème	cream	cremeweiss	-	303016221
brun foncé	dark brown	dunkelbraun	303016122	303016222
vert sapin	green fir	tannengrün	-	303016215
vert mousse	green moss	moosgrün	-	303016225
bleu foncé	dark blue	dunkelblau	-	303016226
rouge pourpre	purple red	purpurrot	-	303016207
noir	black	schwarz	-	303016210



à utiliser avec bouchons latéraux
to be used with side locks
wird zusammen mit Arretierstücken verwendet

En aluminium, extrudée, estampée
Aluminium, extruded, stamped
Aluminium, strangepresst, gestanzt

Référence Article Artikel	Code Code Code	Un. m. Meas. un. Messeinheit	Commande standardisée Standard pack Verpackungs-einheit
SP/77sV	313067000	Pièces pcs Stk.	100
SP/77V	313066000	Pièces pcs Stk.	100
SP77/E	1030901	Pièces pcs Stk.	200

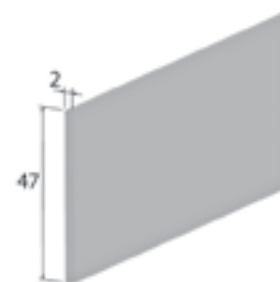


Poids de 1 ml, kg / Weight per 1 m, kg / Gewicht je lfd.m, kg0,740
 Poids de 1 m², kg / Weight per 1 m², kg / Gewicht je m², kg9,604
 Nombre de lames au mètre / Number of slats per 1 m of curtain height / Stabbedarf für 1 m Panzerhöhe 13,0
 Longueur standardisée, m / Standard length, m / Produktionslänge, m7,0
 Commande standardisée, m / Standard pack, m / Verpackungseinheit, m 30,0

PI/77W | JOINT PLÉXI | GLAZING | EINLAGE

Acrylique à utiliser avec lame à hublots **EV/77W**
 Acrylic to be used with **EV/77W** profile with windows
 Acryl kompatibel mit Sichtfensterprofil **EV/77W**

Pour l'étanchéité supplémentaire le fil d'étanchéité en caoutchouc peut être utilisé
 To ensure additional sealing the rubber edge seal can be used
 Zur Gewährleistung der zusätzlichen Abdichtung kann die Abdichtungsschnur verwendet werden

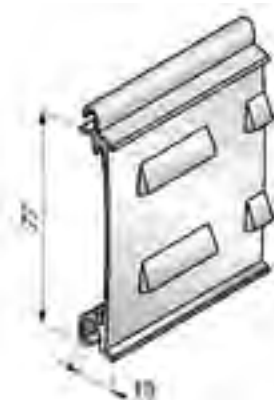


Référence Article Artikel	Code • Code • Code	Commande standardisée, ml Standard pack, m Verpackungs-einheit, lfd. m
AMR-RTN	303026000	150
PI/77W	303025000	30

Commande standardisée, m / Standard pack, m / Verpackungseinheit, m 30,0

EA/77 | LAME D'AERATION | PROFILE WITH VENTS | LÜFTUNGSPROFIL

Coloris	Colour	Farbe	Surface structurée Shagreen Oberfläche strukturiert	Surface lisse Gloss Oberfläche glänzend
			Code • Code • Code	
brut	mill-finished	blank	1030310	
blanc	white	weiß	1030311	303011201
brun	brown	braun	1030312	303011202
gris	grey	grau	1030313	303011203
beige	beige	beige	1030314	303011204
alu argenté	silver	silber	1030318	303011208
anthracite	anthracite	anthrazit	–	303011213
crème	cream	cremeweiss	–	303011221
brun foncé	dark brown	dunkelbraun	–	303011222
vert sapin	green fir	tannengrün	–	303011215
vert mousse	green moss	moosgrün	–	303011225
bleu foncé	dark blue	dunkelblau	–	303011226
rouge pourpre	purple red	purpurrot	–	303011207
noir	black	schwarz	–	303011210



Extrudée en aluminium, estampée
Aluminium, extruded, stamped
Aluminium, stranggepresst, gestanzt

à utiliser avec le bouchon latéral **SP77/E**

to be used with side lock **SP77/E**

Wird zusammen mit Arretierstück **SP77/E** verwendet

Référence Article Artikel	Code Code Code	Description Description Beschreibung	Commande standardisée, pièces Standard pack, pcs Verpackungseinheit, Set
SP77/E	1030901	avec des détails de fixation (3,5×13 mm) with fasteners (3,5×13 mm) mit Befestigungselement (3,5×13 mm)	200

Poids de 1 ml, kg / Weight per 1 m, kg / Gewicht je lfd.m, kg0,720

Poids de 1 m², kg / Weight per 1 m², kg / Gewicht je m², kg 9,36

Nombre de lames au mètre / Number of slats per 1 m of curtain height / Stabbedarf für 1 m Panzerhöhe 13,0

Largeur maximale du tablier, m / Max. curtain width, m / Maximalbreite, m5,0

Longueur standardisée, m / Standard length, m / Produktionslänge, m7,0

Commande standardisée, m / Standard pack, m / Verpackungseinheit, m28,0

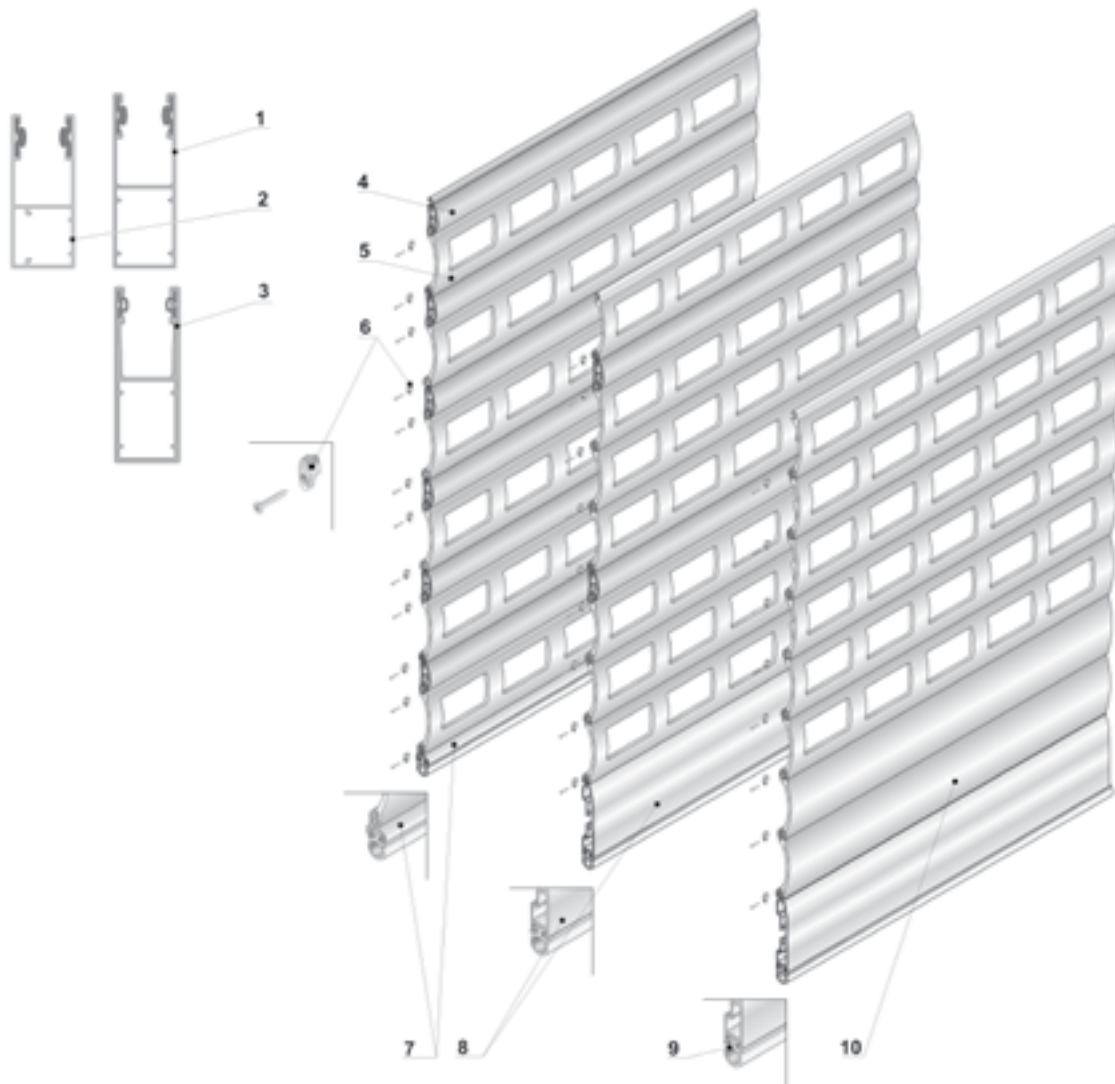


04

[Fr] LAMES POUR GRILLES
ENROULABLES

[En] PROFILES FOR ROLLING
GRILLS

[De] ROLLGITTERPROFILE

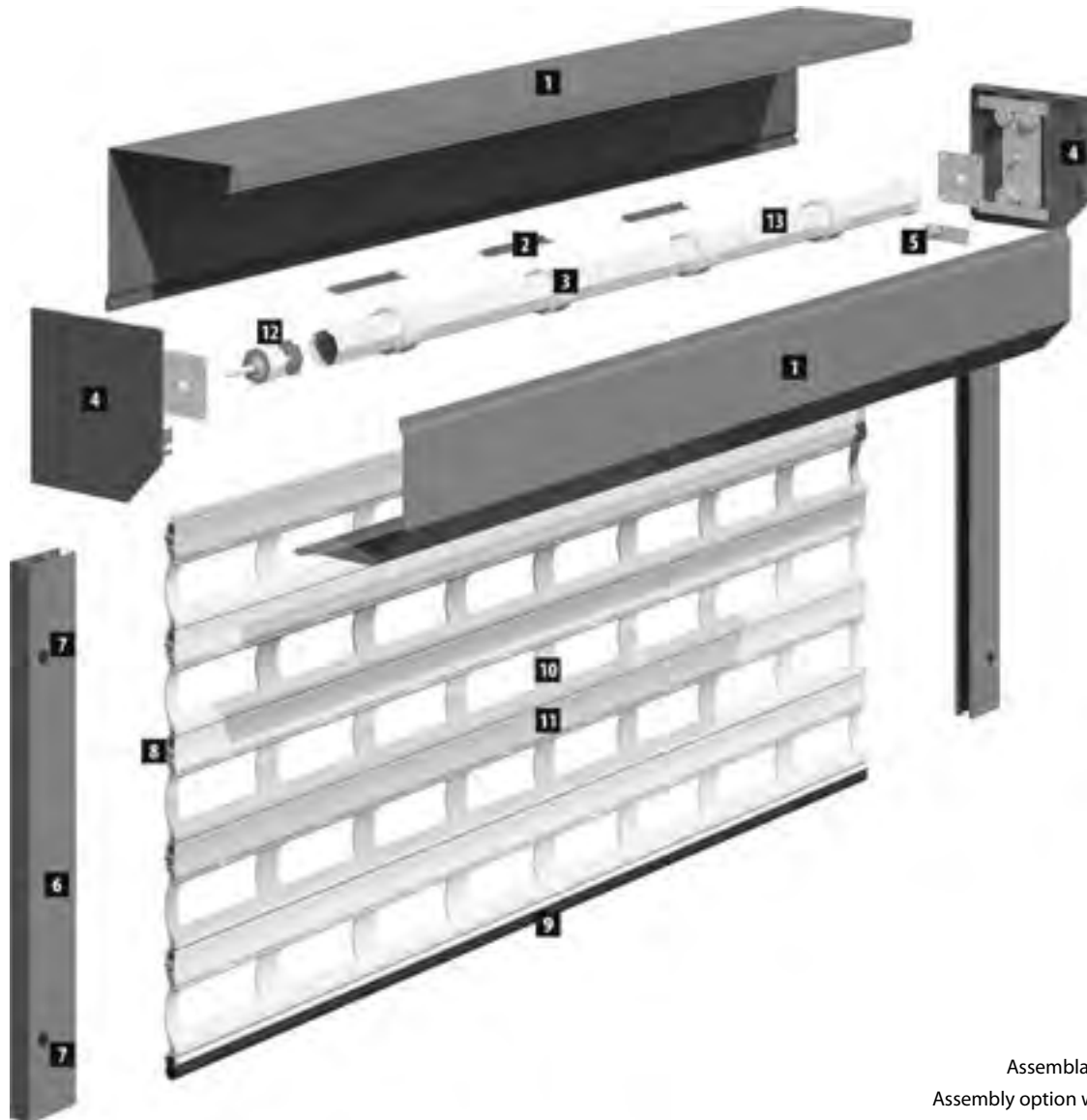
OPTIONS D'ASSEMBLAGE | ASSEMBLY OPTIONS | AUSSTATTUNGSVARIANTEN


1	Coulisse Guide rail Führungsschiene	GR75x27IE
2	Coulisse Guide rail Führungsschiene	GRM66x27IE
3	Coulisse Guide rail Führungsschiene	GR75x27/SE
4	Lame de renfort Verstärkungsprofil	AEG30/S

5	Lame pour grille enroulable Grillwork profile Gitterprofil	AEG56 AEG56/P
6	Bouchon latéral Side lock Arretierstück	SP/56
7	Lame finale End slat profile Schlussleiste	ES7

8	Lame pour verrou Key lock profile Riegelprofil	ESR60 ESR60R
9	Joint Insert Einlage	IS9
10	Lame Profile Profil	AER56

**ASSEMBLAGE STANDARD DES GRILLES ENROULABLES | STANDARD ASSEMBLY OF ROLLING GRILLS | ROLLGITTER-
STANDARDKONSTRUKTION**

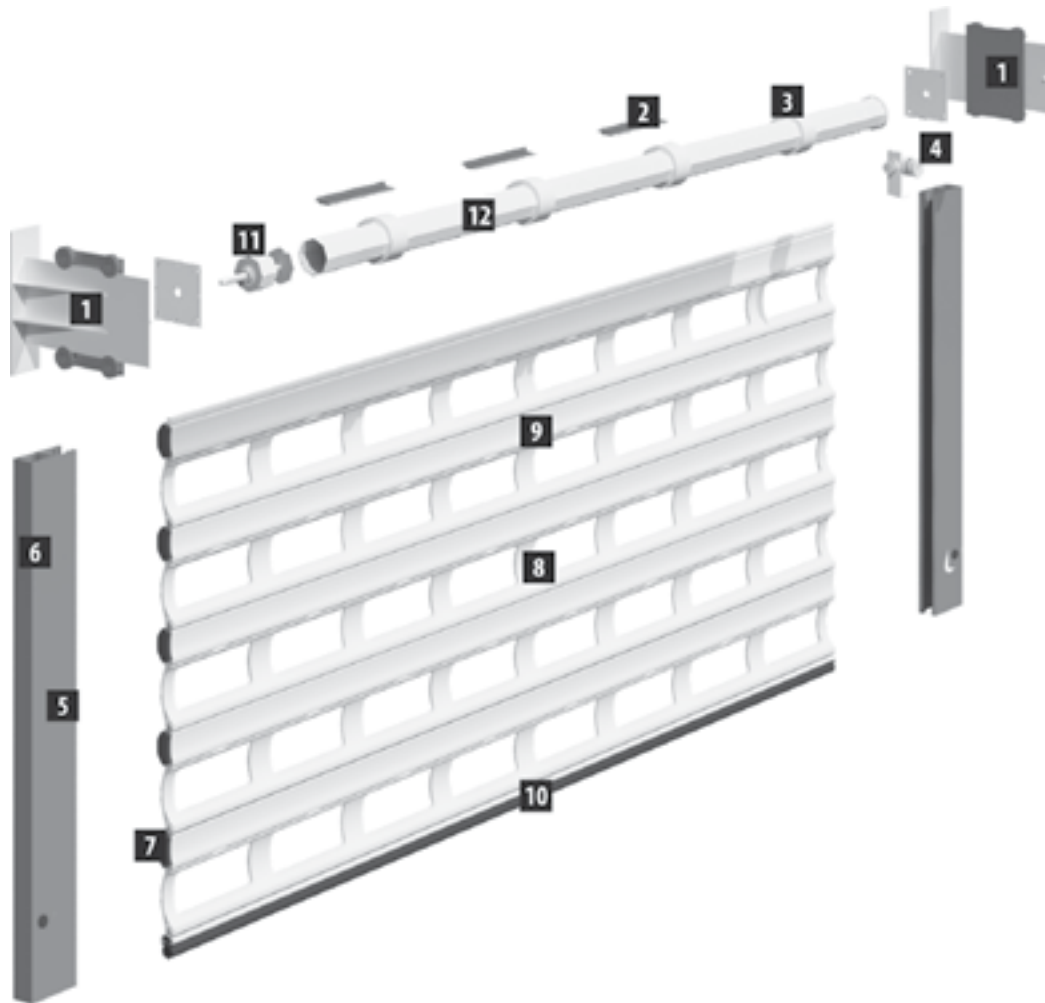


Assemblage avec caisson
Assembly option with shutter box
Montage mit Blendenkasten

1	Caisson Shutter box Blendenkasten	07 partie part Teil
2	Profilé de fixation Retainer profile Befestigungsleiste	04 partie part Teil
3	Bague de distance Distance ring Aufsteckring	08 partie part Teil
4	Joues latérales End caps Blendenkappen	07 partie part Teil
5	Rouleau de guidage Guide roller Einlaufrolle	11 partie part Teil

6	Coulisse Guide rail Führungsschiene	06 partie part Teil
7	Obturateur PVC plug button Abdeckkappe	11 partie part Teil
8	Bouchon latéral Side lock Arretierstück	04 partie part Teil
9	Lame finale End slat Schlussleiste	05 partie part Teil

10	Lame pour grilles enroulables Grillwork profile Gitterprofil	04 partie part Teil
11	Lame de renfort Reinforcer profile Verstärkungsprofil	04 partie part Teil
12	Embout modulable Adjustable cap Verstellbare Kapsel	08 partie part Teil
13	Tube octo Octagonal roll tube Achtkantwelle	08 partie part Teil

ASSEMBLAGE SUR CONSOLE | ASSEMBLY OPTION ON CONSOLE | MONTAGE AUF DEN KONSOLEN (OHNE KASTEN)


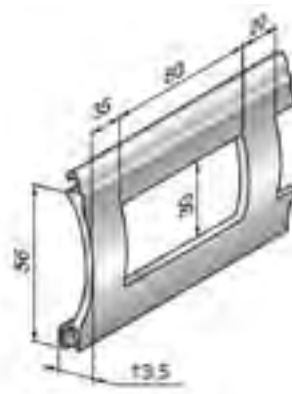
1	Console Console Konsole	07 partie part Teil
2	Profilé de fixation Retainer profile Befestigungsprofil	08 partie part Teil
3	Bague de distance Distance ring Aufsteckring	08 partie part Teil
4	Rouleau de guidage Guide roller Einlaufrolle	11 partie part Teil

5	Coulisse Guide rail Führungsschiene	06 partie part Teil
6	Obturateur PVC plug button Abdeckkappe	11 partie part Teil
7	Bouchon latéral Side lock Arretierstück	04 partie part Teil
8	Lame pour grilles enroulables Grillwork profile Gitterprofil	04 partie part Teil

9	Lame de renfort Reinforcer profile Verstärkungsprofil	04 partie part Teil
10	Lame finale End slat Schlussleiste	05 partie part Teil
11	Embout modulable Adjustable cap Verstellbare Kapsel	08 partie part Teil
12	Tube octo Octagonal roll tube Achtkantwelle	08 partie part Teil

AEG56 | LAME POUR GRILLES ENROULABLES | GRILLWORK PROFILE | GITTERPROFIL

Coloris	Colour	Farbe	Surface structurée	Surface lisse
			Shagreen	Gloss
			Oberfläche strukturiert	Oberfläche glänzend
Code • Code • Code				
brut	mill-finished	blank	1033300	
blanc	white	weiß	1033301	304009201
brun	brown	braun	1033302	304009202
gris	grey	grau	1033303	304009203
beige	beige	beige	1033304	304009204
alu argenté	silver	silber	1033308	304009208
crème	cream	cremeweiss	-	304009221
brun foncé	dark brown	dunkelbraun	304009122	304009222
anthracite	anthracite	anthrazit	-	304009213
vert sapin	green fir	tannengrün	-	304009215
ivoire claire	light ivory	hellelfenbein	-	304009223
vert mousse	green moss	moosgrün	-	304009225
bleu foncé	dark blue	dunkelblau	-	304009226
rouge pourpre	purple red	purpurrot	-	304009207
beige foncé	dark beige	dunkelbeige	-	304009224
bleu azuré	azure blue	azurblau	-	304009216
bronze	bronze	bronze	-	304009229
jaune	yellow	gelb	-	304009220
bleu ciel	sky blue	himmelblau	-	304009206
noir	black	schwarz	-	304009210



Extrudée en aluminium, étampée, compatible avec les lames **AEG56F** et **AEG30/S, AER56**

Aluminium, extruded. Used with **AEG56F, AEG30/S, AER56** profiles

Aluminium, stranggepresst. Wird in Verbindung mit Profilen **AEG56F, AER56** und **AEG30/S** verwendet

à utiliser avec le bouchon latéral **SP/56**

to be used with side lock **SP/56**

Wird zusammen mit Arretierstück **SP/56** verwendet

Classe de résistance à l'effraction **RC2** en conformité avec **EN1627**

RC2 class of burglar resistance according to **EN1627**

RC2-Klasse der Einbruchhemmung laut **EN1627**

Anodisation • Anodized coating • Eloxalbeschichtung

Coloris	Colour	Farbe	Code • Code • Code
alu argenté	silver	silber	1033330
bronze	bronze	bronze	1033333
champagne	champagne	champagner	1033337

Référence Article Artikel	Code Code	Description Description Beschreibung	Commande standardisée, pièces Standard pack, pcs Verpackungseinheit, Set
SP/56	1033510	avec un élément de fixation with fixation element mit Befestigungselement	1000

Poids de 1 ml, kg / Weight per 1 m, kg / Gewicht je lfd.m, kg	0,348
Poids de 1 m ² de la lame AEG56, kg / Weight per 1 m ² , kg / Gewicht je m ² , kg	6,22
Nombre de lames pour chaque mètre du hauteur de la grille / Number of slats per 1 m of curtain height / Stabbedarf für 1 m Panzerhöhe.....	17,86
Largeur maximale du tablier composé de lames AEG56, m / Max. curtain width (profile AEG56), m / Maximalbreite (Profil AEG56), m	3
Largeur maximale du tablier composé de lames AEG56+AEG30/S, m / Max. curtain width (for AEG56+AEG30/S combination), m / Maximalbreite bei verschiedenen Ausstattungsvarianten des Profils AEG56+AEG30/S, m	4,5
Surface maximale du tablier composé de lames AEG56, m ² / Max. curtain surface area (profile AEG56), m ² / Maximalfläche (Profil AEG56), m ²	7,5
Surface maximale du tablier composé de lames AEG56+AEG30/S, m ² / Max. curtain surface area (for AEG56+AEG30/S combination), m ² / Maximalfläche bei verschiedenen Ausstattungsvarianten des Profils AEG56+AEG30/S, m ²	13,5
Longueur standardisée, m / Standard length, m / Produktionslänge, m	7,0
Commande standardisée, m / Standard pack, m / Verpackungseinheit, m.....	35,0

Hauteur maximale du tablier en fonction des options d'assemblage, mm

Max. roller shutter curtain height depending on the assembly option, mm

Max. Panzerhöhe bei verschiedenen Ausstattungsvarianten des Rollladens, mm

Dimension de caisson, mm Shutter box size, mm Typengröße des Blendenkastens, mm	RT60x0,6 / RT60x0,8			RT70x1,2			RT102x2,5	
	RG	SS1901+RD60	AEG56F	RG	SS1901+RD70	AEG56F	SS190	AEG56F
165	728	1 568	1 568	-	-	-	-	-
180	1 456	2 016	2 016	1 232	2 184	2 184	-	-
205	2 408	3 024	2 968	2 184	2 856	2 744	2 184	2 184
250	-	-	-	3 472	4 648	4 648	4 032	4 032
300	-	-	-	5 768	6 552	6 496	5 824	5 992

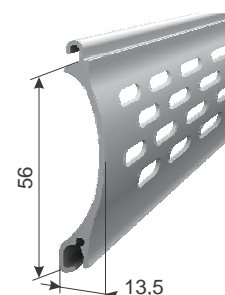
Pour l'enroulement de cette lame merci de consulter la p. 12.4 partie 12

To view the winding parameters for the grillwork profile, please refer to p. 12.9 part 12

Wickelparameter für Gitterprofil s. s. 12.14 Teil 12

AEG56/P | LAME POUR GRILLE ENROULABLES | GRILLE-WORK PROFILE | ROLLGITTERPROFIL

Coloris	Colour	Farbe	Surface structurée	Surface lisse
			Shagreen	Gloss
			Oberfläche strukturiert	Oberfläche glänzend
Code • Code • Code				
brut	mill-finished	blank	1033300	
blanc	white	weiß	304015101	304015201
brun	brown	braun	304015102	304015202
gris	grey	grau	304015103	304015203
beige	beige	beige	304015104	304015204
alu argenté	silver	silber	304015108	304015208
crème	cream	cremeweiss	–	304015221
brun foncé	dark brown	dunkelbraun	–	304015222
anthracite	anthracite	anthrazit	–	304015213
vert sapin	green fir	tannengrün	–	304015215
ivoire claire	light ivory	hellelfenbein	–	304015223
vert mousse	green moss	moosgrün	–	304015225
bleu foncé	dark blue	dunkelblau	–	304015226
rouge pourpre	purple red	purpurrot	–	304015207
beige foncé	dark beige	dunkelbeige	–	304015224
bleu azuré	azure blue	azurblau	–	304015216
bronze	bronze	bronze	–	304015229
jaune	yellow	gelb	–	304015220
bleu ciel	sky blue	himmelblau	–	304015206
noir	black	schwarz	–	304015210



En aluminium, extrudée, étampée. A utiliser avec les lames **AEG56F, AEG30/S, AER56**

Aluminium, extruded, stamped. To be used with **AEG56F, AEG30/S, AER56 profiles**

Aluminium, stranggepresst, gestanzt. Es wird zusammen mit Profilen **AEG56F, AEG30/S, AER56** verwendet.

Classe de résistance à l'effraction **RC3** en conformité avec **EN1627**

RC3 class of burglar resistance according to **EN1627**

RC3-Klasse der Einbruchhemmung laut **EN1627**

Anodisation • Anodized coating • Eloxalbeschichtung

Coloris	Colour	Farbe	Code • Code • Code
argent	silver	silber	304015650

A utiliser avec le bouchon latéral **SP/56**

To be used with the **SP/56** side lock

Wird zusammen mit Arretierstück **SP/56** verwendet

Ré-férence Article Artikel	Code Code Code	Description Description Beschreibung	Commande standardisée, pièces Standard pack, pcs Verpackungseinheit, Set
SP/56	1033510	avec un élément de fixation with fixation element mit Befestigungselement	1000

Poids de 1 ml, kg / Weight per 1 m, kg / Gewicht je lfd.m, kg	0,34
Poids de 1 m ² de la lame AEG56/P, kg / Weight per 1 m ² , kg / Gewicht je m ² , kg.....	6,07
Nombre de lames pour chaque mètre du hauteur de la grille / Number of slats per 1 m of curtain height / Stabbedarf für 1 m Panzerhöhe.....	17,86
Largeur maximale du tablier composé de lames AEG56/P, m / Max. curtain width (profile AEG56/P), m / Maximalbreite (Profil AEG56/P), m	3,0
Largeur maximale du tablier composé de lames AEG56/P+AEG30/S, m / Max. curtain width (for AEG56/P+AEG30/S combination), m / Maximalbreite bei verschiedenen Ausstattungsvarianten des Profils AEG56/P+AEG30/S, m	4,5
Surface maximale du tablier composé de lames AEG56/P, m ² / Max. curtain surface area (profile AEG56/P), m ² / Maximalfläche (Profil AEG56/P), m ²	7,5
Surface maximale du tablier composé de lames AEG56/P+AEG30/S, m ² / Max. curtain surface area (for AEG56/P+AEG30/S combination), m ² / Maximalfläche bei verschiedenen Ausstattungsvarianten des Profils AEG56/P+AEG30/S, m ²	13,5
Longueur standardisée, m / Standard length, m / Produktionslänge, m	7,0
Commande standardisée, m / Standard pack, m / Verpackungseinheit, m.....	35,0

Paramètres d'enroulement égaux à ceux de la lame **AEG56**

The same winding parameters as for the **AEG56** profile

Panzer-Wickelwerte wie bei **AEG56**

AER56 | LAME ALU EXTRUDÉE | EXTRUDED ALUMINIUM PROFILE | STRANGGEPRESSTES ALUMINIUMPROFIL

Coloris	Colour	Farbe	Surface structurée	Surface lisse
			Shagreen	Gloss
			Oberfläche strukturiert	Oberfläche glänzend
Code • Code • Code				
brut	mill-finished	blank	1033320	
blanc	white	weiß	1033321	304010201
brun	brown	braun	1033322	304010202
gris	grey	grau	1033323	304010203
beige	beige	beige	1033324	304010204
alu argenté	silver	silber	1033328	304010208
crème	cream	cremeweiss	-	304010221
brun foncé	dark brown	dunkelbraun	304010122	304010222
anthracite	anthracite	anthrazit	-	304010213
vert sapin	green fir	tannengrün	-	304010215
ivoire claire	light ivory	hellelfenbein	-	304010223
vert mousse	green moss	moosgrün	-	304010225
bleu foncé	dark blue	dunkelblau	-	304010226
rouge pourpre	purple red	purpurrot	-	304010207
beige foncé	dark beige	dunkelbeige	-	304010224
bleu azuré	azure blue	azurblau	-	304010216
bronze	bronze	bronze	-	304010229
jaune	yellow	gelb	-	304010220
bleu ciel	sky blue	himmelblau	-	304010206
noir	black	schwarz	-	304010210



Extrudée en aluminium, compatible avec les lames **AEG56**, **AEG56/P**, **AEG30/S** et **AEG56F**

Aluminium, extruded. Used with **AEG56**, **AEG56/P**, **AEG30/S** and **AEG56F** profiles

Aluminium, stranggepresst. Wird in Verbindung mit Profilen **AEG56**, **AEG56/P**, **AEG30/S** und **AEG56F** verwendet

à utiliser avec le bouchon latéral **SP/56**

to be used with side lock **SP/56**

Wird zusammen mit Arretierstück **SP/56** verwendet

Anodisation • Anodized coating • Eloxalbeschichtung

Coloris	Colour	Farbe	Code • Code • Code
alu argenté	silver	silber	1033380
bronze	bronze	bronze	1033383
champagne	champagne	champagner	1033387

Référence Article	Code Code	Description Description	Commande standardisée, pièces Standard pack, pcs
SP/56	1033510	avec un élément de fixation with fixation element mit Befestigungselement	1000

Nombre de lames au mètre / Number of slats per 1 m of curtain height / Stabbedarf für 1 m Panzerhöhe 17,86
 Poids de 1 ml, kg / Weight per 1 m, kg / Gewicht je lfd.m, kg 0,474
 Longueur standardisée, m / Standard length, m / Produktionslänge, m 7,0
 Commande standardisée, m / Standard pack, m / Verpackungseinheit, m 35,0

Hauteur maximale du tablier en fonction des options d'assemblage, mm

Max. roller shutter curtain height depending on the assembly option, mm

Max. Panzerhöhe bei verschiedenen Ausstattungsvarianten des Rollladens, mm

Dimension de caisson, mm Shutter box size, mm Typengröße des Blendenkastens, mm	RT60x0,6 / RT60x0,8			RT70x1,2			RT102x2,5	
	RG	SS1901+RD60	AEG56F	RG	SS1901+RD70	AEG56F	SS190	AEG56F
165	728	1 568	1 568	-	-	-	-	-
180	1 456	2 016	2 016	1 232	2 184	2 184	-	-
205	2 408	3 024	2 968	2 184	2 856	2 744	2 184	2 184
250	-	-	-	3 472	4 648	4 648	4 032	4 032
300	-	-	-	5 768	6 552	6 496	5 824	5 992

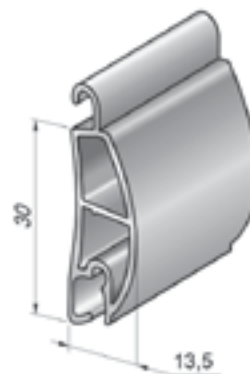
Pour l'enroulement de cette lame merci de consulter la p. 12.4partie 12

To view the winding parameters for the grillwork profile, please, refer to p. 12.9 part 12

Wickelparameter für Gitterprofil s. s. 12.14 Teil 12

AEG30/S | LAME DE RENFORT | REINFORCER PROFILE | VERSTÄRKUNGSPROFIL

Coloris	Colour	Farbe	Surface structurée Shagreen Oberfläche strukturiert	Surface lisse Gloss Oberfläche glänzend
			Code • Code • Code	
brut	mill-finished	blank	1033700	
blanc	white	weiß	1033701	304011201
brun	brown	braun	1033702	304011202
gris	grey	grau	1033703	304011203
beige	beige	beige	1033704	304011204
alu argenté	silver	silber	1033708	304011208
crème	cream	cremeweiss	-	304011221
brun foncé	dark brown	dunkelbraun	304011122	304011222
anthracite	anthracite	anthrazit	-	304011213
vert sapin	green fir	tannengrün	-	304011215
ivoire claire	light ivory	hellelfenbein	-	304011223
vert mousse	green moss	moosgrün	-	304011225
bleu foncé	dark blue	dunkelblau	-	304011226
rouge pourpre	purple red	purpurrot	-	304011207
beige foncé	dark beige	dunkelbeige	-	304011224
bleu azuré	azure blue	azurblau	-	304011216
bronze	bronze	bronze	-	304011229
jaune	yellow	gelb	-	304011220
bleu ciel	sky blue	himmelblau	-	304011206
noir	black	schwarz	-	304011210



Extrudée en aluminium, compatible avec les lames **AEG56, AEG56/P, AEG56F** et **AER56**

Aluminium, extruded. Used with **AEG56, AEG56/P, AEG56F** and **AER56** profiles

Aluminium, stranggepresst. Wird in Verbindung mit Profilen **AEG56, AEG56/P, AEG56F** und **AER56** verwendet

à utiliser avec le bouchon latéral **SP/56**

to be used with side lock **SP/56**

Wird zusammen mit Arretierstück **SP/56** verwendet

Anodisation • Anodized coating • Eloxalbeschichtung

Coloris	Colour	Farbe	Code • Code • Code
alu argenté	silver	silber	1033730
bronze	bronze	bronze	1033733
champagne	champagne	champagner	1033737



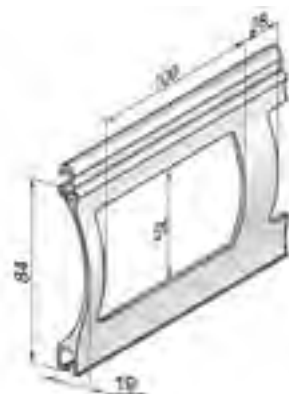
Référence Article Artikel	Code Code Code	Description Description Beschreibung	Commande standardisée, pièces Standard pack, pcs Verpackungseinheit, Set
SP/56	1033510	avec un élément de fixation with fixation element mit Befestigungselement	1000

Poids de 1 ml, kg / Weight per 1 m, kg / Gewicht je lfd.m, kg0,367
 Longueur standardisée, m / Standard length, m / Produktionslänge, m7,0
 Commande standardisée, m / Standard pack, m / Verpackungseinheit, m 35,0

Pour l'enroulement de cette lame merci de consulter la p. 12.4 partie 12
 To view the winding parameters for the grillwork profile, please, refer to p. 12.9 part 12
 Wickelparameter für Gitterprofil s. s. 12.14 Teil 12

AEG84 | LAME POUR GRILLES ENROULABLES | GRILLWORK PROFILE | GITTERPROFIL

Coloris	Colour	Farbe	Surface structurée Shagreen Oberfläche strukturiert	Surface lisse Gloss Oberfläche glänzend
			Code • Code • Code	
brut	mill-finished	blank	1034100	
blanc	white	weiß	1034101	304013201
brun	brown	braun	1034102	304013202
gris	grey	grau	1034103	304013203
beige	beige	beige	1034104	304013204
alu argenté	silver	silber	1034108	304013208
crème	cream	cremeweiss	-	304013221
brun foncé	dark brown	dunkelbraun	304013122	304013222
anthracite	anthracite	anthrazit	-	304013213
vert sapin	green fir	tannengrün	-	304013215
ivoire claire	light ivory	hellelfenbein	-	304013223
vert mousse	green moss	moosgrün	-	304013225
bleu foncé	dark blue	dunkelblau	-	304013226
rouge pourpre	purple red	purpurrot	-	304013207
beige foncé	dark beige	dunkelbeige	-	304013224
bleu azuré	azure blue	azurblau	-	304013216
bronze	bronze	bronze	-	304013229
jaune	yellow	gelb	-	304013220
bleu ciel	sky blue	himmelblau	-	304013206
noir	black	schwarz	-	304013210



Extrudée en aluminium, étampée, compatible avec les lames **AEG84F, AER84** et **AEG45/S**

Aluminium, extruded. Used with **AEG84F, AER84, AEG45/S** profiles
Aluminium, stranggepresst. Wird in Verbindung mit Profilen **AEG84F, AER84, AEG45/S** verwendet

à utiliser avec le bouchon latéral **SP/84**

to be used with side lock **SP/84**

Wird zusammen mit Arretierstück **SP/84** verwendet

Anodisation • Anodized coating • Eloxalbeschichtung

Coloris	Colour	Farbe	Code • Code • Code
alu argenté	silver	silber	1034170
bronze	bronze	bronze	1034173
champagne	champagne	champagner	1034177

Référence Article Artikel	Code Code Code	Description Description Beschreibung	Commande standardisée, pièces Standard pack, pcs Verpackungseinheit, Set
SP/84	1034150	avec un élément de fixation with fixation element mit Befestigungselement	1000

Poids de 1 ml, kg / Weight per 1 m, kg / Gewicht je lfd.m, kg	0,598
Poids de 1 m ² de la lame AEG84, kg / Weight per 1 m ² , kg / Gewicht je m ² , kg	7,12
Nombre de lames pour une grille de 1 m de hauteur / Number of slats per 1 m of curtain height / Stabbedarf für 1 m Panzerhöhe	11,9
Largeur maximale du tablier composé de lames AEG84, m / Max. curtain width (profile AEG84), m / Maximalbreite (Profil AEG84), m	5,5
Largeur maximale du tablier composé de lames AEG84+AEG45/S, m / Max. curtain width (for AEG84+AEG45/S combination), m / Maximalbreite bei verschiedenen Ausstattungsvarianten des Profils AEG84+AEG45/S, m	7
Surface maximale du tablier composé de lames AEG84, m ² / Max. curtain surface area (profile AEG84), m ² / Maximalfläche (Profil AEG84), m ²	16,5
Surface maximale du tablier composé de lames AEG84+AEG45/S, m ² / Max. curtain surface area (for AEG84+AEG45/S combination), m ² / Maximalfläche bei verschiedenen Ausstattungsvarianten des Profils AEG84+AEG45/S, m ²	21,0
Longueur standardisée, m / Standard length, m / Produktionslänge, m	7,0
Commande standardisée, m / Standard pack, m / Verpackungseinheit, m	35,0

Hauteur maximale du tablier en fonction des options d'assemblage, mm

Max. roller shutter curtain height depending on the assembly option, mm

Max. Panzerhöhe bei verschiedenen Ausstattungsvarianten des Rollladens, mm

Dimension de caisson, mm Shutter box size, mm Typengröße des Blendenkastens, mm	RT102x2,5	
	SS190+RD102	AEG84F+RD102
250	2 520	2 436
300	4 620	4 536
360	6 552	6 384
405	-	8 316

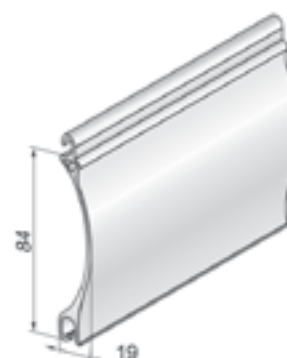
Pour l'enroulement de cette lame merci de consulter la p. 12.5 partie 12

To view the winding parameters for the grillwork profile, please, refer to p. 12.10 part 12

Wickelparameter für Gitterprofil s. s. 12.15 Teil 12

AER84 | LAME ALU EXTRUDÉE | EXTRUDED ALUMINIUM PROFILE | STRANGGEPRESSTES ALUMINIUMPROFIL

Coloris	Colour	Farbe	Surface structurée Shagreen Oberfläche strukturiert	Surface lisse Gloss Oberfläche glänzend
			Code • Code • Code	
brut	mill-finished	blank	304014100	
blanc	white	weiß	304014101	304014201
brun	brown	braun	304014102	304014202
gris	grey	grau	304014103	304014203
beige	beige	beige	304014104	304014204
alu argenté	silver	silber	304014108	304014208
crème	cream	cremeweiss	-	304014221
brun foncé	dark brown	dunkelbraun	304014122	304014222
anthracite	anthracite	anthrazit	-	304014213
vert sapin	green fir	tannengrün	-	304014215
ivoire claire	light ivory	hellelfenbein	-	304014223
vert mousse	green moss	moosgrün	-	304014225
bleu foncé	dark blue	dunkelblau	-	304014226
rouge pourpre	purple red	purpurrot	-	304014207
beige foncé	dark beige	dunkelbeige	-	304014224
bleu azuré	azure blue	azurblau	-	304014216
bronze	bronze	bronze	-	304014229
jaune	yellow	gelb	-	304014220
bleu ciel	sky blue	himmelblau	-	304014206
noir	black	schwarz	-	304014210



Extrudée en aluminium, compatible avec les lames **AEG84, AEG45/S, AEG84F**

Aluminium, extruded. Used with **AEG84, AEG45/S, AEG84F** profiles

Aluminium, stranggepresst. Wird in Verbindung mit Profilen **AEG84, AEG45/S, AEG84F** verwendet

à utiliser avec le bouchon latéral **SP/84**

to be used with side lock **SP/84**

Wird zusammen mit Arretierstück **SP/84** verwendet

Anodisation • Anodized coating • Eloxalbeschichtung

Coloris	Colour	Farbe	Code • Code • Code
alu argenté	silver	silber	304014600
bronze	bronze	bronze	304014603
champagne	champagne	champagner	304014606

Référence Article Artikel	Code Code Code	Description Description Beschreibung	Commande standardisée, pièces Standard pack, pcs Verpackungseinheit, Set
SP/84	1034150	avec un élément de fixation with fixation element mit Befestigungselement	1000



Nombre de lames au mètre / Number of slats per 1 m of curtain height / Stabbedarf für 1 m Panzerhöhe 11,9
 Poids de 1 ml, kg / Weight per 1 m, kg / Gewicht je lfd.m, kg 0,88
 Longueur standardisée, m / Standard length, m / Produktionslänge, m 7,0
 Commande standardisée, m / Standard pack, m / Verpackungseinheit, m 35,0

Hauteur maximale du tablier en fonction des options d'assemblage, mm

Max. roller shutter curtain height depending on the assembly option, mm

Max. Panzerhöhe bei verschiedenen Ausstattungsvarianten des Rollladens, mm

Dimension de caisson, mm Shutter box size, mm Typengröße des Blendenkastens, mm	RT102x2,5	
	SS190+RD102	AEG84F+RD102
250	2 520	2 436
300	4 620	4 536
360	6 552	6 384
405	-	8 316

Pour l'enroulement de cette lame merci de consulter la p. 12.5 partie 12

To view the winding parameters for the grillwork profile, please, refer to p. 12.10 part 12

Wickelparameter für Gitterprofil s. s. 12.15 Teil 12

AEG45/S | LAME DE RENFORT | REINFORCER PROFILE | VERSTÄRKUNGSPROFIL

Coloris	Colour	Farbe	Surface structurée	Surface lisse
			Shagreen	Gloss
			Oberfläche strukturiert	Oberfläche glänzend
Code • Code • Code				
brut	mill-finished	blank	1034130	
blanc	white	weiß	1034131	304012201
brun	brown	braun	1034132	304012202
gris	grey	grau	1034133	304012203
beige	beige	beige	1034134	304012204
alu argenté	silver	silber	1034138	304012208
crème	cream	cremeweiss	-	304012221
brun foncé	dark brown	dunkelbraun	304012122	304012222
anthracite	anthracite	anthrazit	-	304012213
vert sapin	green fir	tannengrün	-	304012215
ivoire claire	light ivory	hellelfenbein	-	304012223
vert mousse	green moss	moosgrün	-	304012225
bleu foncé	dark blue	dunkelblau	-	304012226
rouge pourpre	purple red	purpurrot	-	304012207
beige foncé	dark beige	dunkelbeige	-	304012224
bleu azuré	azure blue	azurblau	-	304012216
bronze	bronze	bronze	-	304012229
jaune	yellow	gelb	-	304012220
bleu ciel	sky blue	himmelblau	-	304012206
noir	black	schwarz	-	304012210

Anodisation • Anodized coating • Eloxalbeschichtung

Coloris	Colour	Farbe	Code • Code • Code
alu argenté	silver	silber	1034180
bronze	bronze	bronze	1034183
champagne	champagne	champagner	1034187



Extrudée en aluminium, compatible avec les lames **AER84**, **AEG84** et **AEG84F**

Aluminium, extruded. Used with **AER84**, **AEG84** and **AEG84F** profiles

Aluminium, stranggepresst. Wird in Verbindung mit Profilen **AER84**, **AEG84** und **AEG84F** verwendet

à utiliser avec le bouchon latéral **SP/84**

to be used with side lock **SP/84**

Wird zusammen mit Arretierstück **SP/84** verwendet



Référence Article Artikel	Code Code Code	Description Description Beschreibung	Commande standardisée, pièces Standard pack, pcs Verpackungseinheit, Set
SP/84	1034150	avec un élément de fixation with fixation element mit Befestigungselement	1000

Poids de 1 ml, kg / Weight per 1 m, kg / Gewicht je lfd.m, kg	0,790
Surface maximale du tablier assemblé de la manière suivante AEG84 + AEG45/S, m ² / Max. curtain surface area (for AEG84 + AEG45/S profile combination), m ² / Maximalfläche bei verschiedenen Ausstattungsvarianten des Profils AEG84 + AEG45/S, m ²	21
Longueur standardisée, m / Standard length, m / Produktionslänge, m.....	7,0
Commande standardisée, m / Standard pack, m / Verpackungseinheit, m.....	35,0

Pour l'enroulement de cette lame merci de consulter la p. 12.5 partie 12

To view the winding parameters for the grillwork profile, please refer to p. 12.10 part 12

Wickelparameter für Gitterprofil s. s. 12.15 Teil 12



ALUTECH
ROLLER SHUTTER SYSTEMS

05

[Fr] LAMES FINALES

[En] END SLATS

[De] SCHLUSSLEISTEN

ESU9×35 (I) | LAME FINALE | END SLAT | SCHLUSSLEISTE

Extrudée en aluminium, compatible avec les lames **AR/377, AR/39, AR/40, ARH/40, AR/41, AER42, AER44m/S, AER44/S, AR/45, AR/55m**. Il permet aussi d'installer l'embout pour lame finale **SPT8E**

Aluminium, extruded, for **AR/377, AR/39, AR/40, ARH/40, AR/41, AER42, AER44m/S, AER44/S, AR/45, AR/55m** profiles. Applied with stopper **SPT8E**

Aluminium, stranggepresst, für Profile **AR/377, AR/39, AR/40, ARH/40, AR/41, AER42, AER44m/S, AER44/S, AR/45, AR/55m**. Wird zusammen mit Anschlagstopfen **SPT8E** eingesetzt



ESU9×35 — sans joint / without insert / ohne Einlage

ESU9×35I — avec le joint **IS19** / with **IS19** insert / mit Einlage **IS19**

Coloris	Colour	Farbe	ESU9×35		ESU9×35I	
			Code	Surface structurée	Surface lisse	
				Oberfläche strukturiert	Gloss	
			Code • Code • Code	Oberfläche glänzend		
brut	mill-finished	blank	308031100	–	–	
blanc	white	weiß	–	308041101	308041201	
brun	brown	braun	–	308041102	308041202	
gris	grey	grau	–	308041103	308041203	
beige	beige	beige	–	308041104	308041204	
bleu ciel	sky blue	himmelblau	–	–	308041206	
rouge pourpre	purple red	purpurrot	–	–	308041207	
alu argenté	silver	silber	–	308041108	308041208	
noir	black	schwarz	–	–	308041210	
anthracite	anthracite	anthrazit	–	–	308041213	
vert sapin	green fir	tannengrün	–	–	308041215	
bleu azuré	azure blue	azurblau	–	–	308041216	
jaune	yellow	gelb	–	–	308041220	
crème	cream	cremeweiss	–	–	308041221	
brun foncé	dark brown	dunkelbraun	–	308041122	308041222	
ivoire claire	light ivory	hellelfenbein	–	–	308041223	
beige foncé	dark beige	dunkelbeige	–	–	308041224	
vert mousse	green moss	moosgrün	–	–	308041225	
bleu foncé	dark blue	dunkelblau	–	–	308041226	
bronze	bronze	bronze	–	–	308041229	
chêne doré	golden oak	goldene Eiche	–	308041119	–	
chêne irlandais	irish oak	Eiche hell	–	308041139	–	
merisier	black cherry	Kirsche	–	308041149	–	
noyer	nut	Nussbaum	–	308041159	–	

ESU9×35

Poids de 1 ml, kg / Weight per 1 m, kg / Gewicht je lfd.m, kg0,237

ESU9×35I

Poids de 1 ml, kg / Weight per 1 m, kg / Gewicht je lfd.m, kg0,267

Longueur standardisée, m / Standard length, m / Produktionslänge, m6,0

Commande standardisée, m / Standard pack, m / Verpackungseinheit, m30,0

ESU8x60E | LAME FINALE UNIVERSELLE | UNIVERSAL END SLAT | UNIVERSAL-SCHLUSSLEISTE

Extrudée en aluminium, compatible avec les lames **AR/377, AR/39, AR/40, ARH/40, AR/45, AR/41, AR/55m, AER42, AER44m/S, AER44/S** à utiliser avec le joint **IS10, IS19**. Il permet aussi d'installer l'embout pour lame finale **SPT9E**

Aluminium, extruded, for **AR/377, AR/39, AR/40, ARH/40, AR/45, AR/41, AR/55m, AER42, AER44m/S, AER44/S** profiles, with groove for **IS10, IS19** insert. Applied with stopper **SPT9E**

Aluminium, stranggepresst, für Profile **AAR/377, AR/39, AR/40, ARH/40, AR/45, AR/41, AR/55m, AER42, AER44m/S, AER44/S** mit Rinne für Einlage **IS10, IS19**. Wird zusammen mit Anschlagstopfen **SPT9E** eingesetzt

ESU8x60E — sans joint, code 308007100 / without insert, code 308007100 / ohne Einlage, Code 308007100

ESU8x60IE — avec le joint **IS19** / with **IS19** insert / mit Einlage **IS19**

ESU8x60BE — avec le joint **IS10** / with **IS10** insert / mit Einlage **IS10**

ESU8x60E



ESU8x60IE



ESU8x60BE



ESU8x60IE

ESU8x60BE

Coloris	Colour	Farbe	Surface structurée	Surface lisse	Surface structurée	Surface lisse
			Shagreen	Gloss	Shagreen	Gloss
			Oberfläche strukturiert	Oberfläche glänzend	Oberfläche strukturiert	Oberfläche glänzend
Code • Code • Code						
brut	mill-finished	blank	308023100		-	
blanc	white	weiß	308023101	308023201	308008101	308008201
brun	brown	braun	308023102	308023202	308008102	308008202
gris	grey	grau	308027103	308023203	308008103	308008203
beige	beige	beige	308027104	308023204	308008104	308008204
alu argenté	silver	silber	308027108	308023208	308008108	308008208
crème	cream	cremeweiss	-	308023221	-	308008221
brun foncé	dark brown	dunkelbraun	308023122	308023222	308008122	308008222
anthracite	anthracite	anthrazit	-	308023213	-	308008213
vert sapin	green fir	tannengrün	-	308023215	-	308008215
ivoire claire	light ivory	hellelfenbein	-	308023223	-	308008223
vert mousse	green moss	moosgrün	-	308023225	-	308008225
bleu foncé	dark blue	dunkelblau	-	308023226	-	308008226
rouge pourpre	purple red	purpurrot	-	308023207	-	308008207
beige foncé	dark beige	dunkelbeige	-	308023224	-	308008224
bleu azuré	azure blue	azurblau	-	308023216	-	308008216
bronze	bronze	bronze	-	308023229	-	308008229
jaune	yellow	gelb	-	308023220	-	308008220
bleu ciel	sky blue	himmelblau	-	308023206	-	308008206
noir	black	schwarz	-	308023210	-	308008210

ESU8x60E

Poids de 1 ml, kg / Weight per 1 m, kg / Gewicht je lfd.m, kg0,391

ESU8x60IE

Poids de 1 ml, kg / Weight per 1 m, kg / Gewicht je lfd.m, kg0,404

ESU8x60BE

Poids de 1 ml, kg / Weight per 1 m, kg / Gewicht je lfd.m, kg0,424

Longueur standardisée, m / Standard length, m / Produktionslänge, m6,0

Commande standardisée, m / Standard pack, m / Verpackungseinheit, m30,0

ESL9x50(I)/eco | LAME FINALE | END SLAT | SCHLUSSLEISTE

Extrudée en aluminium, compatible avec les lames **AR/377, AR/39, AR/40, ARH/40, AR/41, AR/45, AR/55m, AER42, AER44m/S, AER44/S**. Il permet aussi d'installer le verrou automatique AL, l'embout pour lame finale **SPT9E**.

Aluminium, extruded, for **AR/377, AR/39, AR/40, ARH/40, AR/41, AR/45, AR/55m, AER42, AER44m/S, AER44/S** profiles. Applied with AL automatic locking device (automatic lock) and stopper **SPT9E**.

Aluminium, strangepresst, für Profile **AR/377, AR/39, AR/40, ARH/40, AR/41, AR/45, AR/55m, AER42, AER44m/S, AER44/S**. Wird zusammen mit automatischem Riegel AL und Anschlagstopfen **SPT9E** eingesetzt.



ESL9x50/eco — sans joint / without insert / ohne Einlage

ESL9x50I/eco — avec le joint **IS19** / with **IS19** insert / mit Einlage **IS19**

ESL9x50/eco
ESL9x50I/eco

Coloris	Colour	Farbe	Surface structurée	Surface lisse	Surface structurée	Surface lisse
			Shagreen	Gloss	Shagreen	Gloss
			Oberfläche strukturiert	Oberfläche glänzend	Oberfläche strukturiert	Oberfläche glänzend
Code • Code • Code						
brut	mill-finished	blank	308074100		-	
blanc	white	weiß	308074101	308074201	308075101	308075201
brun	brown	braun	308074102	308074202	308075102	308075202
gris	grey	grau	308074103	308074203	308075103	308075203
beige	beige	beige	308074104	308074204	308075104	308075204
bleu ciel	sky blue	himmelblau	-	308074206	-	308075206
rouge pourpre	purple red	purpurrot	-	308074207	-	308075207
alu argenté	silver	silber	308074108	308074208	308075108	308075208
noir	black	schwarz	-	308074210	-	308075210
anthracite	anthracite	anthrazit	-	308074213	-	308075213
vert sapin	green fir	tannengrün	-	308074215	-	308075215
bleu azuré	azure blue	azurblau	-	308074216	-	308075216
jaune	yellow	gelb	-	308074220	-	308075220
crème	cream	cremeweiss	-	308074221	-	308075221
brun foncé	dark brown	dunkelbraun	308074122	308074222	308075122	308075222
ivoire claire	light ivory	hell elfenbein	-	308074223	-	308075223
beige foncé	dark beige	dunkelbeige	-	308074224	-	308075224
vert mousse	green moss	moosgrün	-	308074225	-	308075225
bleu foncé	dark blue	dunkelblau	-	308074226	-	308075226
bronze	bronze	bronze	-	308074229	-	308075229
chêne doré	golden oak	goldene Eiche	308074119	-	308075119	-
chêne irlandais	irish oak	Eiche hell	308074139	-	308075139	-
merisier	black cherry	Kirsche	308074149	-	308075149	-
noyer	nut	Nussbaum	308074159	-	308075159	-

ESL9x50/eco

Poids de 1 ml, kg / Weight per 1 m, kg / Gewicht je lfd.m, kg 0,2625

ESL9x50I/eco

Poids de 1 ml, kg / Weight per 1 m, kg / Gewicht je lfd.m, kg 0,31

Longueur standardisée, m / Standard length, m / Produktionslänge, m 6,0

Commande standardisée, m / Standard pack, m / Verpackungseinheit, m 30,0

ESL9x50 (I) | LAME FINALE | END SLAT | SCHLUSSLEISTE

Extrudée en aluminium, compatible avec les lames **AR/377, AR/39, AR/40, ARH/40, AR/41, AER42, AER44m/S, AER44/S, AR/45, AR/55m**. Il permet aussi d'installer le verrou automatique **AL**, l'embout pour lame finale **SPT9E**

Aluminium, extruded, for **AR/377, AR/39, AR/40, ARH/40, AR/41, AER42, AER44m/S, AER44/S, AR/45, AR/55m** profiles. Applied with AL automatic locking device (automatic lock) and stopper **SPT9E**

Aluminium, stranggepresst, für Profile **AR/377, AR/39, AR/40, ARH/40, AR/41, AER42, AER44m/S, AER44/S, AR/45, AR/55m**. Wird zusammen mit automatischem Riegel **AL** und Anschlagstopfen **SPT9E** eingesetzt.



ESL9x50 — sans joint / without insert / ohne Einlage

ESL9x50I — avec le joint **IS19** / with **IS19** insert / mit Einlage **IS19**

Coloris	Colour	Farbe	ESL9x50		ESL9x50I	
			Code • Code • Code	Surface structurée	Surface lisse	
				Oberfläche strukturiert	Gloss	
				Oberfläche glänzend		
brut	mill-finished	blank	308032100	-		
blanc	white	weiß	-	308042101	308042201	
brun	brown	braun	-	308042102	308042202	
gris	grey	grau	-	308042103	308042203	
beige	beige	beige	-	308042104	308042204	
bleu ciel	sky blue	himmelblau	-	-	308042206	
rouge pourpre	purple red	purpurrot	-	-	308042207	
alu argenté	silver	silber	-	308042108	308042208	
noir	black	schwarz	-	-	308042210	
anthracite	anthracite	anthrazit	-	-	308042213	
vert sapin	green fir	tannengrün	-	-	308042215	
bleu azuré	azure blue	azurblau	-	-	308042216	
jaune	yellow	gelb	-	-	308042220	
crème	cream	cremeweiss	-	-	308042221	
brun foncé	dark brown	dunkelbraun	-	308042122	308042222	
ivoire claire	light ivory	hellelfenbein	-	-	308042223	
beige foncé	dark beige	dunkelbeige	-	-	308042224	
vert mousse	green moss	moosgrün	-	-	308042225	
bleu foncé	dark blue	dunkelblau	-	-	308042226	
bronze	bronze	bronze	-	-	308042229	
chêne doré	golden oak	goldene Eiche	-	308042119	-	
chêne irlandais	irish oak	Eiche hell	-	308042139	-	
merisier	black cherry	Kirsche	-	308042149	-	
noyer	nut	Nussbaum	-	308042159	-	

Plaxage par le film Renolit • Lamination by Renolit film • Kaschierung mit Renolit-Folie

Coloris	Colour	Farbe	Code • Code • Code
chêne doré Renolit	golden oak Renolit	goldene Eiche Renolit	308042419
noyer Renolit	nut Renolit	Nussbaum Renolit	308042459



ESL9x50I

Schema d'application
Application scheme
Schema der Auftragung

ESL9x50

Poids de 1 ml, kg / Weight per 1 m, kg / Gewicht je lfd.m, kg0,338

ESL9x50I

Poids de 1 ml, kg / Weight per 1 m, kg / Gewicht je lfd.m, kg0,368

Longueur standardisée, m / Standard length, m / Produktionslänge, m6,0

Commande standardisée, m / Standard pack, m / Verpackungseinheit, m 30,0

ESU13x52 (I) | LAME FINALE UNIVERSELLE | UNIVERSAL END SLAT | UNIVERSAL-SCHLUSSLEISTE

Extrudée en aluminium, compatible avec les lames **AR/52, AR/555, AR/55, ARH/55, AER55m/S, AER55/S** à utiliser avec le joint **IS14**.

Aluminium, extruded, for **AR/52, AR/555, AR/55, ARH/55, AER55m/S, AER55/S** profiles, with groove for **IS14** insert.

Aluminium, stranggepresst, für Profile **AR/52, AR/555, AR/55, ARH/55, AER55m/S, AER55/S** mit Rinne für Einlage **IS14**.

ESU13x52 — sans joint / without insert / ohne Einlage

ESU13x52I — avec le joint **IS14** / with **IS14** insert / mit Einlage **IS14**

ESU13x52



ESU13x52I



ESU13x52

Coloris	Colour	Farbe	Code • Code • Code
brut	mill-finished	blank	308018100

ESU13x52I

Coloris	Colour	Farbe	Surface structurée	Surface lisse
			Shagreen	Gloss
			Oberfläche strukturiert	Oberfläche glänzend
Code • Code • Code				
blanc	white	weiß	308019101	308019201
brun	brown	braun	308019102	308019202
gris	grey	grau	308019103	308019203
beige	beige	beige	308019104	308019204
alu argenté	silver	silber	308019108	308019208
crème	cream	cremeweiss	-	308019221
brun foncé	dark brown	dunkelbraun	308019122	308019222
anthracite	anthracite	anthrazit	-	308019213
vert sapin	green fir	tannengrün	-	308019215
ivoire claire	light ivory	hellelfenbein	-	308019223
vert mousse	green moss	moosgrün	-	308019225
bleu foncé	dark blue	dunkelblau	-	308019226
rouge pourpre	purple red	purpurrot	-	308019207
beige foncé	dark beige	dunkelbeige	-	308019224
bleu azuré	azure blue	azurlblau	-	308019216
bronze	bronze	bronze	-	308019229
jaune	yellow	gelb	-	308019220
bleu ciel	sky blue	himmelblau	-	308019206
noir	black	schwarz	-	308019210
chêne doré	golden oak	goldene Eiche	308019119	-
chêne irlandais	irish oak	Eiche hell	308019139	-
merisier	black cherry	Kirsche	308019149	-
noyer	nut	Nussbaum	308019159	-

Plaxage par le film Renolit • Lamination by Renolit film • Kaschierung mit Renolit-Folie

Coloris	Colour	Farbe	Code • Code • Code
chêne doré Renolit	golden oak Renolit	goldene Eiche Renolit	308019419
noyer Renolit	nut Renolit	Nussbaum Renolit	308019459



ESU13x52I

Schema d'application
Application scheme
Schema der Auftragung

ESU13x52

Poids de 1 ml, kg / Weight per 1 m, kg / Gewicht je lfd.m, kg0,497

ESU13x52I

Poids de 1 ml, kg / Weight per 1 m, kg / Gewicht je lfd.m, kg0,557

Longueur standardisée, m / Standard length, m / Produktionslänge, m6,0

Commande standardisée, m / Standard pack, m / Verpackungseinheit, m 30,0

ES9×45 (I) | LAME FINALE | END SLAT | SCHLUSSLEISTE

Extrudée en aluminium, compatible avec les lames **AR/377, AR/39, AR/40, ARH/40, AR/41, AER42, AER44m/S, AER44/S, AR/45, AR/55m**. Il permet aussi d'installer le verrou manuel **SL**, la serrure à verrou **RL**.

Aluminium, extruded, for **AR/377, AR/39, AR/40, ARH/40, AR/41, AER42, AER44m/S, AER44/S, AR/45, AR/55m** profiles. Applied with hand latch lock **SL**, key lock **RL**.

Aluminium, strangepresst, für Profile **AR/377, AR/39, AR/40, ARH/40, AR/41, AER42, AER44m/S, AER44/S, AR/45, AR/55m**. Wird zusammen mit Handriegel **SL**, Stangenschloss **RL** eingesetzt.



ES9×45 — sans joint / without insert / ohne Einlage

ES9×45I — avec le joint **IS19** / with **IS19** insert / mit Einlage **IS19**

ES9×45

ES9×45I

Coloris	Colour	Farbe	Code • Code • Code	Surface structurée	Surface lisse
				Shagreen	Gloss
				Oberfläche strukturiert	Oberfläche glänzend
brut	mill-finished	blank	308033100	–	–
blanc	white	weiß	–	308043101	308043201
brun	brown	braun	–	308043102	308043202
gris	grey	grau	–	308043103	308043203
beige	beige	beige	–	308043104	308043204
bleu ciel	sky blue	himmelblau	–	–	308043206
rouge pourpre	purple red	purpurrot	–	–	308043207
alu argenté	silver	silber	–	308043108	308043208
noir	black	schwarz	–	–	308043210
anthracite	anthracite	anthrazit	–	–	308043213
vert sapin	green fir	tannengrün	–	–	308043215
bleu azuré	azure blue	azurblau	–	–	308043216
jaune	yellow	gelb	–	–	308043220
crème	cream	cremeweiss	–	–	308043221
brun foncé	dark brown	dunkelbraun	–	308043122	308043222
ivoire claire	light ivory	hell elfenbein	–	–	308043223
beige foncé	dark beige	dunkelbeige	–	–	308043224
vert mousse	green moss	moosgrün	–	–	308043225
bleu foncé	dark blue	dunkelblau	–	–	308043226
bronze	bronze	bronze	–	–	308043229
chêne doré	golden oak	goldene Eiche	–	308043119	–
chêne irlandais	irish oak	Eiche hell	–	308043139	–
merisier	black cherry	Kirsche	–	308043149	–
noyer	nut	Nussbaum	–	308043159	–

ES9×45

Poids de 1 ml, kg / Weight per 1 m, kg / Gewicht je lfd.m, kg0,334

ES9×45I

Poids de 1 ml, kg / Weight per 1 m, kg / Gewicht je lfd.m, kg0,364

Longueur standardisée, m / Standard length, m / Produktionslänge, m6,0

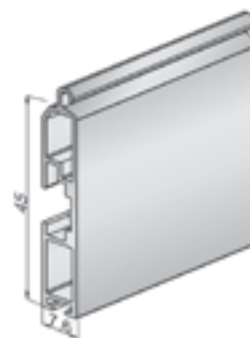
Commande standardisée, m / Standard pack, m / Verpackungseinheit, m30,0

ES9×45R (I) | LAME FINALE | END SLAT | SCHLUSSLEISTE

Extrudée en aluminium, compatible avec les lames **AR/377, AR/39, AR/40, ARH/40, AR/41, AER42, AER44m/S, AER44/S, AR/45, AR/55m**. Il permet aussi d'installer le verrou manuel **SL**, la serrure à verrou **RL**.

Aluminium, extruded, for **AR/377, AR/39, AR/40, ARH/40, AR/41, AER42, AER44m/S, AER44/S, AR/45, AR/55m** profiles. Applied with hand latch lock **SL**, key lock **RL**.

Aluminium, strangepresst, für Profile **AR/377, AR/39, AR/40, ARH/40, AR/41, AER42, AER44m/S, AER44/S, AR/45, AR/55m**. Wird zusammen mit Handriegel **SL**, Stangenschloss **RL** eingesetzt.



ES9×45R — sans joint / without insert / ohne Einlage

ES9×45RI — avec le joint **IS19** / with **IS19** insert / mit Einlage **IS19**

ES9×45R
ES9×45RI

Coloris	Colour	Farbe	Surface structurée Shagreen Oberfläche strukturiert		Surface lisse Gloss Oberfläche glänzend	
			Code • Code • Code		Code • Code • Code	
brut	mill-finished	blank	308034100	–	–	–
blanc	white	weiß	–	308044101	–	308044201
brun	brown	braun	–	308044102	–	308044202
gris	grey	grau	–	308044103	–	308044203
beige	beige	beige	–	308044104	–	308044204
bleu ciel	sky blue	himmelblau	–	–	–	308044206
rouge pourpre	purple red	purpurrot	–	–	–	308044207
alu argenté	silver	silber	–	308044108	–	308044208
noir	black	schwarz	–	–	–	308044210
anthracite	anthracite	anthrazit	–	–	–	308044213
vert sapin	green fir	tannengrün	–	–	–	308044215
bleu azuré	azure blue	azurblau	–	–	–	308044216
jaune	yellow	gelb	–	–	–	308044220
crème	cream	cremeweiss	–	–	–	308044221
brun foncé	dark brown	dunkelbraun	–	308044122	–	308044222
ivoire claire	light ivory	hellelfenbein	–	–	–	308044223
beige foncé	dark beige	dunkelbeige	–	–	–	308044224
vert mousse	green moss	moosgrün	–	–	–	308044225
bleu foncé	dark blue	dunkelblau	–	–	–	308044226
bronze	bronze	bronze	–	–	–	308044229
chêne doré	golden oak	goldene Eiche	–	308044119	–	–
chêne irlandais	irish oak	Eiche hell	–	308044139	–	–
merisier	black cherry	Kirsche	–	308044149	–	–
noyer	nut	Nussbaum	–	308044159	–	–

ES9×45R

Poids de 1 ml, kg / Weight per 1 m, kg / Gewicht je lfd.m, kg0,334

ES9×45RI

Poids de 1 ml, kg / Weight per 1 m, kg / Gewicht je lfd.m, kg0,364

Longueur standardisée, m / Standard length, m / Produktionslänge, m6,0

Commande standardisée, m / Standard pack, m / Verpackungseinheit, m30,0

ES9x45(I)/eco | LAME FINALE | END SLAT | SCHLUSSLEISTE

En aluminium, extrudée, pour les lames **AR/377, AR/39, AR/41, AR/45, AR/40, ARH/40, AER42, AER44m/S, AER44/S, AR/55m**. Peut être utilisée avec la serrure à verrou **RL** ou le verrou manuel **SL**.

Aluminium, extruded, for **AR/377, AR/39, AR/41, AR/45, AR/40, ARH/40, AER42, AER44m/S, AER44/S, AR/55m** profiles. Can be applied with **RL** key lock or **SL** hand latch lock.

Aluminium, stranggepresst, für Profile **AR/377, AR/39, AR/41, AR/45, AR/40, ARH/40, AER42, AER44m/S, AER44/S, AR/55m**. Kompatibel mit Stangenschloss **RL** oder Handriegel **SL**.



ES9x45/eco – sans joint / without insert / ohne Einlage

ES9x45I/eco – avec joint **IS19** / with **IS19** insert / mit Einlage **IS19**

Coloris	Colour	Farbe	ES9x45/eco	ES9x45I/eco
			surface structurée shagreen in structurierter Oberfläche	surface structurée shagreen in structurierter Oberfläche
			Code • Code • Code	
brut	mill-finished	blank	308069100	–
blanc	white	weiß	308069101	308070101
brun	brown	braun	308069102	308070102
gris	grey	grau	308069103	308070103
beige	beige	beige	308069104	308070104
alu argenté	silver	silber	308069108	308070108

ES9x45/eco

Poids de 1 ml, kg / Weight per 1 m, kg / Gewicht je lfd.m, kg0,29

ES9x45I/eco

Poids de 1 ml, kg / Weight per 1 m, kg / Gewicht je lfd.m, kg0,312

Longueur standardisée, m / Standard length, m / Produktionslänge, m6,0

Commande standardisée, m / Standard pack, m / Verpackungseinheit, m30,0

ES9x45R(I)/eco | LAME FINALE | END SLAT | SCHLUSSLEISTE

En aluminium, extrudée, pour les lames **AR/377, AR/39, AR/41, AR/45, AR/40, ARH/40, AER42, AER44m/S, AER44/S, AR/55m**. Peut être utilisée avec la serrure à verrou **RL** ou le verrou manuel **SL**.

Aluminium, extruded, for **AR/377, AR/39, AR/41, AR/45, AR/40, ARH/40, AER42, AER44m/S, AER44/S, AR/55m** profiles. Can be applied with **RL** key lock or **SL** hand latch lock.

Aluminium, stranggepresst, für Profile **AR/377, AR/39, AR/41, AR/45, AR/40, ARH/40, AER42, AER44m/S, AER44/S, AR/55m**. Kompatibel mit Stangenschloss **RL** oder Handriegel **SL**.



ES9x45R/eco – sans joint / without insert / ohne Einlage

ES9x45RI/eco – avec joint **IS19** / with **IS19** insert / mit Einlage **IS19**

Coloris	Colour	Farbe	ES9x45R/eco	ES9x45RI/eco
			surface structurée shagreen in strukturierter Oberfläche	surface structurée shagreen in strukturierter Oberfläche
			Code • Code • Code	
brut	mill-finished	blank	308071100	–
blanc	white	weiß	308071101	308072101
brun	brown	braun	308071102	308072102
gris	grey	grau	308071103	308072103
beige	beige	beige	308071104	308072104
alu argenté	silver	silber	308071108	308072108

ES9x45R/eco

Poids de 1 ml, kg / Weight per 1 m, kg / Gewicht je lfd.m, kg0,29

ES9x45RI/eco

Poids de 1 ml, kg / Weight per 1 m, kg / Gewicht je lfd.m, kg0,312

Longueur standardisée, m / Standard length, m / Produktionslänge, m6,0

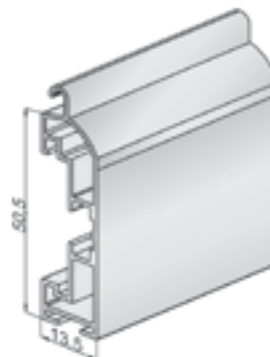
Commande standardisée, m / Standard pack, m / Verpackungseinheit, m30,0

ES14x51 (I) | LAME FINALE | END SLAT | SCHLUSSLEISTE

Extrudée en aluminium, compatible avec les lames **AR/52, AR/55, AR/555, ARH/55, AER55/S, AER55m/S**. Il permet aussi d'installer le verrou manuel **SL**, la serrure à verrou **RL**.

Aluminium, extruded, for **AR/52, AR/55, AR/555, AER55/S, ARH/55, AER55m/S** profiles. Applied with hand latch lock **SL**, key lock **RL**.

Aluminium, stranggepresst, für Profile **AR/52, AR/55, AR/555, AER55/S, ARH/55, AER55m/S**. Wird zusammen mit Handriegel **SL**, Stangenschloss **RL**.



ES14x51 — sans joint / without insert / ohne Einlage

ES14x51I — avec le joint **IS14** / with **IS14** insert / mit Einlage **IS14**

ES14x51

ES14x51I

Coloris	Colour	Farbe	Code	Surface structurée	Surface lisse
				Shagreen	Gloss
				Oberfläche strukturiert	Oberfläche glänzend
			Code • Code • Code		
brut	mill-finished	blank	308035100	-	-
blanc	white	weiß	-	308045101	308045201
brun	brown	braun	-	308045102	308045202
gris	grey	grau	-	308045103	308045203
beige	beige	beige	-	308045104	308045204
bleu ciel	sky blue	himmelblau	-	-	308045206
rouge pourpre	purple red	purpurrot	-	-	308045207
alu argenté	silver	silber	-	308045108	308045208
noir	black	schwarz	-	-	308045210
anthracite	anthracite	anthrazit	-	-	308045213
vert sapin	green fir	tannengrün	-	-	308045215
bleu azuré	azure blue	azurblau	-	-	308045216
jaune	yellow	gelb	-	-	308045220
crème	cream	cremeweiss	-	-	308045221
brun foncé	dark brown	dunkelbraun	-	308045122	308045222
ivoire claire	light ivory	hellelfenbein	-	-	308045223
beige foncé	dark beige	dunkelbeige	-	-	308045224
vert mousse	green moss	moosgrün	-	-	308045225
bleu foncé	dark blue	dunkelblau	-	-	308045226
bronze	bronze	bronze	-	-	308045229
chêne doré	golden oak	goldene Eiche	-	308045119	-
chêne irlandais	irish oak	Eiche hell	-	308045139	-
merisier	black cherry	Kirsche	-	308045149	-
noyer	nut	Nussbaum	-	308045159	-

ES14x51

Poids de 1 ml, kg / Weight per 1 m, kg / Gewicht je lfd.m, kg0,494

ES14x51I

Poids de 1 ml, kg / Weight per 1 m, kg / Gewicht je lfd.m, kg0,534

Longueur standardisée, m / Standard length, m / Produktionslänge, m6,0

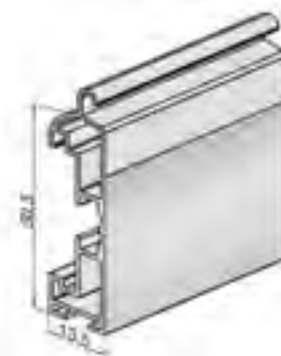
Commande standardisée, m / Standard pack, m / Verpackungseinheit, m30,0

ES14x51R (I) | LAME FINALE | END SLAT | SCHLUSSLEISTE

Extrudée en aluminium, compatible avec les lames **AR/52, AR/55, AR/555, AER55/S, AER55m/S, ARH/55**. Il permet aussi d'installer le verrou manuel **SL**, la serrure à verrou **RL**.

Aluminium, extruded, for **AR/52, AR/55, ARH/55, AR/555, AER55/S, AER55m/S** profiles. Applied with hand latch lock **SL**, key lock **RL**.

Aluminium, stranggepresst, für Profile **AR/52, AR/55, ARH/55, AR/555, AER55/S, AER55m/S**. Wird zusammen mit Handriegel **SL**, Stangenschloss **RL** eingesetzt.



ES14x51R — sans joint / without insert / ohne Einlage

ES14x51RI — avec le joint **IS14** / with **IS14** insert / mit Einlage **IS14**

ES14x51R

ES14x51RI

Coloris	Colour	Farbe		Surface structurée	Surface lisse
				Shagreen	Gloss
				Oberfläche strukturiert	Oberfläche glänzend
				Code • Code • Code	
brut	mill-finished	blank	308036100		–
blanc	white	weiß	–	308046101	308046201
brun	brown	braun	–	308046102	308046202
gris	grey	grau	–	308046103	308046203
beige	beige	beige	–	308046104	308046204
bleu ciel	sky blue	himmelblau	–	–	308046206
rouge pourpre	purple red	purpurrot	–	–	308046207
alu argenté	silver	silber	–	308046108	308046208
noir	black	schwarz	–	–	308046210
anthracite	anthracite	anthrazit	–	–	308046213
vert sapin	green fir	tannengrün	–	–	308046215
bleu azuré	azure blue	azurblau	–	–	308046216
jaune	yellow	gelb	–	–	308046220
crème	cream	cremeweiss	–	–	308046221
brun foncé	dark brown	dunkelbraun	–	308046122	308046222
ivoire claire	light ivory	hellelfenbein	–	–	308046223
beige foncé	dark beige	dunkelbeige	–	–	308046224
vert mousse	green moss	moosgrün	–	–	308046225
bleu foncé	dark blue	dunkelblau	–	–	308046226
bronze	bronze	bronze	–	–	308046229
chêne doré	golden oak	goldene Eiche	–	308046119	–
chêne irlandais	irish oak	Eiche hell	–	308046139	–
merisier	black cherry	Kirsche	–	308046149	–
noyer	nut	Nussbaum	–	308046159	–

ES14x51R

Poids de 1 ml, kg / Weight per 1 m, kg / Gewicht je lfd.m, kg0,494

ES14x51RI

Poids de 1 ml, kg / Weight per 1 m, kg / Gewicht je lfd.m, kg0,534

Longueur standardisée, m / Standard length, m / Produktionslänge, m6,0

Commande standardisée, m / Standard pack, m / Verpackungseinheit, m30,0

ESU10x45(I) | LAME FINALE UNIVERSELLE | UNIVERSAL END SLAT | UNIVERSAL-SCHLUSSLEISTE

En aluminium, extrudée, pour la lame **ARH/375(N)**
 Aluminium, extruded, for **ARH/375(N)** profile
 Aluminium, stranggepresst, für Profil **ARH/375(N)**



ESU10x45 – sans joint / without insert / ohne Einlage
 ESU10x45I – avec le joint **IS19** / with **IS19** insert / mit Einlage **IS19**

Coloris	Colour	Farbe	ESU10x45	ESU10x45I	
			brut mill-finished blank	surface structurée shagreen in strukturierter Oberfläche	surface lisse gloss in glänzender Oberfläche
			Code • Code • Code		
brut	mill-finished	blank	308065100	–	–
blanc	white	weiß	–	308066101	308066201
brun	brown	braun	–	308066102	308066202
beige	beige	beige	–	308066104	308066204
alu argenté	silver	silber	–	308066108	308066208

ESU10x45

Poids de 1 ml, kg / Weight per 1 m, kg / Gewicht je lfd.m, kg0,50

ESU10x45I

Poids de 1 ml, kg / Weight per 1 m, kg / Gewicht je lfd.m, kg0,54

Longueur standardisée, m / Standard length, m / Produktionslänge, m6,0

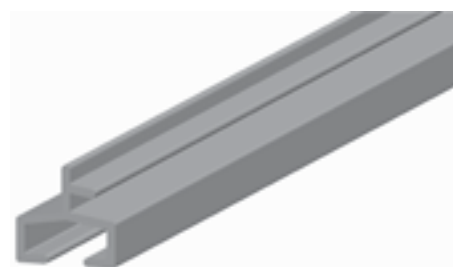
Commande standardisée, m / Standard pack, m / Verpackungseinheit, m30,0

ES555/77 | LAME FINALE | END SLAT | SCHLUSSLEISTE

En aluminium, extrudée. Pour les lames **AG/77, AR/555, AER55m/S**. Peut être utilisé avec les joints **IS9, IS14, IS1/77, IS15**.

Aluminium, extruded. For the **AG/77, AR/555, AER55m/S** profiles. Can be used with the **IS9, IS14, IS1/77, IS15** inserts.

Aluminium, stranggepresst. Für Profile **AG/77, AR/555, AER55m/S**. Sie kann mit Einlagen **IS9, IS14, IS1/77, IS15** verwendet werden.



Coloris	Colour	Farbe	Brut	Surface lisse
			Mill-finished Blank	Gloss Oberfläche glänzend
			Code • Code • Code	
brut	mill-finished	blank	308064100	–
Noir	Black	schwarz	–	308064210

Poids de 1 ml, kg / Weight per 1 m, kg / Gewicht je lfd.m, kg0,13

Longueur standardisée, m / Standard length, m / Produktionslänge, m7,0

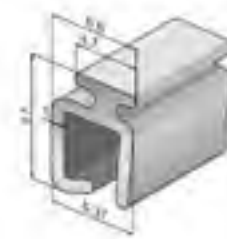
Commande standardisée, m / Standard pack, m / Verpackungseinheit, m28,0

KPU37/R | LAME D'ORIENTATION | JOINT PROFILE | SCHLOSS-PROFIL

Extrudée en aluminium, compatible avec la lame finale **ES9x45(R)** et les lames **AR/377, AR/39, AR/41**

Aluminium, extruded, for **ES9x45(R)** end slats and **AR/377, AR/39, AR/41** profiles

Aluminium, stranggepresst, für Schlussleiste **ES9x45(R)** und Profile **AR/377, AR/39, AR/41**



Référence • Article • Artikel	Code • Code • Code
KPU37/R	308039100

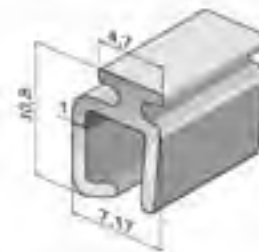
Poids de 1 ml, kg / Weight per 1 m, kg / Gewicht je lfd.m, kg0,073
 Longueur standardisée, m / Standard length, m / Produktionslänge, m6,0
 Commande standardisée, m / Standard pack, m / Verpackungseinheit, m 60,0

KPU45/R | LAME D'ORIENTATION | JOINT PROFILE | SCHLOSS-PROFIL

Extrudée en aluminium, compatible avec la lame finale **ES9x45(R)** et les lames **AR/40, ARH/40, AER44m/S, AER42, AER44/S, AR/45, AR/55m**

Aluminium, extruded, for **ES9x45(R)** end slats and **AR/40, ARH/40, AER42, AER44m/S, AER44/S, AR/45, AR/55m** profiles

Aluminium, stranggepresst, für Schlussleiste **ES9x45(R)** und Profile **AR/40, ARH/40, AER42, AER44m/S, AER44/S, AR/45, AR/55m**



Référence • Article • Artikel	Code • Code • Code
KPU45/R	308040100

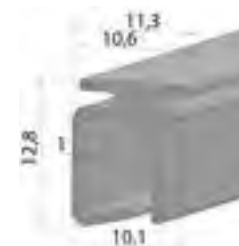
Poids de 1 ml, kg / Weight per 1 m, kg / Gewicht je lfd.m, kg0,083
 Longueur standardisée, m / Standard length, m / Produktionslänge, m6,0
 Commande standardisée, m / Standard pack, m / Verpackungseinheit, m 60,0

KPU55/R | LAME D'ORIENTATION | JOINT PROFILE | SCHLOSS-PROFIL

En aluminium, extrudée. Pour lames finales **ES14x51(R)**. Pour lames des VR **AR/52, AR/55, ARH/55, AR/555, AER55/S, AER55m/S**

Aluminium, extruded. For end slats **ES14x51(R)**. For roller shutter profiles **AR/52, AR/55, ARH/55, AR/555, AER55/S, AER55m/S**

Aluminium, stranggepresst. Für Schlussleisten **ES14x51(R)**. Für Rolladenprofile **AR/52, AR/55, ARH/55, AR/555, AER55/S, AER55m/S**



Référence • Article • Artikel	Code • Code • Code
KPU55/R	308057100

Poids de 1 ml, kg / Weight per 1 m, kg / Gewicht je lfd.m, kg0,131
 Longueur standardisée, m / Standard length, m / Produktionslänge, m6,0
 Commande standardisée, m / Standard pack, m / Verpackungseinheit, m 60,0

ESE9 | JOINT | INSERT | KEDEREINLAGE

 Pour les lames **AR377, AR/39, AR/40, ARH/40, AR/41, AER44/S, AR/45**

 For **AR/377, AR/39, AR/40, ARH/40, AR/41, AER44/S, AR/45** profiles

 Für Profile **AR/377, AR/39, AR/40, ARH/40, AR/41, AER44/S, AR/45**

Référence • Article • Artikel	Code • Code • Code
ESE9	313033000



Poids de 1 ml, kg / Weight per 1 m, kg / Gewicht je lfd.m, kg0,032

Commande standardisée, m / Standard pack, m / Verpackungseinheit, m100,0

ESE14 | JOINT | INSERT | KEDEREINLAGE

 Pour les lames **AR/52, AR/555, AR/55, ARH/55, AER55/S**

 For **AR/52, AR/555, AR/55, ARH/55, AER55/S** profiles

 Für Profile **AR/52, AR/555, AR/55, ARH/55, AER55/S**

Référence • Article • Artikel	Code • Code • Code
ESE14	313034000



Poids de 1 ml, kg / Weight per 1 m, kg / Gewicht je lfd.m, kg0,043

Commande standardisée, m / Standard pack, m / Verpackungseinheit, m100,0

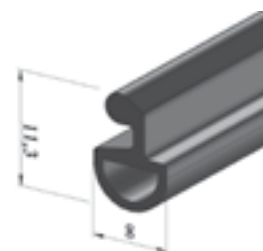
ESE14/55 | JOINT | INSERT | KEDEREINLAGE

 Pour la lame **AR/55(N)**

 For **AR/55(N)** profile

 Für Profil **AR/55(N)**

Référence • Article • Artikel	Code • Code • Code
ESE14/55	313069000



Poids de 1 ml, kg / Weight per 1 m, kg / Gewicht je lfd.m, kg0,048

Commande standardisée, m / Standard pack, m / Verpackungseinheit, m100,0

ESR/77 | LAME A VERROU | KEY LOCK PROFILE | RIEGELPROFIL

Fabriquée en aluminium, extrudée compatible avec les lames **AG/77, AG/77H, EV/77W, EA/77, ER/77**, à utiliser avec la serrure à verrou **RL/77**

Aluminium, extruded, for **AG/77, AG/77H, EV/77W, EA/77, ER/77** profiles, with groove for **RL/77** key lock

Aluminium, stranggepresst, für Profile **AG/77, AG/77H, EV/77W, EA/77, ER/77**, mit Nut für Stangenschloss **RL/77**



Coloris	Colour	Farbe	Surface structurée	Surface lisse
			Shagreen	Gloss
			Oberfläche strukturiert	Oberfläche glänzend
Code • Code • Code				
brut	mill-finished	blank	1030510	
blanc	white	weiß	1030511	303006201
brun	brown	braun	1030512	303006202
gris	grey	grau	1030513	303006203
beige	beige	beige	1030514	303006204
alu argenté	silver	silber	1030518	303006208
crème	cream	cremeweiss	-	303006221
brun foncé	dark brown	dunkelbraun	-	303006222
vert sapin	green fir	tannengrün	-	303006215
vert mousse	green moss	moosgrün	-	303006225
bleu foncé	dark blue	dunkelblau	-	303006226
rouge pourpre	purple red	purpurrot	-	303006207
noir	black	schwarz	-	303006210
chêne doré	golden oak	goldene Eiche	303006119*	-
merisier	black cherry	Kirsche	303006149*	-
noyer	nut	Nussbaum	303006159*	-

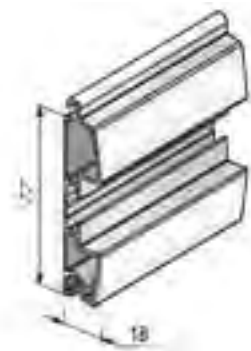
Poids de 1 ml, kg / Weight per 1 m, kg / Gewicht je lfd.m, kg0,862
 Largeur maximale du tablier, m / Max. curtain width, m / Maximalbreite, m5,0
 Longueur standardisée, m / Standard length, m / Produktionslänge, m7,0
 Commande standardisée, m / Standard pack, m / Verpackungseinheit, m21,0

ESR/77R | LAME A VERROU | KEY LOCK PROFILE | RIEGELPROFIL

Fabriquée en aluminium, extrudée compatible avec les lames **AG/77, AG/77H, EV/77W, EA/77, ER/77**, à utiliser avec la serrure à verrou **RL/77**

Aluminium, extruded, for profiles **AG/77, AG/77H, EV/77W, EA/77, ER/77**, with groove for **RL/77** key lock

Aluminium, stranggepresst, für Profile **AG/77, AG/77H, EV/77W, EA/77, ER/77**, mit Nut für Stangenschloss **RL/77**



Coloris	Colour	Farbe	Surface structurée	Surface lisse
			Shagreen	Gloss
			Oberfläche strukturiert	Oberfläche glänzend
Code • Code • Code				
brut	mill-finished	blank	1030520	
blanc	white	weiß	1030521	303008201
brun	brown	braun	1030522	303008202
gris	grey	grau	1030523	303008203
beige	beige	beige	1030524	303008204
alu argenté	silver	silber	1030528	303008208
crème	cream	cremeweiss	-	303008221
brun foncé	dark brown	dunkelbraun	-	303008222
vert sapin	green fir	tannengrün	-	303008215
vert mousse	green moss	moosgrün	-	303008225
bleu foncé	dark blue	dunkelblau	-	303008226
rouge pourpre	purple red	purpurrot	-	303008207
noir	black	schwarz	-	303008210
chêne doré	golden oak	goldene Eiche	303008119*	-
merisier	black cherry	Kirsche	303008149*	-
noyer	nut	Nussbaum	303008159*	-

Poids de 1 ml, kg / Weight per 1 m, kg / Gewicht je lfd.m, kg0,862
 Largeur maximale du tablier, m / Max. curtain width, m / Maximalbreite, m5,0
 Longueur standardisée, m / Standard length, m / Produktionslänge, m7,0
 Commande standardisée, m / Standard pack, m / Verpackungseinheit, m21,0

ESU/77 (I) | LAME FINALE UNIVERSELLE | UNIVERSAL END SLAT | UNIVERSAL-SCHLUSSLEISTE

Extrudée en aluminium, compatible avec les lames **AG/77, AG/77H, EV/77W, EA/77, ER/77**, à utiliser avec le joint **IS1/77**

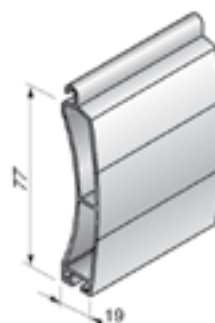
Aluminium, extruded, for **AG/77, AG/77H, EV/77W, EA/77, ER/77** profiles, with groove for **IS1/77** insert

Aluminium, strangepresst, für Profile **AG/77, AG/77H, EV/77W, EA/77, ER/77**, mit Rinne für Einlage **IS1/77**

ESU/77 — sans joint / without insert / ohne Einlage

ESU/77I — avec le joint **IS1/77** / with **IS1/77** insert / mit Einlage **IS1/77**

ESU/77



ESU/77I



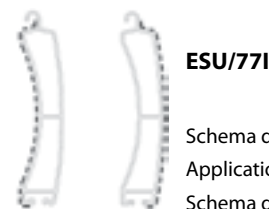
ESU/77

ESU/77I

Coloris	Colour	Farbe	Surface structurée	Surface lisse	Surface structurée	Surface lisse
			Shagreen	Gloss	Shagreen	Gloss
			Oberfläche strukturiert	Oberfläche glänzend	Oberfläche strukturiert	Oberfläche glänzend
Code • Code • Code						
brut	mill-finished	blank	1030420		-	
blanc	white	weiß	1030421	303004201	303005101	303005201
brun	brown	braun	1030422	303004202	303005102	303005202
gris	grey	grau	1030423	303004203	303005103	303005203
beige	beige	beige	1030424	303004204	303005104	303005204
alu argenté	silver	silber	1030428	303004208	303005108	303005208
crème	cream	cremeweiss	-	303004221	-	303005221
brun foncé	dark brown	dunkelbraun	-	303004222	-	303005222
vert sapin	green fir	tannengrün	-	303004215	-	303005215
vert mousse	green moss	moosgrün	-	303004225	-	303005225
bleu foncé	dark blue	dunkelblau	-	303004226	-	303005226
rouge pourpre	purple red	purpurrot	-	303004207	-	303005207
noir	black	schwarz	-	303004210	-	303005210
chêne doré	golden oak	goldene Eiche	303004119*	-	303005119*	-
merisier	black cherry	Kirsche	303004149*	-	303005149*	-
noyer	nut	Nussbaum	303004159*	-	303005159*	-

Plaxage par le film Renolit • Lamination by Renolit film • Kaschierung mit Renolit-Folie

Coloris	Colour	Farbe	Code • Code • Code
chêne doré Renolit	golden oak Renolit	goldene Eiche Renolit	303005419
noyer Renolit	nut Renolit	Nussbaum Renolit	303005459



ESU/77I

Schema d'application
Application scheme
Schema der Auftragung

ESU/77

Poids de 1 ml, kg / Weight per 1 m, kg / Gewicht je lfd.m, kg0,695

ESU/77I

Poids de 1 ml, kg / Weight per 1 m, kg / Gewicht je lfd.m, kg0,865

Longueur standardisée, m / Standard length, m / Produktionslänge, m7,0

Commande standardisée, m / Standard pack, m / Verpackungseinheit, m 21,0

ES/77 (I) | LAME FINALE | END SLAT | SCHLUSSLEISTE

Extrudée en aluminium, compatible, avec les lames **AG/77, AG/77H, EV/77W, EA/77, ER/77**, à utiliser avec le joint **IS1/77**

Aluminium, extruded, for **AG/77, AG/77H, EV/77W, EA/77, ER/77** profiles, with groove for **IS1/77** insert

Aluminium, stranggepresst, für Profile **AG/77, AG/77H, EV/77W, EA/77, ER/77**, mit Rinne für Einlage **IS1/77**

ES/77 — sans joint / without insert / ohne Einlage

ES/77I — avec le joint **IS1/77** / with **IS1/77** insert / mit Einlage **IS1/77**

ES/77



ES/77I



ES/77

ES/77I

Coloris	Colour	Farbe	Surface structurée	Surface lisse	Surface structurée	Surface lisse
			Shagreen	Gloss	Shagreen	Gloss
			Oberfläche strukturiert	Oberfläche glänzend	Oberfläche strukturiert	Oberfläche glänzend
Code • Code • Code						
brut	mill-finished	blank	1030410		-	
blanc	white	weiß	1030411	303002201	303003101	303003201
brun	brown	braun	1030412	303002202	303003102	303003202
gris	grey	grau	1030413	303002203	303003103	303003203
beige	beige	beige	1030414	303002204	303003104	303003204
alu argenté	silver	silber	1030418	303002208	303003108	303003208
crème	cream	cremeweiss	-	303002221	-	303003221
brun foncé	dark brown	dunkelbraun	-	303002222	-	303003222
vert sapin	green fir	tannengrün	-	303002215	-	303003215
vert mousse	green moss	moosgrün	-	303002225	-	303003225
bleu foncé	dark blue	dunkelblau	-	303002226	-	303003226
rouge pourpre	purple red	purpurrot	-	303002207	-	303003207
noir	black	schwarz	-	303002210	-	303003210

ES/77

Poids de 1 ml, kg / Weight per 1 m, kg / Gewicht je lfd.m, kg0,162

ES/77I

Poids de 1 ml, kg / Weight per 1 m, kg / Gewicht je lfd.m, kg0,332

Longueur standardisée, m / Standard length, m / Produktionslänge, m7,0

Commande standardisée, m / Standard pack, m / Verpackungseinheit, m21,0

SH/77 | RENFORT DE LA LAME FINALE | WINDLOCK | SCHLUSSHALTERUNG

À utiliser avec es coulisse **GR90x33(I)** et les lames finales pour verrou **ESR/77** et **ESR/77R** afin d'augmenter la résistance au vent des PG à la base des lames **AG/77, AG/77H**

Is used together with guide rail **GR90x33(I)** and key lock end profiles **ESR/77** and **ESR/77R** for wind stability improvement of the profiles rolling curtain **AG/77, AG/77H**

Wird zusammen mit Führungsschiene **GR90x33(I)** und Schlussleiste **ESR/77** und **ESR/77R** für erhöhte Windstabilität des Rollladenpanzers (Profile **AG/77, AG/77H**) verwendet



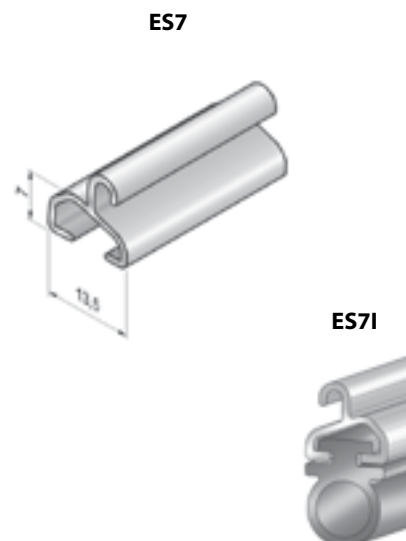
Référence • Article • Artikel	Code • Code • Code
SH/77	1030802

Commande standardisée, pièces / Standard pack, set / Verpackungseinheit, Set10

ES7 (I) | LAME FINALE | END SLAT | SCHLUSSLEISTE

Extrudée en aluminium, compatible avec les lames **AEG56, AEG56/P, AER56, AEG30/S**, à utiliser avec le joint **IS9**
 Aluminium, extruded, for **AEG56, AEG56/P, AER56, AEG30/S** profiles, with groove for **IS9** insert
 Aluminium, strangepresst, für Profile **AEG56, AEG56/P, AER56, AEG30/S**, mit Rinne für Einlage **IS9**

ES7 — sans joint / without insert / ohne Einlage
ES7I — avec le joint **IS9** / with **IS9** insert / mit Einlage **IS9**



Coloris	Colour	Farbe	ES7		ES7I	
			Surface structurée Shagreen	Surface lisse Gloss	Surface structurée Shagreen	Surface lisse Gloss
			Oberfläche strukturiert	Oberfläche glänzend	Oberfläche strukturiert	Oberfläche glänzend
Code • Code • Code						
brut	mill-finished	blank	1033600		-	
blanc	white	weiß	1033601	304001201	304002101	304002201
brun	brown	braun	1033602	304001202	304002102	304002202
gris	grey	grau	1033603	304001203	304002103	304002203
beige	beige	beige	1033604	304001204	304002104	304002204
alu argenté	silver	silber	1033608	304001208	304002108	304002208
crème	cream	cremeweiss	-	304001221	-	304002221
brun foncé	dark brown	dunkelbraun	304001122	304001222	304002122	304002222
anthracite	anthracite	anthrazit	-	304001213	-	304002213
vert sapin	green fir	tannengrün	-	304001215	-	304002215
ivoire claire	light ivory	hell elfenbein	-	304001223	-	304002223
vert mousse	green moss	moosgrün	-	304001225	-	304002225
bleu foncé	dark blue	dunkelblau	-	304001226	-	304002226
rouge pourpre	purple red	purpurrot	-	304001207	-	304002207
beige foncé	dark beige	dunkelbeige	-	304001224	-	304002224
bleu azuré	azure blue	azurblau	-	304001216	-	304002216
bronze	bronze	bronze	-	304001229	-	304002229
jaune	yellow	gelb	-	304001220	-	304002220
bleu ciel	sky blue	himmelblau	-	304001206	-	304002206
noir	black	schwarz	-	304001210	-	304002210

ES7
 Poids de 1 ml, kg / Weight per 1 m, kg / Gewicht je lfd.m, kg0,136

ES7I
 Poids de 1 ml, kg / Weight per 1 m, kg / Gewicht je lfd.m, kg0,258

Longueur standardisée, m / Standard length, m / Produktionslänge, m7,0
 Commande standardisée, m / Standard pack, m / Verpackungseinheit, m 21,0

ESR60 (I) | LAME POUR VERROU | KEY LOCK PROFILE | RIEGELPROFIL

Extrudée en aluminium, compatible avec les lames **AEG56, AEG56/P, AER56** et **AEG30/S** à utiliser avec le joint **IS9** et la serrure à verrous **RL**

Aluminium, extruded, for **AEG56, AEG56/P, AER56, AEG30/S** profiles, with grooves for **IS9** insert and **RL** key lock

Aluminium, strangepresst, für Profile **AEG56, AEG56/P, AER56, AEG30/S**, mit Rinnen für Einlage **IS9**, für Stangenschloss **RL**

ESR60 — sans joint / without insert / ohne Einlage

ESR60I — avec le joint **IS9** / with **IS9** insert / mit Einlage **IS9**

ESR60



ESR60I



ESR60

ESR60I

Coloris	Colour	Farbe	Surface structurée	Surface lisse	Surface structurée	Surface lisse
			Shagreen	Gloss	Shagreen	Gloss
			Oberfläche strukturiert	Oberfläche glänzend	Oberfläche strukturiert	Oberfläche glänzend
Code • Code • Code						
brut	mill-finished	blank	1033500		-	
blanc	white	weiß	1033501	304003201	304004101	304004201
brun	brown	braun	1033502	304003202	304004102	304004202
gris	grey	grau	1033503	304003203	304004103	304004203
beige	beige	beige	1033504	304003204	304004104	304004204
alu argenté	silver	silber	1033508	304003208	304004108	304004208
crème	cream	cremeweiss	-	304003221	-	304004221
brun foncé	dark brown	dunkelbraun	304003122	304003222	304004122	304004222
anthracite	anthracite	anthrazit	-	304003213	-	304004213
vert sapin	green fir	tannengrün	-	304003215	-	304004215
ivoire claire	light ivory	hellelfenbein	-	304003223	-	304004223
vert mousse	green moss	moosgrün	-	304003225	-	304004225
bleu foncé	dark blue	dunkelblau	-	304003226	-	304004226
rouge pourpre	purple red	purpurrot	-	304003207	-	304004207
beige foncé	dark beige	dunkelbeige	-	304003224	-	304004224
bleu azuré	azure blue	azurblau	-	304003216	-	304004216
bronze	bronze	bronze	-	304003229	-	304004229
jaune	yellow	gelb	-	304003220	-	304004220
bleu ciel	sky blue	himmelblau	-	304003206	-	304004206
noir	black	schwarz	-	304003210	-	304004210

Anodisation • Anodized coating • Eloxalbeschichtung

Coloris	Colour	Farbe	Code • Code • Code
alu argenté	silver	silber	1033530
bronze	bronze	bronze	1033533
champagne	champagne	champagner	1033537

ESR60

Poids de 1 ml, kg / Weight per 1 m, kg / Gewicht je lfd.m, kg0,652

ESR60I

Poids de 1 ml, kg / Weight per 1 m, kg / Gewicht je lfd.m, kg0,774

Longueur standardisée, m / Standard length, m / Produktionslänge, m7,0

Commande standardisée, m / Standard pack, m / Verpackungseinheit, m21,0

ESR60R (RI) | LAME POUR VERROU | KEY LOCK PROFILE | RIEGELPROFIL

Extrudée en aluminium, compatible avec les lames **AEG56, AEG56/P, AER56** et **AEG30/S** à utiliser avec le joint **IS9** et la serrure à verrou **RL**

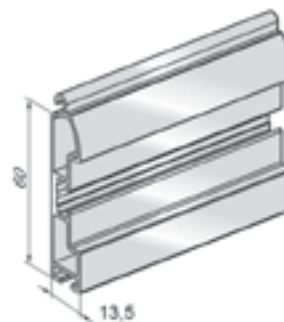
Aluminium, extruded, for **AEG56, AEG56/P, AER56, AEG30/S** profiles, with grooves for **IS9** insert and **RL** key lock

Aluminium, strangepresst, für Profile **AEG56, AEG56/P, AER56, AEG30/S**, mit Rinnen für Einlage **IS9**, für Stangenschloss **RL**

ESR60R — sans joint / without insert / ohne Einlage

ESR60RI — avec le joint **IS9** / with **IS9** insert / mit Einlage **IS9**

ESR60R



ESR60RI



ESR60R

ESR60RI

Coloris	Colour	Farbe	Surface structurée	Surface lisse	Surface structurée	Surface lisse
			Shagreen	Gloss	Shagreen	Gloss
			Oberfläche strukturiert	Oberfläche glänzend	Oberfläche strukturiert	Oberfläche glänzend
			Code • Code • Code			
brut	mill-finished	blank	1033540			-
blanc	white	weiß	1033541	304005201	304006101	304006201
brun	brown	braun	1033542	304005202	304006102	304006202
gris	grey	grau	1033543	304005203	304006103	304006203
beige	beige	beige	1033544	304005204	304006104	304006204
alu argenté	silver	silber	1033548	304005208	304006108	304006208
crème	cream	cremeweiss	-	304005221	-	304006221
brun foncé	dark brown	dunkelbraun	304005122	304005222	304006122	304006222
anthracite	anthracite	anthrazit	-	304005213	-	304006213
vert sapin	green fir	tannengrün	-	304005215	-	304006215
ivoire claire	light ivory	hellelfenbein	-	304005223	-	304006223
vert mousse	green moss	moosgrün	-	304005225	-	304006225
bleu foncé	dark blue	dunkelblau	-	304005226	-	304006226
rouge pourpre	purple red	purpurrot	-	304005207	-	304006207
beige foncé	dark beige	dunkelbeige	-	304005224	-	304006224
bleu azuré	azure blue	azurblau	-	304005216	-	304006216
bronze	bronze	bronze	-	304005229	-	304006229
jaune	yellow	gelb	-	304005220	-	304006220
bleu ciel	sky blue	himmelblau	-	304005206	-	304006206
noir	black	schwarz	-	304005210	-	304006210

Anodisation • Anodized coating • Eloxalbeschichtung

Coloris	Colour	Farbe	Code • Code • Code
alu argenté	silver	silber	1033580
bronze	bronze	bronze	1033583
champagne	champagne	champagner	1033587

ESR60R

Poids de 1 ml, kg / Weight per 1 m, kg / Gewicht je lfd.m, kg0,655

ESR60RI

Poids de 1 ml, kg / Weight per 1 m, kg / Gewicht je lfd.m, kg0,777

Longueur standardisée, m / Standard length, m / Produktionslänge, m7,0

Commande standardisée, m / Standard pack, m / Verpackungseinheit, m21,0

ESU88 (I) | LAME FINALE | END SLAT | SCHLUSSLEISTE

Extrudée en aluminium, compatible avec les lames **AEG84, AER/84** et **AEG45/S** à utiliser avec le joint **IS9**

Aluminium, extruded, for **AEG84, AER/84, AEG45/S** profiles, with groove for **IS9** insert

Aluminium, strangepresst, für Profile **AEG84, AER/84, AEG45/S**, mit Rinne für Einlage **IS9**

ESU88 — sans joint / without insert / ohne Einlage

ESU88I — avec le joint IS9 / with IS9 insert / mit Einlage IS9

ESU88



ESU88I



ESU88

ESU88I

Coloris	Colour	Farbe	Surface structurée	Surface lisse	Surface structurée	Surface lisse
			Shagreen	Gloss	Shagreen	Gloss
			Oberfläche strukturiert	Oberfläche glänzend	Oberfläche strukturiert	Oberfläche glänzend
Code • Code • Code						
brut	mill-finished	blank	1034140		-	
blanc	white	weiß	1034141	304007201	304008101	304008201
brun	brown	braun	1034142	304007202	304008102	304008202
gris	grey	grau	1034143	304007203	304008103	304008203
beige	beige	beige	1034144	304007204	304008104	304008204
alu argenté	silver	silber	1034148	304007208	304008108	304008208
crème	cream	cremeweiss	-	304007221	-	304008221
brun foncé	dark brown	dunkelbraun	304007122	304007222	304008122	304008222
vert sapin	green fir	tannengrün	-	304007215	-	304008215
vert mousse	green moss	moosgrün	-	304007225	-	304008225
bleu foncé	dark blue	dunkelblau	-	304007226	-	304008226
rouge pourpre	purple red	purpurrot	-	304007207	-	304008207
noir	black	schwarz	-	304007210	-	304008210
bleu ciel	sky blue	himmelblau	-	304007206	-	304008206
anthracite	anthracite	anthrazit	-	304007213	-	304008213
bleu azuré	azure blue	azurblau	-	304007216	-	304008216
jaune	yellow	gelb	-	304007220	-	304008220
ivoire clair	light ivory	hellelfenbein	-	304007223	-	304008223
beige foncé	dark beige	dunkelbeige	-	304007224	-	304008224
bronze	bronze	bronze	-	304007229	-	304008229

Anodisation • Anodized coating • Eloxalbeschichtung

Coloris	Colour	Farbe	Code • Code • Code
alu argenté	silver	silber	1034190
bronze	bronze	bronze	1034193
champagne	champagne	champagner	1034197

ESU88

Poids de 1 ml, kg / Weight per 1 m, kg / Gewicht je lfd.m, kg1,338

ESU88I

Poids de 1 ml, kg / Weight per 1 m, kg / Gewicht je lfd.m, kg1,460

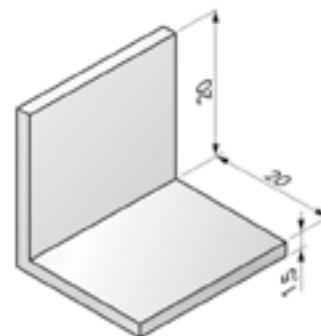
Longueur standardisée, m / Standard length, m / Produktionslänge, m7,0

Commande standardisée, m / Standard pack, m / Verpackungseinheit, m21,0

AES20 | CORNIÈRE | END ANGLE | WINKEL-PROFIL

Fabriquée en aluminium, extrudée
 Aluminium, extruded
 Aluminium, stranggepresst

Coloris	Colour	Farbe	Code • Code • Code
brut	mill-finished	blank	1040600
blanc	white	weiß	1040601
brun	brown	braun	1040602
gris	grey	grau	1040603
beige	beige	beige	1040604

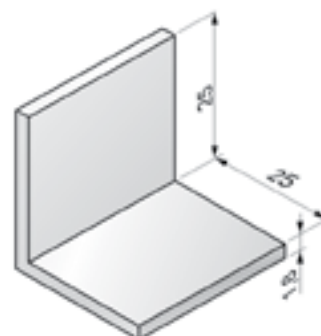


Poids de 1 ml, kg / Weight per 1 m, kg / Gewicht je lfd.m, kg0,168
 Longueur standardisée, m / Standard length, m / Produktionslänge, m6,0
 Commande standardisée, m / Standard pack, m / Verpackungseinheit, m 30,0

AES25 | CORNIÈRE | END ANGLE | WINKEL-PROFIL

Extrudée en aluminium
 Aluminium, extruded
 Aluminium, stranggepresst

Coloris	Colour	Farbe	Code • Code • Code
brut	mill-finished	blank	1040700
blanc	white	weiß	1040701
brun	brown	braun	1040702
gris	grey	grau	1040703
beige	beige	beige	1040704

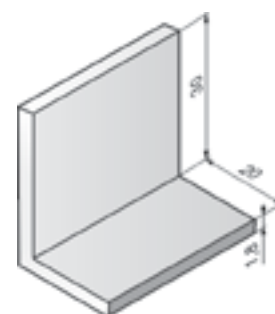


Poids de 1 ml, kg / Weight per 1 m, kg / Gewicht je lfd.m, kg0,276
 Longueur standardisée, m / Standard length, m / Produktionslänge, m6,0
 Commande standardisée, m / Standard pack, m / Verpackungseinheit, m 30,0

AES30x20 | CORNIÈRE | END ANGLE | WINKEL-PROFIL

Extrudée en aluminium
 Aluminium, extruded
 Aluminium, stranggepresst

Coloris	Colour	Farbe	Code • Code • Code
brut	mill-finished	blank	1040810
blanc	white	weiß	1040811
brun	brown	braun	1040812
gris	grey	grau	1040813
beige	beige	beige	1040814



Poids de 1 ml, kg / Weight per 1 m, kg / Gewicht je lfd.m, kg0,274
 Longueur standardisée, m / Standard length, m / Produktionslänge, m6,0
 Commande standardisée, m / Standard pack, m / Verpackungseinheit, m 30,0

IS9 | JOINT | INSERT | EINLAGE

Joint caoutchouc pour la lame finale **ES7** et les lames à verrou **ESR60, ESR60R, ESU88**
 Rubber, for **ES7** end slat and **ESR60, ESR60R, ESU88** key lock profiles
 Gummi, für Schlussleiste **ES7** und Riegelprofil **ESR60, ESR60R, ESU88**



Référence • Article • Artikel	Code • Code • Code
IS9	1033520

Commande standardisée, m / Standard pack, m / Verpackungseinheit, m 100,0

IS10 | BROSSE | BRUSH INSERT | BÜRSTENEINLAGE

Pour lames finales **ESU8x60E**
 For end slat **ESU8x60E**
 Für Schlussleiste **ESU8x60E**



Référence • Article • Artikel	Code • Code • Code
IS10	1112505

Commande standardisée, m / Standard pack, m / Verpackungseinheit, m 360

IS14 | JOINT | INSERT | EINLAGE

Pour les coulisses et lames finales **ES14x51, ES14x51R, ESU13x52**
 For guide rails and end slats **ES14x51, ES14x51R, ESU13x52**
 Für Führungsschienen und Schlussleisten **ES14x51, ES14x51R, ESU13x52**



Référence • Article • Artikel	Code • Code • Code
IS 14	313015000

Commande standardisée, m / Standard pack, m / Verpackungseinheit, m 150

IS19 | JOINT | INSERT | EINLAGE

Pour les coulisses et lames finales **ESU9×35, ESL9×50, ES9×45, ES9×45R, ESU8×60, ESU10×45**

For guide rails and end slats **ESU9×35, ESL9×50, ES9×45, ES9×45R, ESU8×60, ESU10×45**

Für Führungsschienen und Schlussleisten **ESU9×35, ESL9×50, ES9×45, ES9×45R, ESU8×60, ESU10×45**



Référence • Article • Artikel	Code • Code • Code
IS 19	313018000

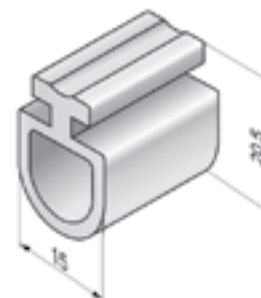
Commande standardisée, m / Standard pack, m / Verpackungseinheit, m..... 150

IS1/77 | JOINT | INSERT | KEDEREINLAGE

Joint caoutchouc pour la lame finale **ES/77** et la lame finale universelle **ESU/77**

Rubber, for **ES/77** and **ESU/77** end slats

Gummi, für Schlussleiste **ES/77** und Universal-Schlussleiste **ESU/77**



Référence • Article • Artikel	Code • Code • Code
IS1/77	1030701

Commande standardisée, m / Standard pack, m / Verpackungseinheit, m..... 100,0

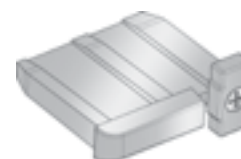
SPT8E | EMBOUT POUR LAME FINALE | STOPPER | ANSCHLAGSTOPFEN

Pour les lames finales **ESU9×35**

For **ESU9×35** end slats

Für Schlussleisten **ESU9×35**

Référence • Article • Artikel	Code • Code • Code
SPT8E	313022100



Commande standardisée, pièces / Standard pack, pcs / Verpackungseinheit, Stk..... 100

SPT9E | EMBOUT POUR LAME FINALE | STOPPER | ANSCHLAGSTOPFEN

Pour les lames finales **ESU8x60E, ESL9x50, ESL9x50/eco**

For **ESU8x60E, ESL9x50, ESL9x50/eco** end slats

Für Schlussleisten **ESU8x60E, ESL9x50, ESL9x50/eco**

Référence • Article • Artikel	Code • Code • Code
SPT9E	313008100

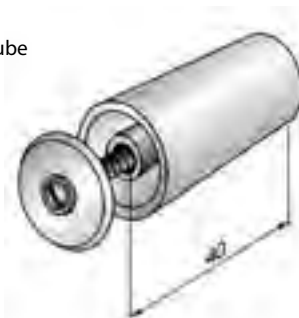


Commande standardisée, pièces / Standard pack, pcs / Verpackungseinheit, Stk 100

ST40 | BUTÉE | STOPPER | ANSCHLAGSTOPFEN

Coloris	Colour	Farbe	Code • Code • Code
blanc	white	weiß	1112701
brun	brown	braun	1112702
gris	grey	grau	1112703
beige	beige	beige	1112704
bleu ciel	sky blue	himmelblau	313010106
rouge pourpre	purple red	purpurrot	313010107
alu argenté	silver	silber	313010108
noir	black	schwarz	313010110
anthracite	anthracite	anthrazit	313010113
vert sapin	fir green	tannengrün	313010115
bleu azuré	azure blue	azurblau	313010116
jaune	yellow	gelb	313010120
crème	cream	cremeweiss	313010121
brun foncé	dark brown	dunkelbraun	313010122
ivoire claire	light ivory	hellelfenbein	313010123
beige foncé	dark beige	dunkelbeige	313010124
vert mousse	moss green	moosgrün	313010125
bleu foncé	dark blue	dunkelblau	313010126
bronze	bronze	bronze	313010129

Fabriqué en polyéthylène, fourni avec le vis
Polyethylene, with a screw
Polyäthylen, Set mit Schraube



Commande standardisée, pièces
Standard pack, pcs
Verpackungseinheit, Stk 100

ST25 | BUTÉE | STOPPER | ANSCHLAGSTOPFEN

Coloris	Colour	Farbe	Code • Code • Code
blanc	white	weiß	313031101
brun	brown	braun	313031102
gris	grey	grau	313031103
beige	beige	beige	313031104
bleu ciel	sky blue	himmelblau	313031106
rouge pourpre	purple red	purpurrot	313031107
alu argenté	silver	silber	313031108
noir	black	schwarz	313031110
anthracite	anthracite	anthrazit	313031113
vert sapin	fir green	tannengrün	313031115
bleu azuré	azure blue	azurblau	313031116
jaune	yellow	gelb	313031120
crème	cream	cremeweiss	313031121
brun foncé	dark brown	dunkelbraun	313031122
ivoire claire	light ivory	hellelfenbein	313031123
beige foncé	dark beige	dunkelbeige	313031124
vert mousse	moss green	moosgrün	313031125
bleu foncé	dark blue	dunkelblau	313031126
bronze	bronze	bronze	313031129

Fabriquée en polyéthylène, fournie avec le vis **M6x60**
Polyethylene, with **M6x60**
Polyäthylen, Set mit **M6x60**



Poids, kg / Weight, kg / Gewicht, kg0,01
Commande standardisée, pièces
Standard pack, pcs
Verpackungseinheit, Stk 100

JOINTS POUR LES LAMES FINALES | INSERTS FOR END SLATS | EINLAGEN FÜR SCHLUSSLEISTEN

ESU9×35
ESL9×50
ESL9×50/eco
ES9×45
ES9×45R
ESU8×60



IS19



IS10

ES14×51
ES14×51R
ESU13×52



IS14

ESU/77
ES/77



IS1/77



IS15

ES7
ESR60
ESR60R
ESU88



IS9



IS15



ALUTECH
ROLLER SHUTTER SYSTEMS

06

[Fr] COULISSES

[En] GUIDE RAILS

[De] FÜHRUNGSSCHIENEN

GR45x22E | COULISSES | GUIDE RAILS | FÜHRUNGSSCHIENEN

Extrudée en aluminium, compatible avec les lames **AR/377, AR/39, AR/40, ARH/40, AR/45, AR/41, AER42, AER44m/S, AER44/S** et les joues latérales **SF45/137...205u, SF45/137...205u-B, SF45/137...205u-M, SF45/137...205u-BM, SF230/S-M, SF250/Sa-M, SF125...205a, SF230/S, SF250/Sa, SF20/137...205, SF-R/137...205, SF-QR/137...205**

Aluminium, extruded, for **AR/377, AR/39, AR/40, ARH/40, AR/45, AR/41, AER42, AER44m/S, AER44/S** profiles and **SF45/137...205u, SF45/137...205u-B, SF45/137...205u-M, SF45/137...205u-BM, SF230/S-M, SF250/Sa-M, SF125...205a, SF230/S, SF250/Sa, SF20/137...205, SF-R/137...205, SF-QR/137...205** end caps

Aluminium, stranggepresst, für Profile **AR/377, AR/39, AR/40, ARH/40, AR/45, AR/41, AER42, AER44m/S, AER44/S** und Blendenkapfen **SF45/137...205u, SF45/137...205u-B, SF45/137...205u-M, SF45/137...205u-BM, SF230/S-M, SF250/Sa-M, SF125...205a, SF230/S, SF250/Sa, SF20/137...205, SF-R/137...205, SF-QR/137...205**

GR45x22E



GR45x22E — sans joint / without insert / ohne Einlage

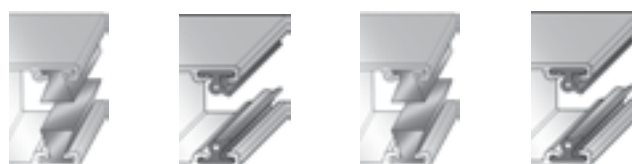
GR45x22BE — joint-brosse **ISE01** serti / with **ISE01** brush insert / mit Bürsteneinlage **ISE01**

GR45x22IE — joint **IS11** serti / with **IS11** insert / mit Einlage **IS11**

GR45x22B17 — joint-brosse **ISE17** serti / with **ISE17** brush insert / mit Bürsteneinlage **ISE17**

GR45x22I24 — joint-brosse **IS24** serti / with **IS24** brush insert / mit Bürsteneinlage **IS24**

GR45x22BE GR45x22IE GR45x22B17 GR45x22I24



GR45x22E			GR45x22BE		GR45x22IE		GR45x22B17		GR45x22I24		
Coloris	Colour	Farbe	Surface structurée	Surface lisse	Surface structurée	Surface lisse	Surface structurée	Surface lisse	Surface structurée	Surface lisse	
			Shagreen	Gloss	Shagreen	Gloss	Shagreen	Gloss	Shagreen	Gloss	
			Oberfläche strukturiert	Oberfläche glänzend	Oberfläche strukturiert	Oberfläche glänzend	Oberfläche strukturiert	Oberfläche glänzend	Oberfläche strukturiert	Oberfläche glänzend	
Code • Code • Code											
brut	mill-finished	blank	307001100	-	-	-	-	-	-	-	
blanc	white	weiß	-	307002101	307063201	307003101	307003201	307090101	307090201	307098101	307098201
brun	brown	braun	-	307002102	307063202	307003102	307003202	307090102	307090202	307098102	307098202
gris	grey	grau	-	307002103	307063203	307003103	307003203	307090103	307090203	307098103	307098203
beige	beige	beige	-	307002104	307063204	307003104	307003204	307090104	307090204	307098104	307098204
bleu ciel	sky blue	himmelblau	-	-	307063206	-	307003206	-	307090206	-	307098206
rouge pourpre	purple red	purpurrot	-	-	307063207	-	307003207	-	307090207	-	307098207
alu argenté	silver	silber	-	307002108	307063208	307003108	307003208	307090108	307090208	307098108	307098208
noir	black	schwarz	-	-	307063210	-	307003210	-	307090210	-	307098210
anthracite	anthracite	anthrazit	-	-	307063213	-	307003213	-	307090213	-	307098213
vert sapin	green fir	tannengrün	-	-	307063215	-	307003215	-	307090215	-	307098215
bleu azuré	azure blue	azurblau	-	-	307063216	-	307003216	-	307090216	-	307098216
jaune	yellow	gelb	-	-	307063220	-	307003220	-	307090220	-	307098220
crème	cream	cremeweiss	-	-	307063221	-	307003221	-	307090221	-	307098221
brun foncé	dark brown	dunkelbraun	-	307002122	307063222	307003122	307003222	307090122	307090222	307098122	307098222
ivoire claire	light ivory	hellelfenbein	-	-	307063223	-	307003223	-	307090223	-	307098223
beige foncé	dark beige	dunkelbeige	-	-	307063224	-	307003224	-	307090224	-	307098224
vert mousse	green moss	moosgrün	-	-	307063225	-	307003225	-	307090225	-	307098225
bleu foncé	dark blue	dunkelblau	-	-	307063226	-	307003226	-	307090226	-	307098226
bronze	bronze	bronze	-	-	307063229	-	307003229	-	307090229	-	307098229
chêne doré	golden oak	goldene Eiche	-	307002119	-	307003119	-	307090119	-	307098119	-
merisier	black cherry	Kirsche	-	307002149	-	307003149	-	307090149	-	307098149	-
noyer	nut	Nussbaum	-	307002159	-	307003159	-	307090159	-	307098159	-
Poids de 1 ml, kg			0,488	0,505	0,548	0,508	0,595				
• Weight per 1 m, kg • Gewicht je lfd.m, kg											
Longueur standardisée, m			6	6	6	6	6				
• Standard length, m • Produktionslänge, m											
Commande standardisée, m			36	36	36	36	36				
• Standard pack, m • Verpackungseinheit, m											

GR45x34E | COULISSES | GUIDE RAILS | FÜHRUNGSSCHIENEN

En aluminium, extrudée, pour les lames **AR/377, AR/39, AR/41, AR/45, AR/40, ARH/40, AER42, AER44m/S, AER44/S** et les joues latérales **SF45/137...205u-M, SF45/137...205u-BM, SF230/S-M, SF250/Sa-M, SF125...205a, SF230/S, SF250/Sa, SF45/137...205u, SF45/137...205u-B, SF-R/137...205, SF-QR/137...205, SF20/137...205**

Aluminium, extruded, for **AR/377, AR/39, AR/41, AR/45, AR/40, ARH/40, AER42, AER44m/S, AER44/S** profiles and **SF45/137...205u-M, SF45/137...205u-BM, SF230/S-M, SF250/Sa-M, SF125...205a, SF230/S, SF250/Sa, SF45/137...205u, SF45/137...205u-B, SF-R/137...205, SF-QR/137...205, SF20/137...205** end caps

Aluminium, stranggepresst, für Profile **AR/377, AR/39, AR/41, AR/45, AR/40, ARH/40, AER42, AER44m/S, AER44/S** und Blendenkappen **SF45/137...205u-M, SF45/137...205u-BM, SF230/S-M, SF250/Sa-M, SF125...205a, SF230/S, SF250/Sa, SF45/137...205u, SF45/137...205u-B, SF-R/137...205, SF-QR/137...205, SF20/137...205**

GR45x34E



GR45x34IE

GR45x34BE

GR45x34B17



GR45x34E – sans joint / without insert / ohne Einlage

GR45x34IE – avec joint **IS11** / with **IS11** insert / mit Einlage **IS11**

GR45x34BE – avec brosse **ISE01** / with **ISE01** brush insert / mit Bürsteneinlage **ISE01**

GR45x34B17 – avec brosse **ISE17** / with **ISE17** brush insert / mit Bürsteneinlage **ISE17**

GR45x34E GR45x34IE GR45x34BE GR45x34B17

Coloris	Colour	Farbe	GR45x34E		GR45x34IE		GR45x34BE		GR45x34B17	
			Surface structurée Shagreen Oberfläche strukturiert	Surface lisse Gloss Oberfläche glänzend	Surface structurée Shagreen Oberfläche strukturiert	Surface lisse Gloss Oberfläche glänzend	Surface structurée Shagreen Oberfläche strukturiert	Surface lisse Gloss Oberfläche glänzend		
Code • Code • Code										
brut	mill-finished	blank	307139100							
blanc	white	weiß	-	307140101	307140201	307141101	307141201	307142101	307142201	
brun	brown	braun	-	307140102	307140202	307141102	307141202	307142102	307142202	
gris	grey	grau	-	307140103	307140203	307141103	307141203	307142103	307142203	
beige	beige	beige	-	307140104	307140204	307141104	307141204	307142104	307142204	
bleu ciel	sky blue	himmelblau	-	-	307140206	-	307141206	-	307142206	
rouge pourpre	purple red	purpurrot	-	-	307140207	-	307141207	-	307142207	
alu argenté	silver	silber	-	307140108	307140208	307141108	307141208	307142108	307142208	
noir	black	schwarz	-	-	307140210	-	307141210	-	307142210	
anthracite	anthracite	anthrazit	-	-	307140213	-	307141213	-	307142213	
vert sapin	green fir	tannengrün	-	-	307140215	-	307141215	-	307142215	
bleu azuré	azure blue	azurblau	-	-	307140216	-	307141216	-	307142216	
chêne doré	golden oak	goldene Eiche	-	307140119	-	307141119	-	307142119	-	
jaune	yellow	gelb	-	-	307140220	-	307141220	-	307142220	
crème	cream	cremeweiss	-	-	307140221	-	307141221	-	307142221	
brun foncé	dark brown	dunkelbraun	-	307140122	307140222	307141122	307141222	307142122	307142222	
ivoire claire	light ivory	hellelfenbein	-	-	307140223	-	307141223	-	307142223	
beige foncé	dark beige	dunkelbeige	-	-	307140224	-	307141224	-	307142224	
vert mousse	green moss	moosgrün	-	-	307140225	-	307141225	-	307142225	
bleu foncé	dark blue	dunkelblau	-	-	307140226	-	307141226	-	307142226	
bronze	bronze	bronze	-	-	307140229	-	307141229	-	307142229	
chêne irlandais	Irish oak	Eiche hell	-	307140139	-	307141139	-	307142139	-	
merisier	black cherry	Kirsche	-	307140149	-	307141149	-	307142149	-	
noyer	nut	Nussbaum	-	307140159	-	307141159	-	307142159	-	
Poids de 1 m, kg • Weight per 1 m, kg • Gewicht je lfd.m, kg			0,575	0,629	0,605	0,604				
Longueur standardisée, m • Standard length, m • Produktionslänge, m			6	6	6	6				
Commande standardisée, m • Standard pack, m • Verpackungseinheit, m			36	36	36	36				

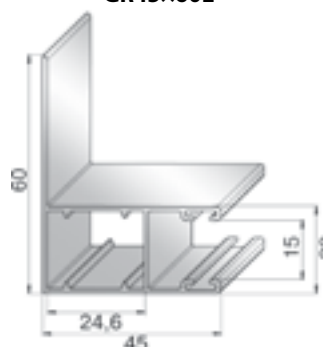
GR45×60E | COULISSES | GUIDE RAILS | FÜHRUNGSSCHIENEN

Extrudée en aluminium, compatible avec les lames **AR/377, AR/39, AR/40, ARH/40, AR/45, AR/41, AER42, AER44m/S, AER44/S** et les joues latérales **SF45/137...205u, SF45/137...205u-B, SF45/137...205u-M, SF45/137...205u-BM, SF230/S-M, SF250/Sa-M, SF125...205a, SF230/S, SF250/Sa, SF20/137...205, SF-R/137...205, SF-QR/137...205**

Aluminium, extruded, for **AR/377, AR/39, AR/40, ARH/40, AR/45, AR/41, AER42, AER44m/S, AER44/S** profiles and **SF45/137...205u, SF45/137...205u-B, SF45/137...205u-M, SF45/137...205u-BM, SF230/S-M, SF250/Sa-M, SF125...205a, SF230/S, SF250/Sa, SF20/137...205, SF-R/137...205, SF-QR/137...205** end caps

Aluminium, stranggepresst, für Profile **AR/377, AR/39, AR/40, ARH/40, AR/45, AR/41, AER42, AER44m/S, AER44/S** und Blendenkappen **SF45/137...205u, SF45/137...205u-B, SF45/137...205u-M, SF45/137...205u-BM, SF230/S-M, SF250/Sa-M, SF125...205a, SF230/S, SF250/Sa, SF20/137...205, SF-R/137...205, SF-QR/137...205**

GR45×60E



GR45×60E — sans joint / without insert / ohne Einlage

GR45×60BE — joint-brosse **ISE01** serti / with **ISE01** brush insert / mit Bürsteneinlage **ISE01**

GR45×60IE — joint **IS11** serti / with **IS11** insert / mit Einlage **IS11**

GR45×60B17 — joint-brosse **ISE17** serti / with **ISE17** brush insert / mit Bürsteneinlage **ISE17**

GR45×60I24 — joint-brosse **IS24** serti / with **IS24** brush insert / mit Bürsteneinlage **IS24**

GR45×60BE



GR45×60IE



GR45×60B17



GR45×60I24



GR45×60E

GR45×60BE

GR45×60IE

GR45×60B17

GR45×60I24

Coloris	Colour	Farbe	Code	Surface structurée	Surface lisse	Surface structurée	Surface lisse	Surface structurée	Surface lisse	Surface structurée	Surface lisse
				Shagreen	Gloss	Shagreen	Gloss	Shagreen	Gloss	Shagreen	Gloss
				Oberfläche strukturiert	Oberfläche glänzend	Oberfläche strukturiert	Oberfläche glänzend	Oberfläche strukturiert	Oberfläche glänzend	Oberfläche strukturiert	Oberfläche glänzend
Code • Code • Code											
brut	mill-finished	blank	307004100	–	–	–	–	–	–	–	–
blanc	white	weiß	–	307005101	307005201	307006101	307006201	307092101	307092201	–	307102201
brun	brown	braun	–	307005102	307005202	307006102	307006202	307092102	307092202	–	307102202
gris	grey	grau	–	307005103	307005203	307006103	307006203	307092103	307092203	–	307102203
beige	beige	beige	–	307005104	307005204	307006104	307006204	307092104	307092204	–	307102204
bleu ciel	sky blue	himmelblau	–	–	307005206	–	307006206	–	307092206	–	307102206
rouge pourpre	purple red	purpurrot	–	–	307005207	–	307006207	–	307092207	–	307102207
alu argenté	silver	silber	–	307005108	307005208	307006108	307006208	307092108	307092208	–	307102208
noir	black	schwarz	–	–	307005210	–	307006210	–	307092210	–	307102210
anthracite	anthracite	anthrazit	–	–	307005213	–	307006213	–	307092213	–	307102213
vert sapin	green fir	tannengrün	–	–	307005215	–	307006215	–	307092215	–	307102215
bleu azuré	azure blue	azurblau	–	–	307005216	–	307006216	–	307092216	–	307102216
jaune	yellow	gelb	–	–	307005220	–	307006220	–	307092220	–	307102220
crème	cream	cremeweiss	–	–	307005221	–	307006221	–	307092221	–	307102221
brun foncé	dark brown	dunkelbraun	–	307005122	307005222	307006122	307006222	307092122	307092222	–	307102222
ivoire claire	light ivory	hellelfenbein	–	–	307005223	–	307006223	–	307092223	–	307102223
beige foncé	dark beige	dunkelbeige	–	–	307005224	–	307006224	–	307092224	–	307102224
vert mousse	green moss	moosgrün	–	–	307005225	–	307006225	–	307092225	–	307102225
bleu foncé	dark blue	dunkelblau	–	–	307005226	–	307006226	–	307092226	–	307102226
bronze	bronze	bronze	–	–	307005229	–	307006229	–	307092229	–	307102229
chêne doré	golden oak	goldene Eiche	–	307005119	–	307006119	–	307092119	–	–	–
merisier	black cherry	Kirsche	–	307005149	–	307006149	–	307092149	–	–	–
noyer	nut	Nussbaum	–	307005159	–	307006159	–	307092159	–	–	–
Poids de 1 ml, kg											
• Weight per 1 m, kg • Gewicht je lfd.m, kg			0,617	0,634	0,677	0,655	0,655				
Longueur standardisée, m											
• Standard length, m • Produktionslänge, m			6	6	6	6	6	6	6		
Commande standardisée, m											
• Standard pack, m • Verpackungseinheit, m			36	36	36	24	24	24	24		

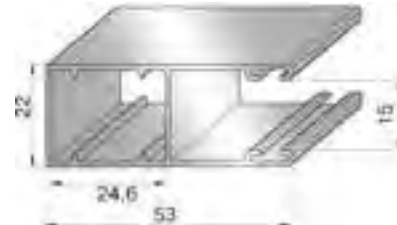
GR53x22/eco | COULISSES | GUIDE RAILS | FÜHRUNGSSCHIENEN

Extrudée en aluminium, compatible avec les lames **AR/377, AR/39, AR/40, ARH/40, AR/45, AR/41, AER42, AER44m/S, AER44/S** et les joues latérales **SF45/137...205u, SF45/137...205u-B, SF45/137...205u-M, SF45/137...205u-BM, SF230/S-M, SF250/Sa-M, SF125...205a, SF230/S, SF250/Sa, SF20/137...205, SF-R/137...205, SF-QR/150...205**

Aluminium, extruded, for **AR/377, AR/39, AR/40, ARH/40, AR/45, AR/41, AER42, AER44m/S, AER44/S** profiles and **SF45/137...205u, SF45/137...205u-B, SF45/137...205u-M, SF45/137...205u-BM, SF230/S-M, SF250/Sa-M, SF125...205a, SF230/S, SF250/Sa, SF20/137...205, SF-R/137...205, SF-QR/137...205** end caps

Aluminium, stranggepresst, für Profile **AR/377, AR/39, AR/40, ARH/40, AR/45, AR/41, AER42, AER44m/S, AER44/S** und Blendenkappen **SF45/137...205u, SF45/137...205u-B, SF45/137...205u-M, SF45/137...205u-BM, SF230/S-M, SF250/Sa-M, SF125...205a, SF230/S, SF250/Sa, SF20/137...205, SF-R/137...205, SF-QR/150...205**

GR53x22/eco



GR53x22/eco — sans joint / without insert / ohne Einlage

GR53x22B/eco — joint-brosse **ISE01** serti / with **ISE01** brush insert / mit Bürsteneinlage **ISE01**

GR53x22I/eco — joint **IS11** serti / with **IS11** insert / mit Einlage **IS11**

GR53x22B17/eco — joint-brosse **ISE17** serti / with **ISE17** brush insert / mit Bürsteneinlage **ISE17**

GR53x22I24/eco — joint-brosse **IS24** serti / with **IS24** brush insert / mit Bürsteneinlage **IS24**



GR53x22/eco			GR53x22B/eco		GR53x22I/eco		GR53x22B17/eco		GR53x22I24/eco		
Coloris	Colour	Farbe	Code	Surface structurée	Surface lisse	Surface structurée	Surface lisse	Surface structurée	Surface lisse	Surface structurée	Surface lisse
				Oberfläche strukturiert	Oberfläche glänzend	Oberfläche strukturiert	Oberfläche glänzend	Oberfläche strukturiert	Oberfläche glänzend	Oberfläche strukturiert	Oberfläche glänzend
Code • Code • Code											
brut	mill-finished	blank	307055100	-	-	-	-	-	-	-	-
blanc	white	weiß	-	307057101	307057201	307056101	307056201	307087101	307087201	307097101	307097201
brun	brown	braun	-	307057102	307057202	307056102	307056202	307087102	307087202	307097102	307097202
gris	grey	grau	-	307057103	307057203	307056103	307056203	307087103	307087203	307097103	307097203
beige	beige	beige	-	307057104	307057204	307056104	307056204	307087104	307087204	307097104	307097204
bleu ciel	sky blue	himmelblau	-	-	307057206	-	307056206	-	307087206	-	307097206
rouge pourpre	purple red	purpurrot	-	-	307057207	-	307056207	-	307087207	-	307097207
alu argenté	silver	silber	-	307057108	307057208	307056108	307056208	307087108	307087208	-	307097208
noir	black	schwarz	-	-	307057210	-	307056210	-	307087210	-	307097210
anthracite	anthracite	anthrazit	-	-	307057213	-	307056213	-	307087213	-	307097213
vert sapin	green fir	tannengrün	-	-	307057215	-	307056215	-	307087215	-	307097215
bleu azuré	azure blue	azurblau	-	-	307057216	-	307056216	-	307087216	-	307097216
jaune	yellow	gelb	-	-	307057220	-	307056220	-	307087220	-	307097220
crème	cream	cremeweiss	-	-	307057221	-	307056221	-	307087221	-	307097221
brun foncé	dark brown	dunkelbraun	-	307057122	307057222	307056122	307056222	307087122	307087222	-	307097222
ivoire claire	light ivory	hellelfenbein	-	-	307057223	-	307056223	-	307087223	-	307097223
beige foncé	dark beige	dunkelbeige	-	-	307057224	-	307056224	-	307087224	-	307097224
vert mousse	green moss	moosgrün	-	-	307057225	-	307056225	-	307087225	-	307097225
bleu foncé	dark blue	dunkelblau	-	-	307057226	-	307056226	-	307087226	-	307097226
bronze	bronze	bronze	-	-	307057229	-	307056229	-	307087229	-	307097229
chêne doré	golden oak	goldene Eiche	-	307057119	-	307056119	-	307087119	-	307097119	-
merisier	black cherry	Kirsche	-	307057149	-	307056149	-	307087149	-	307097149	-
noyer	nut	Nussbaum	-	307057159	-	307056159	-	307087159	-	307097159	-
Poids de 1 ml, kg • Weight per 1 m, kg • Gewicht je lfd.m, kg			0,453	0,459	0,506	0,477	0,477				
Longueur standardisée, m • Standard length, m • Produktionslänge, m			6	6	6	6	6				
Commande standardisée, m • Standard pack, m • Verpackungseinheit, m			36	36	36	36	36				

Plaxage par le film Renolit • Lamination by Renolit film • Kaschierung mit Renolit-Folie

Coloris	Colour	Farbe	GR53x22I/eco	GR53x22B/eco
			Code • Code • Code	
chêne doré Renolit	golden oak Renolit	goldene Eiche Renolit	307056419	307057419
noyer Renolit	nut Renolit	Nussbaum Renolit	307056459	307057459



GR53x22I/eco

Schema d'application

Application scheme

Schema der Auftragung

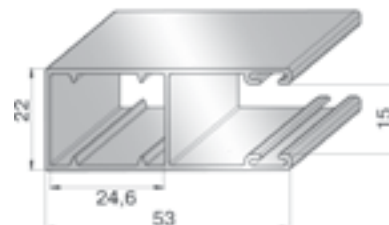
GR53x22E | COULISSES | GUIDE RAILS | FÜHRUNGSSCHIENEN

Extrudée en aluminium, compatible avec les lames **AR/377, AR/39, AR/40, ARH/40, AR/45, AR/41, AER42, AER44m/S, AER44/S** et les joues latérales **SF45/137...205u, SF45/137...205u-B, SF45/137...205u-M, SF45/137...205u-BM, SF230/S-M, SF250/Sa-M, SF125...205a, SF230/S, SF250/Sa, SF20/137...205, SF-R/137...205, SF-QR/137...205**

Aluminium, extruded, for **AR/377, AR/39, AR/40, ARH/40, AR/45, AR/41, AER42, AER44m/S, AER44/S** profiles and **SF45/137...205u, SF45/137...205u-B, SF45/137...205u-M, SF45/137...205u-BM, SF230/S-M, SF250/Sa-M, SF125...205a, SF230/S, SF250/Sa, SF20/137...205, SF-R/137...205, SF-QR/137...205** end caps

Aluminium, stranggepresst, für Profile **AR/377, AR/39, AR/40, ARH/40, AR/45, AR/41, AER42, AER44m/S, AER44/S** und Blendenkappen **SF45/137...205u, SF45/137...205u-B, SF45/137...205u-M, SF45/137...205u-BM, SF230/S-M, SF250/Sa-M, SF125...205a, SF230/S, SF250/Sa, SF20/137...205, SF-R/137...205, SF-QR/137...205**

GR53x22E



GR53x22E — sans joint / without insert / ohne Einlage

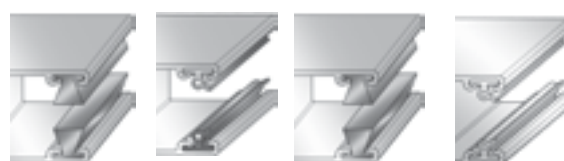
GR53x22BE — joint-brosse **ISE01** serti / with **ISE01** brush insert / mit Bürsteneinlage **ISE01**

GR53x22IE — joint **IS11** serti / with **IS11** insert / mit Einlage **IS11**

GR53x22B17 — joint-brosse **ISE17** serti / with **ISE17** brush insert / mit Bürsteneinlage **ISE17**

GR53x22I24 — joint-brosse **IS24** serti / with **IS24** brush insert / mit Bürsteneinlage **IS24**

GR53x22BE GR53x22IE GR53x22B17 GR53x22I24



GR53x22E			GR53x22BE		GR53x22IE		GR53x22B17		GR53x22I24					
Coloris	Colour	Farbe	Code	Surface structurée	Surface lisse	Surface structurée	Surface lisse	Surface structurée	Surface lisse	Surface structurée	Surface lisse			
				Shagreen	Gloss	Shagreen	Gloss	Shagreen	Gloss	Shagreen	Gloss			
			Oberfläche strukturiert			Oberfläche glänzend			Oberfläche strukturiert			Oberfläche glänzend		
Code • Code • Code														
brut	mill-finished	blank	1051010	-	-	-	-	-	-	-	-			
blanc	white	weiß	-	307008101	307008201	307009101	307009201	307089101	307089201	-	307099201			
brun	brown	braun	-	307008102	307008202	307009102	307009202	307089102	307089202	-	307099202			
gris	grey	grau	-	307008103	307008203	307009103	307009203	307089103	307089203	-	307099203			
beige	beige	beige	-	307008104	307008204	307009104	307009204	307089104	307089204	-	307099204			
bleu ciel	sky blue	himmelblau	-	-	307008206	-	307009206	-	307089206	-	307099206			
rouge pourpre	purple red	purpurrot	-	-	307008207	-	307009207	-	307089207	-	307099207			
alu argenté	silver	silber	-	307008108	307008208	307009108	307009208	307089108	307089208	-	307099208			
noir	black	schwarz	-	-	307008210	-	307009210	-	307089210	-	307099210			
anthracite	anthracite	anthrazit	-	-	307008213	-	307009213	-	307089213	-	307099213			
vert sapin	green fir	tannengrün	-	-	307008215	-	307009215	-	307089215	-	307099215			
bleu azuré	azure blue	azurblau	-	-	307008216	-	307009216	-	307089216	-	307099216			
jaune	yellow	gelb	-	-	307008220	-	307009220	-	307089220	-	307099220			
crème	cream	cremeweiss	-	-	307008221	-	307009221	-	307089221	-	307099221			
brun foncé	dark brown	dunkelbraun	-	307008122	307008222	307009122	307009222	307089122	307089222	-	307099222			
ivoire claire	light ivory	hellelfenbein	-	-	307008223	-	307009223	-	307089223	-	307099223			
beige foncé	dark beige	dunkelbeige	-	-	307008224	-	307009224	-	307089224	-	307099224			
vert mousse	green moss	moosgrün	-	-	307008225	-	307009225	-	307089225	-	307099225			
bleu foncé	dark blue	dunkelblau	-	-	307008226	-	307009226	-	307089226	-	307099226			
bronze	bronze	bronze	-	-	307008229	-	307009229	-	307089229	-	307099229			
chêne doré	golden oak	goldene Eiche	-	307008119	-	307009119	-	307089119	-	-	-			
merisier	black cherry	Kirsche	-	307008149	-	307009149	-	307089149	-	-	-			
noyer	nut	Nussbaum	-	307008159	-	307009159	-	307089159	-	-	-			
Poids de 1 ml, kg			0,548	0,565	0,608	0,595	0,595							
• Weight per 1 m, kg • Gewicht je lfd.m, kg														
Longueur standardisée, m			6	6	6	6	6							
• Standard length, m • Produktionslänge, m														
Commande standardisée, m			36	36	36	36	36							
• Standard pack, m • Verpackungseinheit, m														

Plaxage par le film Renolit • Lamination by Renolit film • Kaschierung mit Renolit-Folie

Coloris	Colour	Farbe	GR53x22IE	GR53x22BE
			Code • Code • Code	
chêne doré Renolit	golden oak Renolit	goldene Eiche Renolit	307024419	307008419
noyer Renolit	nut Renolit	Nussbaum Renolit	307024459	307008459



GR53x22IE

Schema d'application

Application scheme

Schema der Auftragung

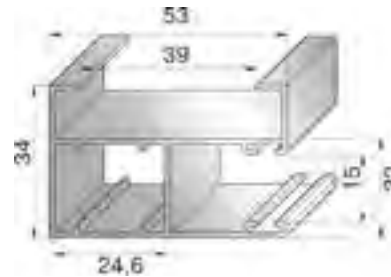
GR53x34E | COULISSES | GUIDE RAILS | FÜHRUNGSSCHIENEN

Extrudée en aluminium, compatible avec les lames **AR/377, AR/39, AR/40, ARH/40, AR/45, AR/41, AER42, AER44m/S, AER44/S** et les joues latérales **SF45/137...205u, SF45/137...205u-B, SF45/137...205u-M, SF45/137...205u-BM, SF230/S-M, SF250/Sa-M, SF125...205a, SF230/S, SF250/Sa, SF20/137...205, SF-R/137...205, SF-QR/137...205**

Aluminium, extruded, for **AR/377, AR/39, AR/40, ARH/40, AR/45, AR/41, AER42, AER44m/S, AER44/S** profiles and **SF45/137...205u, SF45/137...205u-B, SF45/137...205u-M, SF45/137...205u-BM, SF230/S-M, SF250/Sa-M, SF125...205a, SF230/S, SF250/Sa, SF20/137...205, SF-R/137...205, SF-QR/137...205** end caps

Aluminium, stranggepresst, für Profile **AR/377, AR/39, AR/40, ARH/40, AR/45, AR/41, AER42, AER44m/S, AER44/S** und Blendenkappen **SF45/137...205u, SF45/137...205u-B, SF45/137...205u-M, SF45/137...205u-BM, SF230/S-M, SF250/Sa-M, SF125...205a, SF230/S, SF250/Sa, SF20/137...205, SF-R/137...205, SF-QR/137...205**

GR53x34E



GR53x34BE



GR53x34IE



GR53x34B17



GR53x34I24



GR53x34E — sans joint / without insert / ohne Einlage

GR53x34BE — joint-brosse **ISE01** serti / with **ISE01** brush insert / mit Bürsteneinlage **ISE01**

GR53x34IE — joint **IS11** serti / with **IS11** insert / mit Einlage **IS11**

GR53x34B17 — joint-brosse **ISE17** serti / with **ISE17** brush insert / mit Bürsteneinlage **ISE17**

GR53x34I24 — joint-brosse **IS24** serti / with **IS24** brush insert / mit Bürsteneinlage **IS24**

GR53x34E GR53x34BE GR53x34IE GR53x34B17 GR53x34I24

Coloris	Colour	Farbe	Code	Surface structurée	Surface lisse	Surface structurée	Surface lisse	Surface structurée	Surface lisse	Surface structurée	Surface lisse
				Shagreen	Gloss	Shagreen	Gloss	Shagreen	Gloss	Shagreen	Gloss
				Oberfläche strukturiert	Oberfläche glänzend	Oberfläche strukturiert	Oberfläche glänzend	Oberfläche strukturiert	Oberfläche glänzend	Oberfläche strukturiert	Oberfläche glänzend
Code • Code • Code											
brut	mill-finished	blank	307010100	-	-	-	-	-	-	-	-
blanc	white	weiß	-	307011101	307011201	307012101	307012201	307093101	307093201	-	307103201
brun	brown	braun	-	307011102	307011202	307012102	307012202	307093102	307093202	-	307103202
gris	grey	grau	-	307011103	307011203	307012103	307012203	307093103	307093203	-	307103203
beige	beige	beige	-	307011104	307011204	307012104	307012204	307093104	307093204	-	307103204
bleu ciel	sky blue	himmelblau	-	-	307011206	-	307012206	-	307093206	-	307103206
rouge pourpre	purple red	purpurrot	-	-	307011207	-	307012207	-	307093207	-	307103207
alu argenté	silver	silber	-	307011108	307011208	307012108	307012208	307093108	307093208	-	307103208
noir	black	schwarz	-	-	307011210	-	307012210	-	307093210	-	307103210
anthracite	anthracite	anthrazit	-	-	307011213	-	307012213	-	307093213	-	307103213
vert sapin	green fir	tannengrün	-	-	307011215	-	307012215	-	307093215	-	307103215
bleu azuré	azure blue	azurblau	-	-	307011216	-	307012216	-	307093216	-	307103216
jaune	yellow	gelb	-	-	307011220	-	307012220	-	307093220	-	307103220
crème	cream	cremeweiss	-	-	307011221	-	307012221	-	307093221	-	307103221
brun foncé	dark brown	dunkelbraun	-	307011122	307011222	307012122	307012222	307093122	307093222	-	307103222
ivoire claire	light ivory	hellelfenbein	-	-	307011223	-	307012223	-	307093223	-	307103223
beige foncé	dark beige	dunkelbeige	-	-	307011224	-	307012224	-	307093224	-	307103224
vert mousse	green moss	moosgrün	-	-	307011225	-	307012225	-	307093225	-	307103225
bleu foncé	dark blue	dunkelblau	-	-	307011226	-	307012226	-	307093226	-	307103226
bronze	bronze	bronze	-	-	307011229	-	307012229	-	307093229	-	307103229
chêne doré	golden oak	goldene Eiche	-	307057119	-	307056119	-	307087119	-	-	-
merisier	black cherry	Kirsche	-	307057149	-	307056149	-	307087149	-	-	-
noyer	nut	Nussbaum	-	307057159	-	307056159	-	307087159	-	-	-
Poids de 1 ml, kg											
• Weight per 1 m, kg • Gewicht je lfd.m, kg			0,625	0,689	0,669	0,689	0,689	0,689	0,689	0,689	0,689
Longueur standardisée, m											
• Standard length, m • Produktionslänge, m			6	6	6	6	6	6	6	6	6
Commande standardisée, m											
• Standard pack, m • Verpackungseinheit, m			36	36	36	36	36	36	36	36	36

GR53x39E | COULISSES | GUIDE RAILS | FÜHRUNGSSCHIENEN

En aluminium, extrudée, pour poser le VR à la moustiquaire à cadre fixe.

Aluminium, extruded, to install the roller shutter on the insect screen frame.

Aluminium, stranggepresst. Zum Anbringen des Rollladens am Insektenschutz-Spannrahmen

A utiliser avec les lames **AR/377, AR/39, AR/41, AR/45, AR/40, ARH/40, AER42, AER44m/S, AER44/S** et les joues latérales **SF45/137...205u-M, SF45/137...205u-BM, SF230/S-M, SF250/Sa-M, SF125...205a, SF230/S, SF250/Sa, SF45/137...205u, SF45/137...205u-B, SF-R/137...205, SF-QR/137...205, SF20/137...205**

Used with **AR/377, AR/39, AR/41, AR/45, AR/40, ARH/40, AER42, AER44m/S, AER44/S** profiles and **SF45/137...205u-M, SF45/137...205u-BM, SF230/S-M, SF250/Sa-M, SF125...205a, SF230/S, SF250/Sa, SF45/137...205u, SF45/137...205u-B, SF-R/137...205, SF-QR/137...205, SF20/137...205** end caps

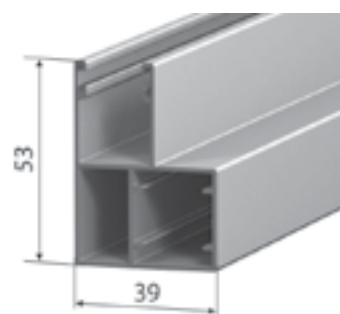
Für Profile **AR/377, AR/39, AR/41, AR/45, AR/40, ARH/40, AER42, AER44m/S, AER44/S** und Blendenkappen **SF45/137...205u-M, SF45/137...205u-BM, SF230/S-M, SF250/Sa-M, SF125...205a, SF230/S, SF250/Sa, SF45/137...205u, SF45/137...205u-B, SF-R/137...205, SF-QR/137...205, SF20/137...205**

GR53x39E – sans joint / without insert / ohne Einlage

GR53x39IE – avec joint IS11 / with IS11 insert / mit Einlage IS11

GR53x39BE – avec brosse ISE01 / with ISE01 brush insert / mit Bürsteneinlage ISE01

GR53x39B17 – avec brosse ISE17 / with ISE17 brush insert / mit Bürsteneinlage ISE17

GR53x39E

GR53x39IE

GR53x39BE

GR53x39B17

GR53x39E
GR53x39IE
GR53x39BE
GR53x39B17

Coloris	Colour	Farbe	GR53x39E		GR53x39IE		GR53x39BE		GR53x39B17	
			Surface structurée Shagreen Oberfläche strukturiert	Surface lisse Gloss Oberfläche glänzend	Surface structurée Shagreen Oberfläche strukturiert	Surface lisse Gloss Oberfläche glänzend	Surface structurée Shagreen Oberfläche strukturiert	Surface lisse Gloss Oberfläche glänzend		
			Code • Code • Code							
brut	mill-finished	blank	307143100							
blanc	white	weiß	-	307144101	307144201	307145101	307145201	307146101	307146201	
brun	brown	braun	-	307144102	307144202	307145102	307145202	307146102	307146202	
gris	grey	grau	-	307144103	307144203	307145103	307145203	307146103	307146203	
beige	beige	beige	-	307144104	307144204	307145104	307145204	307146104	307146204	
bleu ciel	sky blue	himmelblau	-	-	307144206	-	307145206	-	307146206	
rouge pourpre	purple red	purpurrot	-	-	307144207	-	307145207	-	307146207	
alu argenté	silver	silber	-	307144108	307144208	307145108	307145208	307146108	307146208	
noir	black	schwarz	-	-	307144210	-	307145210	-	307146210	
anthracite	anthracite	anthrazit	-	-	307144213	-	307145213	-	307146213	
vert sapin	green fir	tannengrün	-	-	307144215	-	307145215	-	307146215	
bleu azuré	azure blue	azurblau	-	-	307144216	-	307145216	-	307146216	
chêne doré	golden oak	goldene Eiche	-	307144119	-	307145119	-	307146119	-	
jaune	yellow	gelb	-	-	307144220	-	307145220	-	307146220	
crème	cream	cremeweiss	-	-	307144221	-	307145221	-	307146221	
brun foncé	dark brown	dunkelbraun	-	307144122	307144222	307145122	307145222	307146122	307146222	
ivoire claire	light ivory	hell elfenbein	-	-	307144223	-	307145223	-	307146223	
beige foncé	dark beige	dunkelbeige	-	-	307144224	-	307145224	-	307146224	
vert mousse	green moss	moosgrün	-	-	307144225	-	307145225	-	307146225	
bleu foncé	dark blue	dunkelblau	-	-	307144226	-	307145226	-	307146226	
bronze	bronze	bronze	-	-	307144229	-	307145229	-	307146229	
chêne irlandais	Irish oak	Eiche hell	-	307144139	-	307145139	-	307146139	-	
merisier	black cherry	Kirsche	-	307144149	-	307145149	-	307146149	-	
noyer	nut	Nussbaum	-	307144159	-	307145159	-	307146159	-	
Poids de 1 m, kg										
• Weight per 1 m, kg • Gewicht je lfd.m, kg			0,711	0,767		0,743		0,742		
Longueur standardisée, m										
• Standard length, m • Produktionslänge, m			6	6		6		6		
Commande standardisée, m										
• Standard pack, m • Verpackungseinheit, m			36	36		36		36		

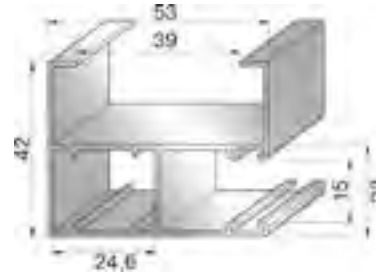
GR53×42E | COULISSES | GUIDE RAILS | FÜHRUNGSSCHIENEN

Extrudée en aluminium, compatible avec les lames **AR/377, AR/39, AR/40, ARH/40, AR/45, AR/41, AER42, AER44m/S, AER44/S** et les joues latérales **SF45/137...205u, SF45/137...205u-B, SF45/137...205u-M, SF45/137...205u-BM, SF230/S-M, SF250/Sa-M, SF125...205a, SF230/S, SF250/Sa, SF20/137...205, SF-R/137...205, SF-QR/137...205**

Aluminium, extruded, for **AR/377, AR/39, AR/40, ARH/40, AR/45, AR/41, AER42, AER44m/S, AER44/S** profiles and **SF45/137...205u, SF45/137...205u-B, SF45/137...205u-M, SF45/137...205u-BM, SF230/S-M, SF250/Sa-M, SF125...205a, SF230/S, SF250/Sa, SF20/137...205, SF-R/137...205, SF-QR/137...205** end caps

Aluminium, strangepresst, für Profile **AR/377, AR/39, AR/40, ARH/40, AR/45, AR/41, AER42, AER44m/S, AER44/S** und Blendenkappen **SF45/137...205u, SF45/137...205u-B, SF45/137...205u-M, SF45/137...205u-BM, SF230/S-M, SF250/Sa-M, SF125...205a, SF230/S, SF250/Sa, SF20/137...205, SF-R/137...205, SF-QR/137...205**

GR53×42E



GR53×42BE



GR53×42IE



GR53×42B17



GR53×42I24



GR53×42E — sans joint / without insert / ohne Einlage

GR53×42BE — joint-brosse **ISE01** serti / with **ISE01** brush insert / mit Bürsteneinlage **ISE01**

GR53×42IE — joint **IS11** serti / with **IS11** insert / mit Einlage **IS11**

GR53×42B17 — joint-brosse **ISE17** serti / with **ISE17** brush insert / mit Bürsteneinlage **ISE17**

GR53×42I24 — joint-brosse **IS24** serti / with **IS24** brush insert / mit Bürsteneinlage **IS24**

GR53×42E GR53×42BE GR53×42IE GR53×42B17 GR53×42I24

Coloris	Colour	Farbe	GR53×42E		GR53×42BE		GR53×42IE		GR53×42B17		GR53×42I24	
			Surface structurée Shagreen Oberfläche strukturiert	Surface lisse Gloss Oberfläche glänzend	Surface structurée Shagreen Oberfläche strukturiert	Surface lisse Gloss Oberfläche glänzend	Surface structurée Shagreen Oberfläche strukturiert	Surface lisse Gloss Oberfläche glänzend	Surface structurée Shagreen Oberfläche strukturiert	Surface lisse Gloss Oberfläche glänzend	Surface structurée Shagreen Oberfläche strukturiert	Surface lisse Gloss Oberfläche glänzend
Code • Code • Code												
brut	mill-finished	blank	307013100	-	-	-	-	-	-	-	-	-
blanc	white	weiß	-	307014101	307014201	307015101	307015201	307094101	307094201	-	307104201	
brun	brown	braun	-	307014102	307014202	307015102	307015202	307094102	307094202	-	307104202	
gris	grey	grau	-	307014103	307014203	307015103	307015203	307094103	307094203	-	307104203	
beige	beige	beige	-	307014104	307014204	307015104	307015204	307094104	307094204	-	307104204	
bleu ciel	sky blue	himmelblau	-	-	307014206	-	307015206	-	307094206	-	307104206	
rouge pourpre	purple red	purpurrot	-	-	307014207	-	307015207	-	307094207	-	307104207	
alu argenté	silver	silber	-	307014108	307014208	307015108	307015208	307094108	307094208	-	307104208	
noir	black	schwarz	-	-	307014210	-	307015210	-	307094210	-	307104210	
anthracite	anthracite	anthrazit	-	-	307014213	-	307015213	-	307094213	-	307104213	
vert sapin	green fir	tannengrün	-	-	307014215	-	307015215	-	307094215	-	307104215	
bleu azuré	azure blue	azurblau	-	-	307014216	-	307015216	-	307094216	-	307104216	
jaune	yellow	gelb	-	-	307014220	-	307015220	-	307094220	-	307104220	
crème	cream	cremeweiss	-	-	307014221	-	307015221	-	307094221	-	307104221	
brun foncé	dark brown	dunkelbraun	-	307014122	307014222	307015122	307015222	307094122	307094222	-	307104222	
ivoire claire	light ivory	hellelfenbein	-	-	307014223	-	307015223	-	307094223	-	307104223	
beige foncé	dark beige	dunkelbeige	-	-	307014224	-	307015224	-	307094224	-	307104224	
vert mousse	green moss	moosgrün	-	-	307014225	-	307015225	-	307094225	-	307104225	
bleu foncé	dark blue	dunkelblau	-	-	307014226	-	307015226	-	307094226	-	307104226	
bronze	bronze	bronze	-	-	307014229	-	307015229	-	307094229	-	307104229	
Poids de 1 ml, kg • Weight per 1 m, kg • Gewicht je lfd.m, kg			0,674	0,721	0,721	0,741	0,741	0,741	0,741	0,741	0,741	
Longueur standardisée, m • Standard length, m • Produktionslänge, m			6	6	6	6	6	6	6	6	6	
Commande standardisée, m • Standard pack, m • Verpackungseinheit, m			36	36	36	36	36	36	36	36	36	

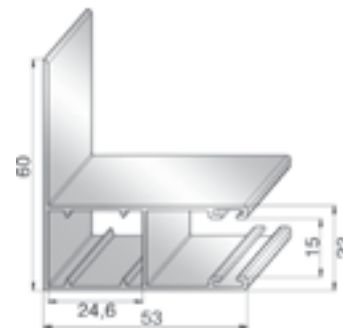
GR53x60E | COULISSES | GUIDE RAILS | FÜHRUNGSSCHIENEN

Extrudée en aluminium, compatible avec les lames **AR/377, AR/39, AR/40, ARH/40, AR/45, AR/41, AER42, AER44m/S, AER44/S** et les joues latérales **SF45/137...205u, SF45/137...205u-B, SF45/137...205u-M, SF45/137...205u-BM, SF230/S-M, SF250/Sa-M, SF125...205a, SF230/S, SF250/Sa, SF20/137...205, SF-R/137...205, SF-QR/137...205**

Aluminium, extruded, for **AR/377, AR/39, AR/40, ARH/40, AR/45, AR/41, AER42, AER44m/S, AER44/S** profiles and **SF45/137...205u, SF45/137...205u-B, SF45/137...205u-M, SF45/137...205u-BM, SF230/S-M, SF250/Sa-M, SF125...205a, SF230/S, SF250/Sa, SF20/137...205, SF-R/137...205, SF-QR/137...205** end caps

Aluminium, stranggepresst, für Profile **AR/377, AR/39, AR/40, ARH/40, AR/45, AR/41, AER42, AER44m/S, AER44/S** und Blendenkappen **SF45/137...205u, SF45/137...205u-B, SF45/137...205u-M, SF45/137...205u-BM, SF230/S-M, SF250/Sa-M, SF125...205a, SF230/S, SF250/Sa, SF20/137...205, SF-R/137...205, SF-QR/137...205**

GR53x60E



GR53x60E — sans joint / without insert / ohne Einlage

GR53x60BE — joint-brosse **ISE01** serti / with **ISE01** brush insert / mit Bürsteneinlage **ISE01**

GR53x60IE — joint **IS11** serti / with **IS11** insert / mit Einlage **IS11**

GR53x60B17 — joint-brosse **ISE17** serti / with **ISE17** brush insert / mit Bürsteneinlage **ISE17**

GR53x60I24 — joint-brosse **IS24** serti / with **IS24** brush insert / mit Bürsteneinlage **IS24**

GR53x60BE



GR53x60IE



GR53x60B17



GR53x60I24

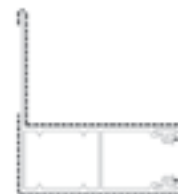


GR53x60E GR53x60BE GR53x60IE GR53x60B17 GR53x60I24

Coloris	Colour	Farbe	GR53x60E		GR53x60BE		GR53x60IE		GR53x60B17		GR53x60I24	
			Surface structurée Shagreen Oberfläche strukturiert	Surface lisse Gloss Oberfläche glänzend	Surface structurée Shagreen Oberfläche strukturiert	Surface lisse Gloss Oberfläche glänzend	Surface structurée Shagreen Oberfläche strukturiert	Surface lisse Gloss Oberfläche glänzend	Surface structurée Shagreen Oberfläche strukturiert	Surface lisse Gloss Oberfläche glänzend		
Code • Code • Code												
brut	mill-finished	blank	1051050	-	-	-	-	-	-	-	-	-
blanc	white	weiß	-	307017101	307017201	307018101	307018201	307091101	307091201	-	-	307101201
brun	brown	braun	-	307017102	307017202	307018102	307018202	307091102	307091202	-	-	307101202
gris	grey	grau	-	307017103	307017203	307018103	307018203	307091103	307091203	-	-	307101203
beige	beige	beige	-	307017104	307017204	307018104	307018204	307091104	307091204	-	-	307101204
bleu ciel	sky blue	himmelblau	-	-	307017206	-	307018206	-	307091206	-	-	307101206
rouge pourpre	purple red	purpurrot	-	-	307017207	-	307018207	-	307091207	-	-	307101207
alu argenté	silver	silber	-	307017108	307017208	307018108	307018208	307091108	307091208	-	-	307101208
noir	black	schwarz	-	-	307017210	-	307018210	-	307091210	-	-	307101210
anthracite	anthracite	anthrazit	-	-	307017213	-	307018213	-	307091213	-	-	307101213
vert sapin	green fir	tannengrün	-	-	307017215	-	307018215	-	307091215	-	-	307101215
bleu azuré	azure blue	azurblau	-	-	307017216	-	307018216	-	307091216	-	-	307101216
jaune	yellow	gelb	-	-	307017220	-	307018220	-	307091220	-	-	307101220
crème	cream	cremeweiss	-	-	307017221	-	307018221	-	307091221	-	-	307101221
brun foncé	dark brown	dunkelbraun	-	307017122	307017222	307018122	307018222	307091122	307091222	-	-	307101222
ivoire claire	light ivory	hell elfenbein	-	-	307017223	-	307018223	-	307091223	-	-	307101223
beige foncé	dark beige	dunkelbeige	-	-	307017224	-	307018224	-	307091224	-	-	307101224
vert mousse	green moss	moosgrün	-	-	307017225	-	307018225	-	307091225	-	-	307101225
bleu foncé	dark blue	dunkelblau	-	-	307017226	-	307018226	-	307091226	-	-	307101226
bronze	bronze	bronze	-	-	307017229	-	307018229	-	307091229	-	-	307101229
chêne doré	golden oak	goldene Eiche	-	307017119	-	307018119	-	307091119	-	-	307101119	-
merisier	black cherry	Kirsche	-	307017149	-	307018149	-	307091149	-	-	307101149	-
noyer	nut	Nussbaum	-	307017159	-	307018159	-	307091159	-	-	307101159	-
Poids de 1 ml, kg • Weight per 1 m, kg • Gewicht je lfd.m, kg			0,557	0,635		0,635		0,655		0,655		
Longueur standardisée, m • Standard length, m • Produktionslänge, m			6	6		6		6		6		
Commande standardisée, m • Standard pack, m • Verpackungseinheit, m			24	24		24		24		24		

Plaxage par le film Renolit • Lamination by Renolit film • Kaschierung mit Renolit-Folie

Coloris	Colour	Farbe	GR53x60IE	GR53x60BE
			Code • Code • Code	
chêne doré Renolit	golden oak Renolit	goldene Eiche Renolit	307018419	307017419
noyer Renolit	nut Renolit	Nussbaum Renolit	307018459	307017459



GR53x60IE

Schema d'application
Application scheme
Schema der Auftragung

GR79x22E | COULISSES | GUIDE RAILS | FÜHRUNGSSCHIENEN

Extrudée en aluminium, compatible avec les lames **AR/377, AR/39, AR/40, ARH/40, AR/45, AR/41, AER42, AER44m/S, AER44/S** et les joues latérales **SF45/137...205/D, SF-R/137...205/D, SF-QR/137...205/D, SF45/137...205/I, SF-R/137...205/I, SF-QR/137...205/I, SF45/150...205/IQ, SF-R/150...205/IQ, SF-QR/150...205/IQ**

Aluminium, extruded, for **AR/377, AR/39, AR/40, ARH/40, AR/45, AR/41, AER42, AER44m/S, AER44/S** profiles and **SF45/137...205/D, SF-R/137...205/D, SF-QR/137...205/D, SF45/137...205/I, SF-R/137...205/I, SF-QR/137...205/I, SF45/150...205/IQ, SF-R/150...205/IQ, SF-QR/150...205/IQ** end caps

Aluminium, stranggepresst, für Profile **AR/377, AR/39, AR/40, ARH/40, AR/45, AR/41, AER42, AER44m/S, AER44/S** und Blendenkappen **SF45/137...205/D, SF-R/137...205/D, SF-QR/137...205/D, SF45/137...205/I, SF-R/137...205/I, SF-QR/137...205/I, SF45/150...205/IQ, SF-R/150...205/IQ, SF-QR/150...205/IQ**

GR79x22E



GR79x22E — sans joint / without insert / ohne Einlage

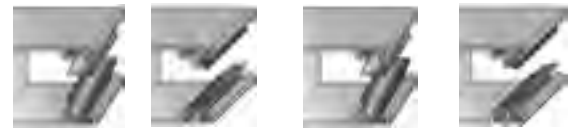
GR79x22BE — joint-brosse **ISE01** serti / with **ISE01** brush insert / mit Bürsteneinlage **ISE01**

GR79x22IE — joint **IS11** serti / with **IS11** insert / mit Einlage **IS11**

GR79x22B17 — joint-brosse **ISE17** serti / with **ISE17** brush insert / mit Bürsteneinlage **ISE17**

GR79x22I24 — joint-brosse **IS24** serti / with **IS24** brush insert / mit Bürsteneinlage **IS24**

GR79x22BE GR79x22IE GR79x22B17 GR79x22I24



GR79x22E			GR79x22BE		GR79x22IE		GR79x22B17		GR79x22I24	
Coloris	Colour	Farbe	Surface structurée	Surface lisse	Surface structurée	Surface lisse	Surface structurée	Surface lisse	Surface structurée	Surface lisse
			Shagreen	Gloss	Shagreen	Gloss	Shagreen	Gloss	Shagreen	Gloss
			Oberfläche strukturiert	Oberfläche glänzend	Oberfläche strukturiert	Oberfläche glänzend	Oberfläche strukturiert	Oberfläche glänzend	Oberfläche strukturiert	Oberfläche glänzend
Code • Code • Code										
brut	mill-finished	blank	1051040	-	-	-	-	-	-	-
blanc	white	weiß	-	307020101	307020201	307021101	307021201	307095101	307095201	307105201
brun	brown	braun	-	307020102	307020202	307021102	307021202	307095102	307095202	307105202
gris	grey	grau	-	307020103	307020203	307021103	307021203	307095103	307095203	307105203
beige	beige	beige	-	307020104	307020204	307021104	307021204	307095104	307095204	307105204
bleu ciel	sky blue	himmelblau	-	-	307020206	-	307021206	-	307095206	307105206
rouge pourpre	purple red	purpurrot	-	-	307020207	-	307021207	-	307095207	307105207
alu argenté	silver	silber	-	307020108	307020208	307021108	307021208	307095108	307095208	307105208
noir	black	schwarz	-	-	307020210	-	307021210	-	307095210	307105210
anthracite	anthracite	anthrazit	-	-	307020213	-	307021213	-	307095213	307105213
vert sapin	green fir	tannengrün	-	-	307020215	-	307021215	-	307095215	307105215
bleu azuré	azure blue	azurlblau	-	-	307020216	-	307021216	-	307095216	307105216
jaune	yellow	gelb	-	-	307020220	-	307021220	-	307095220	307105220
crème	cream	cremeweiss	-	-	307020221	-	307021221	-	307095221	307105221
brun foncé	dark brown	dunkelbraun	-	307020122	307020222	307021122	307021222	307095122	307095222	307105222
ivoire claire	light ivory	hellelfenbein	-	-	307020223	-	307021223	-	307095223	307105223
beige foncé	dark beige	dunkelbeige	-	-	307020224	-	307021224	-	307095224	307105224
vert mousse	green moss	moosgrün	-	-	307020225	-	307021225	-	307095225	307105225
bleu foncé	dark blue	dunkelblau	-	-	307020226	-	307021226	-	307095226	307105226
bronze	bronze	bronze	-	-	307020229	-	307021229	-	307095229	307105229
chêne doré	golden oak	goldene Eiche	-	307020119	-	307021119	-	307095119	-	-
merisier	black cherry	Kirsche	-	307020149	-	307021149	-	307095149	-	-
noyer	nut	Nussbaum	-	307020159	-	307021159	-	307095159	-	-
Poids de 1 ml, kg										
• Weight per 1 m, kg • Gewicht je lfd.m, kg			0,654	0,730	0,730	0,730	0,750	0,750	0,75	0,75
Longueur standardisée, m										
• Standard length, m • Produktionslänge, m			6	6	6	6	6	6	6	6
Commande standardisée, m										
• Standard pack, m • Verpackungseinheit, m			36	36	36	36	36	36	36	36

Plaxage par le film Renolit • Lamination by Renolit film • Kaschierung mit Renolit-Folie

Coloris	Colour	Farbe	GR79x22IE	GR79x22BE
			Code • Code • Code	
chêne doré Renolit	golden oak Renolit	goldene Eiche Renolit	307021419	307020419
noyer Renolit	nut Renolit	Nussbaum Renolit	307021459	307020459



GR79x22IE

Schema d'application

Application scheme

Schema der Auftragung

GR83x22E | COULISSES | GUIDE RAILS | FÜHRUNGSSCHIENEN

Extrudée en aluminium, compatible avec les lames **AR/377, AR/39, AR/41, AR/40, ARH/40, AR/45, AER42, AER44m/S, AER44/S** et les joues latérales **SF45/137...205/D, SF-R/137...205/D, SF-QR/137...205/D, SF45/137...205/I, SF-R/137...205/I, SF-QR/137...205/I, SF45/150...205/IQ, SF-R/150...205/IQ, SF-QR/150...205/IQ**

Aluminium, extruded, for **AR/377, AR/39, AR/41, AR/40, ARH/40, AR/45, AER42, AER44m/S, AER44/S** profiles and **SF45/137...205/D, SF-R/137...205/D, SF-QR/137...205/D, SF45/137...205/I, SF-R/137...205/I, SF-QR/137...205/I, SF45/150...205/IQ, SF-R/150...205/IQ, SF-QR/150...205/IQ** end caps

Aluminium, stranggepresst, für Profile **AR/377, AR/39, AR/41, AR/40, ARH/40, AR/45, AER42, AER44m/S, AER44/S** und Blendenkappen **SF45/137...205/D, SF-R/137...205/D, SF-QR/137...205/D, SF45/137...205/I, SF-R/137...205/I, SF-QR/137...205/I, SF45/150...205/IQ, SF-R/150...205/IQ, SF-QR/150...205/IQ**



GR83x22E — sans joint / without insert / ohne Einlage

GR83x22BE — joint-brosse **ISE01** serti / with **ISE01** brush insert / mit Bürsteneinlage **ISE01**

GR83x22IE — joint **IS11** serti / with **IS11** insert / mit Einlage **IS11**

GR83x22B17 — joint-brosse **ISE17** serti / with **ISE17** brush insert / mit Bürsteneinlage **ISE17**

GR83x22IE

GR83x22BE

GR83x22B17



GR83x22E

GR83x22BE

GR83x22IE

GR83x22B17

Coloris	Colour	Farbe	GR83x22E		GR83x22BE		GR83x22IE		GR83x22B17	
			Surface structurée Shagreen Oberfläche strukturiert	Surface lisse Gloss Oberfläche glänzend	Surface structurée Shagreen Oberfläche strukturiert	Surface lisse Gloss Oberfläche glänzend	Surface structurée Shagreen Oberfläche strukturiert	Surface lisse Gloss Oberfläche glänzend	Surface structurée Shagreen Oberfläche strukturiert	Surface lisse Gloss Oberfläche glänzend
Code • Code • Code										
brut	mill-finished	blank	307117100	-	-	-	-	-	-	-
blanc	white	weiß	-	307117101	307117201	307119101	307119201	307120101	307120201	
brun	brown	braun	-	307117102	307117202	307119102	307119202	307120102	307120202	
gris	grey	grau	-	307117103	307117203	307119103	307119203	307120103	307120203	
beige	beige	beige	-	307117104	307117204	307119104	307119204	307120104	307120204	
bleu ciel	sky blue	himmelblau	-	-	307117206	-	307119206	-	307120206	
rouge pourpre	purple red	purpurrot	-	-	307117207	-	307119207	-	307120207	
alu argenté	silver	silber	-	307117108	307117208	307119108	307119208	307120108	307120208	
noir	black	schwarz	-	-	307117210	-	307119210	-	307120210	
anthracite	anthracite	anthrazit	-	-	307117213	-	307119213	-	307120213	
vert sapin	green fir	tannengrün	-	-	307117215	-	307119215	-	307120215	
bleu azuré	azure blue	azurblau	-	-	307117216	-	307119216	-	307120216	
jaune	yellow	gelb	-	-	307117220	-	307119220	-	307120220	
crème	cream	cremeweiss	-	-	307117221	-	307119221	-	307120221	
brun foncé	dark brown	dunkelbraun	-	307117122	307117222	307119122	307119222	307120122	307120222	
ivoire claire	light ivory	hellelfenbein	-	-	307117223	-	307119223	-	307120223	
beige foncé	dark beige	dunkelbeige	-	-	307117224	-	307119224	-	307120224	
vert mousse	green moss	moosgrün	-	-	307117225	-	307119225	-	307120225	
bleu foncé	dark blue	dunkelblau	-	-	307117226	-	307119226	-	307120226	
bronze	bronze	bronze	-	-	307117229	-	307119229	-	307120229	
chêne doré	golden oak	goldene Eiche	-	307117119	-	307119119	-	307120119	-	
merisier	black cherry	Kirsche	-	307117149	-	307119149	-	307120149	-	
noyer	nut	Nussbaum	-	307117159	-	307119159	-	307120159	-	

Poids de 1 ml, kg • Weight per 1 m, kg • Gewicht je lfd.m, kg	0,758	0,837	0,859	0,783
Longueur standardisée, m • Standard length, m • Produktionslänge, m	6	6	6	6
Commande standardisée, m • Standard pack, m • Verpackungseinheit, m	36	36	36	36

GR60x21/SE | COULISSES | GUIDE RAILS | FÜHRUNGSSCHIENEN

Extrudée en aluminium, renforcée, compatible avec la lame **AER44/S, AER44m/S**, et les joues latérales **SF125...205a, SF230/S, SF250/Sa, SF45/137...205u, SF45/137...205u-B, SF-R/137...205, SF45/137...205u-M, SF45/137...205u-BM, SF230/S-M, SF250/Sa-M, SF-QR/137...205, SF20/137...205**. Elle convient aussi bien pour les lames **AR/377, AR/39, AR/41, AR/45, AR/40, ARH/37S, ARH/40, AER42**.

Aluminium, extruded, for **AER44/S, AER44m/S** profile and **SF45/137...205u-M, SF45/137...205u-BM, SF230/S-M, SF250/Sa-M, SF125...205a, SF230/S, SF250/Sa, SF45/137...205u, SF45/137...205u-B, SF-R/137...205, SF-QR/137...205, SF20/137...205** end caps. Can be used with **AR/377, AR/39, AR/41, AR/45, AR/40, ARH/37S, ARH/40, AER42** profiles.

Aluminium, stranggepresst, für Profile **AER44/S, AER44m/S** und Blendenkappen **SF45/137...205u-M, SF45/137...205u-BM, SF230/S-M, SF250/Sa-M, SF125...205a, SF230/S, SF250/Sa, SF45/137...205u, SF45/137...205u-B, SF-R/137...205, SF-QR/137...205, SF20/137...205**. Einsatz mit Profilen **AR/377, AR/39, AR/41, AR/45, AR/40, ARH/37S, ARH/40, AER42** möglich.



GR60x21/SE – sans joint / without insert / ohne Einlage

GR60x21/SI – avec joint **IS11** / with **IS11** insert / mit Einlage **IS11**

GR60x21/SE GR60x21/SI

Coloris	Colour	Farbe	Surface structurée	
			Shagreen	Oberfläche strukturiert
			Code • Code • Code	
brut	mill-finished	blank	307147100	–
blanc	white	weiss	–	307148101
brun	brown	braun	–	307148102
gris	grey	grau	–	307148103
beige	beige	beige	–	307148104
alu argenté	silver	silber	–	307148108
brun foncé	dark brown	dunkelbraun	–	307148122
Poids de 1 m, kg				
• Weight per 1 m, kg • Gewicht je lfd.m, kg			0,71	0,762
Longueur standardisée, m				
• Standard length, m • Produktionslänge, m			6	6
Commande standardisée, m				
• Standard pack, m • Verpackungseinheit, m			36	36

GR65x24/eco | COULISSES | GUIDE RAILS | FÜHRUNGSSCHIENEN

En aluminium, extrudée, pour la lame **AR/55m(N)** et les joues latérales **SF45/137...205u-M, SF45/137...205u-BM, SF230/S-M, SF250/Sa-M, SF137a...205a, SF230/S, SF250/Sa, SF45/137...205u, SF45/137...205u-B, SF-R/137...205, SF-QR/137...205, SF20/137...205.**

Aluminium, extruded, for **AR/55m(N)** profile and **SF45/137...205u-M, SF45/137...205u-BM, SF230/S-M, SF250/Sa-M, SF137a...205a, SF230/S, SF250/Sa, SF45/137...205u, SF45/137...205u-B, SF-R/137...205, SF-QR/137...205, SF20/137...205** end caps.

Aluminium, stranggepresst, für Profil **AR/55m(N)** und Blendenkappen **SF45/137...205u-M, SF45/137...205u-BM, SF230/S-M, SF250/Sa-M, SF137a...205a, SF230/S, SF250/Sa, SF45/137...205u, SF45/137...205u-B, SF-R/137...205, SF-QR/137...205, SF20/137...205.**

GR65x24/eco – sans joint / without insert / ohne Einlage

GR65x24I/eco – avec joint **IS11** / with **IS11** insert / mit Einlage **IS11**

GR65x24B/eco – avec brosse **ISE01** / with **ISE01** brush insert / mit Bürsteneinlage **ISE01**

GR65x24/eco



GR65x24B/eco

GR65x24I/eco



GR65x24/eco GR65x24I/eco GR65x24B/eco

Coloris	Colour	Farbe		Surface structurée	Surface structurée
				Shagreen	Shagreen
				Oberfläche	Oberfläche
				strukturiert	strukturiert
				Code • Code • Code	
brut	mill-finished	blank	307136100	–	–
blanc	white	weiss	–	307137101	307138101
brun	brown	braun	–	307137102	307138102
gris	grey	grau	–	307137103	307138103
beige	beige	beige	–	307137104	307138104
alu argenté	silver	silber	–	307137108	307138108
Poids de 1 ml, kg					
• Weight per 1 m, kg • Gewicht je lfd.m, kg			0,465	0,54	0,493
Longueur standardisée, m					
• Standard length, m • Produktionslänge, m			6	6	6
Commande standardisée, m					
• Standard pack, m • Verpackungseinheit, m			36	36	36

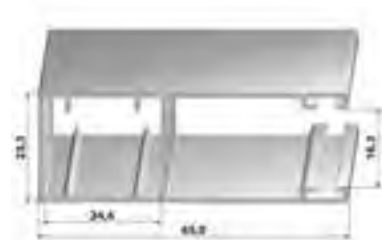
GR65×24E | COULISSES | GUIDE RAILS | FÜHRUNGSSCHIENEN

Extrudée en aluminium, compatible avec les lames **AR/55m**. À utiliser avec les joues latérales **SF45/137...205u, SF45/137...205u-B, SF45/137...205u-M, SF45/137...205u-BM, SF230/S-M, SF250/Sa-M, SF125...205a, SF230/S, SF250/Sa, SF20/137...205, SF-R/137...205, SF-QR/137...205**.

Aluminium, extruded for **AR/55m** profiles. Used with **SF45/137...205u, SF45/137...205u-B, SF45/137...205u-M, SF45/137...205u-BM, SF230/S-M, SF250/Sa-M, SF125...205a, SF230/S, SF250/Sa, SF20/137...205, SF-R/137...205, SF-QR/137...205** end caps.

Aluminium, stranggepresst, für Profile **AR/55m**. Wird zusammen mit den Blendenkapfen **SF45/137...205u, SF45/137...205u-B, SF45/137...205u-M, SF45/137...205u-BM, SF230/S-M, SF250/Sa-M, SF125...205a, SF230/S, SF250/Sa, SF20/137...205, SF-R/137...205, SF-QR/137...205** verwendet.

GR65×24E



GR65×24BE



GR65×24IE



GR65×24E — sans joint / without insert / ohne Einlage

GR65×24IE — joint **IS11** serti / with **IS11** insert / mit Einlage **IS11**

GR65×24BE — joint-brosse **ISE01** serti / with **ISE01** brush insert / mit Bürsteneinlage **ISE01**

GR65×24E

GR65×24BE

GR65×24IE

Coloris	Colour	Farbe	GR65×24E		GR65×24BE		GR65×24IE	
			Surface structurée Shagreen Oberfläche strukturiert	Surface lisse Gloss Oberfläche glänzend	Surface structurée Shagreen Oberfläche strukturiert	Surface lisse Gloss Oberfläche glänzend	Surface structurée Shagreen Oberfläche strukturiert	Surface lisse Gloss Oberfläche glänzend
			Code • Code • Code					
brut	mill-finished	blank	307055100	-	-	-	-	-
blanc	white	weiß	-	307063101	307063201	307062101	307062201	
brun	brown	braun	-	307063102	307063202	307062102	307062202	
gris	grey	grau	-	307063103	307063203	307062103	307062203	
beige	beige	beige	-	307063104	307063204	307062104	307062204	
bleu ciel	sky blue	himmelblau	-	-	307063206	-	307062206	
rouge pourpre	purple red	purpurrot	-	-	307063207	-	307062207	
alu argenté	silver	silber	-	307063108	307063208	307056108	307062208	
noir	black	schwarz	-	-	307063210	-	307062210	
anthracite	anthracite	anthrazit	-	-	307063213	-	307062213	
vert sapin	green fir	tannengrün	-	-	307063215	-	307062215	
bleu azuré	azure blue	azurblau	-	-	307063216	-	307062216	
jaune	yellow	gelb	-	-	307063220	-	307062220	
crème	cream	cremeweiss	-	-	307063221	-	307062221	
brun foncé	dark brown	dunkelbraun	-	307063122	307063222	307056122	307062222	
ivoire claire	light ivory	hell elfenbein	-	-	307063223	-	307062223	
beige foncé	dark beige	dunkelbeige	-	-	307063224	-	307062224	
vert mousse	green moss	moosgrün	-	-	307063225	-	307062225	
bleu foncé	dark blue	dunkelblau	-	-	307063226	-	307062226	
bronze	bronze	bronze	-	-	307063229	-	307062229	
chêne doré	golden oak	goldene Eiche	-	307063119	-	307062119	-	
chêne irlandais	irish oak	Eiche hell	-	307063139	-	307062139	-	
merisier	black cherry	Kirsche	-	307063149	-	307062149	-	
noyer	nut	Nussbaum	-	307063159	-	307062159	-	
Poids de 1 ml, kg • Weight per 1 m, kg • Gewicht je lfd.m, kg			0,61	0,664		0,711		
Longueur standardisée, m • Standard length, m • Produktionslänge, m			6	6		6		
Commande standardisée, m • Standard pack, m • Verpackungseinheit, m			36	36		36		

GRM66x27E | COULISSES | GUIDE RAILS | FÜHRUNGSSCHIENEN

Fabriqué en aluminium extrudé, pour les lames **AR/52, AR/55, ARH/55, AER55/S, AER55m/S, AR/555, AEG56, AEG56/P, AER56, AEG30/S** et les joues latérales **SF45/137...205u, SF45/137...205u-B, SF45/137...205u-M, SF45/137...205u-BM, SF230/S-M, SF250/Sa-M, SF125...205a, SF230/S, SF250/Sa, SF20/137...205, SF-R/137...205, SF-QR/137...205**

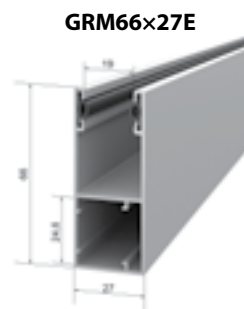
Aluminium, extruded, for **AR/52, AR/55, ARH/55, AER55/S, AER55m/S, AR/555, AEG56, AEG56/P, AER56, AEG30/S** profiles and **SF45/137...205u, SF45/137...205u-B, SF45/137...205u-M, SF45/137...205u-BM, SF230/S-M, SF250/Sa-M, SF125...205a, SF230/S, SF250/Sa, SF20/137...205, SF-R/137...205, SF-QR/137...205** end caps

Aluminium, stranggepresst, für Profile **AR/52, AR/55, ARH/55, AER55/S, AER55m/S, AR/555, AEG56, AEG56/P, AER56, AEG30/S** und Blendenkappen **SF45/137...205u, SF45/137...205u-B, SF45/137...205u-M, SF45/137...205u-BM, SF230/S-M, SF250/Sa-M, SF125...205a, SF230/S, SF250/Sa, SF20/137...205, SF-R/137...205, SF-QR/137...205**

GRM66x27E — sans joint / without insert / ohne Einlage

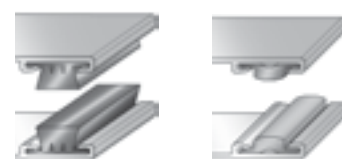
GRM66x27IE — joint **IS13** serti / with **IS13** insert / mit Einlage **IS13**

GRM66x27BE — joint-brosse **ISE19** serti / with **ISE19** brush insert / mit Bürsteneinlage **ISE19**



GRM66x27BE

GRM66x27IE



Coloris	Colour	Farbe	GRM66x27E	GRM66x27BE	GRM66x27IE	GRM66x27IE	GRM66x27IE
			Surface structurée Shagreen Oberfläche strukturiert	Surface structurée Shagreen Oberfläche strukturiert	Surface lisse Gloss Oberfläche glänzend	Surface structurée Shagreen Oberfläche strukturiert	Surface lisse Gloss Oberfläche glänzend
			Code • Code • Code				
brut	mill-finished	blank	1051080	-	-	-	-
blanc	white	weiß	-	307023101	307023201	307024101	307024201
brun	brown	braun	-	307023102	307023202	307024102	307024202
gris	grey	grau	-	307023103	307023203	307024103	307024203
beige	beige	beige	-	307023104	307023204	307024104	307024204
bleu ciel	sky blue	himmelblau	-	-	307023206	-	307024206
rouge pourpre	purple red	purpurrot	-	-	307023207	-	307024207
alu argenté	silver	silber	-	307023108	307023208	307024108	307024208
noir	black	schwarz	-	-	307023210	-	307024210
anthracite	anthracite	anthrazit	-	-	307023213	-	307024213
vert sapin	green fir	tannengrün	-	-	307023215	-	307024215
bleu azuré	azure blue	azurblau	-	-	307023216	-	307024216
jaune	yellow	gelb	-	-	307023220	-	307024220
crème	cream	cremeweiss	-	-	307023221	-	307024221
brun foncé	dark brown	dunkelbraun	-	307023122	307023222	307024122	307024222
ivoire claire	light ivory	hell elfenbein	-	-	307023223	-	307024223
beige foncé	dark beige	dunkelbeige	-	-	307023224	-	307024224
vert mousse	green moss	moosgrün	-	-	307023225	-	307024225
bleu foncé	dark blue	dunkelblau	-	-	307023226	-	307024226
bronze	bronze	bronze	-	-	307023229	-	307024229
chêne doré	golden oak	goldene Eiche	-	307023119	-	307024119	-
chêne irlandais	irish oak	Eiche hell	-	307023139	-	307024139	-
merisier	black cherry	Kirsche	-	307023149	-	307024149	-
noyer	nut	Nussbaum	-	307023159	-	307024159	-
Poids de 1 ml, kg • Weight per 1 m, kg • Gewicht je lfd.m, kg			0,769	0,798	0,869	0,869	
Longueur standardisée, m			6	6	6	6	
• Standard length, m • Produktionslänge, m							
Commande standardisée, m			36	36	36	36	
• Standard pack, m • Verpackungseinheit, m							

Plaxage par le film Renolit • Lamination by Renolit film • Kaschierung mit Renolit-Folie

Coloris	Colour	Farbe	GRM66x27IE	GRM66x27BE
			Code • Code • Code	
chêne doré Renolit	golden oak Renolit	goldene Eiche Renolit	307021419	307023419
noyer Renolit	nut Renolit	Nussbaum Renolit	307021459	307023459



GRM66x27IE

Schema d'application

Application scheme

Schema der Auftragung

GR75x27E | COULISSES | GUIDE RAILS | FÜHRUNGSSCHIENEN

Fabriqué en aluminium extrudé, pour les lames **AR/52, AR/55, ARH/55, AER55/S, AER55m/S, AR/555, AEG56, AEG56/P, AER56, AEG30/S** et les joues latérales **SF230, SF250a, SF300a, SF360/S**

Aluminium, extruded, for **AR/52, AR/55, ARH/55, AER55/S, AER55m/S, AR/555, AEG56, AEG56/P, AER56, AEG30/S** profiles and **SF230, SF250a, SF300a, SF360/S** end caps

Aluminium, strangepresst, für Profile **AR/52, AR/55, ARH/55, AER55/S, AER55m/S, AR/555, AEG56, AEG56/P, AER56, AEG30/S** und Blendenkappen **SF230, SF250a, SF300a, SF360/S**

GR75x27E — sans joint / without insert / ohne Einlage

GR75x27IE — joint **IS13** serti / with **IS13** insert / mit Einlage **IS13**

GR75x27BE — joint-brosse **ISE19** serti / with **ISE19** brush insert / mit Bürsteneinlage **ISE19**

GR75x27E



GR75x27BE



GR75x27IE



GR75x27E

GR75x27BE

GR75x27IE

Coloris	Colour	Farbe		Surface structurée	Surface lisse	Surface structurée	Surface lisse
				Shagreen	Gloss	Shagreen	Gloss
				Oberfläche strukturiert	Oberfläche glänzend	Oberfläche strukturiert	Oberfläche glänzend
Code • Code • Code							
brut	mill-finished	blank	1051060	–	–	–	–
blanc	white	weiß	–	307026101	307026201	307027101	307027201
brun	brown	braun	–	307026102	307026202	307027102	307027202
gris	grey	grau	–	307026103	307026203	307027103	307027203
beige	beige	beige	–	307026104	307026204	307027104	307027204
bleu ciel	sky blue	himmelblau	–	–	307026206	–	307027206
rouge pourpre	purple red	purpurrot	–	–	307026207	–	307027207
alu argenté	silver	silber	–	307026108	307026208	307027108	307027208
noir	black	schwarz	–	–	307026210	–	307027210
anthracite	anthracite	anthrazit	–	–	307026213	–	307027213
vert sapin	green fir	tannengrün	–	–	307026215	–	307027215
bleu azuré	azure blue	azurblau	–	–	307026216	–	307027216
jaune	yellow	gelb	–	–	307026220	–	307027220
crème	cream	cremeweiss	–	–	307026221	–	307027221
brun foncé	dark brown	dunkelbraun	–	307026122	307026222	307027122	307027222
ivoire claire	light ivory	hell elfenbein	–	–	307026223	–	307027223
beige foncé	dark beige	dunkelbeige	–	–	307026224	–	307027224
vert mousse	green moss	moosgrün	–	–	307026225	–	307027225
bleu foncé	dark blue	dunkelblau	–	–	307026226	–	307027226
bronze	bronze	bronze	–	–	307026229	–	307027229
chêne doré	golden oak	goldene Eiche	–	307026119	–	307027119	–
chêne irlandais	irish oak	Eiche hell	–	307026139	–	307027139	–
merisier	black cherry	Kirsche	–	307026149	–	307027149	–
noyer	nut	Nussbaum	–	307026159	–	307027159	–
Poids de 1 m, kg • Weight per 1 m, kg • Gewicht je lfd.m, kg			0,888	0,917		0,988	
Longueur standardisée, m			6	6		6	
• Standard length, m • Produktionslänge, m							
Commande standardisée, m			36	36		36	
• Standard pack, m • Verpackungseinheit, m							

GR75×27/SE | COULISSES | GUIDE RAILS | FÜHRUNGSSCHIENEN

Extrudée en aluminium, renforcée, compatible avec la lame **AER55/S, AER55m/S** et les joues latérales **SF230, SF250a, SF300a, SF360, SF360/C, SF405/C**. Elle convient aussi bien pour les lames **AR/52, AR/55, AR/555, ARH/55, AEG56, AEG56/P, AEG30/S, AER56**.

Aluminium, extruded, for **AER55/S, AER55m/S** profile and **SF230, SF250a, SF300a, SF360, SF360/C, SF405/C** end caps. Can be used with **AR/52, AR/55, AR/555, ARH/55, AEG56, AEG56/P, AEG30/S, AER56** profiles.

Aluminium, stranggepresst, für Profile **AER55/S, AER55m/S** und Blendenkappen **SF230, SF250a, SF300a, SF360, SF360/C, SF405/C**. Einsatz mit Profilen **AR/52, AR/55, AR/555, ARH/55, AEG56, AEG56/P, AEG30/S, AER56** möglich.

GR75×27/SE – sans joint / without insert / ohne Einlage

GR75×27/SI – avec joint **IS13** / with **IS13** insert / mit Einlage **IS13**


GR75×27/SE GR75×27/SI

Coloris	Colour	Farbe	Surface structurée Shagreen Oberfläche strukturiert	
			Code	Code
brut	mill-finished	blank	307149100	–
blanc	white	weiss	–	307150101
brun	brown	braun	–	307150102
gris	grey	grau	–	307150103
beige	beige	beige	–	307150104
alu argenté	silver	silber	–	307150108
brun foncé	dark brown	dunkelbraun	–	307150122
Poids de 1 m, kg • Weight per 1 m, kg • Gewicht je lfd.m, kg			1,199	1,286
Longueur standardisée, m • Standard length, m • Produktionslänge, m			6	6
Commande standardisée, m • Standard pack, m • Verpackungseinheit, m			24	24

GR70x34E | COULISSES | GUIDE RAILS | FÜHRUNGSSCHIENEN

Extrudée en aluminium, compatible avec les lames **AG/77, AG/77H, EV/77W, EA/77, AEG84, AER84, AEG45/S** et les joues latérales **SF230, SF250a, SF300a, SF360/S**

Aluminium, extruded, for **AG/77, AG/77H, EV/77W, EA/77, AEG84, AER84, AEG45/S** profiles and **SF230, SF250a, SF300a, SF360/S** end caps

Aluminium, stranggepresst, für Profile **AG/77, AG/77H, EV/77W, EA/77, AEG84, AER84, AEG45/S** und Blendenkappen **SF230, SF250a, SF300a, SF360/S**

GR70x34E — sans joint / without insert / ohne Einlage

GR70x34BE — joint **ISE19** serti / with **ISE19** insert / mit Einlage **ISE19**

GR70x34IE — joint **IS13** serti / with **IS13** insert / mit Einlage **IS13**



GR70x34BE



GR70x34IE



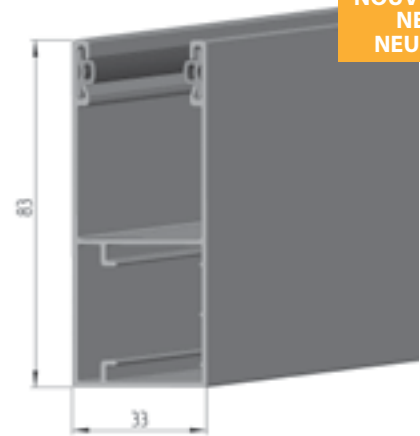
Coloris	Colour	Farbe	GR70x34E	GR70x34BE	GR70x34IE		
			Surface structurée Shagreen Oberfläche strukturiert	Surface lisse Gloss Oberfläche glänzend	Surface structurée Shagreen Oberfläche strukturiert	Surface lisse Gloss Oberfläche glänzend	
			Code • Code • Code				
brut	mill-finished	blank	307028100	-	-	-	-
blanc	white	weiß	-	307030101	307030201	307029101	307029201
brun	brown	braun	-	307030102	307030202	307029102	307029202
gris	grey	grau	-	307030103	307030203	307029103	307029203
beige	beige	beige	-	307030104	307030204	307029104	307029204
bleu ciel	sky blue	himmelblau	-	-	307030206	-	307029206
rouge pourpre	purple red	purpurrot	-	-	307030207	-	307029207
alu argenté	silver	silber	-	307030108	307030208	307029108	307029208
noir	black	schwarz	-	-	307030210	-	307029210
anthracite	anthracite	anthrazit	-	-	307030213	-	307029213
vert sapin	green fir	tannengrün	-	-	307030215	-	307029215
bleu azuré	azure blue	azurblau	-	-	307030216	-	307029216
jaune	yellow	gelb	-	-	307030220	-	307029220
crème	cream	cremeweiss	-	-	307030221	-	307029221
brun foncé	dark brown	dunkelbraun	-	307030122	307030222	307029122	307029222
ivoire claire	light ivory	hell elfenbein	-	-	307030223	-	307029223
beige foncé	dark beige	dunkelbeige	-	-	307030224	-	307029224
vert mousse	green moss	moosgrün	-	-	307030225	-	307029225
bleu foncé	dark blue	dunkelblau	-	-	307030226	-	307029226
bronze	bronze	bronze	-	-	307030229	-	307029229
chêne doré	golden oak	goldene Eiche	-	307030119	-	307029119	-
chêne irlandais	irish oak	Eiche hell	-	307030139	-	307029139	-
merisier	black cherry	Kirsche	-	307030149	-	307029149	-
noyer	nut	Nussbaum	-	307030159	-	307029159	-
Poids de 1 m, kg • Weight per 1 m, kg • Gewicht je lfd.m, kg			1,320	1,420	1,420	1,420	1,420
Longueur standardisée, m • Standard length, m • Produktionslänge, m			6	6	6	6	6
Commande standardisée, m • Standard pack, m • Verpackungseinheit, m			36	36	36	36	36

GR83x33/eco | COULISSES | GUIDE RAILS | FÜHRUNGSSCHIENEN

En aluminium, compatible avec les lames **AG/77, AG/77H, EV/77W, EA/77, AEG84, AER84, AEG45/S** et les joues latérales **SF230, SF250a, SF300a, SF360, SF360/C, SF405/C** à utiliser avec le joint **IS13**.

Aluminium, extruded, for **AG/77, AG/77H, EV/77W, EA/77, AEG84, AER84, AEG45/S** profiles and **SF230, SF250a, SF300a, SF360, SF360/C, SF405/C** end caps, with **IS13** insert.

Aluminium, strangepresst, für Profile **AG/77, AG/77H, EV/77W, EA/77, AEG84, AER84, AEG45/S** und Blendenkappen **SF230, SF250a, SF300a, SF360, SF360/C, SF405/C** mit Einlage **IS13**.



			GR83x33/eco	GR83x33I/eco
Coloris	Colour	Farbe	Code • Code • Code	
brut	mill-finished	blank	307157100	-
blanc	white	weiß	-	307157101
brun	brown	braun	-	307157102
gris	grey	grau	-	307157103
beige	beige	beige	-	307157104
alu argenté	silver	silber	-	307157108
brun foncé	dark brown	dunkelbraun	-	307157122
Poids de 1 ml, kg • Weight per 1 m, kg • Gewicht je lfd.m, kg			1,033	
Longueur standardisée, m			6	
• Standard length, m • Produktionslänge, m				
Commande standardisée, m			24	
• Standard pack, m • Verpackungseinheit, m				

GR90×33(I) | COULISSES | GUIDE RAILS | FÜHRUNGSSCHIENEN

En aluminium, compatible avec les lames **AG/77, AG/77H, EV/77W, EA/77, AEG84, AER84, AEG45/S** et les joues latérales **SF230, SF250a, SF300a, SF360, SF360/C, SF405/C** à utiliser avec le joint **IS13**.

Aluminium, extruded, for **AG/77, AG/77H, EV/77W, EA/77, AEG84, AER84, AEG45/S** profiles and **SF230, SF250a, SF300a, SF360, SF360/C, SF405/C** end caps, with **IS13** insert.

Aluminium, strangepresst, für Profile **AG/77, AG/77H, EV/77W, EA/77, AEG84, AER84, AEG45/S** und Blendenkappen **SF230, SF250a, SF300a, SF360, SF360/C, SF405/C** mit Einlage **IS13**.

GR90×33(I)



GR90×33 GR90×33I

Coloris	Colour	Farbe	GR90×33I	
			Code	Code
brut	mill-finished	blank	307121100	
blanc	white	weiß		307122101
brun	brown	braun		307122102
gris	grey	grau		307122103
beige	beige	beige		307122104
alu argenté	silver	silber		307122108
brun foncé	dark brown	dunkelbraun		307122122
Poids de 1 ml, kg				
• Weight per 1 m, kg • Gewicht je lfd.m, kg			1,236	
Longueur standardisée, m				
• Standard length, m • Produktionslänge, m			6	
Commande standardisée, m				
• Standard pack, m • Verpackungseinheit, m			24	

GR90x34E | COULISSES | GUIDE RAILS | FÜHRUNGSSCHIENEN

Extrudée en aluminium, compatible avec les lames **AG/77, AG/77H, EV/77W, EA/77, AEG84, AER84, AEG45/S** et les joues latérales **SF230, SF250a, SF300a, SF360/S**

Aluminium, extruded, for **AG/77, AG/77H, EV/77W, EA/77, AEG84, AER84, AEG45/S** profiles and **SF230, SF250a, SF300a, SF360/S** end caps

Aluminium, stranggepresst, für Profile **AG/77, AG/77H, EV/77W, EA/77, AEG84, AER84, AEG45/S** und Blendenkappen **SF230, SF250a, SF300a, SF360/S**

GR90x34E — sans joint / without insert / ohne Einlage

GR90x34BE — joint **IS13** et joint-brosse **ISE03** serti / with **IS13** insert and **ISE03** brush insert / mit Einlage **IS13** und Bürsteneinlage **ISE03**

GR90x34IE — joint **IS13** et joint-brosse **ISE01** serti / with **IS13** insert and **ISE01** brush insert / mit Einlage **IS13** und Bürsteneinlage **ISE01**

GR90x34BE7 — avec joints brosses **ISE01** et **ISE19** / with **ISE01** and **ISE19** brush inserts / mit Bürsteneinlagen **ISE01** und **ISE19**



Coloris	Colour	Farbe	GR90x34E	GR90x34BE	GR90x34IE	GR90x34BE7
				Surface structurée Shagreen Oberfläche strukturiert	Surface lisse Gloss Oberfläche glänzend	Surface structurée Shagreen Oberfläche strukturiert
Code • Code • Code						
brut	mill-finished	blank	1051090	–	–	–
blanc	white	weiß	–	307033101	307032201	307035101 307034201 307075101 307075201
brun	brown	braun	–	307033102	307032202	307035102 307034202 307075102 307075202
gris	grey	grau	–	307033103	307032203	307035103 307034203 307075103 307075203
beige	beige	beige	–	307033104	307032204	307035104 307034204 307075104 307075204
bleu ciel	sky blue	himmelblau	–	–	307032206	– 307034206 – 307075206
rouge pourpre	purple red	purpurrot	–	–	307032207	– 307034207 – 307075207
alu argenté	silver	silber	–	307033108	307032208	307035108 307034208 307075108 307075208
noir	black	schwarz	–	–	307032210	– 307034210 – 307075210
anthracite	anthracite	anthrazit	–	–	307032213	– 307034213 – 307075213
vert sapin	green fir	tannengrün	–	–	307032215	– 307034215 – 307075215
bleu azuré	azure blue	azurblau	–	–	307032216	– 307034216 – 307075216
jaune	yellow	gelb	–	–	307032220	– 307034220 – 307075220
crème	cream	cremeweiss	–	–	307032221	– 307034221 – 307075221
brun foncé	dark brown	dunkelbraun	–	307033122	307032222	307035122 307034222 307075122 307075222
ivoire claire	light ivory	hell elfenbein	–	–	307032223	– 307034223 – 307075223
beige foncé	dark beige	dunkelbeige	–	–	307032224	– 307034224 – 307075224
vert mousse	green moss	moosgrün	–	–	307032225	– 307034225 – 307075225
bleu foncé	dark blue	dunkelblau	–	–	307032226	– 307034226 – 307075226
bronze	bronze	bronze	–	–	307032229	– 307034229 – 307075229
chêne doré	golden oak	goldene Eiche	–	307032119	–	307035119 – 307075119 –
chêne irlandais	irish oak	Eiche hell	–	307032139	–	307034139 – 307075139 –
merisier	black cherry	Kirsche	–	307032149	–	307035149 – 307075149 –
noyer	nut	Nussbaum	–	307032159	–	307035159 – 307075159 –
Poids de 1 m, kg • Weight per 1 m, kg • Gewicht je lfd.m, kg			1,750	1,898	1,903	1,818
Longueur standardisée, m • Standard length, m • Produktionslänge, m			6	6	6	6
Commande standardisée, m • Standard pack, m • Verpackungseinheit, m			24	24	24	24

GR100x35 | COULISSES | GUIDE RAILS | FÜHRUNGSSCHIENEN

Extrudée en aluminium, compatible avec les lames **AG/77, AG/77H, EV/77W, EA/77** et les joues latérales **SF230, SF250a, SF300a, SF360/S, SF360/C, SF405/C**

Aluminium, extruded, for **AG/77, AG/77H, EV/77W, EA/77** profiles and **SF230, SF250a, SF300a, SF360/S, SF360/C, SF405/C** end caps

Aluminium, stranggepresst, für Profile **AG/77, AG/77H, EV/77W, EA/77** und Blendenkappen **SF230, SF250a, SF300a, SF360/S, SF360/C, SF405/C**

GR100x35 — sans joint / without insert / ohne Einlage

GR100x35IE — joint **IS13** serti / with **IS13** insert / mit Einlage **IS13**

joint-brosse **ISE01** serti / with **ISE01** brush insert / mit Bürsteneinlage **ISE01**

GR100x35IE



GR100x35

GR100x35IE

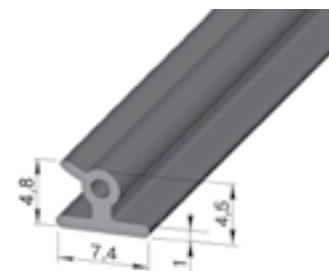
Coloris	Colour	Farbe	GR100x35		
			Code	Code	Code
brut	mill-finished	blank	307107100	-	-
blanc	white	weiß	-	307107101	307107201
brun	brown	braun	-	307107102	307107202
gris	grey	grau	-	307107103	307107203
beige	beige	beige	-	307107104	307107204
bleu ciel	sky blue	himmelblau	-	-	307107206
rouge pourpre	purple red	purpurrot	-	-	307107207
alu argenté	silver	silber	-	307107108	307107208
noir	black	schwarz	-	-	307107210
anthracite	anthracite	anthrazit	-	-	307107213
vert sapin	green fir	tannengrün	-	-	307107215
bleu azuré	azure blue	azurblau	-	-	307107216
jaune	yellow	gelb	-	-	307107220
crème	cream	cremeweiss	-	-	307107221
brun foncé	dark brown	dunkelbraun	-	307107122	307107222
ivoire claire	light ivory	hell elfenbein	-	-	307107223
beige foncé	dark beige	dunkelbeige	-	-	307107224
vert mousse	green moss	moosgrün	-	-	307107225
bleu foncé	dark blue	dunkelblau	-	-	307107226
bronze	bronze	bronze	-	-	307107229
chêne doré	golden oak	goldene Eiche	-	-	-
merisier	black cherry	Kirsche	-	-	-
noyer	nut	Nussbaum	-	-	-
Poids de 1 ml, kg • Weight per 1 m, kg • Gewicht je lfd.m, kg			2,314	2,467	
Longueur standardisée, m			6	6	
• Standard length, m • Produktionslänge, m			6	6	
Commande standardisée, m			24	24	
• Standard pack, m • Verpackungseinheit, m			24	24	

IS11 | JOINT | INSERT | EINLAGE

Pour les coulisses **GR53×22E, GR53×60E, GR79×22E, GR53×42E, GR53×34E, GR45×60E, GR45×22E, GR45×22/eco, GR53×22/eco, GR45×34E, GR53×39E, GR83×22E, GR60×21/SE, GR65×24/eco, GR65×24E**

For guide rails **GR53×22E, GR53×60E, GR79×22E, GR53×42E, GR53×34E, GR45×60E, GR45×22E, GR45×22/eco, GR53×22/eco, GR45×34E, GR53×39E, GR83×22E, GR60×21/SE, GR65×24/eco, GR65×24E**

Für Führungsschienen **GR53×22E, GR53×60E, GR79×22E, GR53×42E, GR53×34E, GR45×60E, GR45×22E, GR45×22/eco, GR53×22/eco, GR45×34E, GR53×39E, GR83×22E, GR60×21/SE, GR65×24/eco, GR65×24E**



Référence • Article • Artikel	Code • Code • Code
IS11	1112506

Commande standardisée, m / Standard pack, m / Verpackungseinheit, m 350

IS13 | JOINT | INSERT | EINLAGE

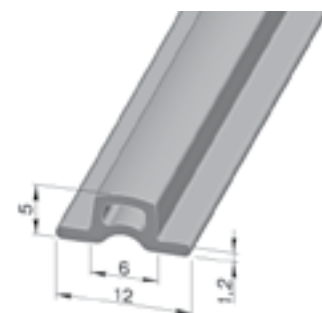
Pour la coulisse **GRM66×27E, GR75×27E, GR75×27/SE, GR70×34E, GR83×33/eco, GR90×33(I), GR90×34E, GR100×35**

For guide rail **GRM66×27E, GR75×27E, GR75×27/SE, GR70×34E, GR83×33/eco, GR90×33(I), GR90×34E, GR100×35**

Für Führungsschiene **GRM66×27E, GR75×27E, GR75×27/SE, GR70×34E, GR83×33/eco, GR90×33(I), GR90×34E, GR100×35**

Référence • Article • Artikel	Code • Code • Code
IS13	1112508

Commande standardisée, m / Standard pack, m / Verpackungseinheit, m 150

**IS24 | JOINT | INSERT | EINLAGE**

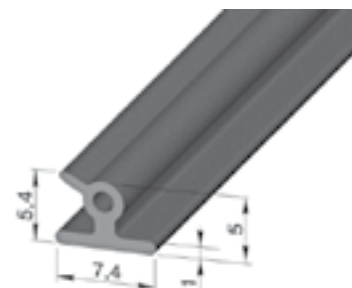
Pour les coulisses **GR53×22E, GR53×60E, GR79×22E, GR53×42E, GR53×34E, GR45×60E, GR45×22E, GR45×22/eco, GR53×22/eco**

For guide rails **GR53×22E, GR53×60E, GR79×22E, GR53×42E, GR53×34E, GR45×60E, GR45×22E, GR45×22/eco, GR53×22/eco**

Für Führungsschienen **GR53×22E, GR53×60E, GR79×22E, GR53×42E, GR53×34E, GR45×60E, GR45×22E, GR45×22/eco, GR53×22/eco**

Référence • Article • Artikel	Code • Code • Code
IS24	313036000

Commande standardisée, m / Standard pack, m / Verpackungseinheit, m 300



ISE01 | Brosse | BRUSH INSERT | BÜRSTENEINLAGE

Pour les coulisses **GR53×22E, GR53×60E, GR79×22E, GR53×42E, GR53×34E, GR45×60E, GR45×22E, GR90×34E, GR45×22/eco, GR53×22/eco, GR100×35, GR45×34E, GR53×39E, GR83×22E**

For guide rails **GR53×22E, GR53×60E, GR79×22E, GR53×42E, GR53×34E, GR45×60E, GR45×22E, GR90×34E, GR45×22/eco, GR53×22/eco, GR100×35, GR45×34E, GR53×39E, GR83×22E**

Für Führungsschienen **GR53×22E, GR53×60E, GR79×22E, GR53×42E, GR53×34E, GR45×60E, GR45×22E, GR90×34E, GR45×22/eco, GR53×22/eco, GR100×35, GR45×34E, GR53×39E, GR83×22E**



Référence • Article • Artikel	Code • Code • Code
ISE01	1112511

Commande standardisée, m / Standard pack, m / Verpackungseinheit, m 360

ISE17 | Brosse | BRUSH INSERT | BÜRSTENEINLAGE

Pour les coulisses **GR53×22E, GR53×22E/eco, GR45×22E, GR45×22E/eco, GR53×60E, GR45×60E, GR53×34E, GR53×42E, GR79×22E, GR45×34E, GR53×39E**

For guide rails **GR53×22E, GR53×22E/eco, GR45×22E, GR45×22E/eco, GR53×60E, GR45×60E, GR53×34E, GR53×42E, GR79×22E, GR45×34E, GR53×39E**

Für Führungsschienen **GR53×22E, GR53×22E/eco, GR45×22E, GR45×22E/eco, GR53×60E, GR45×60E, GR53×34E, GR53×42E, GR79×22E, GR45×34E, GR53×39E**



Référence • Article • Artikel	Code • Code • Code
ISE17	313035000

Commande standardisée, m / Standard pack, m / Verpackungseinheit, m 325

ISE03 | Brosse | BRUSH INSERT | BÜRSTENEINLAGE

Pour les coulisse **GR90×34E**

For guide rail **GR90×34E**

Für Führungsschiene **GR90×34E**



Référence • Article • Artikel	Code • Code • Code
ISE03	313014000

Commande standardisée, m / Standard pack, m / Verpackungseinheit, m 360

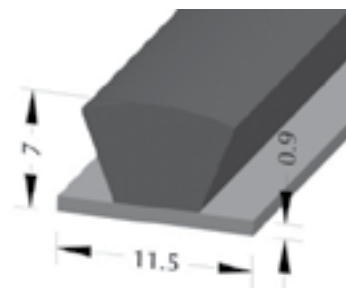
ISE19 | BROSSE | BRUSH INSERT | BÜRSTENEINLAGE

Pour les coulisses **GRM66×27E, GR70×34E, GR75×27E, GR90×34BE7, GR75×27/SE, GR90×34BE7**

For **GRM66×27E, GR70×34E, GR75×27E, GR90×34BE7, GR75×27/SE, GR90×34BE7** guide rails

Für Führungsschienen **GRM66×27E, GR70×34E, GR75×27E, GR90×34BE7, GR75×27/SE, GR90×34BE7**

Référence • Article • Artikel	Code • Code • Code
ISE19	313077000



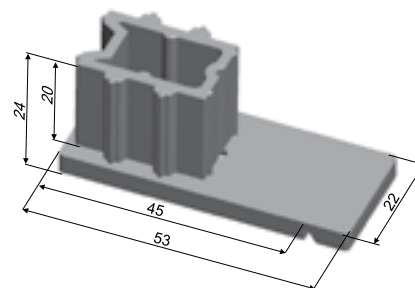
Commande standardisée, m / Standard pack, m / Verpackungseinheit, m 300

GRP53 | EMBOUT POUR COULISSE | GUIDE RAIL END PIECE | FÜHRUNGSSCHIENENABSCHLUSS

Pour les coulisses **GR45×22E, GR45×34E, GR45×60E, GR53×22E, GR53×34E, GR53×39E, GR53×42E, GR53×60E, GR45×22/eco, GR53×22/eco**

For **GR45×22E, GR45×34E, GR45×60E, GR53×22E, GR53×34E, GR53×39E, GR53×42E, GR53×60E, GR45×22/eco, GR53×22/eco** guide rails

Für Führungsschienen **GR45×22E, GR45×34E, GR45×60E, GR53×22E, GR53×34E, GR53×39E, GR53×42E, GR53×60E, GR45×22/eco, GR53×22/eco**



Coloris	Colour	Farbe	Code • Code • Code
blanc	white	weiß	313001101
brun	brown	braun	313001102
gris	grey	grau	313001103
beige	beige	beige	313001104
bleu ciel	sky blue	himmelblau	313001106
rouge pourpre	purple red	purpurrot	313001107
alu argenté	silver	silber	313001108
noir	black	schwarz	313001110
anthracite	anthracite	anthrazit	313001113
vert sapin	fir green	tannengrün	313001115
bleu azuré	azure blue	azurblau	313001116
jaune	yellow	gelb	313001120
crème	cream	cremeweiss	313001121
brun foncé	dark brown	dunkelbraun	313001122
ivoire claire	light ivory	hellelfenbein	313001123
beige foncé	dark beige	dunkelbeige	313001124
vert mousse	moss green	moosgrün	313001125
bleu foncé	dark blue	dunkelblau	313001126
bronze	bronze	bronze	313001129

Commande standardisée, paire / Standard pack, pair / Verpackungseinheit, Paar 50,0

CLIP ARRONDI | HALF-ROUND PLUG | RUNDVORSATZPROFIL

GRC53 | CLIP ARRONDI | HALF-ROUND PLUG | RUNDVORSATZPROFIL

Coloris	Colour	Farbe	Surface structurée	Surface lisse
			Shagreen	Gloss
			Oberfläche strukturiert	Oberfläche glänzend
Code • Code • Code				
brut	mill-finished	blank	307109100	
blanc	white	weiß	307109101	307109201
brun	brown	braun	307109102	307109202
gris	grey	grau	307109103	307109203
beige	beige	beige	307109104	307109204
bleu ciel	sky blue	himmelblau	-	307109206
rouge pourpre	purple red	purpurrot	-	307109207
alu argenté	silver	silber	307109108	307109208
noir	black	schwarz	-	307109210
anthracite	anthracite	anthrazit	-	307109213
vert sapin	green fir	tannengrün	-	307109215
bleu azuré	azure blue	azurblau	-	307109216
jaune	yellow	gelb	307109120	-
crème	cream	cremeweiss	-	307109221
brun foncé	dark brown	dunkelbraun	-	307109222
ivoire claire	light ivory	hellelfenbein	307109123	307109223
beige foncé	dark beige	dunkelbeige	-	307109224
vert mousse	green moss	moosgrün	-	307109225
bleu foncé	dark blue	dunkelblau	-	307109226
bronze	bronze	bronze	-	307109229
chêne doré	golden oak	goldene Eiche	307109119	-
merisier	black cherry	Kirsche	307109149	-
noyer	nut	Nussbaum	307109159	-
Poids de 1 ml, kg • Weight per 1 m, kg • Gewicht je lfd.m, kg			0,255	
Longueur standardisée, m • Standard length, m • Produktionslänge, m			6	
Commande standardisée, m • Standard pack, m • Verpackungseinheit, m			30	



Extrudé en aluminium, compatible avec les coulisses **GR53x22/eco**, **GR53x22E**, **GR53x60E**, **GR53x34E**, **GR53x39E**, **GR53x42E**, à être utilisé avec les embouts pour coulisse **GRC53T** (supérieur), **GRC53B** (inférieur)

Aluminium, extruded, for **GR53x22/eco**, **GR53x22E**, **GR53x60E**, **GR53x34E**, **GR53x39E**, **GR53x42E**, guide rails, to be used with **GRC53T** (top), **GRC53B** (bottom) guide plugs

Aluminium, stranggepresst. Für Führungsschienen **GR53x22/eco**, **GR53x22E**, **GR53x60E**, **GR53x34E**, **GR53x39E**, **GR53x42E**. Set mit Führungsschienenabschlüssen **GRC53T** (oben) und **GRC53B** (unten).

GRX53 | CLIP PLASTIQUE | CLAMP | KLAMMER

Fabriqué en polyamide. Compatible avec les coulisses **GR53x22/eco**, **GR53x22E**, **GR53x60E**, **GR53x34E**, **GR53x39E**, **GR53x42E** utilisé pour fixer le clip arrondi **GRC53**

Polyamide. For **GR53x22/eco**, **GR53x22E**, **GR53x60E**, **GR53x34E**, **GR53x39E**, **GR53x42E** guide rails for fixing **GRC53** half-round plug

Polyamid. Für Führungsschienen **GR53x22/eco**, **GR53x22E**, **GR53x60E**, **GR53x34E**, **GR53x39E**, **GR53x42E**. Dient zur Befestigung des Rundvorsatzprofils **GRC53**.



Référence • Article • Artikel	Code • Code • Code
GRX53	307112000

Poids, kg / Weight, kg / Gewicht, kg0,004
Commande standardisée, pièces / Standard pack, pcs / Verpackungseinheit, Stk50

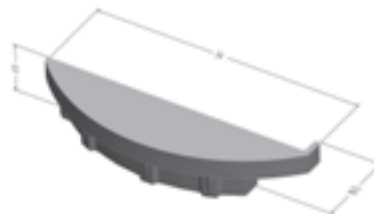
GRC53T | EMBOUT POUR COULISSE | GUIDE PLUG | FÜHRUNGSSCHIENENABSCHLUSS

Fabriqué en polyamide. Compatible avec les coulisses **GR53×22/eco**, **GR53×22E**, **GR53×60E**, **GR53×34E**, **GR53×42E**, **GR53×39E** à être utilisé avec le clip arrondi **GRC53**

Polyamide. For **GR53×22/eco**, **GR53×22E**, **GR53×60E**, **GR53×34E**, **GR53×42E**, **GR53×39E** guide rails, to be used with **GRC53** half-round plug

Polyamid. Für Führungsschienen **GR53×22/eco**, **GR53×22E**, **GR53×60E**, **GR53×34E**, **GR53×42E**, **GR53×39E**. Im Set mit Rundvorsatzprofil **GRC53**.

Coloris	Colour	Farbe	Code • Code • Code
blanc	white	weiß	307110101
brun	brown	braun	307110102
gris	grey	grau	307110103
beige	beige	beige	307110104
bleu ciel	sky blue	himmelblau	307110106
rouge pourpre	purple red	purpurrot	307110107
alu argenté	silver	silber	307110108
noir	black	schwarz	307110110
anthracite	anthracite	anthrazit	307110113
vert sapin	green fir	tannengrün	307110115
bleu azuré	azure blue	azurblau	307110116
jaune	yellow	gelb	307110120
crème	cream	cremeweiss	307110121
brun foncé	dark brown	dunkelbraun	307110122
ivoire claire	light ivory	hellelfenbein	307110123
beige foncé	dark beige	dunkelbeige	307110124
vert mousse	green moss	moosgrün	307110125
bleu foncé	dark blue	dunkelblau	307110126
bronze	bronze	bronze	307110129
Poids de 1 m, kg • Weight per 1 m, kg • Gewicht je lfd.m, kg			0,007
Commande standardisée, paire			25
• Standard pack, pair • Verpackungseinheit, Paar			

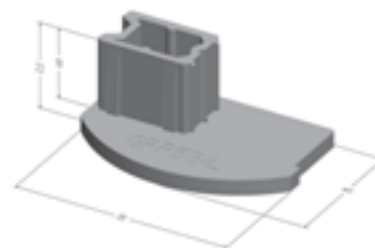

GRC53B | EMBOUT POUR COULISSE | GUIDE PLUG | FÜHRUNGSSCHIENENABSCHLUSS

Fabriqué en polyamide. Compatible avec les coulisses **GR53×22/eco**, **GR53×22E**, **GR53×60E**, **GR53×34E**, **GR53×39E**, **GR53×42E** à être utilisé avec le clip arrondi **GRC53**

Polyamide. For **GR53×22/eco**, **GR53×22E**, **GR53×60E**, **GR53×34E**, **GR53×39E**, **GR53×42E** guide rails, to be used with **GRC53** half-round plug.

Polyamid. Für Führungsschienen **GR53×22/eco**, **GR53×22E**, **GR53×60E**, **GR53×34E**, **GR53×39E**, **GR53×42E**. Im Set mit Rundvorsatzprofil **GRC53**.

Coloris	Colour	Farbe	Code • Code • Code
blanc	white	weiß	307111101
brun	brown	braun	307111102
gris	grey	grau	307111103
beige	beige	beige	307111104
bleu ciel	sky blue	himmelblau	307111106
rouge pourpre	purple red	purpurrot	307111107
alu argenté	silver	silber	307111108
noir	black	schwarz	307111110
anthracite	anthracite	anthrazit	307111113
vert sapin	green fir	tannengrün	307111115
bleu azuré	azure blue	azurblau	307111116
jaune	yellow	gelb	307111120
crème	cream	cremeweiss	307111121
brun foncé	dark brown	dunkelbraun	307111122
ivoire claire	light ivory	hellelfenbein	307111123
beige foncé	dark beige	dunkelbeige	307111124
vert mousse	green moss	moosgrün	307111125
bleu foncé	dark blue	dunkelblau	307111126
bronze	bronze	bronze	307111129
Poids de 1 m, kg • Weight per 1 m, kg • Gewicht je lfd.m, kg			0,016
Commande standardisée, paire			25
• Standard pack, pair • Verpackungseinheit, Paar			



JOINTS POUR LES COULISSES | INSERTS FOR GUIDE RAILS | EINLAGEN FÜR FÜHRUNGSSCHIENEN

	IS11	IS13	IS24	ISE01	ISE17	ISE19	ISE03
GR45x22E							
GR45x34E							
GR45x60E							
GR53x22/eco							
GR53x22E							
GR53x34E							
GR53x39E							
GR53x42E							
GR53x60E							
GR79x22E							
GR83x22E							
GR65x24/eco							
GR65x24E							
GR60x21/SE							
GRM66x27E							
GR75x27E							
GR70x34E							
GR83x33/eco							
GR75x27/SE							
GR90x33(I)							
GR90x34E							
GR100x35E							
GR90x34BE7							

[Fr] CAISSONS, JOUES
LATÉRALES, CHARIOTS ET
CONSOLES

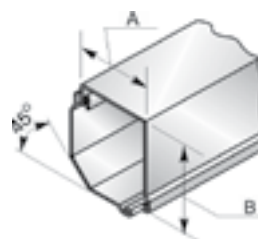
[En] SHUTTER BOXES, END CAPS,
CARRIAGES AND CONSOLES

[De] BLENDENKÄSTEN,
BLENDENKAPPEN,
LAUFWAGEN UND
KONSOLEN

Caissons et joues latérales 45° Shutter boxes and end caps 45° Blendenkästen und Blendenkappen 45°

SB | CAISSON 45° | SHUTTER BOX 45° | BLENDEKASTEN 45°

Profilé en aluminium, en deux parties, avec un film de protection
Aluminium, roll formed, consists of 2 parts, with protective film
Aluminium, rollgeformt, besteht aus 2 Teilen, mit Schutzfolie



Coloris	Colour	Farbe	SB45/125	SB45/137	SB45/150	SB45/165	SB45/180	SB45/205
			Code • Code • Code					
blanc	white	weiß	305072201	1060021	1060031	1060101	1060201	1060301
brun	brown	braun	305072202	1060022	1060032	1060102	1060202	1060302
gris	grey	grau	305072203	1060023	1060033	1060103	1060203	1060303
beige	beige	beige	305072204	1060024	1060034	1060104	1060204	1060304
alu argenté	silver	silber	305072208	1060028	1060038	1060108	1060208	1060308
rouge pourpre	purple red	purpurrot	–	–	–	305003207	305004207	305005207
anthracite	anthracite	anthrazit	–	305001213	305002213	305003213	305004213	305005213
vert sapin	green fir	tannengrün	–	–	305002215	305003215	305004215	305005215
crème	cream	cremeweiss	–	305001221	305002221	305003221	305004221	305005221
brun foncé	dark brown	dunkelbraun	305072222	305001222	305002222	305003222	305004222	305005222
ivoire claire	light ivory	hellelfenbein	305072223	305001223	305002223	305003223	305004223	305005223
vert mousse	green moss	moosgrün	–	–	305002225	305003225	305004225	305005225
bleu foncé	dark blue	dunkelblau	–	–	305002226	305003226	305004226	305005226
chêne doré	golden oak	goldene Eiche	305072219	305001219	305002219	305003219	305004219	305005219
chêne irlandais	irish oak	Eiche hell	–	–	–	–	–	305005239
merisier	black cherry	Kirsche	305072249	305001249	305002249	305003249	305004249	305005249
noyer	nut	Nussbaum	305072259	305001259	305002259	305003259	305004259	305005259
Poids de 1 ml, kg • Weight per 1 m, kg • Gewicht je lfd.m, kg			1	1,1	1,194	1,313	1,432	1,832
Longueur standardisée, m • Standard length, m • Produktionslänge, m			6	6	6	6	6	6
Commande standardisée, m • Standard pack, m • Verpackungseinheit, m			30	30	30	30	30	18
A, mm			125	137	150	165	180	205
B, mm			125	137	150	165	180	205

Plaxage par le film Renolit • Lamination by Renolit film • Kaschierung mit Renolit-Folie

Coloris	Colour	Farbe	SB45/137	SB45/150	SB45/165	SB45/180	SB45/205
			Code • Code • Code				
chêne doré Renolit	golden oak Renolit	goldene Eiche Renolit	305001419	305002419	305003419	305004419	305005419
noyer Renolit	nut Renolit	Nussbaum Renolit	305001459	305002459	305003459	305004459	305005459



SB45/137...205

Schema d'application

Application scheme

Schema der Auftragung

SB | CAISSON 45° | SHUTTER BOX 45° | BLENDEKASTEN 45°

Profilé en aluminium, en deux parties, avec un film de protection

Aluminium, roll formed, consists of 2 parts, with protective film

Aluminium, rollgeformt, besteht aus 2 Teilen, mit Schutzfolie

Dimensions de 230 à 300 mm
Sizes from 230 to 300 mm
Typengrößen von 230 bis 300 mm


SB45/360
SB45/405


Coloris	Colour	Farbe	SB45/230	SB45/250	SB45/300	SB45/360	SB45/405
			Code • Code • Code				
blanc	white	weiß	305150201	1060401	1060501	1060601	1060701
brun	brown	braun	305150202	1060402	1060502	1060602	1060702
gris	grey	grau	305150203	1060403	1060503	1060603	-
beige	beige	beige	305150204	1060404	1060504	1060604	-
alu argenté	silver	silber	305150208	1060408	1060508	1060608	-
rouge pourpre	purple red	purpurrot	-	-	305007207	305008207	-
anthracite	anthracite	anthrazit	305150213	305006213	305007213	305008213	-
vert sapin	green fir	tannengrün	-	-	305007215	-	-
crème	cream	cremeweiss	-	305006221	305007221	305008221	-
brun foncé	dark brown	dunkelbraun	305150222	305006222	305007222	305008222	-
ivoire claire	light ivory	hellelfenbein	-	-	-	-	-
vert mousse	green moss	moosgrün	-	-	305007225	-	-
bleu foncé	dark blue	dunkelblau	-	-	305007226	-	-
chêne doré	golden oak	goldene Eiche	-	305006219	305007219	305008219	-
chêne irlandais	irish oak	Eiche hell	-	-	-	-	-
merisier	black cherry	Kirsche	305150249	-	305007249	305008249	-
noyer	nut	Nussbaum	305150259	-	305007259	305008259	-
Poids de 1 ml, kg • Weight per 1 m, kg • Gewicht je lfd.m, kg			2,27	2,495	2,86	3	3,364
Longueur standardisée, m • Standard length, m • Produktionslänge, m			6	6	6	6	6
Commande standardisée, m • Standard pack, m • Verpackungseinheit, m			18	18	18	12	12
A, mm			230	250	300	360	405
B, mm			230	250	300	360	405

SB-P/45E | CAISSON EXTRUDÉ 45° | 45° EXTRUDED SHUTTER BOX | BLENDEKASTEN 45° STRANGGEPRESST

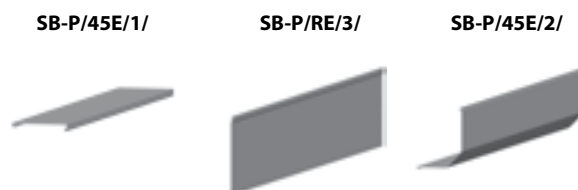
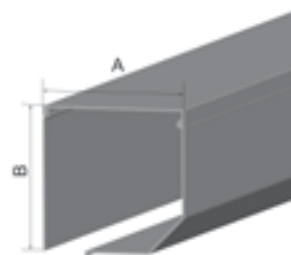
En aluminium, extrudé, en 3 parties. A utiliser avec les joues latérales

SF45/137...205u, SF45/137...205u-B, M-SF45/137...205u

Aluminium, extruded, consists of 3 parts. To be used with **SF45/137...205u,**

SF45/137...205u-B, M-SF45/137...205u end caps

Aluminium, stranggepresst, besteht aus 3 Kastenteilen. Wird zusammen mit Blendenkappen **SF45/137...205u, SF45/137...205u-B, M-SF45/137...205u** verwendet.



A=B=137 mm

Coloris	Colour	Farbe	SB-P/45E/1/137		SB-P/RE/3/137		SB-P/45E/2/137	
			Surface structurée Shagreen Oberfläche strukturiert	Surface lisse Gloss Oberfläche glänzend	Surface structurée Shagreen Oberfläche strukturiert	Surface lisse Gloss Oberfläche glänzend	Surface structurée Shagreen Oberfläche strukturiert	Surface lisse Gloss Oberfläche glänzend
			Code • Code • Code					
brut	mill-finished	blank	305155100		305013100		305156100	
blanc	white	weiß	305155101	305155201	305013101	305013201	305156101	305156201
brun	brown	braun	305155102	305155202	305013102	305013202	305156102	305156202
gris	grey	grau	305155103	305155203	305013103	305013203	305156103	305156203
beige	beige	beige	305155104	305155204	305013104	305013204	305156104	305156204
bleu ciel	sky-blue	himmelblau	-	305155206	-	305013206	-	305156206
rouge pourpre	purple red	purpurrot	-	305155207	-	305013207	-	305156207
alu argenté	silver	silber	305155108	305155208	305013108	305013208	305156108	305156208
noir	black	schwarz	-	305155210	-	305013210	-	305156210
anthracite	anthracite	anthrazit	-	305155213	-	305013213	-	305156213
vert sapin	green fir	tannengrün	-	305155215	-	305013215	-	305156215
bleu azuré	azure blue	azurblau	-	305155216	-	305013216	-	305156216
jaune	yellow	gelb	-	305155220	-	305013220	-	305156220
crème	cream	cremeweiss	-	305155221	-	305013221	-	305156221
brun foncé	dark brown	dunkelbraun	305155122	305155222	305013122	305013222	305156122	305156222
ivoire claire	light ivory	hellelfenbein	-	305155223	-	305013223	-	305156223
beige foncé	dark beige	dunkelbeige	-	305155224	-	305013224	-	305156224
vert mousse	green moss	moosgrün	-	305155225	-	305013225	-	305156225
bleu foncé	dark blue	dunkelblau	-	305155226	-	305013226	-	305156226
bronze	bronze	bronze	-	305155229	-	305013229	-	305156229
Poids d'une paire, kg • Weight per 1 pair, kg • Gewicht pro Paar, kg			0,944		0,695		1,114	
Longueur standardisée, m • Standard length, m • Produktionslänge, m			6		6		6	
Commande standardisée, paire • Standard pack, pair • Verpackungseinheit, m			36		36		36	

SB-P/45E | CAISSON EXTRUDÉ 45° | 45° EXTRUDED SHUTTER BOX | BLENDEKASTEN 45° STRANGGEPRESST
A=B=150 mm

Coloris	Colour	Farbe	SB-P/45E/1/150		SB-P/RE/3/150		SB-P/45E/2/150	
			Surface structurée Shagreen Oberfläche strukturiert	Surface lisse Gloss Oberfläche glänzend	Surface structurée Shagreen Oberfläche strukturiert	Surface lisse Gloss Oberfläche glänzend	Surface structurée Shagreen Oberfläche strukturiert	Surface lisse Gloss Oberfläche glänzend
			Code • Code • Code					
brut	mill-finished	blank	305157100		305016100		305158100	
blanc	white	weiß	305157101	305157201	305016101	305016201	305158101	305158201
brun	brown	braun	305157102	305157202	305016102	305016202	305158102	305158202
gris	grey	grau	305157103	305157203	305016103	305016203	305158103	305158203
beige	beige	beige	305157104	305157204	305016104	305016204	305158104	305158204
bleu ciel	sky-blue	himmelblau	-	305157206	-	305016206	-	305158206
rouge pourpre	purple red	purpurrot	-	305157207	-	305016207	-	305158207
alu argenté	silver	silber	305157108	305157208	305016108	305016208	305158108	305158208
noir	black	schwarz	-	305157210	-	305016210	-	305158210
anthracite	anthracite	anthrazit	-	305157213	-	305016213	-	305158213
vert sapin	green fir	tannengrün	-	305157215	-	305016215	-	305158215
bleu azuré	azure blue	azurblau	-	305157216	-	305016216	-	305158216
jaune	yellow	gelb	-	305157220	-	305016220	-	305158220
crème	cream	cremeweiss	-	305157221	-	305016221	-	305158221
brun foncé	dark brown	dunkelbraun	305157122	305157222	305016122	305016222	305158122	305158222
ivoire claire	light ivory	hellelfenbein	-	305157223	-	305016223	-	305158223
beige foncé	dark beige	dunkelbeige	-	305157224	-	305016224	-	305158224
vert mousse	green moss	moosgrün	-	305157225	-	305016225	-	305158225
bleu foncé	dark blue	dunkelblau	-	305157226	-	305016226	-	305158226
bronze	bronze	bronze	-	305157229	-	305016229	-	305158229
Poids d'une paire, kg • Weight per 1 pair, kg • Gewicht pro Paar, kg			1,014		0,85		1,236	
Longueur standardisée, m • Standard length, m • Produktionslänge, m			6		6		6	
Commande standardisée, paire • Standard pack, pair • Verpackungseinheit, m			36		36		36	

A=B=165 mm

Coloris	Colour	Farbe	SB-P/45E/1/165		SB-P/RE/3/165		SB-P/45E/2/165	
			Surface structurée Shagreen Oberfläche strukturiert	Surface lisse Gloss Oberfläche glänzend	Surface structurée Shagreen Oberfläche strukturiert	Surface lisse Gloss Oberfläche glänzend	Surface structurée Shagreen Oberfläche strukturiert	Surface lisse Gloss Oberfläche glänzend
			Code • Code • Code					
brut	mill-finished	blank	305159100		305019100		305160100	
blanc	white	weiß	305159101	305159201	305019101	305019201	305160101	305160201
brun	brown	braun	305159102	305159202	305019102	305019202	305160102	305160202
gris	grey	grau	305159103	305159203	305019103	305019203	305160103	305160203
beige	beige	beige	305159104	305159204	305019104	305019204	305160104	305160204
bleu ciel	sky-blue	himmelblau	-	305159206	-	305019206	-	305160206
rouge pourpre	purple red	purpurrot	-	305159207	-	305019207	-	305160207
alu argenté	silver	silber	305159108	305159208	305019108	305019208	305160108	305160208
noir	black	schwarz	-	305159210	-	305019210	-	305160210
anthracite	anthracite	anthrazit	-	305159213	-	305019213	-	305160213
vert sapin	green fir	tannengrün	-	305159215	-	305019215	-	305160215
bleu azuré	azure blue	azurblau	-	305159216	-	305019216	-	305160216
jaune	yellow	gelb	-	305159220	-	305019220	-	305160220
crème	cream	cremeweiss	-	305159221	-	305019221	-	305160221
brun foncé	dark brown	dunkelbraun	305159122	305159222	305019122	305019222	305160122	305160222
ivoire claire	light ivory	hellelfenbein	-	305159223	-	305019223	-	305160223
beige foncé	dark beige	dunkelbeige	-	305159224	-	305019224	-	305160224
vert mousse	green moss	moosgrün	-	305159225	-	305019225	-	305160225
bleu foncé	dark blue	dunkelblau	-	305159226	-	305019226	-	305160226
bronze	bronze	bronze	-	305159229	-	305019229	-	305160229
Poids d'une paire, kg • Weight per 1 pair, kg • Gewicht pro Paar, kg			1,095		0,914		1,385	
Longueur standardisée, m • Standard length, m • Produktionslänge, m			6		6		6	
Commande standardisée, paire • Standard pack, pair • Verpackungseinheit, m			30		30		30	

SB-P/45E | CAISSON EXTRUDÉ 45° | 45° EXTRUDED SHUTTER BOX | BLENDEKASTEN 45° STRANGGEPRESST

A=B=180 mm			SB-P/45E/1/180		SB-P/RE/3/180		SB-P/45E/2/180	
Coloris	Colour	Farbe	Surface structurée	Surface lisse	Surface structurée	Surface lisse	Surface structurée	Surface lisse
			Shagreen	Gloss	Shagreen	Gloss	Shagreen	Gloss
			Oberfläche strukturiert	Oberfläche glänzend	Oberfläche strukturiert	Oberfläche glänzend	Oberfläche strukturiert	Oberfläche glänzend
Code • Code • Code								
brut	mill-finished	blank	305161100		305022100		305162100	
blanc	white	weiß	305161101	305161201	305022101	305022201	305162101	305162201
brun	brown	braun	305161102	305161202	305022102	305022202	305162102	305162202
gris	grey	grau	305161103	305161203	305022103	305022203	305162103	305162203
beige	beige	beige	305161104	305161204	305022104	305022204	305162104	305162204
bleu ciel	sky-blue	himmelblau	-	305161206	-	305022206	-	305162206
rouge pourpre	purple red	purpurrot	-	305161207	-	305022207	-	305162207
alu argenté	silver	silber	305161108	305161208	305022108	305022208	305162108	305162208
noir	black	schwarz	-	305161210	-	305022210	-	305162210
anthracite	anthracite	anthrazit	-	305161213	-	305022213	-	305162213
vert sapin	green fir	tannengrün	-	305161215	-	305022215	-	305162215
bleu azuré	azure blue	azurblau	-	305161216	-	305022216	-	305162216
jaune	yellow	gelb	-	305161220	-	305022220	-	305162220
crème	cream	cremeweiss	-	305161221	-	305022221	-	305162221
brun foncé	dark brown	dunkelbraun	305161122	305161222	305022122	305022222	305162122	305162222
ivoire claire	light ivory	hellelfenbein	-	305161223	-	305022223	-	305162223
beige foncé	dark beige	dunkelbeige	-	305161224	-	305022224	-	305162224
vert mousse	green moss	moosgrün	-	305161225	-	305022225	-	305162225
bleu foncé	dark blue	dunkelblau	-	305161226	-	305022226	-	305162226
bronze	bronze	bronze	-	305161229	-	305022229	-	305162229
Poids d'une paire, kg • Weight per 1 pair, kg • Gewicht pro Paar, kg			1,176		1,009		1,531	
Longueur standardisée, m • Standard length, m • Produktionslänge, m			6		6		6	
Commande standardisée, paire • Standard pack, pair • Verpackungseinheit, m			30		30		30	

A=B=205 mm			SB-P/45E/1/205		SB-P/RE/3/205		SB-P/45E/2/205	
Coloris	Colour	Farbe	Surface structurée	Surface lisse	Surface structurée	Surface lisse	Surface structurée	Surface lisse
			Shagreen	Gloss	Shagreen	Gloss	Shagreen	Gloss
			Oberfläche strukturiert	Oberfläche glänzend	Oberfläche strukturiert	Oberfläche glänzend	Oberfläche strukturiert	Oberfläche glänzend
Code • Code • Code								
brut	mill-finished	blank	305163100		305025100		305164100	
blanc	white	weiß	305163101	305163201	305025101	305025201	305164101	305164201
brun	brown	braun	305163102	305163202	305025102	305025202	305164102	305164202
gris	grey	grau	305163103	305163203	305025103	305025203	305164103	305164203
beige	beige	beige	305163104	305163204	305025104	305025204	305164104	305164204
bleu ciel	sky-blue	himmelblau	-	305163206	-	305025206	-	305164206
rouge pourpre	purple red	purpurrot	-	305163207	-	305025207	-	305164207
alu argenté	silver	silber	305163108	305163208	305025108	305025208	305164108	305164208
noir	black	schwarz	-	305163210	-	305025210	-	305164210
anthracite	anthracite	anthrazit	-	305163213	-	305025213	-	305164213
vert sapin	green fir	tannengrün	-	305163215	-	305025215	-	305164215
bleu azuré	azure blue	azurblau	-	305163216	-	305025216	-	305164216
jaune	yellow	gelb	-	305163220	-	305025220	-	305164220
crème	cream	cremeweiss	-	305163221	-	305025221	-	305164221
brun foncé	dark brown	dunkelbraun	305163122	305163222	305025122	305025222	305164122	305164222
ivoire claire	light ivory	hellelfenbein	-	305163223	-	305025223	-	305164223
beige foncé	dark beige	dunkelbeige	-	305163224	-	305025224	-	305164224
vert mousse	green moss	moosgrün	-	305163225	-	305025225	-	305164225
bleu foncé	dark blue	dunkelblau	-	305163226	-	305025226	-	305164226
bronze	bronze	bronze	-	305163229	-	305025229	-	305164229
Poids d'une paire, kg • Weight per 1 pair, kg • Gewicht pro Paar, kg			1,311		1,201		1,784	
Longueur standardisée, m • Standard length, m • Produktionslänge, m			6		6		6	
Commande standardisée, paire • Standard pack, pair • Verpackungseinheit, m			24		24		24	

SB45/360-MH | CAISSON | SHUTTER BOX | BLENDEKASTEN

En aluminium, profilé, à utiliser avec les joues latérales **SF360/C**
 Aluminium, roll-formed, to be used with the **SF360/C** end caps
 Aluminium, rollgeformt, kompatibel mit Blendenkappen **SF360/C**



SB45/360-MH

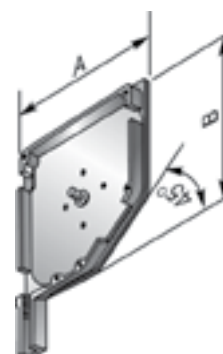
Coloris	Colour	Farbe	Code • Code • Code
blanc	white	weiß	305176201
brun	brown	braun	305176202
gris	grey	grau	305176203
beige	beige	beige	305176204
alu argenté	silver	silber	305176208
Poids d'une paire, kg • Weight per 1 pair, kg • Gewicht pro Paar, kg			3,557
Longueur standardisée, m • Standard length, m • Produktionslänge, m			6
Commande standardisée, paire • Standard pack, pair • Verpackungseinheit, Paar			12

SF | JOUES LATÉRALES 45° | END CAPS 45° | BLENDEKAPPEN 45°

Fabriquée en aluminium, à utiliser avec les coulisses **GR53×22/eco, GR65×24E, GR45×22E, GR45×60E, GR53×22E, GR53×34E, GR53×42E, GR53×60E, GRM66×27E, GR45×34E, GR53×39E, GR65×24/eco, GR60×21/SE, M-GR53×39E**

Aluminium. For **GR53×22/eco, GR65×24E, GR45×22E, GR45×60E, GR53×22E, GR53×34E, GR53×42E, GR53×60E, GRM66×27E, GR45×34E, GR53×39E, GR65×24/eco, GR60×21/SE, M-GR53×39E** guide rails

Aluminium. Für Führungsschienen **GR53×22/eco, GR65×24E, GR45×22E, GR45×60E, GR53×22E, GR53×34E, GR53×42E, GR53×60E, GRM66×27E, GR45×34E, GR53×39E, GR65×24/eco, GR60×21/SE, M-GR53×39E**



Coloris	Colour	Farbe	SF125		SF137a		SF150a	
			Surface structurée Shagreen Oberfläche strukturiert	Surface lisse Gloss Oberfläche glänzend	Surface structurée Shagreen Oberfläche strukturiert	Surface lisse Gloss Oberfläche glänzend	Surface structurée Shagreen Oberfläche strukturiert	Surface lisse Gloss Oberfläche glänzend
			Code • Code • Code					
brut	mill-finished	blank	306048100		1070040		1070050	
blanc	white	weiß	306048101	306048201	1070041	306001201	1070051	306002201
brun	brown	braun	306048102	306048202	1070042	306001202	1070052	306002202
gris	grey	grau	306048103	306048203	1070043	306001203	1070053	306002203
beige	beige	beige	306048104	306048204	1070044	306001204	1070054	306002204
alu argenté	silver	silber	306048108	306048208	1070048	306001208	1070058	306002208
bleu ciel	sky blue	himmelblau	-	306048206	-	306001206	-	306002206
rouge pourpre	purple red	purpurrot	-	306048207	-	306001207	-	306002207
noir	black	schwarz	-	306048210	-	306001210	-	306002210
anthracite	anthracite	anthrazit	-	306048213	-	306001213	-	306002213
vert sapin	green fir	tannengrün	-	306048215	-	306001215	-	306002215
bleu azuré	azure blue	azurblau	-	306048216	-	306001216	-	306002216
jaune	yellow	gelb	-	306048220	-	306001220	-	306002220
crème	cream	cremeweiss	-	306048221	-	306001221	-	306002221
brun foncé	dark brown	dunkelbraun	-	306048222	-	306001222	-	306002222
ivoire claire	light ivory	hellelfenbein	-	306048223	-	306001223	-	306002223
beige foncé	dark beige	dunkelbeige	-	306048224	-	306001224	-	306002224
vert mousse	green moss	moosgrün	-	306048225	-	306001225	-	306002225
bleu foncé	dark blue	dunkelblau	-	306048226	-	306001226	-	306002226
bronze	bronze	bronze	-	306048229	-	306001229	-	306002229
chêne doré	golden oak	goldene Eiche	-	-	306001119	-	306002119	-
merisier	black cherry	Kirsche	-	-	306001149	-	306002149	-
noyer	nut	Nussbaum	-	-	306001159	-	306002159	-
Poids d'une paire, kg • Weight per 1 pair, kg • Gewicht pro Paar, kg			0,391		0,427		0,492	
Commande standardisée, paire • Standard pack, pair • Verpackungseinheit, Paar			13		13		10	
A, mm			125		137		150	
B, mm			125		137		150	

Plaxage par le film Renolit • Lamination by Renolit film • Kaschierung mit Renolit-Folie

Coloris	Colour	Farbe	SF137a	SF150a
			Code • Code • Code	
chêne doré Renolit	golden oak Renolit	goldene Eiche Renolit	306001419	306002419
noyer Renolit	nut Renolit	Nussbaum Renolit	306001459	306002459



SF137a-205a

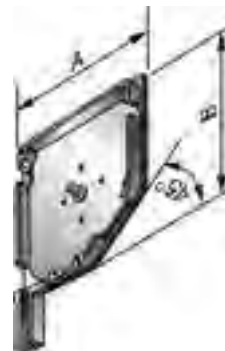
Schema d'application
Application scheme
Schema der Auftragung

SF | JOUES LATÉRALES 45° | END CAPS 45° | BLENDEKAPPEN 45°

Fabriquée en aluminium, à utiliser avec les coulisses **GR53×22/eco, GR65×24E, GR45×22E, GR45×60E, GR53×22E, GR53×34E, GR53×42E, GR53×60E, GRM66×27E, GR45×34E, GR53×39E, GR65×24/eco, GR60×21/SE, M-GR53×39E**

Aluminium. For **GR53×22/eco, GR65×24E, GR45×22E, GR45×60E, GR53×22E, GR53×34E, GR53×42E, GR53×60E, GRM66×27E, GR45×34E, GR53×39E, GR65×24/eco, GR60×21/SE, M-GR53×39E** guide rails

Aluminium. Für Führungsschienen **GR53×22/eco, GR65×24E, GR45×22E, GR45×60E, GR53×22E, GR53×34E, GR53×42E, GR53×60E, GRM66×27E, GR45×34E, GR53×39E, GR65×24/eco, GR60×21/SE, M-GR53×39E**



Coloris	Colour	Farbe	SF165a		SF180a		SF205a	
			Surface structurée Shagreen Oberfläche strukturiert	Surface lisse Gloss Oberfläche glänzend	Surface structurée Shagreen Oberfläche strukturiert	Surface lisse Gloss Oberfläche glänzend	Surface structurée Shagreen Oberfläche strukturiert	Surface lisse Gloss Oberfläche glänzend
			Code • Code • Code					
brut	mill-finished	blank	1070110		1070210		1070310	
blanc	white	weiß	1070111	306003201	1070211	306004201	1070311	306005201
brun	brown	braun	1070112	306003202	1070212	306004202	1070312	306005202
gris	grey	grau	1070113	306003203	1070213	306004203	1070313	306005203
beige	beige	beige	1070114	306003204	1070214	306004204	1070314	306005204
alu argenté	silver	silber	1070118	306003208	1070218	306004208	1070318	306005208
bleu ciel	sky blue	himmelblau	-	306003206	-	306004206	-	306005206
rouge pourpre	purple red	purpurrot	-	306003207	-	306004207	-	306005207
noir	black	schwarz	-	306003210	-	306004210	-	306005210
anthracite	anthracite	anthrazit	-	306003213	-	306004213	-	306005213
vert sapin	green fir	tannengrün	-	306003215	-	306004215	-	306005215
bleu azuré	azure blue	azurblau	-	306003216	-	306004216	-	306005216
jaune	yellow	gelb	-	306003220	-	306004220	-	306005220
crème	cream	cremeweiss	-	306003221	-	306004221	-	306005221
brun foncé	dark brown	dunkelbraun	-	306003222	-	306004222	-	306005222
ivoire claire	light ivory	hellelfenbein	-	306003223	-	306004223	-	306005223
beige foncé	dark beige	dunkelbeige	-	306003224	-	306004224	-	306005224
vert mousse	green moss	moosgrün	-	306003225	-	306004225	-	306005225
bleu foncé	dark blue	dunkelblau	-	306003226	-	306004226	-	306005226
bronze	bronze	bronze	-	306003229	-	306004229	-	306005229
chêne doré	golden oak	goldene Eiche	306003119	-	306004119	-	306005119	-
chêne irlandais	irish oak	Eiche hell	-	-	306004139	-	306005139	-
merisier	black cherry	Kirsche	306003149	-	306004149	-	306005149	-
noyer	nut	Nussbaum	306003159	-	306004159	-	306005159	-
Poids d'une paire, kg • Weight per 1 pair, kg • Gewicht pro Paar, kg			0,569		0,683		0,793	
Commande standardisée, paire • Standard pack, pair • Verpackungseinheit, Paar			10		10		10	
A, mm			165		180		205	
B, mm			165		180		205	

Plaxage par le film Renolit • Lamination by Renolit film • Kaschierung mit Renolit-Folie

Coloris	Colour	Farbe	SF165a	SF180a	SF205a
			Code • Code • Code		
chêne doré Renolit	golden oak Renolit	goldene Eiche Renolit	306003419	306004419	306005419
noyer Renolit	nut Renolit	Nussbaum Renolit	306003459	306004459	306005459



SF137a-205a

Schema d'application
Application scheme
Schema der Auftragung

SF45/u | JOUE LATÉRALE 45° | END CAP 45° | BLENDEKAPPE 45°

Pour les caissons **SB45**. En aluminium. A utiliser avec les coulisses **GR45×22E, GR45×34E, GR45×60E, GR53×22/eco, GR53×22E, GR53×34E, GR53×39E, GR53×42E, GR53×60E, GR60×21/SE, GR65×24E, GR65×24/eco, GRM66×27E, M-GR53×39E**. A utiliser avec les tulipes **GD9/U, GD14/U, M-GD9/U** ou le rouleau de guidage **RGH9/U**

For **SB45** shutter boxes. Aluminium. Used with **GR45×22E, GR45×34E, GR45×60E, GR53×22/eco, GR53×22E, GR53×34E, GR53×39E, GR53×42E, GR53×60E, GR60×21/SE, GR65×24E, GR65×24/eco, GRM66×27E, M-GR53×39E** guide rails. Used with **GD9/U, GD14/U, M-GD9/U** entry guides or **RGH9/U** guide roller

Für **SB45**-Blendenkästen. Aluminium. Wird zusammen mit Führungsschienen **GR45×22E, GR45×34E, GR45×60E, GR53×22/eco, GR53×22E, GR53×34E, GR53×39E, GR53×42E, GR53×60E, GR60×21/SE, GR65×24E, GR65×24/eco, GRM66×27E, M-GR53×39E** verwendet. Kompatibel mit Einlaufstützen **GD9/U, GD14/U, M-GD9/U** und Einlaufrolle **RGH9/U**.



			SF45/137u		SF45/150u		SF45/165u	
Coloris	Colour	Farbe	Surface structurée	Surface lisse	Surface structurée	Surface lisse	Surface structurée	Surface lisse
			Shagreen	Gloss	Shagreen	Gloss	Shagreen	Gloss
			Oberfläche strukturiert	Oberfläche glänzend	Oberfläche strukturiert	Oberfläche glänzend	Oberfläche strukturiert	Oberfläche glänzend
Code • Code • Code								
brut	mill-finished	blank	306210100		306211100		306212100	
blanc	white	weiß	306210101	306210201	306211101	306211201	306212101	306212201
brun	brown	braun	306210102	306210202	306211102	306211202	306212102	306212202
gris	grey	grau	306210103	306210203	306211103	306211203	306212103	306212203
beige	beige	beige	306210104	306210204	306211104	306211204	306212104	306212204
bleu ciel	light blue	himmelblau	-	306210206	-	306211206	-	306212206
rouge pourpre	purple red	purpurrot	-	306210207	-	306211207	-	306212207
alu argenté	silver	silber	306210108	306210208	306211108	306211208	306212108	306212208
noir	black	schwarz	-	306210210	-	306211210	-	306212210
anthracite	anthracite	anthrazit	-	306210213	-	306211213	-	306212213
vert sapin	green fir	tannengrün	-	306210215	-	306211215	-	306212215
bleu azuré	azure blue	azurblau	-	306210216	-	306211216	-	306212216
chêne doré	golden oak	goldene Eiche	306210119	-	306211119	-	306212119	-
jaune	yellow	gelb	-	306210220	-	306211220	-	306212220
crème	cream	cremeweiss	-	306210221	-	306211221	-	306212221
brun foncé	dark brown	dunkelbraun	306210122	306210222	306211122	306211222	306212122	306212222
ivoire claire	light ivory	hellelfenbein	-	306210223	-	306211223	-	306212223
beige foncé	dark beige	dunkelbeige	-	306210224	-	306211224	-	306212224
vert mousse	green moss	moosgrün	-	306210225	-	306211225	-	306212225
bleu foncé	dark blue	dunkelblau	-	306210226	-	306211226	-	306212226
bronze	bronze	bronze	-	306210229	-	306211229	-	306212229
merisier	black cherry	Kirsche	306210149	-	306211149	-	306212149	-
noyer	nut	Nussbaum	306210159	-	306211159	-	306212159	-
Poids d'une paire, kg			0,489		0,554		0,63	
• Weight per 1 pair, kg • Gewicht pro Paar, kg			0,489		0,554		0,63	
Commande standardisée, paire			13		10		10	
• Standard pack, pair • Verpackungseinheit, Paar			13		10		10	
A, mm			137		150		165	
B, mm			137		150		165	

SF45/u | JOUE LATÉRALE 45° | END CAP 45° | BLENDEKAPPE 45°

Pour les caissons **SB45**. En aluminium. A utiliser avec les coulisses **GR45×22E, GR45×34E, GR45×60E, GR53×22/eco, GR53×22E, GR53×34E, GR53×39E, GR53×42E, GR53×60E, GR60×21/SE, GR65×24E, GR65×24/eco, GRM66×27E, M-GR53×39E**. A utiliser avec les tulipes **GD9/U, GD14/U, M-GD9/U** ou le rouleau de guidage **RGH9/U**

For **SB45** shutter boxes. Aluminium. Used with **GR45×22E, GR45×34E, GR45×60E, GR53×22/eco, GR53×22E, GR53×34E, GR53×39E, GR53×42E, GR53×60E, GR60×21/SE, GR65×24E, GR65×24/eco, GRM66×27E, M-GR53×39E** guide rails. Used with **GD9/U, GD14/U, M-GD9/U** entry guides or **RGH9/U** guide roller

Für **SB45**-Blendenkästen. Aluminium. Wird zusammen mit Führungsschienen **GR45×22E, GR45×34E, GR45×60E, GR53×22/eco, GR53×22E, GR53×34E, GR53×39E, GR53×42E, GR53×60E, GR60×21/SE, GR65×24E, GR65×24/eco, GRM66×27E, M-GR53×39E** verwendet. Kompatibel mit Einlaufstützen **GD9/U, GD14/U, M-GD9/U** und Einlaufrolle **RGH9/U**.



SF45/180u

SF45/205u

Coloris	Colour	Farbe	Surface structurée	Surface lisse	Surface structurée	Surface lisse
			Shagreen	Gloss	Shagreen	Gloss
			Oberfläche strukturiert	Oberfläche glänzend	Oberfläche strukturiert	Oberfläche glänzend
Code • Code • Code						
brut	mill-finished	blank	306213100		306214100	
blanc	white	weiß	306213101	306213201	306214101	306214201
brun	brown	braun	306213102	306213202	306214102	306214202
gris	grey	grau	306213103	306213203	306214103	306214203
beige	beige	beige	306213104	306213204	306214104	306214204
bleu ciel	light blue	himmelblau	-	306213206	-	306214206
rouge pourpre	purple red	purpurrot	-	306213207	-	306214207
alu argenté	silver	silber	306213108	306213208	306214108	306214208
noir	black	schwarz	-	306213210	-	306214210
anthracite	anthracite	anthrazit	-	306213213	-	306214213
vert sapin	green fir	tannengrün	-	306213215	-	306214215
bleu azuré	azure blue	azurblau	-	306213216	-	306214216
chêne doré	golden oak	goldene Eiche	306213119	-	306214119	-
jaune	yellow	gelb	-	306213220	-	306214220
crème	cream	cremeweiss	-	306213221	-	306214221
brun foncé	dark brown	dunkelbraun	306213122	306213222	306214122	306214222
ivoire claire	light ivory	hellelfenbein	-	306213223	-	306214223
beige foncé	dark beige	dunkelbeige	-	306213224	-	306214224
vert mousse	green moss	moosgrün	-	306213225	-	306214225
bleu foncé	dark blue	dunkelblau	-	306213226	-	306214226
bronze	bronze	bronze	-	306213229	-	306214229
chêne irlandais	irish oak	Eiche hell	306213139	-	306214139	-
merisier	black cherry	Kirsche	306213149	-	306214149	-
noyer	nut	Nussbaum	306213159	-	306214159	-
Poids d'une paire, kg			0,708		0,851	
• Weight per 1 pair, kg • Gewicht pro Paar, kg						
Commande standardisée, paire			10		10	
• Standard pack, pair • Verpackungseinheit, Paar						
A, mm			180		205	
B, mm			180		205	

SB45/u-M | JOUE LATÉRALE 45° | END CAP 45° | BLENDEKAPPE 45°

Pour les caissons SB45. En aluminium. Fabriquées en alliage anticorrosif, conçues pour l'utilisation dans les régions maritimes.

For SB45 shutter boxes. Aluminium. Made from corrosion resistant alloy. Designed for seaside regions.

Für SB45-Blendenkästen. Aluminium. Gefertigt aus einer nichtrostenden Legierung, geeignet für den Betrieb in Meeresgebieten.

**NOUVEAUTÉ
NEW
NEUHEIT**



A utiliser avec les coulisses **GR45×22E, GR45×34E, GR45×60E, GR53×22/eco, GR53×22E, GR53×34E, GR53×39E, GR53×42E, GR53×60E, GR60×21/SE, GR65×24E, GR65×24/eco, GRM66×27E, M-GR53×39E**. A utiliser avec les tulipes **GD9/U, GD14/U, M-GD9/U** ou le rouleau de guidage **RGH9/U**.

Used with **GR45×22E, GR45×34E, GR45×60E, GR53×22/eco, GR53×22E, GR53×34E, GR53×39E, GR53×42E, GR53×60E, GR60×21/SE, GR65×24E, GR65×24/eco, GRM66×27E, M-GR53×39E** guide rails. Used with **GD9/U, GD14/U, M-GD9/U** entry guides or **RGH9/U** guide roller.

Wird zusammen mit Führungsschienen **GR45×22E, GR45×34E, GR45×60E, GR53×22/eco, GR53×22E, GR53×34E, GR53×39E, GR53×42E, GR53×60E, GR60×21/SE, GR65×24/eco, GRM66×27E, M-GR53×39E** verwendet. Kompatibel mit Einlaufstützen **GD9/U, GD14/U, M-GD9/U** und Einlaufrolle **RGH9/U**.

SF45/137u-M SF45/150u-M SF45/165u-M SF45/180u-M SF45/205u-M

Coloris	Colour	Farbe	Surface lisse Gloss Oberfläche glänzend				
			Code • Code • Code				
			SF45/137u-M	SF45/150u-M	SF45/165u-M	SF45/180u-M	SF45/205u-M
brut	mill-finished	blank	306225100	306226100	306227100	306228100	306229100
blanc	white	weiß	306225201	306226201	306227201	306228201	306229201
brun	brown	braun	306225202	306226202	306227202	306228202	306229202
gris	grey	grau	306225203	306226203	306227203	306228203	306229203
beige	beige	beige	306225204	306226204	306227204	306228204	306229204
bleu ciel	light blue	himmelblau	306225206	306226206	306227206	306228206	306229206
rouge pourpre	purple red	purpurrot	306225207	306226207	306227207	306228207	306229207
alu argenté	silver	silber	306225208	306226208	306227208	306228208	306229208
noir	black	schwarz	306225210	306226210	306227210	306228210	306229210
anthracite	anthracite	anthrazit	306225213	306226213	306227213	306228213	306229213
vert sapin	green fir	tannengrün	306225215	306226215	306227215	306228215	306229215
bleu azuré	azure blue	azurblau	306225216	306226216	306227216	306228216	306229216
jaune	yellow	gelb	306225220	306226220	306227220	306228220	306229220
crème	cream	cremeweiss	306225221	306226221	306227221	306228221	306229221
brun foncé	dark brown	dunkelbraun	306225222	306226222	306227222	306228222	306229222
ivoire claire	light ivory	hellelfenbein	306225223	306226223	306227223	306228223	306229223
beige foncé	dark beige	dunkelbeige	306225224	306226224	306227224	306228224	306229224
vert mousse	green moss	moosgrün	306225225	306226225	306227225	306228225	306229225
bleu foncé	dark blue	dunkelblau	306225226	306226226	306227226	306228226	306229226
bronze	bronze	bronze	306225229	306226229	306227229	306228229	306229229
blanc perle	pearl white	perlweiss	306225231	306226231	306227231	306228231	306229231
Poids d'une paire, kg • Weight per 1 pair, kg • Gewicht pro Paar, kg			0,489	0,554	0,63	0,708	0,851
Commande standardisée, paire • Standard pack, pair • Verpackungseinheit, Paar			13	10	10	10	10
A, mm			137	150	165	180	205
B, mm			137	150	165	180	205

SF45/u-B | JOUE LATÉRALE 45° | END CAP 45° | BLENDEKAPPE 45°

Pour les caissons **SB45**. En aluminium, avec des bosses pour poser sans perçage les supports. A utiliser avec les coulisses **GR45×22E, GR45×34E, GR45×60E, GR53×22/eco, GR53×22E, GR53×34E, GR53×39E, GR53×42E, GR53×60E, GR60×21/SE, GR65×24E, GR65×24/eco, GRM66×27E, M-GR53×39E**. A utiliser avec les tulipes **GD9/U, GD14/U, M-GD9/U** ou le rouleau de guidage **RGH9/U**, le support universel **KMU/G** ou **KMU/WG**.

For **SB45** shutter boxes. Aluminium, with pins to mount the supports without drilling. Used with **GR45×22E, GR45×34E, GR45×60E, GR53×22/eco, GR53×22E, GR53×34E, GR53×39E, GR53×42E, GR53×60E, GR60×21/SE, GR65×24E, GR65×24/eco, GRM66×27E, M-GR53×39E** guide rails. Used with **GD9/U, GD14/U, M-GD9/U** entry guides or **RGH9/U** guide roller, **KMU/G** or **KMU/WG** universal motor bracket.

Für **SB45**-Blendenkästen. Aluminium, mit Zapfen für Befestigung ohne Anbohren. Wird zusammen mit Führungsschienen **GR45×22E, GR45×34E, GR45×60E, GR53×22/eco, GR53×22E, GR53×34E, GR53×39E, GR53×42E, GR53×60E, GR60×21/SE, GR65×24E, GR65×24/eco, GRM66×27E, M-GR53×39E** verwendet. Kompatibel mit Einlaufstützen **GD9/U, GD14/U, M-GD9/U** oder Einlaufrolle **RGH9/U**, Universal-Befestigung **KMU/G** oder **KMU/WG**.



			SF45/137u-B		SF45/150u-B		SF45/165u-B	
Coloris	Colour	Farbe	Surface structurée	Surface lisse	Surface structurée	Surface lisse	Surface structurée	Surface lisse
			Shagreen	Gloss	Shagreen	Gloss	Shagreen	Gloss
			Oberfläche strukturiert	Oberfläche glänzend	Oberfläche strukturiert	Oberfläche glänzend	Oberfläche strukturiert	Oberfläche glänzend
Code • Code • Code								
brut	mill-finished	blank	306215100		306216100		306217100	
blanc	white	weiß	306215101	306215201	306216101	306216201	306217101	306217201
brun	brown	braun	306215102	306215202	306216102	306216202	306217102	306217202
gris	grey	grau	306215103	306215203	306216103	306216203	306217103	306217203
beige	beige	beige	306215104	306215204	306216104	306216204	306217104	306217204
bleu ciel	light blue	himmelblau		306215206		306216206		306217206
rouge pourpre	purple red	purpurrot		306215207		306216207		306217207
alu argenté	silver	silber	306215108	306215208	306216108	306216208	306217108	306217208
noir	black	schwarz		306215210		306216210		306217210
anthracite	anthracite	anthrazit		306215213		306216213		306217213
vert sapin	green fir	tannengrün		306215215		306216215		306217215
bleu azuré	azure blue	azurblau		306215216		306216216		306217216
chêne doré	golden oak	goldene Eiche	306215119		306216119		306217119	
jaune	yellow	gelb		306215220		306216220		306217220
crème	cream	cremeweiss		306215221		306216221		306217221
brun foncé	dark brown	dunkelbraun	306215122	306215222	306216122	306216222	306217122	306217222
ivoire claire	light ivory	hellelfenbein		306215223		306216223		306217223
beige foncé	dark beige	dunkelbeige		306215224		306216224		306217224
vert mousse	green moss	moosgrün		306215225		306216225		306217225
bleu foncé	dark blue	dunkelblau		306215226		306216226		306217226
bronze	bronze	bronze		306215229		306216229		306217229
merisier	black cherry	Kirsche	306215149		306216149		306217149	
noyer	nut	Nussbaum	306215159		306216159		306217159	
Poids d'une paire, kg			0,493		0,559		0,632	
• Weight per 1 pair, kg • Gewicht pro Paar, kg			0,493		0,559		0,632	
Commande standardisée, paire			13		10		10	
• Standard pack, pair • Verpackungseinheit, Paar			13		10		10	
A, mm			137		150		165	
B, mm			137		150		165	

SF45/u-B | JOUE LATÉRALE 45° | END CAP 45° | BLENDEKAPPE 45°

Pour les caissons **SB45**. En aluminium, avec des bosses pour poser sans perçage les supports. A utiliser avec les coulisses **GR45×22E, GR45×34E, GR45×60E, GR53×22/eco, GR53×22E, GR53×34E, GR53×39E, GR53×42E, GR53×60E, GR60×21/SE, GR65×24E, GR65×24/eco, GRM66×27E, M-GR53×39E**. A utiliser avec les tulipes **GD9/U, GD14/U, M-GD9/U** ou le rouleau de guidage **RGH9/U**, le support universel **KMU/G** ou **KMU/WG**.

For **SB45** shutter boxes. Aluminium, with pins to mount the supports without drilling. Used with **GR45×22E, GR45×34E, GR45×60E, GR53×22/eco, GR53×22E, GR53×34E, GR53×39E, GR53×42E, GR53×60E, GR60×21/SE, GR65×24E, GR65×24/eco, GRM66×27E, M-GR53×39E** guide rails. Used with **GD9/U, GD14/U, M-GD9/U** entry guides or **RGH9/U** guide roller, **KMU/G** or **KMU/WG** universal motor bracket.

Für **SB45**-Blendenkästen. Aluminium, mit Zapfen für Befestigung ohne Anbohren. Wird zusammen mit Führungsschienen **GR45×22E, GR45×34E, GR45×60E, GR53×22/eco, GR53×22E, GR53×34E, GR53×39E, GR53×42E, GR53×60E, GR60×21/SE, GR65×24E, GR65×24/eco, GRM66×27E, M-GR53×39E** verwendet. Kompatibel mit Einlaufstützen **GD9/U, GD14/U, M-GD9/U** oder Einlaufrolle **RGH9/U**, Universal-Befestigung **KMU/G** oder **KMU/WG**.



SF45/180u-B

SF45/205u-B

Coloris	Colour	Farbe	Surface structurée	Surface lisse	Surface structurée	Surface lisse
			Shagreen	Gloss	Shagreen	Gloss
			Oberfläche strukturiert	Oberfläche glänzend	Oberfläche strukturiert	Oberfläche glänzend
Code • Code • Code						
brut	mill-finished	blank	306218100		306219100	
blanc	white	weiß	306218101	306218201	306219101	306219201
brun	brown	braun	306218102	306218202	306219102	306219202
gris	grey	grau	306218103	306218203	306219103	306219203
beige	beige	beige	306218104	306218204	306219104	306219204
bleu ciel	light blue	himmelblau	-	306218206	-	306219206
rouge pourpre	purple red	purpurrot	-	306218207	-	306219207
alu argenté	silver	silber	306218108	306218208	306219108	306219208
noir	black	schwarz	-	306218210	-	306219210
anthracite	anthracite	anthrazit	-	306218213	-	306219213
vert sapin	green fir	tannengrün	-	306218215	-	306219215
bleu azuré	azure blue	azurblau	-	306218216	-	306219216
chêne doré	golden oak	goldene Eiche	306218119	-	306219119	-
jaune	yellow	gelb	-	306218220	-	306219220
crème	cream	cremeweiss	-	306218221	-	306219221
brun foncé	dark brown	dunkelbraun	306218122	306218222	306219122	306219222
ivoire claire	light ivory	hellelfenbein	-	306218223	-	306219223
beige foncé	dark beige	dunkelbeige	-	306218224	-	306219224
vert mousse	green moss	moosgrün	-	306218225	-	306219225
bleu foncé	dark blue	dunkelblau	-	306218226	-	306219226
bronze	bronze	bronze	-	306218229	-	306219229
chêne irlandais	irish oak	Eiche hell	306218139	-	306219139	-
merisier	black cherry	Kirsche	306218149	-	306219149	-
noyer	nut	Nussbaum	306218159	-	306219159	-
Poids d'une paire, kg			0,712		0,855	
• Weight per 1 pair, kg • Gewicht pro Paar, kg						
Commande standardisée, paire			10		10	
• Standard pack, pair • Verpackungseinheit, Paar						
A, mm			180		205	
B, mm			180		205	

SB45/u-BM | JOUE LATÉRALE 45° | END CAP 45° | BLENDEKAPPE 45°

Pour les caissons SB45. En aluminium. Fabriquées en alliage anticorrosif, conçues pour l'utilisation dans les régions maritimes.

For SB45 shutter boxes. Aluminium. Made from corrosion resistant alloy. Designed for seaside regions.

Für SB45-Blendenkästen. Aluminium. Gefertigt aus einer nichtrostenden Legierung, geeignet für den Betrieb in Meeresgebieten.

A utiliser avec les coulisses **GR45x22E, GR45x34E, GR45x60E, GR53x22/eco, GR53x22E, GR53x34E, GR53x39E, GR53x42E, GR53x60E, GR60x21/SE, GR65x24E, GR65x24/eco, GRM66x27E, M-GR53x39E**. A utiliser avec les tulipes **GD9/U, GD14/U, M-GD9/U** ou le rouleau de guidage **RGH9/U**, le support universel **KMU/G** ou **KMU/WG**.

Used with **GR45x22E, GR45x34E, GR45x60E, GR53x22/eco, GR53x22E, GR53x34E, GR53x39E, GR53x42E, GR53x60E, GR60x21/SE, GR65x24/eco, GRM66x27E, M-GR53x39E** guide rails. Used with **GD9/U, GD14/U, M-GD9/U** entry guides or **RGH9/U** guide roller, **KMU/G** or **KMU/WG** universal motor bracket.

Wird zusammen mit Führungsschienen **GR45x22E, GR45x34E, GR45x60E, GR53x22/eco, GR53x22E, GR53x34E, GR53x39E, GR53x42E, GR53x60E, GR60x21/SE, GR65x24E, GR65x24/eco, GRM66x27E, M-GR53x39E** verwendet. Kompatibel mit Einlaufstützen **GD9/U, GD14/U, M-GD9/U** oder Einlaufrolle **RGH9/U**, Universal-Befestigung **KMU/G** oder **KMU/WG**.

**NOUVEAUTÉ
NEW
NEUHEIT**



SF45/137u-BM SF45/150u-BM SF45/165u-BM SF45/180u-BM SF45/205u-BM

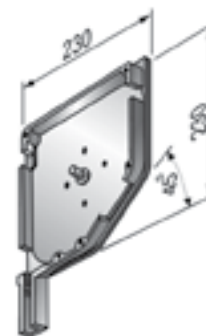
Coloris	Colour	Farbe	Surface lisse				
			Gloss				
			Oberfläche glänzend				
			Code • Code • Code				
brut	mill-finished	blank	306230100	306231100	306232100	306233100	306234100
blanc	white	weiß	306230201	306231201	306232201	306233201	306234201
brun	brown	braun	306230202	306231202	306232202	306233202	306234202
gris	grey	grau	306230203	306231203	306232203	306233203	306234203
beige	beige	beige	306230204	306231204	306232204	306233204	306234204
alu argenté	silver	silber	306230208	306231208	306232208	306233208	306234208
brun foncé	dark brown	dunkelbraun	306230222	306231222	306232222	306233222	306234222
Poids d'une paire, kg • Weight per 1 pair, kg • Gewicht pro Paar, kg			0,493	0,559	0,632	0,712	0,855
Commande standardisée, paire • Standard pack, pair • Verpackungseinheit, Paar			13	10	10	10	10
A, mm			137	150	165	180	205
B, mm			137	150	165	180	205

SF230/S, SF230/S-M | JOUES LATÉRALES 45° | END CAPS 45° | BLENDEKAPPEN 45°

Fabriquée en aluminium, à utiliser avec les coulisses **GR45×22E, GR53×22E, GR53×22/eco, GR45×60E, GR53×60E, GR53×34E, GR53×42E, GR65×24E, GRM66×27E, GR45×34E, GR53×39E, GR65×24/eco, GR60×21/SE**

Aluminium. For **GR45×22E, GR53×22E, GR53×22/eco, GR45×60E, GR53×60E, GR53×34E, GR53×42E, GR65×24E, GRM66×27E, GR45×34E, GR53×39E, GR65×24/eco, GR60×21/SE** guide rails

Aluminium. Für Führungsschienen **GR45×22E, GR53×22E, GR53×22/eco, GR45×60E, GR53×60E, GR53×34E, GR53×42E, GR65×24E, GRM66×27E, GR45×34E, GR53×39E, GR65×24/eco, GR60×21/SE**



SF230/S-M – fabriquées en alliage anticorrosif, conçues pour l'utilisation dans les régions maritimes.

SF230/S-M – made from corrosion resistant alloy. Designed for seaside regions.

SF230/S-M – gefertigt aus einer nichtrostenden Legierung, geeignet für den Betrieb in Meeresgebieten.

Coloris	Colour	Farbe	SF230/S		SF230/S-M
			Surface structurée Shagreen Oberfläche strukturiert	Surface lisse Gloss Oberfläche glänzend	Surface lisse Gloss Oberfläche glänzend
			Code • Code • Code		
brut	mill-finished	blank	306128100		306235100
blanc	white	weiß	306128101	306128201	306235201
blanc perle	pearl white	perlweiss	–	–	306235231
brun	brown	braun	306128102	306128202	306235202
gris	grey	grau	306128103	306128203	306235203
beige	beige	beige	306128104	306128204	306235204
alu argenté	silver	silber	306128108	306128208	306235208
bleu ciel	sky blue	himmelblau	–	306128206	–
rouge pourpre	purple red	purpurrot	–	306128207	–
noir	black	schwarz	–	306128210	–
anthracite	anthracite	anthrazit	–	306128213	306235213
vert sapin	green fir	tannengrün	–	306128215	–
bleu azuré	azure blue	azurblau	–	306128216	–
jaune	yellow	gelb	–	306128220	–
crème	cream	cremeweiss	–	306128221	306235221
brun foncé	dark brown	dunkelbraun	306128122	306128222	306235222
ivoire claire	light ivory	hellelfenbein	–	306128223	306235223
beige foncé	dark beige	dunkelbeige	–	306128224	–
vert mousse	green moss	moosgrün	–	306128225	–
bleu foncé	dark blue	dunkelblau	–	306128226	–
bronze	bronze	bronze	–	306128229	–
chêne doré	golden oak	goldene Eiche	306128119	–	–
merisier	black cherry	Kirsche	306128149	–	–
noyer	nut	Nussbaum	306128159	–	–
Poids d'une paire, kg • Weight per 1 pair, kg • Gewicht pro Paar, kg			0,945		
Commande standardisée, paire • Standard pack, pair • Verpackungseinheit, Paar			7		

SF230, SF230-M | JOUE LATÉRALE | END CAP | BLENDEKAPPE

En aluminium, à utiliser avec les coulisses **GR75×27E, GR75×27/SE, GR90×33(I), GR70×34E, GR83×33/eco, GR90×34E, GR100×35IE**

Aluminium, to be used with the guide rails **GR75×27E, GR75×27/SE, GR90×33(I), GR70×34E, GR83×33/eco, GR90×34E, GR100×35IE**

Aluminium, kompatibel mit Führungsschienen **GR75×27E, GR75×27/SE, GR90×33(I), GR70×34E, GR83×33/eco, GR90×34E, GR100×35IE**

SF230-M – fabriquées en alliage anticorrosif, conçues pour l'utilisation dans les régions maritimes.

SF230-M – made from corrosion resistant alloy. Designed for seaside regions.

SF230-M – gefertigt aus einer nichtrostenden Legierung, geeignet für den Betrieb in Meeresgebieten.



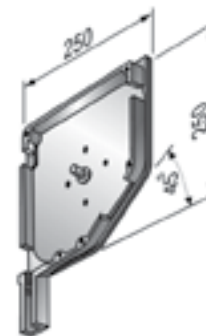
Coloris	Colour	Farbe	SF230		SF230-M
			Surface structurée Shagreen Oberfläche strukturiert	Surface lisse Gloss Oberfläche glänzend	Surface lisse Gloss Oberfläche glänzend
			Code • Code • Code		
brut	mill-finished	blank	306129100		306236100
blanc	white	weiß	306129101	306129201	306236201
brun	brown	braun	306129102	306129202	306236202
gris	grey	grau	306129103	306129203	306236203
beige	beige	beige	306129104	306129204	306236204
bleu ciel	sky blue	himmelblau	–	306129206	–
rouge pourpre	purple red	purpurrot	–	306129207	–
alu argenté	silver	silber	306129108	306129208	306236208
noir	black	schwarz	–	306129210	–
anthracite	anthracite	anthrazit	–	306129213	–
vert sapin	green fir	tannengrün	–	306129215	–
bleu azuré	azure blue	azurblau	–	306129216	–
jaune	yellow	gelb	–	306129220	–
crème	cream	cremeweiss	–	306129221	–
brun foncé	dark brown	dunkelbraun	306129122	306129222	306236222
ivoire claire	light ivory	hellelfenbein	–	306129223	–
beige foncé	dark beige	dunkelbeige	–	306129224	–
vert mousse	green moss	moosgrün	–	306129225	–
bleu foncé	dark blue	dunkelblau	–	306129226	–
bronze	bronze	bronze	–	306129229	–
chêne doré	golden oak	goldene Eiche	306129119	–	–
chêne irlandais	irish oak	Eiche hell	306129139	–	–
merisier	black cherry	Kirsche	306129149	–	–
noyer	nut	Nussbaum	306129159	–	–
Poids d'une paire, kg • Weight per 1 pair, kg • Gewicht pro Paar, kg			1,218		
Commande standardisée, paire • Standard pack, pair • Verpackungseinheit, Paar			5		

SF250/Sa, SF250/Sa-M | JOUES LATÉRALES 45° | END CAPS 45° | BLENDEKAPPEN 45°

Fabriquée en aluminium, à utiliser avec les coulisses **GR53×22/eco, GR65×24E, GR45×22E, GR45×60E, GR53×22E, GR53×34E, GR53×42E, GR53×60E, GRM66×27E, GR45×34E, GR53×39E, GR65×24/eco, GR60×21/SE**

Aluminium. For **GR53×22/eco, GR65×24E, GR45×22E, GR45×60E, GR53×22E, GR53×34E, GR53×42E, GR53×60E, GRM66×27E, GR45×34E, GR53×39E, GR65×24/eco, GR60×21/SE** guide rails

Aluminium. Für Führungsschienen **GR53×22/eco, GR65×24E, GR45×22E, GR45×60E, GR53×22E, GR53×34E, GR53×42E, GR53×60E, GRM66×27E, GR45×34E, GR53×39E, GR65×24/eco, GR60×21/SE**



SF250/Sa-M – fabriquées en alliage anticorrosif, conçues pour l'utilisation dans les régions maritimes.

SF250/Sa-M – made from corrosion resistant alloy. Designed for seaside regions.

SF250/Sa-M – gefertigt aus einer nichtrostenden Legierung, geeignet für den Betrieb in Meeresgebieten.

Coloris	Colour	Farbe	SF250/Sa		SF250/Sa-M
			Surface structurée Shagreen	Surface lisse Gloss	Surface lisse Gloss
			Oberfläche strukturiert	Oberfläche glänzend	Oberfläche glänzend
Code • Code • Code					
brut	mill-finished	blank	1070460		306031100
blanc	white	weiß	1070461	306007201	306031201
brun	brown	braun	1070462	306007202	306031202
gris	grey	grau	1070463	306007203	306031203
beige	beige	beige	1070464	306007204	306031204
alu argenté	silver	silber	1070468	306007208	306031208
bleu ciel	sky blue	himmelblau	–	306007206	306031206
rouge pourpre	purple red	purpurrot	–	306007207	306031207
noir	black	schwarz	–	306007210	306031210
anthracite	anthracite	anthrazit	–	306007213	306031213
vert sapin	green fir	tannengrün	–	306007215	306031215
bleu azuré	azure blue	azurblau	–	306007216	306031216
jaune	yellow	gelb	–	306007220	306031220
crème	cream	cremeweiss	–	306007221	306031221
brun foncé	dark brown	dunkelbraun	–	306007222	306031222
ivoire claire	light ivory	hellelfenbein	–	306007223	306031223
beige foncé	dark beige	dunkelbeige	–	306007224	306031224
vert mousse	green moss	moosgrün	–	306007225	306031225
bleu foncé	dark blue	dunkelblau	–	306007226	306031226
bronze	bronze	bronze	–	306007229	306031229
chêne doré	golden oak	goldene Eiche	306007119	–	–
merisier	black cherry	Kirsche	306007149	–	–
noyer	nut	Nussbaum	306007159	–	–
Poids d'une paire, kg • Weight per 1 pair, kg • Gewicht pro Paar, kg			1,340		
Commande standardisée, paire • Standard pack, pair • Verpackungseinheit, Paar			7		

SF250a, SF250a-M | JOUES LATÉRALES 45° | END CAPS 45° | BLENDEKAPPEN 45°

Fabriquée en aluminium, à utiliser avec les coulisses **GR75x27E**, **GR70x34E**, **GR83x33/eco**, **GR90x34E**, **GR75x27/SE**, **GR90x33(I)**, **GR100x35**

Aluminium. For **GR75x27E**, **GR70x34E**, **GR83x33/eco**, **GR90x34E**, **GR75x27/SE**, **GR90x33(I)**, **GR100x35** guide rails

Aluminium. Für Führungsschienen **GR75x27E**, **GR70x34E**, **GR83x33/eco**, **GR90x34E**, **GR75x27/SE**, **GR90x33(I)**, **GR100x35**

SF250a-M – fabriquées en alliage anticorrosif, conçues pour l'utilisation dans les régions maritimes.

SF250a-M – made from corrosion resistant alloy. Designed for seaside regions.

SF250a-M – gefertigt aus einer nichtrostenden Legierung, geeignet für den Betrieb in Meeresgebieten.



Coloris	Colour	Farbe	SF250a		SF250a-M
			Surface structurée Shagreen	Surface lisse Gloss	Surface lisse Gloss
			Oberfläche strukturiert	Oberfläche glänzend	Oberfläche glänzend
Code • Code • Code					
brut	mill-finished	blank	306006100		
blanc	white	weiß	306006101	306006201	306030201
brun	brown	braun	306006102	306006202	306030202
gris	grey	grau	306006103	306006203	306030203
beige	beige	beige	306006104	306006204	306030204
alu argenté	silver	silber	306006108	306006208	306030208
bleu ciel	sky blue	himmelblau	–	306006206	306030206
rouge pourpre	purple red	purpurrot	–	306006207	306030207
noir	black	schwarz	–	306006210	306030210
anthracite	anthracite	anthrazit	–	306006213	306030213
vert sapin	green fir	tannengrün	–	306006215	306030215
bleu azuré	azure blue	azurblau	–	306006216	306030216
jaune	yellow	gelb	–	306006220	306030220
crème	cream	cremeweiss	–	306006221	306030221
brun foncé	dark brown	dunkelbraun	306006122	306006222	306030222
ivoire claire	light ivory	hellelfenbein	–	306006223	306030223
beige foncé	dark beige	dunkelbeige	–	306006224	306030224
vert mousse	green moss	moosgrün	–	306006225	306030225
bleu foncé	dark blue	dunkelblau	–	306006226	306030226
bronze	bronze	bronze	–	306006229	306030229
chêne doré	golden oak	goldene Eiche	306006119	–	–
chêne irlandais	irish oak	Eiche hell	306006139	–	–
merisier	black cherry	Kirsche	306006149	–	–
noyer	nut	Nussbaum	306006159	–	–
Poids d'une paire, kg • Weight per 1 pair, kg • Gewicht pro Paar, kg				1,764	
Commande standardisée, paire • Standard pack, pair • Verpackungseinheit, Paar				5	

SF300a, SF300a-M | JOUES LATÉRALES 45° | END CAPS 45° | BLENDENKAPPEN 45°

Fabriquée en aluminium, à utiliser avec les coulisses **GR75×27E, GR70×34E, GR83×33/eco, GR90×34E, GR75×27/SE, GR90×33(I), GR100×35**

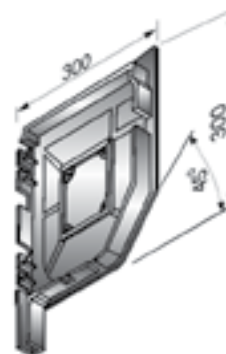
Aluminium. For **GR75×27E, GR70×34E, GR83×33/eco, GR90×34E, GR75×27/SE, GR90×33(I), GR100×35** guide rails

Aluminium. Für Führungsschienen **GR75×27E, GR70×34E, GR83×33/eco, GR90×34E, GR75×27/SE, GR90×33(I), GR100×35**

SF300a-M – fabriquées en alliage anticorrosif, conçues pour l'utilisation dans les régions maritimes.

SF300a-M – made from corrosion resistant alloy. Designed for seaside regions.

SF300a-M – gefertigt aus einer nichtrostenden Legierung, geeignet für den Betrieb in Meeresgebieten.



Coloris	Colour	Farbe	SF300a		SF300a-M
			Surface structurée Shagreen	Surface lisse Gloss	Surface lisse Gloss
			Oberfläche strukturiert	Oberfläche glänzend	Oberfläche glänzend
			Code • Code • Code		
brut	mill-finished	blank	306008100		
blanc	white	weiß	306008101	306008201	306032201
brun	brown	braun	306008102	306008202	306032202
gris	grey	grau	306008103	306008203	306032203
beige	beige	beige	306008104	306008204	306032204
alu argenté	silver	silber	306008108	306008208	306032208
bleu ciel	sky blue	himmelblau	–	306008206	306032206
rouge pourpre	purple red	purpurrot	–	306008207	306032207
noir	black	schwarz	–	306008210	306032210
anthracite	anthracite	anthrazit	–	306008213	306032213
vert sapin	green fir	tannengrün	–	306008215	306032215
bleu azuré	azure blue	azurblau	–	306008216	306032216
jaune	yellow	gelb	–	306008220	306032220
crème	cream	cremeweiss	–	306008221	306032221
brun foncé	dark brown	dunkelbraun	306008122	306008222	306032222
ivoire claire	light ivory	hellelfenbein	–	306008223	306032223
beige foncé	dark beige	dunkelbeige	–	306008224	306032224
vert mousse	green moss	moosgrün	–	306008225	306032225
bleu foncé	dark blue	dunkelblau	–	306008226	306032226
bronze	bronze	bronze	–	306008229	306032229
chêne doré	golden oak	goldene Eiche	306008119	–	–
chêne irlandais	irish oak	Eiche hell	306008139	–	–
merisier	black cherry	Kirsche	306008149	–	–
noyer	nut	Nussbaum	306008159	–	–
Poids d'une paire, kg • Weight per 1 pair, kg • Gewicht pro Paar, kg				2,374	
Commande standardisée, paire • Standard pack, pair • Verpackungseinheit, Paar				5	

SF360 | JOUES LATÉRALES | END CAPS | BLENDEKAPPEN

En acier, sans chariot. Pour les volets à tablier lourd. A utiliser avec les coulisses **GR75x27E**, **GR70x34E**, **GR83x33/eco**, **GR90x34E**, **GR75x27/SE**, **GR90x33(I)**, **GR100x35**

Steel, without roller carriage. For mounting a heavy roller shutter system. Used with **GR75x27E**, **GR70x34E**, **GR83x33/eco**, **GR90x34E**, **GR75x27/SE**, **GR90x33(I)**, **GR100x35** guide rails

Stahl, ohne Laufwagen. Für Rollladensysteme mit schwerem Rollladenpanzer. Wird zusammen mit Führungsschienen **GR75x27E**, **GR70x34E**, **GR83x33/eco**, **GR90x34E**, **GR75x27/SE**, **GR90x33(I)**, **GR100x35** verwendet

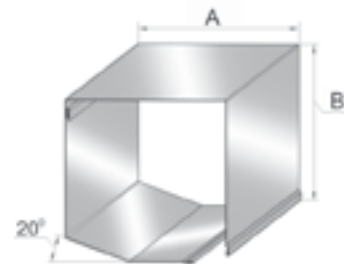


Coloris	Colour	Farbe	Code • Code • Code
blanc	white	weiß	306127101
brun	brown	braun	306127102
gris	grey	grau	306127103
beige	beige	beige	306127104
alu argenté	silver	silber	306127108
brun foncé	dark brown	dunkelbraun	306127122
Poids d'une paire, kg • Weight per 1 pair, kg • Gewicht pro Paar, kg			9,48
Commande standardisée, paire • Standard pack, pair • Verpackungseinheit, Paar			1

Caissons et joues latérales 20° Shutter boxes and end caps 20° Blendenkästen und Blendenkappen 20°

SB20 | CAISSON 20° | SHUTTER BOX 20° | BLENDENKASTEN 20°

Profilé en aluminium, en deux parties, avec un film de protection
 Aluminium, roll formed, consists of 2 parts, with protective film
 Aluminium, rollgeformt, besteht aus 2 Teilen, mit Schutzfolie



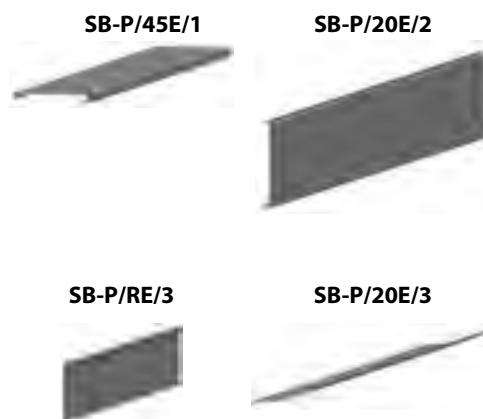
Coloris	Colour	Farbe	SB20/137	SB20/150	SB20/165	SB20/180	SB20/205
			Code • Code • Code				
blanc	white	weiß	305040201	305041201	305042201	305043201	305044201
brun	brown	braun	305040202	305041202	305042202	305043202	305044202
gris	grey	grau	305040203	305041203	305042203	305043203	305044203
beige	beige	beige	305040204	305041204	305042204	305043204	305044204
rouge pourpre	purple red	purpurrot	305040207	305041207	305042207	305043207	305044207
alu argenté	silver	silber	305040208	305041208	305042208	305043208	305044208
anthracite	anthracite	anthrazit	305040213	305041213	305042213	305043213	305044213
vert sapin	green fir	tannengrün	305040215	305041215	305042215	305043215	305044215
crème	cream	cremeweiss	305040221	305041221	305042221	305043221	305044221
brun foncé	dark brown	dunkelbraun	305040222	305041222	305042222	305043222	305044222
ivoire claire	light ivory	hellelfenbein	305040223	305041223	305042223	305043223	305044223
vert mousse	green moss	moosgrün	305040225	305041225	305042225	305043225	305044225
bleu foncé	dark blue	dunkelblau	305040226	305041226	305042226	305043226	305044226
Poids de 1 m, kg • Weight per 1 m, kg • Gewicht je lfd.m, kg			1,212	1,333	1,47	1,606	1,954
Longueur standardisée, m • Standard length, m • Produktionslänge, m			6	6	6	6	6
Commande standardisée, m • Standard pack, m • Verpackungseinheit, m			30	30	30	30	18
A, mm			137	150	165	180	205
B, mm			137	150	165	180	205

SB-P/20E | CAISSON EXTRUDÉ 20° | 20° EXTRUDED SHUTTER BOX | BLENDEKASTEN 20° STRANGGEPRESST

En aluminium, extrudé, en 4 parties. A utiliser avec les joues latérales **SF20/137...205**.

Aluminium, extruded, consists of 4 parts. To be used with **SF20/137...205** end caps.

Aluminium, stranggepresst, besteht aus 4 Kastenteilen. Wird zusammen mit Blendenkappen **SF20/137...205** verwendet.



A=B=137 mm

SB-P/45E/1/137

SB-P/RE/3/137

SB-P/20E/2/137

SB-P/20E/3/137

Coloris	Colour	Farbe	Surface structurée	Surface lisse	Surface structurée	Surface lisse	Surface structurée	Surface lisse	Surface structurée	Surface lisse
			Shagreen	Gloss	Shagreen	Gloss	Shagreen	Gloss	Shagreen	Gloss
			Oberfläche strukturiert	Oberfläche glänzend	Oberfläche strukturiert	Oberfläche glänzend	Oberfläche strukturiert	Oberfläche glänzend	Oberfläche strukturiert	Oberfläche glänzend
Code • Code • Code										
brut	mill-finished	blank	305155100		305165100		305165100		305180100	
blanc	white	weiß	305155101	305155201	305013101	305013201	305165101	305165201	305180101	305180201
brun	brown	braun	305155102	305155202	305013102	305013202	305165102	305165202	305180102	305180202
gris	grey	grau	305155103	305155203	305013103	305013203	305165103	305165203	305180103	305180203
beige	beige	beige	305155104	305155204	305013104	305013204	305165104	305165204	305180104	305180204
bleu ciel	sky blue	himmelblau	–	305155206	–	305013206	–	305165206	–	305180206
rouge pourpre	purple red	purpurrot	–	305155207	–	305013207	–	305165207	–	305180207
alu argenté	silver	silber	305155108	305155208	305013108	305013208	305165108	305165208	305180108	305180208
noir	black	schwarz	–	305155210	–	305013210	–	305165210	–	305180210
anthracite	anthracite	anthrazit	–	305155213	–	305013213	–	305165213	–	305180213
vert sapin	green fir	tannengrün	–	305155215	–	305013215	–	305165215	–	305180215
bleu azuré	azure blue	azurblau	–	305155216	–	305013216	–	305165216	–	305180216
jaune	yellow	gelb	–	305155220	–	305013220	–	305165220	–	305180220
crème	cream	cremeweiss	–	305155221	–	305013221	–	305165221	–	305180221
brun foncé	dark brown	dunkelbraun	305155122	305155222	305013122	305013222	305165122	305165222	305180122	305180222
ivoire claire	light ivory	hellelfenbein	–	305155223	–	305013223	–	305165223	–	305180223
beige foncé	dark beige	dunkelbeige	–	305155224	–	305013224	–	305165224	–	305180224
vert mousse	green moss	moosgrün	–	305155225	–	305013225	–	305165225	–	305180225
bleu foncé	dark blue	dunkelblau	–	305155226	–	305013226	–	305165226	–	305180226
bronze	bronze	bronze	–	305155229	–	305013229	–	305165229	–	305180229
Poids de 1 ml, kg			0,944		0,695		0,644		0,551	
• Weight per 1 m, kg • Gewicht je lfd.m, kg			0,944		0,695		0,644		0,551	
Longueur standardisée, m			6		6		6		6	
• Standard length, m • Produktionslänge, m			6		6		6		6	
Commande standardisée, m			36		36		36		36	
• Standard pack, m • Verpackungseinheit, m			36		36		36		36	

SB-P/20E | CAISSON EXTRUDÉ 20° | 20° EXTRUDED SHUTTER BOX | BLENDEKASTEN 20° STRANGGEPRESST

A=B=150 mm			SB-P/45E/1/150		SB-P/RE/3/150		SB-P/20E/2/150		SB-P/20E/3/150	
Coloris	Colour	Farbe	Surface structurée	Surface lisse	Surface structurée	Surface lisse	Surface structurée	Surface lisse	Surface structurée	Surface lisse
			Shagreen	Gloss	Shagreen	Gloss	Shagreen	Gloss	Shagreen	Gloss
			Oberfläche strukturiert	Oberfläche glänzend	Oberfläche strukturiert	Oberfläche glänzend	Oberfläche strukturiert	Oberfläche glänzend	Oberfläche strukturiert	Oberfläche glänzend
Code • Code • Code										
brut	mill-finished	blank	305157100		305016100		305166100		305181100	
blanc	white	weiß	305157101	305157201	305016101	305016201	305166101	305166201	305181101	305181201
brun	brown	braun	305157102	305157202	305016102	305016202	305166102	305166202	305181102	305181202
gris	grey	grau	305157103	305157203	305016103	305016203	305166103	305166203	305181103	305181203
beige	beige	beige	305157104	305157204	305016104	305016204	305166104	305166204	305181104	305181204
bleu ciel	sky blue	himmelblau	-	305157206	-	305016206	-	305166206	-	305181206
rouge pourpre	purple red	purpurrot	-	305157207	-	305016207	-	305166207	-	305181207
alu argenté	silver	silber	305157108	305157208	305016108	305016208	305166108	305166208	305181108	305181208
noir	black	schwarz	-	305157210	-	305016210	-	305166210	-	305181210
anthracite	anthracite	anthrazit	-	305157213	-	305016213	-	305166213	-	305181213
vert sapin	green fir	tannengrün	-	305157215	-	305016215	-	305166215	-	305181215
bleu azuré	azure blue	azurblau	-	305157216	-	305016216	-	305166216	-	305181216
jaune	yellow	gelb	-	305157220	-	305016220	-	305166220	-	305181220
crème	cream	cremeweiss	-	305157221	-	305016221	-	305166221	-	305181221
brun foncé	dark brown	dunkelbraun	305157122	305157222	305016122	305016222	305166122	305166222	305181122	305181222
ivoire claire	light ivory	hellelfenbein	-	305157223	-	305016223	-	305166223	-	305181223
beige foncé	dark beige	dunkelbeige	-	305157224	-	305016224	-	305166224	-	305181224
vert mousse	green moss	moosgrün	-	305157225	-	305016225	-	305166225	-	305181225
bleu foncé	dark blue	dunkelblau	-	305157226	-	305016226	-	305166226	-	305181226
bronze	bronze	bronze	-	305157229	-	305016229	-	305166229	-	305181229
Poids de 1 ml, kg • Weight per 1 m, kg • Gewicht je lfd.m, kg			1,014		0,85		0,71		0,622	
Longueur standardisée, m • Standard length, m • Produktionslänge, m			6		6		6		6	
Commande standardisée, m • Standard pack, m • Verpackungseinheit, m			36		36		36		36	

A=B=165 mm			SB-P/45E/1/165		SB-P/RE/3/165		SB-P/20E/2/165		SB-P/20E/3/165	
Coloris	Colour	Farbe	Surface structurée	Surface lisse	Surface structurée	Surface lisse	Surface structurée	Surface lisse	Surface structurée	Surface lisse
			Shagreen	Gloss	Shagreen	Gloss	Shagreen	Gloss	Shagreen	Gloss
			Oberfläche strukturiert	Oberfläche glänzend	Oberfläche strukturiert	Oberfläche glänzend	Oberfläche strukturiert	Oberfläche glänzend	Oberfläche strukturiert	Oberfläche glänzend
Code • Code • Code										
brut	mill-finished	blank	305159100		305019100		305167100		305182100	
blanc	white	weiß	305159101	305159201	305019101	305019201	305167101	305167201	305182101	305182201
brun	brown	braun	305159102	305159202	305019102	305019202	305167102	305167202	305182102	305182202
gris	grey	grau	305159103	305159203	305019103	305019203	305167103	305167203	305182103	305182203
beige	beige	beige	305159104	305159204	305019104	305019204	305167104	305167204	305182104	305182204
bleu ciel	sky blue	himmelblau	-	305159206	-	305019206	-	305167206	-	305182206
rouge pourpre	purple red	purpurrot	-	305159207	-	305019207	-	305167207	-	305182207
alu argenté	silver	silber	305159108	305159208	305019108	305019208	305167108	305167208	305182108	305182208
noir	black	schwarz	-	305159210	-	305019210	-	305167210	-	305182210
anthracite	anthracite	anthrazit	-	305159213	-	305019213	-	305167213	-	305182213
vert sapin	green fir	tannengrün	-	305159215	-	305019215	-	305167215	-	305182215
bleu azuré	azure blue	azurblau	-	305159216	-	305019216	-	305167216	-	305182216
jaune	yellow	gelb	-	305159220	-	305019220	-	305167220	-	305182220
crème	cream	cremeweiss	-	305159221	-	305019221	-	305167221	-	305182221
brun foncé	dark brown	dunkelbraun	305159122	305159222	305019122	305019222	305167122	305167222	305182122	305182222
ivoire claire	light ivory	hellelfenbein	-	305159223	-	305019223	-	305167223	-	305182223
beige foncé	dark beige	dunkelbeige	-	305159224	-	305019224	-	305167224	-	305182224
vert mousse	green moss	moosgrün	-	305159225	-	305019225	-	305167225	-	305182225
bleu foncé	dark blue	dunkelblau	-	305159226	-	305019226	-	305167226	-	305182226
bronze	bronze	bronze	-	305159229	-	305019229	-	305167229	-	305182229
Poids de 1 ml, kg • Weight per 1 m, kg • Gewicht je lfd.m, kg			1,095		0,914		0,787		0,703	
Longueur standardisée, m • Standard length, m • Produktionslänge, m			6		6		6		6	
Commande standardisée, m • Standard pack, m • Verpackungseinheit, m			30		30		30		30	

SB-P/20E | CAISSON EXTRUDÉ 20° | 20° EXTRUDED SHUTTER BOX | BLENDEKASTEN 20° STRANGGEPRESST

A=B=180 mm			SB-P/45E/1/180		SB-P/RE/3/180		SB-P/20E/2/180		SB-P/20E/3/180	
Coloris	Colour	Farbe	Surface structurée	Surface lisse	Surface structurée	Surface lisse	Surface structurée	Surface lisse	Surface structurée	Surface lisse
			Shagreen	Gloss	Shagreen	Gloss	Shagreen	Gloss	Shagreen	Gloss
			Oberfläche strukturiert	Oberfläche glänzend	Oberfläche strukturiert	Oberfläche glänzend	Oberfläche strukturiert	Oberfläche glänzend	Oberfläche strukturiert	Oberfläche glänzend
Code • Code • Code										
brut	mill-finished	blank	305161100		305022100		305168100		305183100	
blanc	white	weiß	305161101	305161201	305022101	305022201	305168101	305168201	305183101	305183201
brun	brown	braun	305161102	305161202	305022102	305022202	305168102	305168202	305183102	305183202
gris	grey	grau	305161103	305161203	305022103	305022203	305168103	305168203	305183103	305183203
beige	beige	beige	305161104	305161204	305022104	305022204	305168104	305168204	305183104	305183204
bleu ciel	sky blue	himmelblau	-	305161206	-	305022206	-	305168206	-	305183206
rouge pourpre	purple red	purpurrot	-	305161207	-	305022207	-	305168207	-	305183207
alu argenté	silver	silber	305161108	305161208	305022108	305022208	305168108	305168208	305183108	305183208
noir	black	schwarz	-	305161210	-	305022210	-	305168210	-	305183210
anthracite	anthracite	anthrazit	-	305161213	-	305022213	-	305168213	-	305183213
vert sapin	green fir	tannengrün	-	305161215	-	305022215	-	305168215	-	305183215
bleu azuré	azure blue	azurblau	-	305161216	-	305022216	-	305168216	-	305183216
jaune	yellow	gelb	-	305161220	-	305022220	-	305168220	-	305183220
crème	cream	cremeweiss	-	305161221	-	305022221	-	305168221	-	305183221
brun foncé	dark brown	dunkelbraun	305161122	305161222	305022122	305022222	305168122	305168222	305183122	305183222
ivoire claire	light ivory	hellelfenbein	-	305161223	-	305022223	-	305168223	-	305183223
beige foncé	dark beige	dunkelbeige	-	305161224	-	305022224	-	305168224	-	305183224
vert mousse	green moss	moosgrün	-	305161225	-	305022225	-	305168225	-	305183225
bleu foncé	dark blue	dunkelblau	-	305161226	-	305022226	-	305168226	-	305183226
bronze	bronze	bronze	-	305161229	-	305022229	-	305168229	-	305183229
Poids de 1 ml, kg • Weight per 1 m, kg • Gewicht je lfd.m, kg			1,176		1,009		0,845		0,789	
Longueur standardisée, m • Standard length, m • Produktionslänge, m			6		6		6		6	
Commande standardisée, m • Standard pack, m • Verpackungseinheit, m			30		30		30		30	

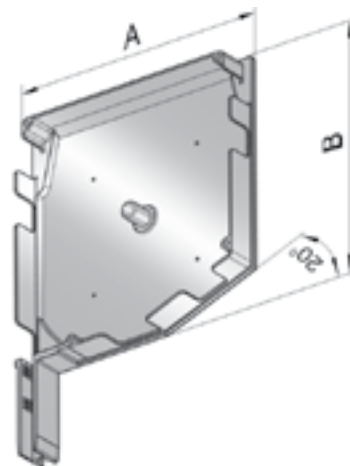
A=B=205 mm			SB-P/45E/1/205		SB-P/RE/3/205		SB-P/20E/2/205		SB-P/20E/3/205	
Coloris	Colour	Farbe	Surface structurée	Surface lisse	Surface structurée	Surface lisse	Surface structurée	Surface lisse	Surface structurée	Surface lisse
			Shagreen	Gloss	Shagreen	Gloss	Shagreen	Gloss	Shagreen	Gloss
			Oberfläche strukturiert	Oberfläche glänzend	Oberfläche strukturiert	Oberfläche glänzend	Oberfläche strukturiert	Oberfläche glänzend	Oberfläche strukturiert	Oberfläche glänzend
Code • Code • Code										
brut	mill-finished	blank	305163100		305025100		305169100		305184100	
blanc	white	weiß	305163101	305163201	305025101	305025201	305169101	305169201	305184101	305184201
brun	brown	braun	305163102	305163202	305025102	305025202	305169102	305169202	305184102	305184202
gris	grey	grau	305163103	305163203	305025103	305025203	305169103	305169203	305184103	305184203
beige	beige	beige	305163104	305163204	305025104	305025204	305169104	305169204	305184104	305184204
bleu ciel	sky blue	himmelblau	-	305163206	-	305025206	-	305169206	-	305184206
rouge pourpre	purple red	purpurrot	-	305163207	-	305025207	-	305169207	-	305184207
alu argenté	silver	silber	305163108	305163208	305025108	305025208	305169108	305169208	305184108	305184208
noir	black	schwarz	-	305163210	-	305025210	-	305169210	-	305184210
anthracite	anthracite	anthrazit	-	305163213	-	305025213	-	305169213	-	305184213
vert sapin	green fir	tannengrün	-	305163215	-	305025215	-	305169215	-	305184215
bleu azuré	azure blue	azurblau	-	305163216	-	305025216	-	305169216	-	305184216
jaune	yellow	gelb	-	305163220	-	305025220	-	305169220	-	305184220
crème	cream	cremeweiss	-	305163221	-	305025221	-	305169221	-	305184221
brun foncé	dark brown	dunkelbraun	305163122	305163222	305025122	305025222	305169122	305169222	305184122	305184222
ivoire claire	light ivory	hellelfenbein	-	305163223	-	305025223	-	305169223	-	305184223
beige foncé	dark beige	dunkelbeige	-	305163224	-	305025224	-	305169224	-	305184224
vert mousse	green moss	moosgrün	-	305163225	-	305025225	-	305169225	-	305184225
bleu foncé	dark blue	dunkelblau	-	305163226	-	305025226	-	305169226	-	305184226
bronze	bronze	bronze	-	305163229	-	305025229	-	305169229	-	305184229
Poids de 1 ml, kg • Weight per 1 m, kg • Gewicht je lfd.m, kg			1,311		1,201		0,966		0,926	
Longueur standardisée, m • Standard length, m • Produktionslänge, m			6		6		6		6	
Commande standardisée, m • Standard pack, m • Verpackungseinheit, m			24		24		24		24	

SF20 | JOUES LATÉRALES 20° | END CAPS 20° | BLENDEKAPPEN 20°

Fabriquée en aluminium, à utiliser avec les coulisses **GR53×22/eco**, **GR65×24E**, **GR45×22E**, **GR45×60E**, **GR53×22E**, **GR53×34E**, **GR53×42E**, **GR53×60E**, **GRM66×27E**, **GR45×34E**, **GR53×39E**, **GR60×21/SE**, **GR65×24/eco**, **M-GR53×39E**

Aluminium. For **GR53×22/eco**, **GR65×24E**, **GR45×22E**, **GR45×60E**, **GR53×22E**, **GR53×34E**, **GR53×42E**, **GR53×60E**, **GRM66×27E**, **GR45×34E**, **GR53×39E**, **GR60×21/SE**, **GR65×24/eco**, **M-GR53×39E** guide rails

Aluminium. Für Führungsschienen **GR53×22/eco**, **GR65×24E**, **GR45×22E**, **GR45×60E**, **GR53×22E**, **GR53×34E**, **GR53×42E**, **GR53×60E**, **GRM66×27E**, **GR45×34E**, **GR53×39E**, **GR60×21/SE**, **GR65×24/eco**, **M-GR53×39E**



			SF20/137		SF20/150		SF20/165	
Coloris	Colour	Farbe	Surface structurée	Surface lisse	Surface structurée	Surface lisse	Surface structurée	Surface lisse
			Shagreen	Gloss	Shagreen	Gloss	Shagreen	Gloss
			Oberfläche strukturiert	Oberfläche glänzend	Oberfläche strukturiert	Oberfläche glänzend	Oberfläche strukturiert	Oberfläche glänzend
			Code • Code • Code					
brut	mill-finished	blank	306010100		306011100		306012100	
blanc	white	weiß	306010101	306010201	306011101	306011201	306012101	306012201
brun	brown	braun	306010102	306010202	306011102	306011202	306012102	306012202
gris	grey	grau	306010103	306010203	306011103	306011203	306012103	306012203
beige	beige	beige	306010104	306010204	306011104	306011204	306012104	306012204
alu argenté	silver	silber	306010108	306010208	306011108	306011208	306012108	306012208
bleu ciel	sky blue	himmelblau	-	306010206	-	306011206	-	306012206
rouge pourpre	purple red	purpurrot	-	306010207	-	306011207	-	306012207
noir	black	schwarz	-	306010210	-	306011210	-	306012210
anthracite	anthracite	anthrazit	-	306010213	-	306011213	-	306012213
vert sapin	green fir	tannengrün	-	306010215	-	306011215	-	306012215
bleu azuré	azure blue	azurblau	-	306010216	-	306011216	-	306012216
jaune	yellow	gelb	-	306010220	-	306011220	-	306012220
crème	cream	cremeweiss	-	306010221	-	306011221	-	306012221
brun foncé	dark brown	dunkelbraun	306010122	306010222	306011122	306011222	306012122	306012222
ivoire claire	light ivory	hellelfenbein	-	306010223	-	306011223	-	306012223
beige foncé	dark beige	dunkelbeige	-	306010224	-	306011224	-	306012224
vert mousse	green moss	moosgrün	-	306010225	-	306011225	-	306012225
bleu foncé	dark blue	dunkelblau	-	306010226	-	306011226	-	306012226
bronze	bronze	bronze	-	306010229	-	306011229	-	306012229
Poids d'une paire, kg			0,211		0,240		0,274	
• Weight per 1 pair, kg • Gewicht pro Paar, kg			0,211		0,240		0,274	
Commande standardisée, paire			13		10		10	
• Standard pack, pair • Verpackungseinheit, Paar			13		10		10	
A, mm			137		150		165	
B, mm			137		150		165	

SF20 | JOUES LATÉRALES 20° | END CAPS 20° | BLENDEKAPPEN 20°

Fabriquée en aluminium, à utiliser avec les coulisses **GR65×24E, GR45×22E, GR45×60E, GR53×22E, GR53×34E, GR53×42E, GR53×60E, GRM66×27E, GR45×34E, GR53×39E, GR60×21/SE, GR65×24/eco, M-GR53×39E**

Aluminium. For **GR65×24E, GR45×22E, GR45×60E, GR53×22E, GR53×34E, GR53×42E, GR53×60E, GRM66×27E, GR45×34E, GR53×39E, GR60×21/SE, GR65×24/eco, M-GR53×39E** guide rails

Aluminium. Für Führungsschienen **GR65×24E, GR45×22E, GR45×60E, GR53×22E, GR53×34E, GR53×42E, GR53×60E, GRM66×27E, GR45×34E, GR53×39E, GR60×21/SE, GR65×24/eco, M-GR53×39E**



SF20/180

SF20/205

Coloris	Colour	Farbe	Surface structurée	Surface lisse	Surface structurée	Surface lisse
			Shagreen	Gloss	Shagreen	Gloss
			Oberfläche strukturiert	Oberfläche glänzend	Oberfläche strukturiert	Oberfläche glänzend
Code • Code • Code						
brut	mill-finished	blank	306013100		306014100	
blanc	white	weiß	306013101	306013201	306014101	306014201
brun	brown	braun	306013102	306013202	306014102	306014202
gris	grey	grau	306013103	306013203	306014103	306014203
beige	beige	beige	306013104	306013204	306014104	306014204
alu argenté	silver	silber	306013108	306013208	306014108	306014208
bleu ciel	sky blue	himmelblau	-	306013206	-	306014206
rouge pourpre	purple red	purpurrot	-	306013207	-	306014207
noir	black	schwarz	-	306013210	-	306014210
anthracite	anthracite	anthrazit	-	306013213	-	306014213
vert sapin	green fir	tannengrün	-	306013215	-	306014215
bleu azuré	azure blue	azurblau	-	306013216	-	306014216
jaune	yellow	gelb	-	306013220	-	306014220
crème	cream	cremeweiss	-	306013221	-	306014221
brun foncé	dark brown	dunkelbraun	306013122	306013222	306014122	306014222
ivoire claire	light ivory	hellelfenbein	-	306013223	-	306014223
beige foncé	dark beige	dunkelbeige	-	306013224	-	306014224
vert mousse	green moss	moosgrün	-	306013225	-	306014225
bleu foncé	dark blue	dunkelblau	-	306013226	-	306014226
bronze	bronze	bronze	-	306013229	-	306014229
Poids d'une paire, kg			0,305		0,370	
• Weight per 1 pair, kg • Gewicht pro Paar, kg			0,305		0,370	
Commande standardisée, paire			10		10	
• Standard pack, pair • Verpackungseinheit, Paar			10		10	
A, mm			180		205	
B, mm			180		205	

Caissons et joues latérales demi-ronds

Round shutter boxes and end caps

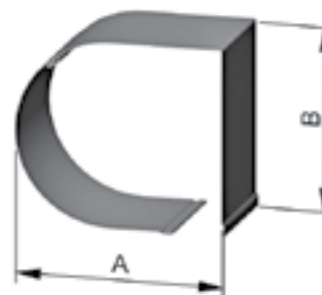
Halbrunde Blendenkästen und Blendenkappen

SB-R | CAISSON DEMI-ROND | SHUTTER BOX ROUND | BLENDENKASTEN HALBRUND

Profilé en aluminium, en deux parties, avec un film de protection

Aluminium, roll formed, consists of 2 parts, with protective film

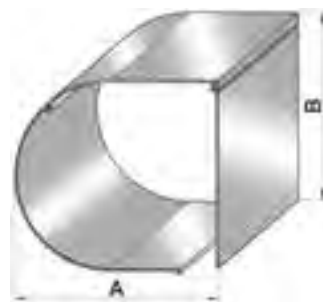
Aluminium, rollgeformt, besteht aus 2 Teilen, mit Schutzfolie



Coloris	Colour	Farbe	SB-R/137	SB-R/150	SB-R/165	SB-R/180	SB-R/205
Code • Code • Code							
blanc	white	weiß	305112201	305113201	305114201	305115201	305116201
brun	brown	braun	305112202	305113202	305114202	305115202	305116202
gris	grey	grau	305112203	305113203	305114203	305115203	305116203
beige	beige	beige	305112204	305113204	305114204	305115204	305116204
alu argenté	silver	silber	305112208	305113208	305114208	305115208	305116208
anthracite	anthracite	anthrazit	305112213	305113213	305114213	305115213	305116213
crème	cream	cremeweiss	305112221	305113221	305114221	305115221	305116221
brun foncé	dark brown	dunkelbraun	305112222	305113222	305114222	305115222	305116222
chêne doré	golden oak	goldene Eiche	-	-	-	305115219	305116219
Poids de 1 ml, kg • Weight per 1 m, kg • Gewicht je lfd.m, kg			1,1	1,19	1,31	1,43	1,83
Longueur standardisée, m • Standard length, m • Produktionslänge, m			6	6	6	6	6
Commande standardisée, m • Standard pack, m • Verpackungseinheit, m			30	30	30	30	18
A, mm			155	167	183	197	214
B, mm			141	154	168	184	209

SB-P/RE/137 | CAISSON DEMI-ROND | SHUTTER BOX ROUND | BLENDENKASTEN HALBRUND

Extrudé en aluminium, en trois parties
Aluminium, extruded, consists of 3 parts
Aluminium, stranggepresst, besteht aus 3 Teilen



SB-P/RE/1



SB-P/RE/2



SB-P/RE/3

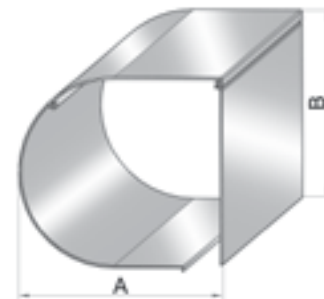
SB-P/RE/137 A=155 mm, B=141 mm			SB-P/RE/1/137		SB-P/RE/2/137		SB-P/RE/3/137	
			Surface structurée Shagreen Oberfläche strukturiert	Surface lisse Gloss Oberfläche glänzend	Surface structurée Shagreen Oberfläche strukturiert	Surface lisse Gloss Oberfläche glänzend	Surface structurée Shagreen Oberfläche strukturiert	Surface lisse Gloss Oberfläche glänzend
Coloris	Colour	Farbe	Code • Code • Code					
brut	mill-finished	blank	305011100		305012100		305013100	
blanc	white	weiß	305011101	305011201	305012101	305012201	305013101	305013201
brun	brown	braun	305011102	305011202	305012102	305012202	305013102	305013202
gris	grey	grau	305011103	305011203	305012103	305012203	305013103	305013203
beige	beige	beige	305011104	305011204	305012104	305012204	305013104	305013204
alu argenté	silver	silber	305011108	305011208	305012108	305012208	305013108	305013208
bleu ciel	sky blue	himmelblau	-	305011206	-	305012206	-	305013206
rouge pourpre	purple red	purpurrot	-	305011207	-	305012207	-	305013207
noir	black	schwarz	-	305011210	-	305012210	-	305013210
anthracite	anthracite	anthrazit	-	305011213	-	305012213	-	305013213
vert sapin	green fir	tannengrün	-	305011215	-	305012215	-	305013215
bleu azuré	azure blue	azurblau	-	305011216	-	305012216	-	305013216
jaune	yellow	gelb	-	305011220	-	305012220	-	305013220
crème	cream	cremeweiss	-	305011221	-	305012221	-	305013221
brun foncé	dark brown	dunkelbraun	305011122	305011222	305012122	305012222	305013122	305013222
ivoire claire	light ivory	hellelfenbein	-	305011223	-	305012223	-	305013223
beige foncé	dark beige	dunkelbeige	-	305011224	-	305012224	-	305013224
vert mousse	green moss	moosgrün	-	305011225	-	305012225	-	305013225
bleu foncé	dark blue	dunkelblau	-	305011226	-	305012226	-	305013226
bronze	bronze	bronze	-	305011229	-	305012229	-	305013229
Poids de 1 ml, kg • Weight per 1 m, kg • Gewicht je lfd.m, kg			0,926		1,313		0,778	
Longueur standardisée, m • Standard length, m • Produktionslänge, m			7		6		6	
Commande standardisée, m • Standard pack, m • Verpackungseinheit, m			36		36		36	

SB-P/RE/150 | CAISSON DEMI-ROND | SHUTTER BOX ROUND | BLENDEKASTEN HALBRUND

Extrudé en aluminium, en trois parties

Aluminium, extruded, consists of 3 parts

Aluminium, stranggepresst, besteht aus 3 Teilen



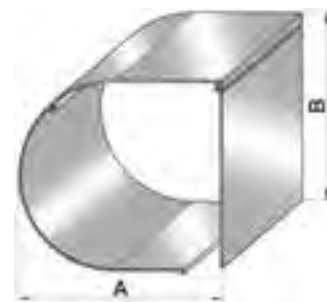
SB-P/RE/150 A=167 mm, B=154 mm			SB-P/RE/1/150		SB-P/RE/2/150		SB-P/RE/3/150	
			Surface structurée Shagreen Oberfläche strukturiert	Surface lisse Gloss Oberfläche glänzend	Surface structurée Shagreen Oberfläche strukturiert	Surface lisse Gloss Oberfläche glänzend	Surface structurée Shagreen Oberfläche strukturiert	Surface lisse Gloss Oberfläche glänzend
Coloris	Colour	Farbe	Code • Code • Code					
brut	mill-finished	blank	305014100		305015100		305016100	
blanc	white	weiß	305014101	305014201	305015101	305015201	305016101	305016201
brun	brown	braun	305014102	305014202	305015102	305015202	305016102	305016202
gris	grey	grau	305014103	305014203	305015103	305015203	305016103	305016203
beige	beige	beige	305014104	305014204	305015104	305015204	305016104	305016204
alu argenté	silver	silber	305014108	305014208	305015108	305015208	305016108	305016208
bleu ciel	sky blue	himmelblau	-	305014206	-	305015206	-	305016206
rouge pourpre	purple red	purpurrot	-	305014207	-	305015207	-	305016207
noir	black	schwarz	-	305014210	-	305015210	-	305016210
anthracite	anthracite	anthrazit	-	305014213	-	305015213	-	305016213
vert sapin	green fir	tannengrün	-	305014215	-	305015215	-	305016215
bleu azuré	azure blue	azurblau	-	305014216	-	305015216	-	305016216
jaune	yellow	gelb	-	305014220	-	305015220	-	305016220
crème	cream	cremeweiss	-	305014221	-	305015221	-	305016221
brun foncé	dark brown	dunkelbraun	305014122	305014222	305015122	305015222	305016122	305016222
ivoire claire	light ivory	hell elfenbein	-	305014223	-	305015223	-	305016223
beige foncé	dark beige	dunkelbeige	-	305014224	-	305015224	-	305016224
vert mousse	green moss	moosgrün	-	305014225	-	305015225	-	305016225
bleu foncé	dark blue	dunkelblau	-	305014226	-	305015226	-	305016226
bronze	bronze	bronze	-	305014229	-	305015229	-	305016229
Poids de 1 ml, kg • Weight per 1 m, kg • Gewicht je lfd.m, kg			1,001		1,400		0,855	
Longueur standardisée, m • Standard length, m • Produktionslänge, m			6		6		6	
Commande standardisée, m • Standard pack, m • Verpackungseinheit, m			36		36		36	

SB-P/RE/165 | CAISSON DEMI-ROND | SHUTTER BOX ROUND | BLENDEKASTEN HALBRUND

Extrudé en aluminium, en trois parties

Aluminium, extruded, consists of 3 parts

Aluminium, stranggepresst, besteht aus 3 Teilen



SB-P/RE/1



SB-P/RE/2

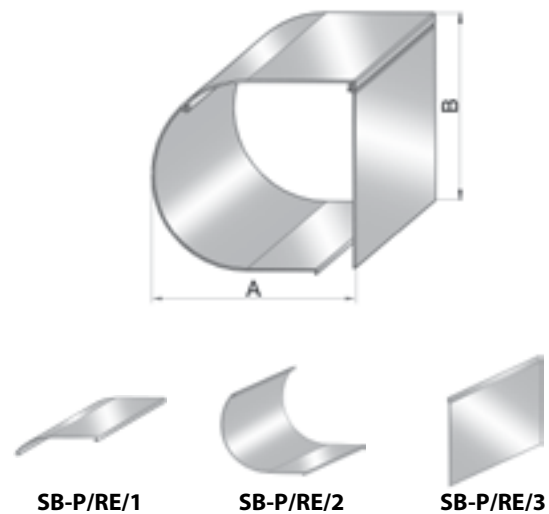


SB-P/RE/3

SB-P/RE/165 A=183 mm, B=168 mm			SB-P/RE/1/165		SB-P/RE/2/165		SB-P/RE/3/165	
			Surface structurée Shagreen Oberfläche strukturiert	Surface lisse Gloss Oberfläche glänzend	Surface structurée Shagreen Oberfläche strukturiert	Surface lisse Gloss Oberfläche glänzend	Surface structurée Shagreen Oberfläche strukturiert	Surface lisse Gloss Oberfläche glänzend
Coloris	Colour	Farbe	Code • Code • Code					
brut	mill-finished	blank	305017100		305018100		305019100	
blanc	white	weiß	305017101	305017201	305018101	305018201	305019101	305019201
brun	brown	braun	305017102	305017202	305018102	305018202	305019102	305019202
gris	grey	grau	305017103	305017203	305018103	305018203	305019103	305019203
beige	beige	beige	305017104	305017204	305018104	305018204	305019104	305019204
alu argenté	silver	silber	305017108	305017208	305018108	305018208	305019108	305019208
bleu ciel	sky blue	himmelblau	-	305017206	-	305018206	-	305019206
rouge pourpre	purple red	purpurrot	-	305017207	-	305018207	-	305019207
noir	black	schwarz	-	305017210	-	305018210	-	305019210
anthracite	anthracite	anthrazit	-	305017213	-	305018213	-	305019213
vert sapin	green fir	tannengrün	-	305017215	-	305018215	-	305019215
bleu azuré	azure blue	azurblau	-	305017216	-	305018216	-	305019216
jaune	yellow	gelb	-	305017220	-	305018220	-	305019220
crème	cream	cremeweiss	-	305017221	-	305018221	-	305019221
brun foncé	dark brown	dunkelbraun	305017122	305017222	305018122	305018222	305019122	305019222
ivoire claire	light ivory	hellelfenbein	-	305017223	-	305018223	-	305019223
beige foncé	dark beige	dunkelbeige	-	305017224	-	305018224	-	305019224
vert mousse	green moss	moosgrün	-	305017225	-	305018225	-	305019225
bleu foncé	dark blue	dunkelblau	-	305017226	-	305018226	-	305019226
bronze	bronze	bronze	-	305017229	-	305018229	-	305019229
Poids de 1 ml, kg • Weight per 1 m, kg • Gewicht je lfd.m, kg			1,093		1,540		0,936	
Longueur standardisée, m • Standard length, m • Produktionslänge, m			6		6		6	
Commande standardisée, m • Standard pack, m • Verpackungseinheit, m			30		30		30	

SB-P/RE/180 | CAISSON DEMI-ROND | SHUTTER BOX ROUND | BLENDEKASTEN HALBRUND

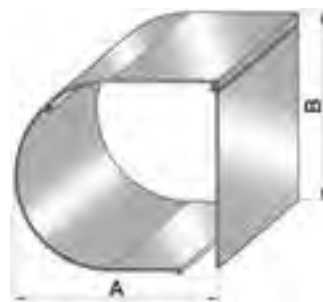
Extrudé en aluminium, en trois parties
 Aluminium, extruded, consists of 3 parts
 Aluminium, stranggepresst, besteht aus 3 Teilen



SB-P/RE/180 A=197 mm, B=184 mm			SB-P/RE/1/180		SB-P/RE/2/180		SB-P/RE/3/180	
			Surface structurée Shagreen Oberfläche strukturiert	Surface lisse Gloss Oberfläche glänzend	Surface structurée Shagreen Oberfläche strukturiert	Surface lisse Gloss Oberfläche glänzend	Surface structurée Shagreen Oberfläche strukturiert	Surface lisse Gloss Oberfläche glänzend
Coloris	Colour	Farbe	Code • Code • Code					
brut	mill-finished	blank	305020100		305021100		305022100	
blanc	white	weiß	305020101	305020201	305021101	305021201	305022101	305022201
brun	brown	braun	305020102	305020202	305021102	305021202	305022102	305022202
gris	grey	grau	305020103	305020203	305021103	305021203	305022103	305022203
beige	beige	beige	305020104	305020204	305021104	305021204	305022104	305022204
alu argenté	silver	silber	305020108	305020208	305021108	305021208	305022108	305022208
bleu ciel	sky blue	himmelblau	-	305020206	-	305021206	-	305022206
rouge pourpre	purple red	purpurrot	-	305020207	-	305021207	-	305022207
noir	black	schwarz	-	305020210	-	305021210	-	305022210
anthracite	anthracite	anthrazit	-	305020213	-	305021213	-	305022213
vert sapin	green fir	tannengrün	-	305020215	-	305021215	-	305022215
bleu azuré	azure blue	azurblau	-	305020216	-	305021216	-	305022216
jaune	yellow	gelb	-	305020220	-	305021220	-	305022220
crème	cream	cremeweiss	-	305020221	-	305021221	-	305022221
brun foncé	dark brown	dunkelbraun	305020122	305020222	305021122	305021222	305022122	305022222
ivoire claire	light ivory	hell elfenbein	-	305020223	-	305021223	-	305022223
beige foncé	dark beige	dunkelbeige	-	305020224	-	305021224	-	305022224
vert mousse	green moss	moosgrün	-	305020225	-	305021225	-	305022225
bleu foncé	dark blue	dunkelblau	-	305020226	-	305021226	-	305022226
bronze	bronze	bronze	-	305020229	-	305021229	-	305022229
Poids de 1 ml, kg • Weight per 1 m, kg • Gewicht je lfd.m, kg			1,156		1,684		1,026	
Longueur standardisée, m • Standard length, m • Produktionslänge, m			6		6		6	
Commande standardisée, m • Standard pack, m • Verpackungseinheit, m			30		30		30	

SB-P/RE/205 | CAISSON DEMI-ROND | SHUTTER BOX ROUND | BLENDENKASTEN HALBRUND

Extrudé en aluminium, en trois parties
Aluminium, extruded, consists of 3 parts
Aluminium, stranggepresst, besteht aus 3 Teilen



SB-P/RE/1



SB-P/RE/2



SB-P/RE/3

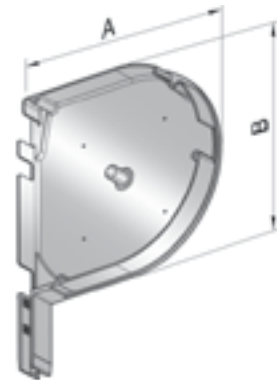
SB-P/RE/205 A=214 mm, B=209 mm			SB-P/RE/1/205		SB-P/RE/2/205		SB-P/RE/3/205	
			Surface structurée Shagreen Oberfläche strukturiert	Surface lisse Gloss Oberfläche glänzend	Surface structurée Shagreen Oberfläche strukturiert	Surface lisse Gloss Oberfläche glänzend	Surface structurée Shagreen Oberfläche strukturiert	Surface lisse Gloss Oberfläche glänzend
Coloris	Colour	Farbe	Code • Code • Code					
brut	mill-finished	blank	305023100		305024100		305025100	
blanc	white	weiß	305023101	305023201	305024101	305024201	305025101	305025201
brun	brown	braun	305023102	305023202	305024102	305024202	305025102	305025202
gris	grey	grau	305023103	305023203	305024103	305024203	305025103	305025203
beige	beige	beige	305023104	305023204	305024104	305024204	305025104	305025204
alu argenté	silver	silber	305023108	305023208	305024108	305024208	305025108	305025208
bleu ciel	sky blue	himmelblau	-	305023206	-	305024206	-	305025206
rouge pourpre	purple red	purpurrot	-	305023207	-	305024207	-	305025207
noir	black	schwarz	-	305023210	-	305024210	-	305025210
anthracite	anthracite	anthrazit	-	305023213	-	305024213	-	305025213
vert sapin	green fir	tannengrün	-	305023215	-	305024215	-	305025215
bleu azuré	azure blue	azurblau	-	305023216	-	305024216	-	305025216
jaune	yellow	gelb	-	305023220	-	305024220	-	305025220
crème	cream	cremeweiss	-	305023221	-	305024221	-	305025221
brun foncé	dark brown	dunkelbraun	305023122	305023222	305024122	305024222	305025122	305025222
ivoire claire	light ivory	hell elfenbein	-	305023223	-	305024223	-	305025223
beige foncé	dark beige	dunkelbeige	-	305023224	-	305024224	-	305025224
vert mousse	green moss	moosgrün	-	305023225	-	305024225	-	305025225
bleu foncé	dark blue	dunkelblau	-	305023226	-	305024226	-	305025226
bronze	bronze	bronze	-	305023229	-	305024229	-	305025229
Poids de 1 ml, kg • Weight per 1 m, kg • Gewicht je lfd.m, kg			1,201		1,916		1,170	
Longueur standardisée, m • Standard length, m • Produktionslänge, m			6		6		6	
Commande standardisée, m • Standard pack, m • Verpackungseinheit, m			24		24		24	

SF-R | JOUES LATÉRALES DEMI-RONDES | END CAPS ROUND | BLENDEKAPPEN HALBRUND

Fabriquée en aluminium, à utiliser avec les coulisses **GR53×22/eco, GR65×24E, GR45×22E, GR45×60E, GR53×22E, GR53×34E, GR53×42E, GR53×60E, GRM66×27E, GR45×34E, GR53×39E, GR60×21/SE, GR65×24/eco, M-GR53×39E**

Aluminium. For **GR53×22/eco, GR65×24E, GR45×22E, GR45×60E, GR53×22E, GR53×34E, GR53×42E, GR53×60E, GRM66×27E, GR45×34E, GR53×39E, GR60×21/SE, GR65×24/eco, M-GR53×39E** guide rails

Aluminium. Für Führungsschienen **GR53×22/eco, GR65×24E, GR45×22E, GR45×60E, GR53×22E, GR53×34E, GR53×34E, GR53×42E, GR53×60E, GRM66×27E, GR45×34E, GR53×39E, GR60×21/SE, GR65×24/eco, M-GR53×39E**



			SF-R/137		SF-R/150		SF-R/165	
Coloris	Colour	Farbe	Surface structurée	Surface lisse	Surface structurée	Surface lisse	Surface structurée	Surface lisse
			Shagreen	Gloss	Shagreen	Gloss	Shagreen	Gloss
			Oberfläche strukturiert	Oberfläche glänzend	Oberfläche strukturiert	Oberfläche glänzend	Oberfläche strukturiert	Oberfläche glänzend
			Code • Code • Code					
brut	mill-finished	blank	306015100		306016100		306017100	
blanc	white	weiß	306015101	306015201	306016101	306016201	306017101	306017201
brun	brown	braun	306015102	306015202	306016102	306016202	306017102	306017202
gris	grey	grau	306015103	306015203	306016103	306016203	306017103	306017203
beige	beige	beige	306015104	306015204	306016104	306016204	306017104	306017204
alu argenté	silver	silber	306015108	306015208	306016108	306016208	306017108	306017208
bleu ciel	sky blue	himmelblau	-	306015206	-	306016206	-	306017206
rouge pourpre	purple red	purpurrot	-	306015207	-	306016207	-	306017207
noir	black	schwarz	-	306015210	-	306016210	-	306017210
anthracite	anthracite	anthrazit	-	306015213	-	306016213	-	306017213
vert sapin	green fir	tannengrün	-	306015215	-	306016215	-	306017215
bleu azuré	azure blue	azurblau	-	306015216	-	306016216	-	306017216
jaune	yellow	gelb	-	306015220	-	306016220	-	306017220
crème	cream	cremeweiss	-	306015221	-	306016221	-	306017221
brun foncé	dark brown	dunkelbraun	306015122	306015222	306016122	306016222	306017122	306017222
ivoire claire	light ivory	hellelfenbein	-	306015223	-	306016223	-	306017223
beige foncé	dark beige	dunkelbeige	-	306015224	-	306016224	-	306017224
vert mousse	green moss	moosgrün	-	306015225	-	306016225	-	306017225
bleu foncé	dark blue	dunkelblau	-	306015226	-	306016226	-	306017226
bronze	bronze	bronze	-	306015229	-	306016229	-	306017229
Poids d'une paire, kg			0,222		0,250		0,284	
• Weight per 1 pair, kg • Gewicht pro Paar, kg			0,222		0,250		0,284	
Commande standardisée, paire			10		10		10	
• Standard pack, pair • Verpackungseinheit, Paar			10		10		10	
A, mm			155		167		183	
B, mm			141		154		168	

SF-R | JOUES LATÉRALES DEMI-RONDES | END CAPS ROUND | BLENDEKAPPEN HALBRUND

Fabriquée en aluminium, à utiliser avec les coulisses **GR53×22/eco, GR65×24E, GR45×22E, GR45×60E, GR53×22E, GR53×34E, GR53×42E, GR53×60E, GRM66×27E, GR45×34E, GR53×39E, GR60×21/SE, GR65×24/eco, M-GR53×39E**

Aluminium. For **GR53×22/eco, GR65×24E, GR45×22E, GR45×60E, GR53×22E, GR53×34E, GR53×42E, GR53×60E, GRM66×27E, GR45×34E, GR53×39E, GR60×21/SE, GR65×24/eco, M-GR53×39E** guide rails

Aluminium. Für Führungsschienen **GR53×22/eco, GR65×24E, GR45×22E, GR45×60E, GR53×22E, GR53×34E, GR53×42E, GR53×60E, GRM66×27E, GR45×34E, GR53×39E, GR60×21/SE, GR65×24/eco, M-GR53×39E**



SF-R/180

SF-R/205

Coloris	Colour	Farbe	Surface structurée	Surface lisse	Surface structurée	Surface lisse
			Shagreen Oberfläche strukturiert	Gloss Oberfläche glänzend	Shagreen Oberfläche strukturiert	Gloss Oberfläche glänzend
			Code • Code • Code			
brut	mill-finished	blank	306018100		306019100	
blanc	white	weiß	306018101	306018201	306019101	306019201
brun	brown	braun	306018102	306018202	306019102	306019202
gris	grey	grau	306018103	306018203	306019103	306019203
beige	beige	beige	306018104	306018204	306019104	306019204
alu argenté	silver	silber	306018108	306018208	306019108	306019208
bleu ciel	sky blue	himmelblau	–	306018206	–	306019206
rouge pourpre	purple red	purpurrot	–	306018207	–	306019207
noir	black	schwarz	–	306018210	–	306019210
anthracite	anthracite	anthrazit	–	306018213	–	306019213
vert sapin	green fir	tannengrün	–	306018215	–	306019215
bleu azuré	azure blue	azurblau	–	306018216	–	306019216
jaune	yellow	gelb	–	306018220	–	306019220
crème	cream	cremeweiss	–	306018221	–	306019221
brun foncé	dark brown	dunkelbraun	306018122	306018222	306019122	306019222
ivoire claire	light ivory	hellelfenbein	–	306018223	–	306019223
beige foncé	dark beige	dunkelbeige	–	306018224	–	306019224
vert mousse	green moss	moosgrün	–	306018225	–	306019225
bleu foncé	dark blue	dunkelblau	–	306018226	–	306019226
bronze	bronze	bronze	–	306018229	–	306019229
chêne doré	golden oak	goldene Eiche	306018119	–	306019119	–
Poids d'une paire, kg			0,317		0,378	
• Weight per 1 pair, kg • Gewicht pro Paar, kg						
Commande standardisée, paire			10		7	
• Standard pack, pair • Verpackungseinheit, Paar						
A, mm			197		214	
B, mm			184		209	

Caissons et joues latérales quart de rond

Shutter boxes and end caps quarter-round

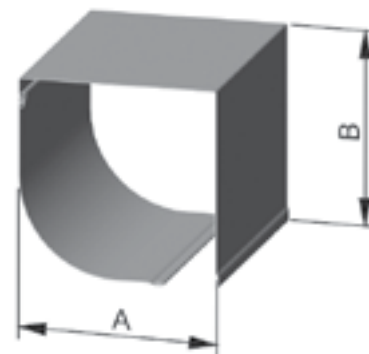
Viertelrunde Blendenkästen und Blendenkappen

SB-QR | CAISSON QUART DE ROND | SHUTTER BOX QUARTER-ROUND | BLENDENKASTEN VIERTELROUND

Fabriqué en feuillard alu, profilé, en deux parties. À utiliser avec les joues latérales série **SF-QR**

Aluminium, roll formed, consists of 2 parts, with protective film. To be used with end caps **SF-QR**

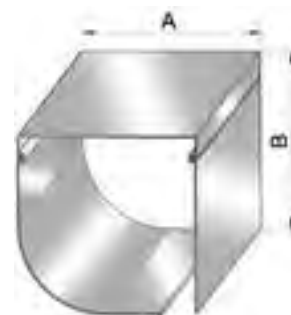
Aluminium, rollgeformt. Besteht aus 2 Teilen, mit Schutzfolie. Wird zusammen mit Blendenkappen Serie **SF-QR** verwendet



Coloris	Colour	Farbe	SB-QR/137	SB-QR/150	SB-QR/165	SB-QR/180	SB-QR/205
Code • Code • Code							
blanc	white	weiß	305117201	305118201	305119201	305120201	305121201
brun	brown	braun	305117202	305118202	305119202	305120202	305121202
gris	grey	grau	305117203	305118203	305119203	305120203	305121203
beige	beige	beige	305117204	305118204	305119204	305120204	305121204
alu argenté	silver	silber	305117208	305118208	305119208	305120208	305121208
anthracite	anthracite	anthrazit	305117213	305118213	305119213	305120213	305121213
crème	cream	cremeweiss	305117221	305118221	305119221	305120221	305121221
brun foncé	dark brown	dunkelbraun	305117222	305118222	305119222	305120222	305121222
chêne doré	golden oak	goldene Eiche	–	–	–	305120219	305121219
chêne irlandais	irish oak	Eiche hell	–	–	–	305120239	305121239
Poids de 1 ml, kg • Weight per 1 m, kg • Gewicht je lfd.m, kg			1,36	1,48	1,63	1,79	2,03
Longueur standardisée, m • Standard length, m • Produktionslänge, m			6	6	6	6	6
Commande standardisée, m • Standard pack, m • Verpackungseinheit, m			30	30	30	30	18
A, mm			137	150	165	180	205
B, mm			137	150	165	180	205

SB-P/QRE/150 | CAISSON QUART DE ROND | SHUTTER BOX QUARTER-ROUND | BLENDEKASTEN VIERTELROUND

Extrudé en aluminium, en trois parties
Aluminium, extruded, consists of 3 parts
Aluminium, stranggepresst, besteht aus 3 Teilen



SB-P/QRE/1



SB-P/QRE/2



SB-P/RE/3

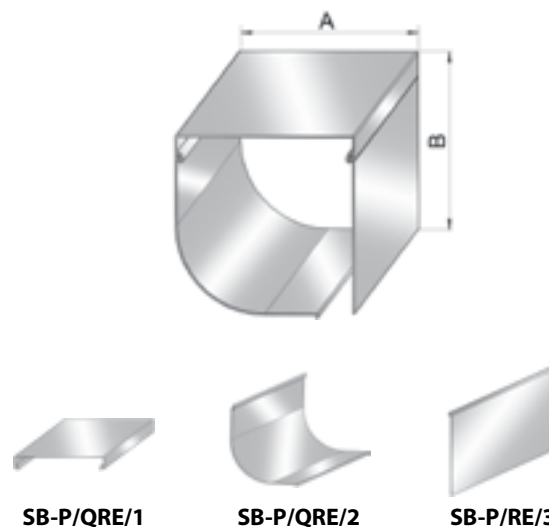
SB-P/QRE/150 A=150 mm, B=150 mm			SB-P/QRE/1/150		SB-P/QRE/2/150		SB-P/RE/3/150	
			Surface structurée Shagreen Oberfläche strukturiert	Surface lisse Gloss Oberfläche glänzend	Surface structurée Shagreen Oberfläche strukturiert	Surface lisse Gloss Oberfläche glänzend	Surface structurée Shagreen Oberfläche strukturiert	Surface lisse Gloss Oberfläche glänzend
Coloris	Colour	Farbe	Code • Code • Code					
brut	mill-finished	blank	305029100		305030100		305016100	
blanc	white	weiß	305029101	305029201	305030101	305030201	305016101	305016201
brun	brown	braun	305029102	305029202	305030102	305030202	305016102	305016202
gris	grey	grau	305029103	305029203	305030103	305030203	305016103	305016203
beige	beige	beige	305029104	305029204	305030104	305030204	305016104	305016204
alu argenté	silver	silber	305029108	305029208	305030108	305030208	305016108	305016208
bleu ciel	sky blue	himmelblau	-	305029206	-	305030206	-	305016206
rouge pourpre	purple red	purpurrot	-	305029207	-	305030207	-	305016207
noir	black	schwarz	-	305029210	-	305030210	-	305016210
anthracite	anthracite	anthrazit	-	305029213	-	305030213	-	305016213
vert sapin	green fir	tannengrün	-	305029215	-	305030215	-	305016215
bleu azuré	azure blue	azurblau	-	305029216	-	305030216	-	305016216
jaune	yellow	gelb	-	305029220	-	305030220	-	305016220
crème	cream	cremeweiss	-	305029221	-	305030221	-	305016221
brun foncé	dark brown	dunkelbraun	305029122	305029222	305030122	305030222	305016122	305016222
ivoire claire	light ivory	hellelfenbein	-	305029223	-	305030223	-	305016223
beige foncé	dark beige	dunkelbeige	-	305029224	-	305030224	-	305016224
vert mousse	green moss	moosgrün	-	305029225	-	305030225	-	305016225
bleu foncé	dark blue	dunkelblau	-	305029226	-	305030226	-	305016226
bronze	bronze	bronze	-	305029229	-	305030229	-	305016229
Poids de 1 ml, kg • Weight per 1 m, kg • Gewicht je lfd.m, kg			1,202		1,228		0,855	
Longueur standardisée, m • Standard length, m • Produktionslänge, m			6		6		6	
Commande standardisée, m • Standard pack, m • Verpackungseinheit, m			36		36		36	

SB-P/QRE/180 | CAISSON QUART DE ROND | SHUTTER BOX QUARTER-ROUND | BLENDEKASTEN VIERTELRUND

Extrudé en aluminium, en trois parties

Aluminium, extruded, consists of 3 parts

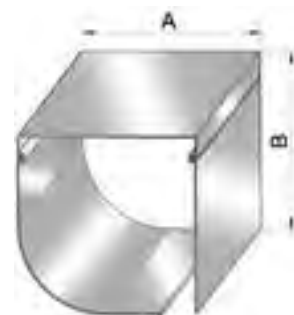
Aluminium, stranggepresst, besteht aus 3 Teilen



SB-P/QRE/180 A=180 mm, B=180 mm			SB-P/QRE/1/180		SB-P/QRE/2/180		SB-P/RE/3/180	
			Surface structurée Shagreen Oberfläche strukturiert	Surface lisse Gloss Oberfläche glänzend	Surface structurée Shagreen Oberfläche strukturiert	Surface lisse Gloss Oberfläche glänzend	Surface structurée Shagreen Oberfläche strukturiert	Surface lisse Gloss Oberfläche glänzend
Coloris	Colour	Farbe	Code • Code • Code					
brut	mill-finished	blank	305035100		305036100		305022100	
blanc	white	weiß	305035101	305035201	305036101	305036201	305022101	305022201
brun	brown	braun	305035102	305035202	305036102	305036202	305022102	305022202
gris	grey	grau	305035103	305035203	305036103	305036203	305022103	305022203
beige	beige	beige	305035104	305035204	305036104	305036204	305022104	305022204
alu argenté	silver	silber	305035108	305035208	305036108	305036208	305022108	305022208
bleu ciel	sky blue	himmelblau	-	305035206	-	305036206	-	305022206
rouge pourpre	purple red	purpurrot	-	305035207	-	305036207	-	305022207
noir	black	schwarz	-	305035210	-	305036210	-	305022210
anthracite	anthracite	anthrazit	-	305035213	-	305036213	-	305022213
vert sapin	green fir	tannengrün	-	305035215	-	305036215	-	305022215
bleu azuré	azure blue	azurblau	-	305035216	-	305036216	-	305022216
jaune	yellow	gelb	-	305035220	-	305036220	-	305022220
crème	cream	cremeweiss	-	305035221	-	305036221	-	305022221
brun foncé	dark brown	dunkelbraun	305035122	305035222	305036122	305036222	305022122	305022222
ivoire claire	light ivory	hellelfenbein	-	305035223	-	305036223	-	305022223
beige foncé	dark beige	dunkelbeige	-	305035224	-	305036224	-	305022224
vert mousse	green moss	moosgrün	-	305035225	-	305036225	-	305022225
bleu foncé	dark blue	dunkelblau	-	305035226	-	305036226	-	305022226
bronze	bronze	bronze	-	305035229	-	305036229	-	305022229
Poids de 1 ml, kg • Weight per 1 m, kg • Gewicht je lfd.m, kg			1,374		1,534		1,026	
Longueur standardisée, m • Standard length, m • Produktionslänge, m			6		6		6	
Commande standardisée, m • Standard pack, m • Verpackungseinheit, m			30		30		30	

SB-P/QRE/205 | CAISSON QUART DE ROND | SHUTTER BOX QUARTER-ROUND | BLENDENKASTEN VIERTELRUND

Extrudé en aluminium, en trois parties
 Aluminium, extruded, consists of 3 parts
 Aluminium, stranggepresst, besteht aus 3 Teilen


SB-P/QRE/1

SB-P/QRE/2

SB-P/RE/3

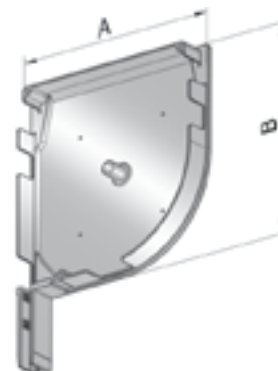
SB-P/QRE/205 A=205 mm, B=205 mm			SB-P/QRE/1/205		SB-P/QRE/2/205		SB-P/RE/3/205	
			Surface structurée Shagreen Oberfläche strukturiert	Surface lisse Gloss Oberfläche glänzend	Surface structurée Shagreen Oberfläche strukturiert	Surface lisse Gloss Oberfläche glänzend	Surface structurée Shagreen Oberfläche strukturiert	Surface lisse Gloss Oberfläche glänzend
Coloris	Colour	Farbe	Code • Code • Code					
brut	mill-finished	blank	305038100		305039100		305025100	
blanc	white	weiß	305038101	305038201	305039101	305039201	305025101	305025201
brun	brown	braun	305038102	305038202	305039102	305039202	305025102	305025202
gris	grey	grau	305038103	305038203	305039103	305039203	305025103	305025203
beige	beige	beige	305038104	305038204	305039104	305039204	305025104	305025204
alu argenté	silver	silber	305038108	305038208	305039108	305039208	305025108	305025208
bleu ciel	sky blue	himmelblau	-	305038206	-	305039206	-	305025206
rouge pourpre	purple red	purpurrot	-	305038207	-	305039207	-	305025207
noir	black	schwarz	-	305038210	-	305039210	-	305025210
anthracite	anthracite	anthrazit	-	305038213	-	305039213	-	305025213
vert sapin	green fir	tannengrün	-	305038215	-	305039215	-	305025215
bleu azuré	azure blue	azurblau	-	305038216	-	305039216	-	305025216
jaune	yellow	gelb	-	305038220	-	305039220	-	305025220
crème	cream	cremeweiss	-	305038221	-	305039221	-	305025221
brun foncé	dark brown	dunkelbraun	305038122	305038222	305039122	305039222	305025122	305025222
ivoire claire	light ivory	hellelfenbein	-	305038223	-	305039223	-	305025223
beige foncé	dark beige	dunkelbeige	-	305038224	-	305039224	-	305025224
vert mousse	green moss	moosgrün	-	305038225	-	305039225	-	305025225
bleu foncé	dark blue	dunkelblau	-	305038226	-	305039226	-	305025226
bronze	bronze	bronze	-	305038229	-	305039229	-	305025229
Poids de 1 ml, kg • Weight per 1 m, kg • Gewicht je lfd.m, kg			1,494		1,813		1,170	
Longueur standardisée, m • Standard length, m • Produktionslänge, m			6		6		6	
Commande standardisée, m • Standard pack, m • Verpackungseinheit, m			24		24		24	

SF-QR | JOUES LATÉRALES QUART DE ROND | END CAPS QUARTER-ROUND | BLENDENKAPPEN VIERTELROUND

Fabriquée en aluminium, à utiliser avec les coulisses **GR53×22/eco**, **GR65×24E**, **GR45×22E**, **GR45×60E**, **GR53×22E**, **GR53×34E**, **GR53×42E**, **GR53×60E**, **GRM66×27E**, **GR45×34E**, **GR53×39E**, **GR60×21/SE**, **GR65×24/eco**, **M-GR53×39E**

Aluminium. For **GR53×22/eco**, **GR65×24E**, **GR45×22E**, **GR45×60E**, **GR53×22E**, **GR53×34E**, **GR53×42E**, **GR53×60E**, **GRM66×27E**, **GR45×34E**, **GR53×39E**, **GR60×21/SE**, **GR65×24/eco**, **M-GR53×39E** guide rails

Aluminium. Für Führungsschienen **GR53×22/eco**, **GR65×24E**, **GR45×22E**, **GR45×60E**, **GR53×22E**, **GR53×34E**, **GR53×42E**, **GR53×60E**, **GRM66×27E**, **GR45×34E**, **GR53×39E**, **GR60×21/SE**, **GR65×24/eco**, **M-GR53×39E**


SF-QR/137
SF-QR/150
SF-QR/165

Coloris	Colour	Farbe	Surface structurée	Surface lisse	Surface structurée	Surface lisse	Surface structurée	Surface lisse
			Shagreen	Gloss	Shagreen	Gloss	Shagreen	Gloss
			Oberfläche strukturiert	Oberfläche glänzend	Oberfläche strukturiert	Oberfläche glänzend	Oberfläche strukturiert	Oberfläche glänzend
Code • Code • Code								
brut	mill-finished	blank	306020100		306021100		306022100	
blanc	white	weiß	306020101	306020201	306021101	306021201	306022101	306022201
brun	brown	braun	306020102	306020202	306021102	306021202	306022102	306022202
gris	grey	grau	306020103	306020203	306021103	306021203	306022103	306022203
beige	beige	beige	306020104	306020204	306021104	306021204	306022104	306022204
alu argenté	silver	silber	306020108	306020208	306021108	306021208	306022108	306022208
bleu ciel	sky blue	himmelblau	-	306020206	-	306021206	-	306022206
rouge pourpre	purple red	purpurrot	-	306020207	-	306021207	-	306022207
noir	black	schwarz	-	306020200	-	306021210	-	306022200
anthracite	anthracite	anthrazit	-	306020203	-	306021213	-	306022203
vert sapin	green fir	tannengrün	-	306020205	-	306021215	-	306022205
bleu azuré	azure blue	azurblau	-	306020206	-	306021216	-	306022206
jaune	yellow	gelb	-	306020220	-	306021220	-	306022220
crème	cream	cremeweiss	-	306020221	-	306021221	-	306022221
brun foncé	dark brown	dunkelbraun	306020122	306020222	306021122	306021222	306022122	306022222
ivoire claire	light ivory	hellelfenbein	-	306020223	-	306021223	-	306022223
beige foncé	dark beige	dunkelbeige	-	306020224	-	306021224	-	306022224
vert mousse	green moss	moosgrün	-	306020225	-	306021225	-	306022225
bleu foncé	dark blue	dunkelblau	-	306020226	-	306021226	-	306022226
bronze	bronze	bronze	-	306020229	-	306021229	-	306022229
Poids d'une paire, kg			0,44		0,236		0,536	
• Weight per 1 pair, kg • Gewicht pro Paar, kg								
Commande standardisée, paire			13		10		10	
• Standard pack, pair • Verpackungseinheit, Paar								
A, mm			137		150		165	
B, mm			137		150		165	

SF-QR | JOUES LATÉRALES QUART DE ROND | END CAPS QUARTER-ROUND | BLENDEKAPPEN VIERTELRUND

Fabriquée en aluminium, à utiliser avec les coulisses **GR53×22/eco, GR65×24E, GR45×22E, GR45×60E, GR53×22E, GR53×34E, GR53×42E, GR53×60E, GRM66×27E, GR45×34E, GR53×39E, GR60×21/SE, GR65×24/eco, M-GR53×39E**

Aluminium. For **GR53×22/eco, GR65×24E, GR45×22E, GR45×60E, GR53×22E, GR53×34E, GR53×42E, GR53×60E, GRM66×27E, GR45×34E, GR53×39E, GR60×21/SE, GR65×24/eco, M-GR53×39E** guide rails

Aluminium. Für Führungsschienen **GR53×22/eco, GR65×24E, GR45×22E, GR45×60E, GR53×22E, GR53×34E, GR53×42E, GR53×60E, GRM66×27E, GR45×34E, GR53×39E, GR60×21/SE, GR65×24/eco, M-GR53×39E**



SF-QR/180

SF-QR/205

Coloris	Colour	Farbe	Surface structurée	Surface lisse	Surface structurée	Surface lisse
			Shagreen Oberfläche strukturiert	Gloss Oberfläche glänzend	Shagreen Oberfläche strukturiert	Gloss Oberfläche glänzend
Code • Code • Code						
brut	mill-finished	blank	306023100		306024100	
blanc	white	weiß	306023101	306023201	306024101	306024201
brun	brown	braun	306023102	306023202	306024102	306024202
gris	grey	grau	306023103	306023203	306024103	306024203
beige	beige	beige	306023104	306023204	306024104	306024204
alu argenté	silver	silber	306023108	306023208	306024108	306024208
bleu ciel	sky blue	himmelblau	–	306023206	–	306024206
rouge pourpre	purple red	purpurrot	–	306023207	–	306024207
noir	black	schwarz	–	306023210	–	306024210
anthracite	anthracite	anthrazit	–	306023213	–	306024213
vert sapin	green fir	tannengrün	–	306023215	–	306024215
bleu azuré	azure blue	azurblau	–	306023216	–	306024216
jaune	yellow	gelb	–	306023220	–	306024220
crème	cream	cremeweiss	–	306023221	–	306024221
brun foncé	dark brown	dunkelbraun	306023122	306023222	306024122	306024222
ivoire claire	light ivory	hellelfenbein	–	306023223	–	306024223
beige foncé	dark beige	dunkelbeige	–	306023224	–	306024224
vert mousse	green moss	moosgrün	–	306023225	–	306024225
bleu foncé	dark blue	dunkelblau	–	306023226	–	306024226
bronze	bronze	bronze	–	306023229	–	306024229
chêne doré	golden oak	goldene Eiche	306023119	–	306024119	–
chêne irlandais	irish oak	Eiche hell	306023139	–	306024139	–
Poids d'une paire, kg • Weight per 1 pair, kg • Gewicht pro Paar, kg			0,300		0,362	
Commande standardisée, paire • Standard pack, pair • Verpackungseinheit, Paar			10		10	
A, mm			180		205	
B, mm			180		205	

Caissons et joues latérales pour caissons intégrés Shutter boxes and end caps for built-in assembly Einputzkästen und -kappen

SB-I/m | CAISSON INTÉGRÉ | BUILT-IN SHUTTER BOX | EINPUTZKASTEN

1	Planche supérieure Top cover Obere Blende
2	Rail de façade Flush rail Putzträgerprofil
3	Trappe de visite Bottom flat Untere Blende
4	Planche Plate Platte



SB-I/UC/m | PLANCHE DE DESSUS | TOP COVER | OBERE BLENDE

Pour les caissons intégrés / Profilé en aluminium
For build-in shutter box / Aluminium, roll formed
Für Einputzkasten / Aluminium, rollgeformt

Coloris	Colour	Farbe	SB-I/UC/137m	SB-I/UC/150m	SB-I/UC/165m	SB-I/UC/180m	SB-I/UC/205m
			Code • Code • Code				
brut	mill-finished	blank	305101100	305102100	305103100	305104100	305105100
Poids de 1 ml, kg - Weight per 1 m, kg - Gewicht je lfd.m, kg			0,75	0,82	0,92	1,01	1,16
A, mm			137	150	165	180	205
B, mm			110	122	137	152	178



Longueur standardisée, m / Standard length, m / Produktionslänge, m6,0
Commande standardisée, m / Standard pack, m / Verpackungseinheit, m..... 18,0

SB-I/FR/m | RAIL DE FAÇADE | FLUSH RAIL | PUTZTRÄGERPROFIL

Pour les caissons intégrés / Extrudé en aluminium
For build-in shutter box / Aluminium, extruded
Für Einputzkasten / Aluminium, stranggepresst

Coloris	Colour	Farbe	Code • Code • Code
brut	mill-finished	blank	305111100
blanc	white	weiß	305111201
brun	brown	braun	305111202
gris	grey	grau	305111203
beige	beige	beige	305111204
alu argenté	silver	silber	305111208
brun foncé	dark brown	dunkelbraun	305111222



Plaxage par le film Renolit • Lamination by Renolit film • Kaschierung mit Renolit-Folie

Coloris	Colour	Farbe	Code • Code • Code
chêne doré Renolit	golden oak Renolit	goldene Eiche Renolit	305111419
noyer Renolit	nut Renolit	Nussbaum Renolit	305111459



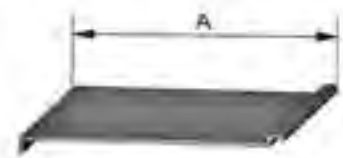
Schema d'application
Application scheme
Schema der Auftragung

Poids de 1 ml, kg / Weight per 1 m, kg / Gewicht je lfd.m, kg 0,50
Longueur standardisée, m / Standard length, m / Produktionslänge, m 6,0
Commande standardisée, m / Standard pack, m / Verpackungseinheit, m 18,0

SB-I/F/m | TRAPPE DE VISITE | BOTTOM FLAT | UNTERE BLENDE

Pour les caissons intégrés / Extrudé en aluminium
For build-in shutter box / Aluminium, extruded
Für Einputzkasten / Aluminium, stranggepresst

Coloris	Colour	Farbe	SB-I/F/137m	SB-I/F/150m	SB-I/F/165m	SB-I/F/180m	SB-I/F/205m
			Code • Code • Code				
brut	mill-finished	blank	305106100	305107100	305108100	305109100	305110100
blanc	white	weiß	305106201	305107201	305108201	305109201	305110201
brun	brown	braun	305106202	305107202	305108202	305109202	305110202
gris	grey	grau	305106203	305107203	305108203	305109203	305110203
beige	beige	beige	305106204	305107204	305108204	305109204	305110204
alu argenté	silver	silber	305106208	305107208	305108208	305109208	305110208
brun foncé	dark brown	dunkelbraun	305106222	305107222	305108222	305109222	305110222
Poids de 1 ml, kg • Weight per 1 m, kg • Gewicht je lfd.m, kg			0,67	0,74	0,82	0,91	1,05
A, mm			101	114	129	144	169



SB-I/F/137m...205m

Schema d'application
Application scheme
Schema der Auftragung



Plaxage par le film Renolit • Lamination by Renolit film • Kaschierung mit Renolit-Folie

Coloris	Colour	Farbe	SB-I/F/137m	SB-I/F/150m	SB-I/F/165m	SB-I/F/180m	SB-I/F/205m
			Code • Code • Code				
chêne doré Renolit	golden oak Renolit	goldene Eiche Renolit	305106419	305107419	305108419	305109419	305110419
noyer Renolit	nut Renolit	Nussbaum Renolit	305106459	305107459	305108459	305109459	305110459

Longueur standardisée, m / Standard length, m / Produktionslänge, m 6,0
Commande standardisée, m / Standard pack, m / Verpackungseinheit, m 18,0

SB-I/FR/17m | RAIL DE FAÇADE | FLUSH RAIL | PUTZTRÄGERPROFIL

Pour les caissons intégrés / Extrudé en aluminium
For build-in shutter box / Aluminium, extruded
Für Einputzkasten / Aluminium, stranggepresst

Coloris	Colour	Farbe	Code • Code • Code
brut	mill-finished	blank	305137100
blanc	white	weiß	305137201
brun	brown	braun	305137202
gris	grey	grau	305137203
beige	beige	beige	305137204
alu argenté	silver	silber	305137208
brun foncé	dark brown	dunkelbraun	305137222

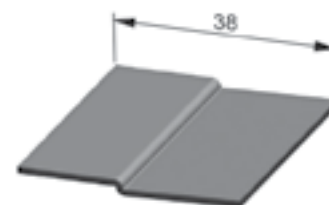


Poids de 1 ml, kg / Weight per 1 m, kg / Gewicht je lfd.m, kg 0,44
Longueur standardisée, m / Standard length, m / Produktionslänge, m 6,0
Commande standardisée, m / Standard pack, m / Verpackungseinheit, m 18,0

SB-I/PL | PLANCHE | PLATE | PLATTE

Pour les caissons intégrés / Extrudé en aluminium
For build-in shutter box / Aluminium, extruded
Für Einputzkasten / Aluminium, stranggepresst

Référence • Article • Artikel	Code • Code • Code
SB-I/PL	305138100



Poids, kg / Weight, kg / Gewicht, kg 0,014
Commande standardisée, pièces / Standard pack, pcs / Verpackungseinheit, Stk 100

SF90 | JOUES LATÉRALES 90° | END CAPS 90° | BLENDENKAPPEN 90°

Fabriquée en aluminium, à utiliser avec les coulisses **GR65×24, GR45×22E, GR45×60E, GR53×22E, GR53×34E, GR53×42E, GR53×60E, GRM66×27E, GR53×22/eco, GR45×34E, GR53×39E, GR60×21/SE, GR65×24/eco.**

Aluminium. For **GR65×24, GR45×22E, GR45×60E, GR53×22E, GR53×34E, GR53×42E, GR53×60E, GRM66×27E, GR53×22/eco, GR45×34E, GR53×39E, GR60×21/SE, GR65×24/eco** guide rails

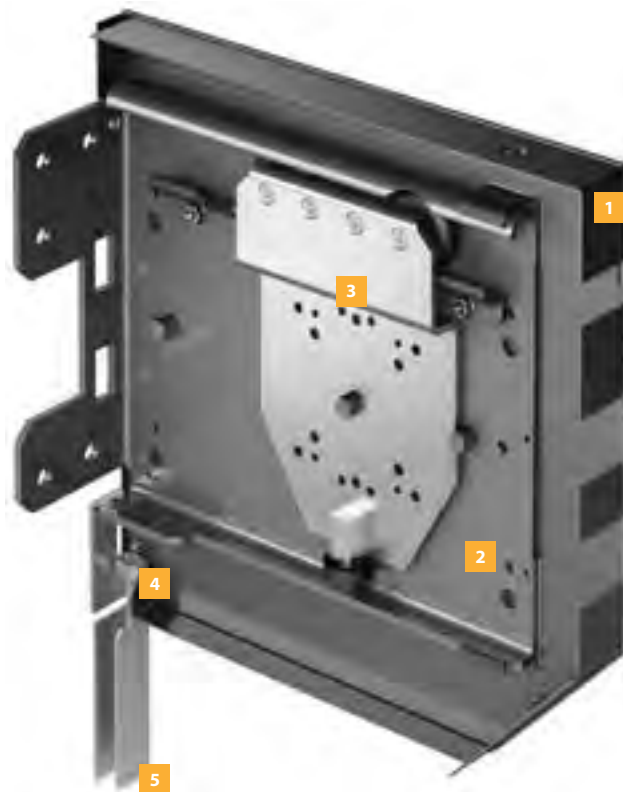
Aluminium. Für Führungsschienen **GR65×24, GR45×22E, GR45×60E, GR53×22E, GR53×34E, GR53×42E, GR53×60E, GRM66×27E, GR53×22/eco, GR45×34E, GR53×39E, GR60×21/SE, GR65×24/eco.**

Coloris	Colour	Farbe	SF90/137	SF90/150	SF90/165	SF90/180	SF90/205
			Code • Code • Code				
brut	mill-finished	blank	306121100	306122100	306123100	306124100	306125100
Poids d'une paire, kg • Weight per 1 pair, kg • Gewicht pro Paar, kg			0,415	0,470	0,535	0,575	0,700
Commande standardisée, paire • Standard pack, pair • Verpackungseinheit, Paar			13	10	10	10	10
A, mm			137	150	165	180	205
B, mm			137	150	165	180	205



SYSTEME "4-EN-1" | "4-IN-1" SYSTEM | "4-IN-1" - SYSTEM

	Joue latérale SF360/C (SF405/C)
1	SF360/C (SF405/C) end cap Blendenkappe SF360/C (SF405/C)
	Console CCM
2	CCM console Konsole CCM
	Chariot mobile RC360/C
3	RC360/C movable carriage Laufwagen RC360/C
	Rouleau de guidage RG/C (RGH/C)
4	RG/C (RGH/C) guide roller Einlaufrolle RG/C (RGH/C)
	Support GF/C
5	GF/C bracket Halterung GF/C



Montage sans caisson, avec les consoles CCM
Mounting on CCM consoles without shutter box
Montage auf Konsolen CCM ohne Kasten



Montage sans caisson, avec les consoles CCM et chariots mobiles RC360/C
Mounting on CCM consoles with RC360/C movable carriages (without shutter box)
Montage auf Konsolen CCM, mit beweglichen Laufwagen RC360/C ohne Kasten



Montage avec caisson, avec les consoles CCM, joues latérales SF360/C (SF405/C)
Mounting on CCM consoles, with SF360/C (SF405/C) end caps
Montage auf CCM Konsolen, mit Blendenkappen SF360/C (SF405/C)



Montage avec caisson, avec les consoles CCM, chariots mobiles RC360/C, joues latérales SF360/C (SF405/C)
Mounting on CCM consoles, with RC360/C movable carriages, SF360/C (SF405/C) end caps
Montage auf CCM Konsolen, mit Laufwagen RC360/C, Blendenkappen SF360/C (SF405/C)

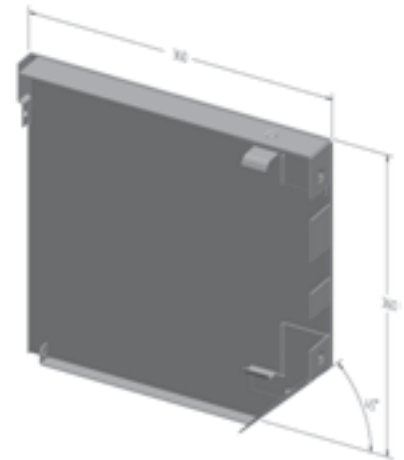
SF360/C | JOUE LATÉRALE EN ACIER | STEEL END CAP | STAHL-BLENDEKAPPE

Fabriquée en acier. A utiliser avec la console **CCM**

Steel. To be used with **CCM** console

Stahl. Wird mit **CCM** Konsole

Coloris	Colour	Farbe	Surface structurée Shagreen Oberfläche strukturiert	Surface lisse Gloss Oberfläche glänzend
			Code • Code • Code	
blanc	white	weiß	306130101	306130201
brun	brown	braun	306130102	306130202
gris	grey	grau	306130103	306130203
beige	beige	beige	306130104	306130204
alu argenté	silver	silber	306130108	306130208
rouge pourpre	purple red	purpurrot	–	306130207
anthracite	anthracite	anthrazit	–	306130213
vert sapin	green fir	tannengrün	–	306130215
crème	cream	cremeweiss	–	306130221
brun foncé	dark brown	dunkelbraun	306130122	306130222
ivoire claire	light ivory	hell elfenbein	–	306130223
vert mousse	green moss	moosgrün	–	306130225
bleu foncé	dark blue	dunkelblau	–	306130226
Poids d'une paire, kg • Weight per 1 pair, kg • Gewicht pro Paar, kg			4,39	
Commande standardisée, paire • Standard pack, pair • Verpackungseinheit, Paar			1	

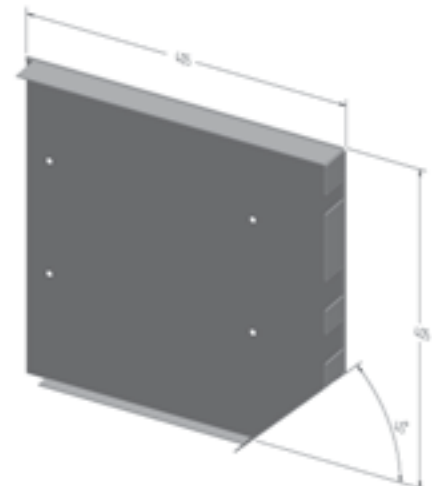

SF405/C | JOUE LATÉRALE EN ACIER | STEEL END CAP | STAHL-BLENDEKAPPE

Fabriquée en acier. A utiliser avec la console **CCM**

Steel. To be used with **CCM** console

Stahl. Wird zusammen mit **CCM** Konsole

Coloris	Colour	Farbe	Code • Code • Code
blanc	white	weiß	306131101
brun	brown	braun	306131102
gris	grey	grau	306131103
beige	beige	beige	306131104
Poids d'une paire, kg • Weight per 1 pair, kg • Gewicht pro Paar, kg			4,7
Commande standardisée, paire • Standard pack, pair • Verpackungseinheit, Paar			1



CCM | CONSOLE | CONSOLE | KONSOLE

Fabriquée en acier.
Steel.
Stahl



Référence • Article • Artikel	Code • Code • Code
CCM	303019700

Commande standardisée, paire / Standard pack, pair / Verpackungseinheit, Paar 1

RC360/C | CHARIOT MOBILE | MOVABLE CARRIAGE | BEWEGLICHER LAUFWAGEN

Fabriquée en acier. A utiliser avec la console CCM.
Steel. To be used with CCM console.
Stahl. Wird mit CCM Konsole eingesetzt.



Référence • Article • Artikel	Code • Code • Code
RC360/C	303020700

Commande standardisée, paire / Standard pack, pair / Verpackungseinheit, Paar 1

GF/C | PIED | BRACKET | HALTERUNG

Fabriquée en acier. A utiliser avec la joue latérale **SF360/C**, les coulisses **GR70x34E, GR90x34E, GR100x35E, GR90x33(I)**
Steel. To be used with **SF360/C** end cap and **GR70x34E, GR90x34E, GR100x35E, GR90x33(I)** guide rails
Stahl. Wird mit Blendenkappe **SF360/C** und Führungsschienen **GR70x34E, GR90x34E, GR100x35E, GR90x33(I)** eingesetzt.



Référence • Article • Artikel	Code • Code • Code
GF/C	303021700

Commande standardisée, paire / Standard pack, pair / Verpackungseinheit, Paar 3

SFC/C | JEU DE FIXATION POUR CÂBLE | CABLE FIXING KIT | SET FÜR KABELBEFESTIGUNG

Le jeu inclut: 10 vis en acier, 10 brides plastique pour câble, 1 ressorts de sécurité pour câble.

The kit includes: 10 steel screws, 10 plastic buckles for cable, 1 spiral straps for cable.

Besteht aus: 10 Stahl-Schrauben, 10 Kunststoff-Kabelbinder, 1 Kunststoff-Feder.



Référence • Article • Artikel	Code • Code • Code
SFC/C	303021000

Commande standardisée, pièces / Standard pack, pcs / Verpackungseinheit, Stk 10

RG/C | ROULEAU DE GUIDAGE | GUIDE ROLLER | EINLAUFROLLE

Fabriqu  en acier. A utiliser avec la console **CCM**, les coulisses **GR70x34E**, **GR90x34E**, **GR90x33(I)**

Steel. To be used with **CCM** console, **GR70x34E**, **GR90x34E**, **GR90x33(I)** guide rails

Stahl. Wird mit **CCM** Konsole und F hrungsschienen **GR70x34E**, **GR90x34E**, **GR90x33(I)** eingesetzt.



R�f�rence • Article • Artikel	Code • Code • Code
RG/C	303022700

Commande standardis e, paire / Standard pack, pair / Verpackungseinheit, Paar 5

RGH/C | ROULEAU DE GUIDAGE | GUIDE ROLLER | EINLAUFROLLE

Fabriqu  en acier. A utiliser avec la console **CCM**, la coulisse **GR100x35IE**

Steel. To be used with **CCM** console, **GR100x35IE** guide rail

Stahl. Wird mit **CCM** Konsole und F hrungsschiene **GR100x35IE** eingesetzt.



R�f�rence • Article • Artikel	Code • Code • Code
RGH/C	303023700

Commande standardis e, paire / Standard pack, pair / Verpackungseinheit, Paar 5

RC205, RC250/S | CHARIOT MOBILE | MOVABLE CARRIAGE | LAUFWAGEN

Galvanisé
Galvanized
Galvanisiert

Référence • Article • Artikel	Joue latérale • End cap • Blendenkappe	B, mm	H, mm	Code • Code • Code
RC205	SF205a	189	189	1070960
RC250/S	SF250/Sa	227	230	1071160



Commande standardisée, paire / Standard pack, pair / Verpackungseinheit, Paar 1

RC | CHARIOT MOBILE | MOVABLE CARRIAGE | LAUFWAGEN

Galvanisé
Galvanized
Galvanisiert

Référence • Article • Artikel	Joue latérale • End cap • Blendenkappe	Code • Code • Code
RC	SF250a, SF300a	306126100

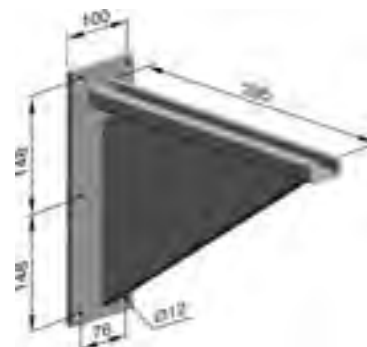


Commande standardisée, paire / Standard pack, pair / Verpackungseinheit, Paar 1

KN SC | CONSOLE | CONSOLE | KONSOLE

Console galvanisée pour volets à tabliers lourds
Galvanized. For mounting a heavy roller shutter system
Galvanisiert. Für Rollladensysteme mit schwerem Rollladenpanzer

Référence • Article • Artikel	Code • Code • Code
KN SC	1031660



Commande standardisée, pièces / Standard pack, pcs / Verpackungseinheit, Stk 2

GPU/AL, GPU-R/AL | PLAQUE CONSOLE | SAFETY PLATE | ABWEISBLECH

Plaques console fabriquées en aluminium. Pour le montage du tablier à la base de la lame **AER42** sur le tube octo 60 mm.

GPU/AL — pour les joues latérales **SF45, SF20, SF-QR**

GPU-R/AL — pour les joues demi-rond **SF-R**

Aluminium safety plates. Designed for **AER42** profile curtain mounting for 60 mm octagonal roll tube.

GPU/AL — for **SF45, SF20, SF-QR** end caps

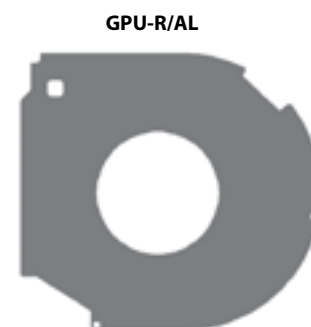
GPU-R/AL — for **SF-R** round end caps

Aluminium-Abweisbleche. Für Montage des **AER42**-Rollpanzers für 60 mm Achtkantwelle.

GPU/AL — für Blendenkappen **SF45, SF20, SF-QR**

GPU-R/AL — für halbrunde Blendenkappen **SF-R**

Référence Article Artikel	Pour les joues latérales For the end caps Für Blendenkappen	Code • Code • Code
GPU137AL	SF137a, SF20/137, SF-QR/137	312017000
GPU150AL	SF150a, SF20/150, SF-QR/150	312018000
GPU165AL	SF165a, SF20/165, SF-QR/165	312019000
GPU180AL	SF180a, SF20/180, SF-QR/180	312020000
GPU205AL	SF205a, SF20/205, SF-QR/205	312021000
GPU-R137AL	SF-R/137	312022000
GPU-R150AL	SF-R/150	312023000
GPU-R165AL	SF-R/165	312024000
GPU-R180AL	SF-R/180	312025000
GPU-R205AL	SF-R/205	312026000



Commande standardisée, pièces / Standard pack, pcs / Verpackungseinheit, Stk..... 100

GPU | PLAQUE CONSOLE | SAFETY PLATE | ABWEISBLECH

Plaque universelle fabriquée en acier pour les joues latérales **SF45, SF20, SF-QR**. Pour le montage du tablier à la base de la lame **AER42** sur le tube octo 40 ou 60 mm.

Universal steel plate for **SF45, SF20, SF-QR** end caps. Designed for **AER42** profile curtain assembly for 40 and 60 mm octagonal roll tube.

Universal-Abweisblech aus Stahl für Blendenkappen **SF45, SF20, SF-QR**. Wird beim Zusammenbau des Panzers aus **AER42** Profil für Achtkantwelle 40 und 60 mm eingesetzt.

Référence Article Artikel	Joue laterale End cap Blendenkappe	Pour le Tube For roll tube Für Welle	Code • Code • Code
GPU137/40	137 mm	RT40	312002700
GPU137/64		RT60	312004700
GPU150/40	150 mm	RT40	312005700
GPU150/64		RT60	312007700
GPU165/40	165 mm	RT40	312008700
GPU165/64		RT60	312010700
GPU180/40	180 mm	RT40	312011700
GPU180/64		RT60	312013700
GPU205/40	205 mm	RT40	312014700
GPU205/64		RT60	312016700



Commande standardisée, pièces / Standard pack, pcs / Verpackungseinheit, Stk..... 100

SB-U/7S | RAIDISSEUR DU CAISSON | SHUTTER BOX REINFORCING PLUG | KASTENVERSTÄRKUNG

En aluminium, extrudé, pour les VR avec ressort de tirage direct. A poser dans les caissons profilés **SB45, SB20, SB-R, SB-QR**.

Aluminium, extruded, for the roller shutters with assist and push-up spring. Designed to be installed in **SB45, SB20, SB-R, SB-QR** roll-formed shutter boxes.

Aluminium, stranggepresst, für Rollläden mit Federantrieb. Für Blendenkästen **SB45, SB20, SB-R, SB-QR**.



Coloris	Colour	Farbe	Code • Code • Code
blanc	white	weiß	305185101
brun	brown	braun	305185102
Commande standardisée, pièces • Standard pack, pcs • Verpackungseinheit, Stk			40
Longueur d'une lame, m • Length of 1 profile, m • Länge von 1 Profil, m			0,3

SBS300 | RENFORCEUR DU CAISSON | SHUTTER BOX REINFORCING PLATE | KASTENVERSTÄRKUNG

Renforceur du caisson en acier. Conçu pour donner au caisson **SB45/300** une plus grande rigidité.

Galvanized steel. For additional rigidity of the shutter box **SB45/300**.

Verstärkung aus verzinktem Stahl. Zum Verleihen dem Blendenkasten **SB45/300** von zusätzlicher Härte.

**NOUVEAUTÉ
NEW
NEUHEIT**



Référence • Article • Artikel	Code • Code • Code
SBS300	305229100

Commande standardisée, pièces / Standard pack, pcs / Verpackungseinheit, Stk 5

FK/SF-B | KIT DE FIXATION POUR JOUES LATÉRALES | KIT OF FASTENERS FOR END CAPS | SET DER BEFESTIGUNGSELEMENTE FÜR BLENDEKAPPEN

Pour poser les supports, support du palier dans les joues latérales **SF45/137...205u-B**. Le kit inclut 1 vis et 1 rondelle.

To mount the motor brackets, ball bearing supports in the **SF45/137...205u-B** end caps. The kit includes 1 screw and 1 washer.

Zum Anbringen der Befestigungen, Anschraublager in den Blendenkappen **SF45/137...205u-B**. Im Set sind 1 Schraube und 1 Scheibe enthalten.



Référence Article Artikel	Code • Code • Code	Commande standardisée, kit Standard pack, kit Verpackungseinheit, Set
FK/SF-B	312037100	100

Joues pour volets roulants

Caps for combined roller shutter systems

Blendenkappen für kombinierte Rollladensysteme

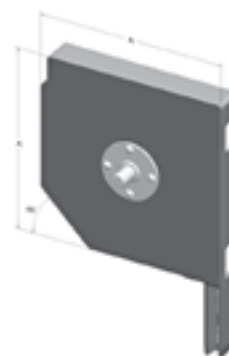
SF45/137...205/D | JOUE INTERMÉDIAIRE COUPLÉE | INTERMEDIATE TWO-SIDED CAP | DOPPELSEITIGE MITTEL-BLENDEKAPPE

En aluminium, 45°, à utiliser avec les coulisses **GR79×22E**, **GR83×22E** et la tulipe **GD9/D**.

Aluminium, 45°, used with **GR79×22E**, **GR83×22E** guide rails and **GD9/D** entry guide.

Aluminium, 45°, wird mit Führungsschienen **GR79×22E**, **GR83×22E** und Einlauftrichter **GD9/D** verwendet.

Référence Code Artikel	A, mm	Code Code Code	Commande standardisée, pièces Standard pack, pcs Verpackungseinheit, Stk
SF45/137/D	137	306143100	20
SF45/150/D	150	306144100	16
SF45/165/D	165	306145100	16
SF45/180/D	180	306146100	16
SF45/205/D	205	306147100	16



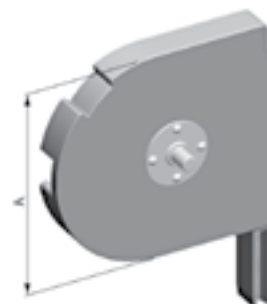
SF-R/137...205/D | JOUE INTERMÉDIAIRE COUPLÉE | INTERMEDIATE TWO-SIDED CAP | DOPPELSEITIGE MITTEL-BLENDEKAPPE

En aluminium. A utiliser avec les coulisses **GR79×22E**, **GR83×22E** et la tulipe **GD9/D**.

Aluminium. Used with **GR79×22E**, **GR83×22E** guide rails and **GD9/D** entry guide.

Aluminium. Wird mit Führungsschienen **GR79×22E**, **GR83×22E** und Einlauftrichter **GD9/D** verwendet.

Référence Code Artikel	A, mm	Code Code Code	Commande standardisée, pièces Standard pack, pcs Verpackungseinheit, Stk
SF-R/137/D	141	306153100	16
SF-R/150/D	154	306154100	16
SF-R/165/D	168	306155100	16
SF-R/180/D	184	306156100	16
SF-R/205/D	209	306157100	16



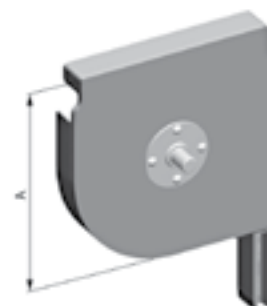
SF-QR/137...205/D | JOUE INTERMÉDIAIRE COUPLÉE | INTERMEDIATE TWO-SIDED CAP | DOPPELSEITIGE MITTEL-BLENDEKAPPE

En aluminium. A utiliser avec les coulisses **GR79×22E**, **GR83×22E** et la tulipe **GD9/D**.

Aluminium. Used with **GR79×22E**, **GR83×22E** guide rails and **GD9/D** entry guide.

Aluminium. Wird mit Führungsschienen **GR79×22E**, **GR83×22E** und Einlauftrichter **GD9/D** verwendet.

Référence Code Artikel	A, mm	Code Code Code	Commande standardisée, pièces Standard pack, pcs Verpackungseinheit, Stk
SF-QR/137/D	137	306158100	20
SF-QR/150/D	150	306159100	16
SF-QR/165/D	165	306160100	16
SF-QR/180/D	180	306161100	16
SF-QR/205/D	205	306162100	16



SF45/137...205/I | JOUE AVEC TROU EXTÉRIEUR | CAP WITH EXTERNAL HOLE | MITTELBLENDENKAPPE MIT SEPARATEM AUSSCHNITT

En aluminium, 45°, à utiliser avec les coulisses **GR79×22E**, **GR83×22E** et la tulipe **GD9/D**.

Aluminium, 45°, used with **GR79×22E**, **GR83×22E** guide rails and **GD9/D** entry guide

Aluminium, 45°, wird mit Führungsschienen **GR79×22E**, **GR83×22E** und Einlauftrichter **GD9/D** verwendet



Référence Code Artikel	A, mm	Code Code Code	Commande standardisée, pièces Standard pack, pcs Verpackungseinheit, Stk
SF45/137/I	137	306163100	26
SF45/150/I	150	306164100	20
SF45/165/I	165	306165100	20
SF45/180/I	180	306166100	20
SF45/205/I	205	306167100	20

SF-R/137...205/I | JOUE AVEC TROU EXTÉRIEUR | CAP WITH EXTERNAL HOLE | MITTELBLENDENKAPPE MIT SEPARATEM AUSSCHNITT

En aluminium, à utiliser avec les coulisses **GR79×22E**, **GR83×22E** et la tulipe **GD9/D**.

Aluminium, used with **GR79×22E**, **GR83×22E** guide rails and **GD9/D** entry guide

Aluminium, wird mit Führungsschienen **GR79×22E**, **GR83×22E** und Einlauftrichter **GD9/D** verwendet.



Référence Code Artikel	A, mm	Code Code Code	Commande standardisée, pièces Standard pack, pcs Verpackungseinheit, Stk
SF-R/137/I	141	306173100	20
SF-R/150/I	154	306174100	20
SF-R/165/I	168	306175100	20
SF-R/180/I	184	306176100	20
SF-R/205/I	209	306177100	20

SF-QR/137...205/I | JOUE AVEC TROU EXTÉRIEUR | CAP WITH EXTERNAL HOLE | MITTELBLENDENKAPPE MIT SEPARATEM AUSSCHNITT

En aluminium, à utiliser avec les coulisses **GR79×22E**, **GR83×22E** et la tulipe **GD9/D**.

Aluminium, used with **GR79×22E**, **GR83×22E** guide rails and **GD9/D** entry guide.

Aluminium, wird mit Führungsschienen **GR79×22E**, **GR83×22E** und Einlauftrichter **GD9/D** verwendet.



Référence Code Artikel	A, mm	Code Code Code	Commande standardisée, pièces Standard pack, pcs Verpackungseinheit, Stk
SF-QR/137/I	137	306178100	26
SF-QR/150/I	150	306179100	20
SF-QR/165/I	165	306180100	20
SF-QR/180/I	180	306181100	20
SF-QR/205/I	205	306182100	20

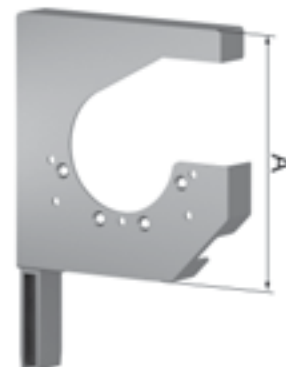
SF45/150...205/IQ | JOUE AVEC TROU EXTÉRIEUR | CAP WITH EXTERNAL HOLE | MITTELBLENDENKAPPE MIT SEPARATEM AUSSCHNITT

En aluminium, 45°, à utiliser avec les coulisses **GR79×22E** ou **GR83×22E** et le support de tube **S/IQ**.

Aluminium, 45°, used with **GR79×22E** or **GR83×22E** guide rails and **S/IQ** tube support.

Aluminium, 45°, wird zusammen mit Führungsschienen **GR79×22E** oder **GR83×22E** und mit Mittelstützlagerplatte **S/IQ** zum Stützen der Welle verwendet.

Référence Article Artikel	Trou pour le tube Hole for tube Bohrung für Welle	Code Code Code	A, mm	Commande standardisée, pièces Standard pack, pcs Verpackungseinheit, Stk
SF45/150/IQ	RT40	306198100	150	5
SF45/165/IQ	RT60	306199100	165	5
SF45/180/IQ	RT60	306200100	180	5
SF45/205/IQ	RT60	306201100	205	5

**SF-R/150...205/IQ** | JOUE AVEC TROU EXTÉRIEUR | CAP WITH EXTERNAL HOLE | MITTELBLENDENKAPPE MIT SEPARATEM AUSSCHNITT

En aluminium, demi-rond, à utiliser avec les coulisses **GR79×22E** ou **GR83×22E** et le support de tube **S/IQ**.

Aluminium, round, used with **GR79×22E** or **GR83×22E** guide rails and **S/IQ** tube support.

Aluminium, halbrund, wird zusammen mit Führungsschienen **GR79×22E** oder **GR83×22E** und mit Mittelstützlagerplatte **S/IQ** zum Stützen der Welle verwendet.

Référence Article Artikel	Trou pour le tube Hole for tube Bohrung für Welle	Code Code Code	A, mm	Commande standardisée, pièces Standard pack, pcs Verpackungseinheit, Stk
SF-R/150/IQ	RT40	306202100	154	5
SF-R/165/IQ	RT60	306203100	168	5
SF-R/180/IQ	RT60	306204100	184	5
SF-R/205/IQ	RT60	306205100	209	5

**SF-QR/150...205/IQ** | JOUE AVEC TROU EXTÉRIEUR | CAP WITH EXTERNAL HOLE | MITTELBLENDENKAPPE MIT SEPARATEM AUSSCHNITT

En aluminium, quart de rond, à utiliser avec les coulisses **GR79×22E** ou **GR83×22E** et le support de tube **S/IQ**.

Aluminium, quarter-round, used with **GR79×22E** or **GR83×22E** guide rails and **S/IQ** tube support.

Aluminium, viertelrund, wird zusammen mit Führungsschienen **GR79×22E** oder **GR83×22E** und mit Mittelstützlagerplatte **S/IQ** zum Stützen der Welle verwendet.

Référence Article Artikel	Trou pour le tube Hole for tube Bohrung für Welle	Code Code Code	A, mm	Commande standardisée, pièces Standard pack, pcs Verpackungseinheit, Stk
SF-QR/150/IQ	RT40	SF-QR/150/IQ	150	5
SF-QR/165/IQ	RT60	SF-QR/165/IQ	165	5
SF-QR/180/IQ	RT60	SF-QR/180/IQ	180	5
SF-QR/205/IQ	RT60	SF-QR/205/IQ	205	5





ALUTECH
ROLLER SHUTTER SYSTEMS

08

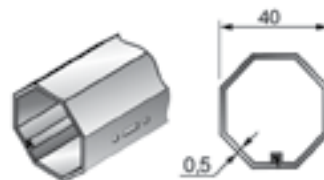
[Fr] TUBES OCTO
ET ACCESSOIRES

[En] OCTAGONAL TUBES
AND ACCESSORIES

[De] ACHTKANTWELLEN
UND ZUBEHÖR

RT40x0,5 | TUBE OCTOGONAL | OCTAGONAL ROLL TUBE | ACHTKANTWELLE

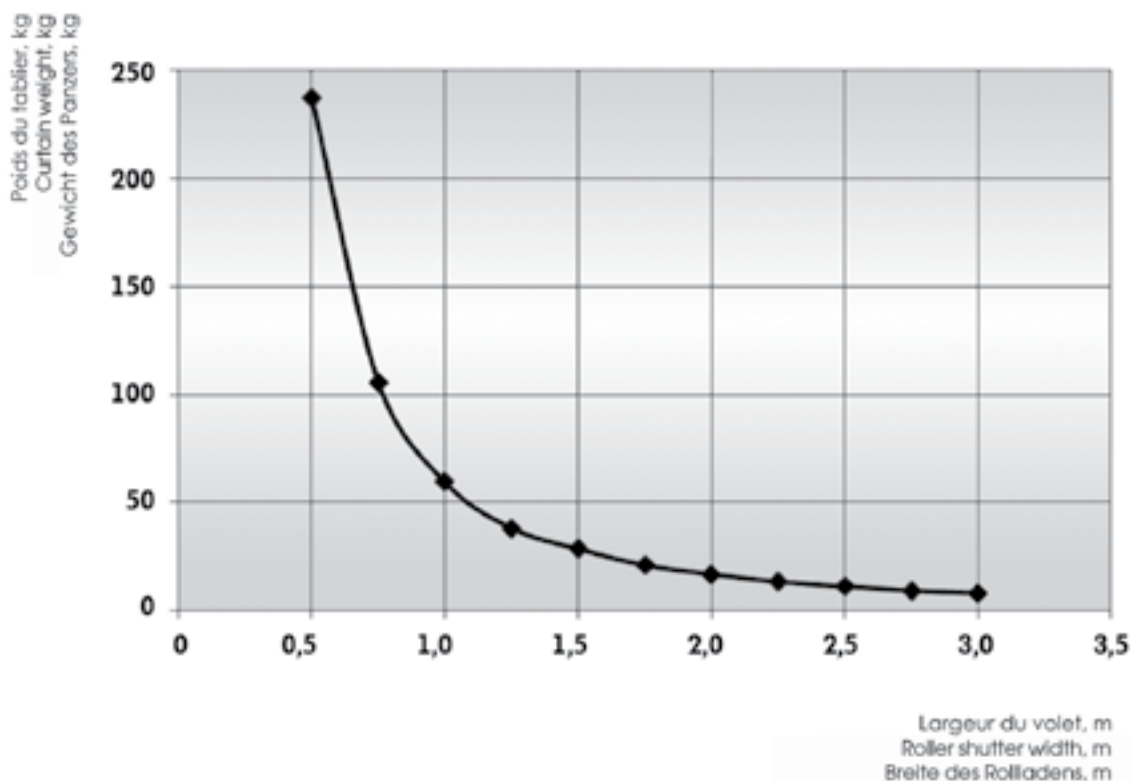
Galvanisé
Galvanized
Galvanisiert



Référence • Article • Artikel	Code • Code • Code
RT40x0,5	309003700

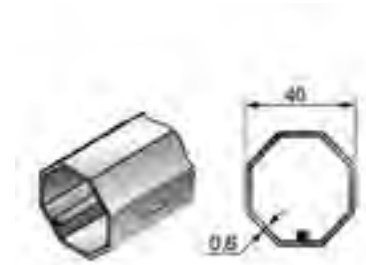
Poids de 1 ml, kg / Weight per 1 m, kg / Gewicht je lfd.m, kg0,518
 Longueur standardisée, m / Standard length, m / Produktionslänge, m6,0
 Commande standardisée, m / Standard pack, m / Verpackungseinheit, m.....72,0

**DIAGRAMME DES PARAMÈTRES
PARAMETER DIAGRAM
PARAMETERDIAGRAMM**



RT40x0,6 | TUBE OCTOGONAL | OCTAGONAL ROLL TUBE | ACHTKANTWELLE

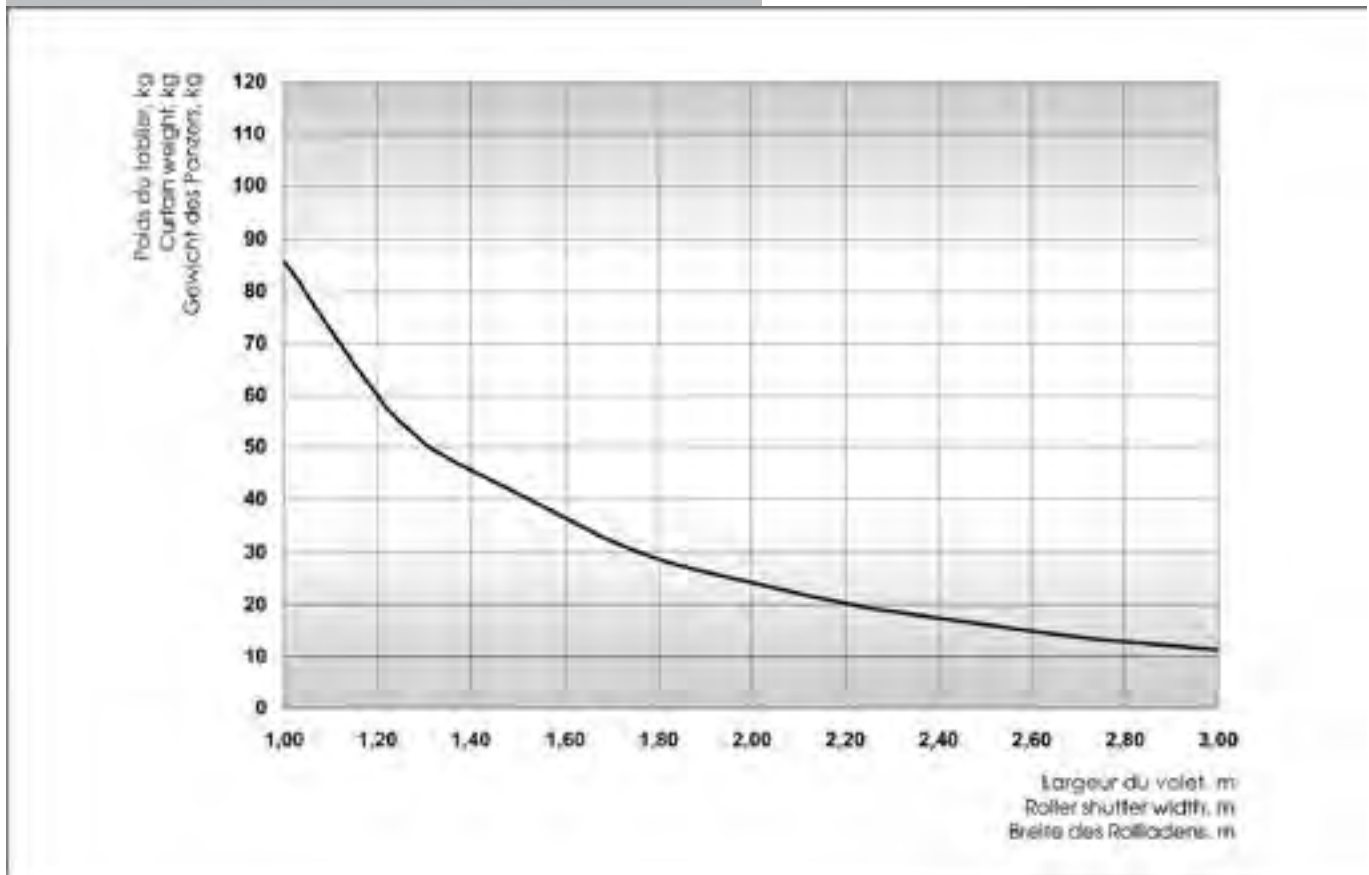
Galvanisé
Galvanized
Galvanisiert



Référence • Article • Artikel	Code • Code • Code
RT40x0,6	1080100

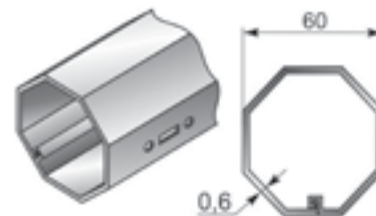
Poids de 1 ml, kg / Weight per 1 m, kg / Gewicht je lfd.m, kg0,672
 Longueur standardisée, m / Standard length, m / Produktionslänge, m6,0
 Commande standardisée, m / Standard pack, m / Verpackungseinheit, m 72,0

**DIAGRAMME DES PARAMÈTRES
PARAMETER DIAGRAM
PARAMETERDIAGRAMM**



RT60x0,6 | TUBE OCTOGONAL | OCTAGONAL ROLL TUBE | ACHTKANTWELLE

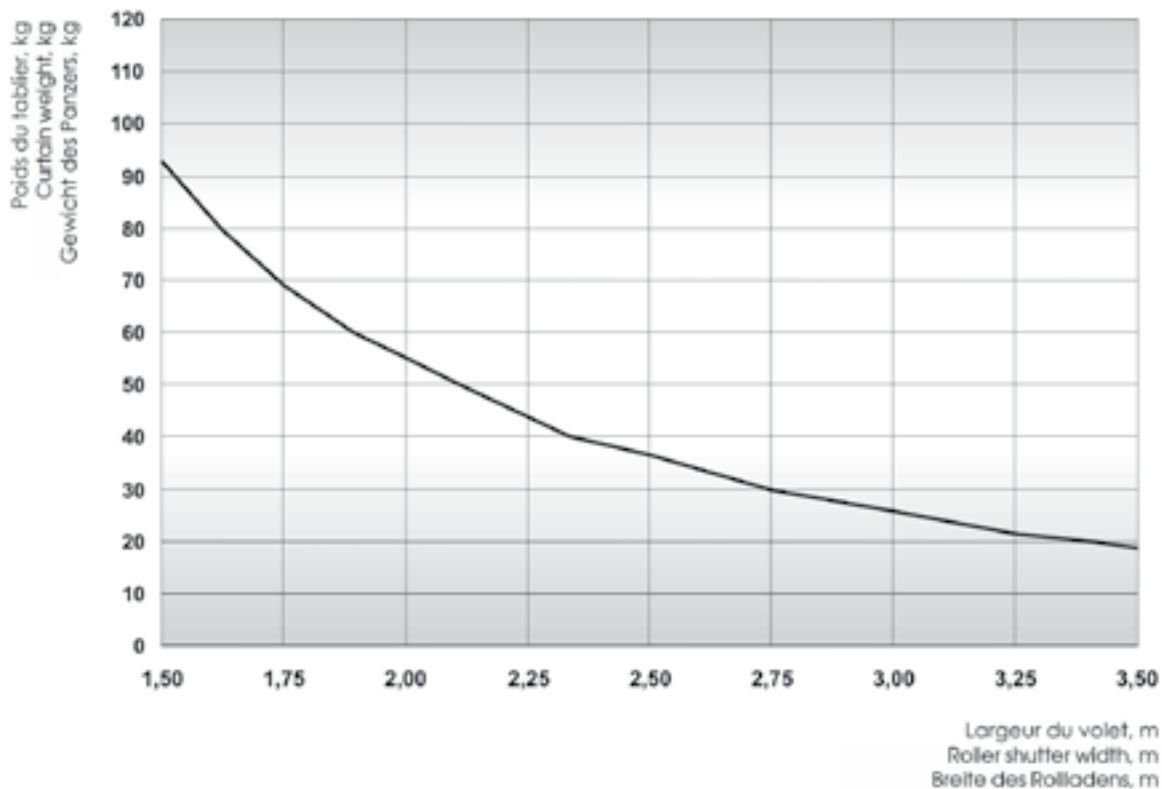
Galvanisé
Galvanized
Galvanisiert



Référence • Article • Artikel	Code • Code • Code
RT60x0,6	1080310

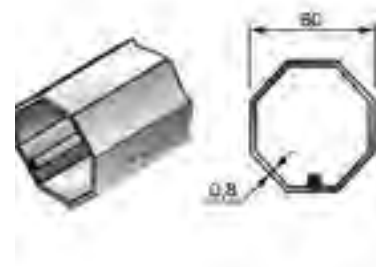
Poids de 1 ml, kg / Weight per 1 m, kg / Gewicht je lfd.m, kg0,935
 Longueur standardisée, m / Standard length, m / Produktionslänge, m6,0
 Commande standardisée, m / Standard pack, m / Verpackungseinheit, m..... 36,0

**DIAGRAMME DES PARAMÈTRES
PARAMETER DIAGRAM
PARAMETERDIAGRAMM**



RT60x0,8 | TUBE OCTOGONAL | OCTAGONAL ROLL TUBE | ACHTKANTWELLE

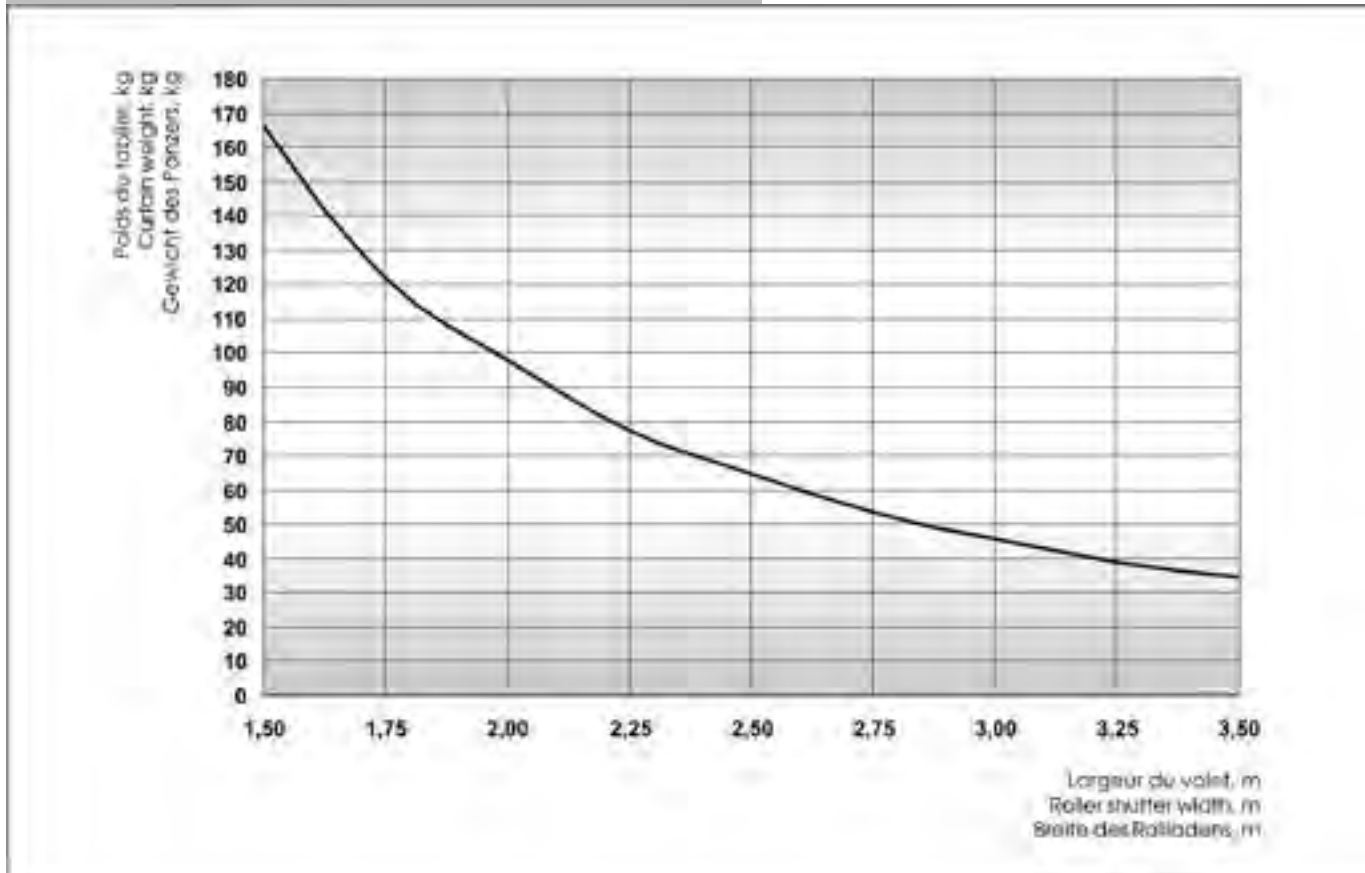
Galvanisé
Galvanized
Galvanisiert



Référence • Article • Artikel	Code • Code • Code
RT60x0,8	1080300

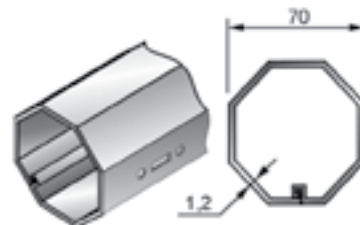
Poids de 1 ml, kg / Weight per 1 m, kg / Gewicht je lfd.m, kg1,320
 Longueur standardisée, m / Standard length, m / Produktionslänge, m6,0
 Commande standardisée, m / Standard pack, m / Verpackungseinheit, m..... 36,0

**DIAGRAMME DES PARAMÈTRES
PARAMETER DIAGRAM
PARAMETERDIAGRAMM**



RT70x1,2 | TUBE OCTOGONAL | OCTAGONAL ROLL TUBE | ACHTKANTWELLE

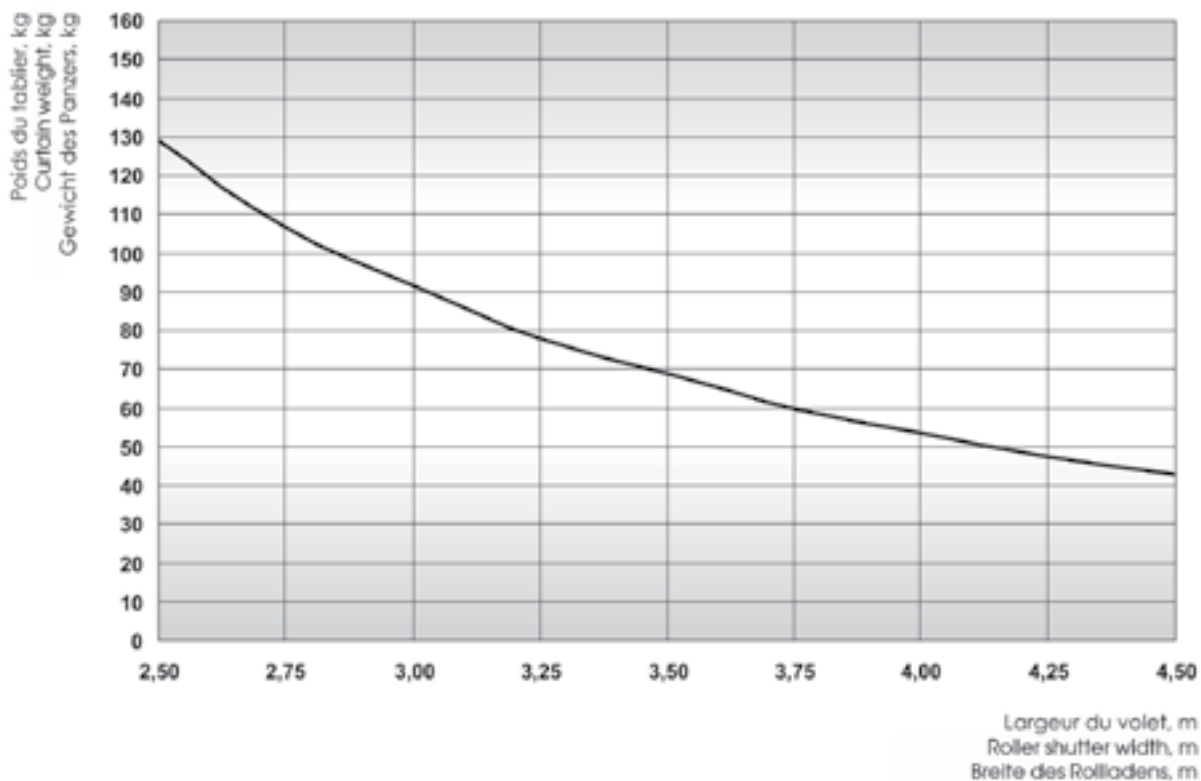
Galvanisé
Galvanized
Galvanisiert



Référence • Article • Artikel	Code • Code • Code
RT70x1,2	1080400

Poids de 1 ml, kg / Weight per 1 m, kg / Gewicht je lfd.m, kg2,470
 Longueur standardisée, m / Standard length, m / Produktionslänge, m6,0
 Commande standardisée, m / Standard pack, m / Verpackungseinheit, m.....6,0

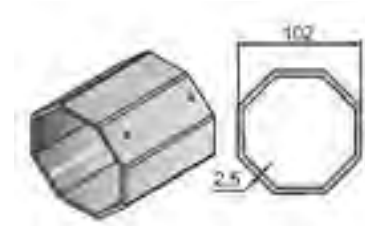
**DIAGRAMME DES PARAMÈTRES
PARAMETER DIAGRAM
PARAMETERDIAGRAMM**



RT102x2,5 | TUBE OCTOGONAL | OCTAGONAL ROLL TUBE | ACHTKANTWELLE

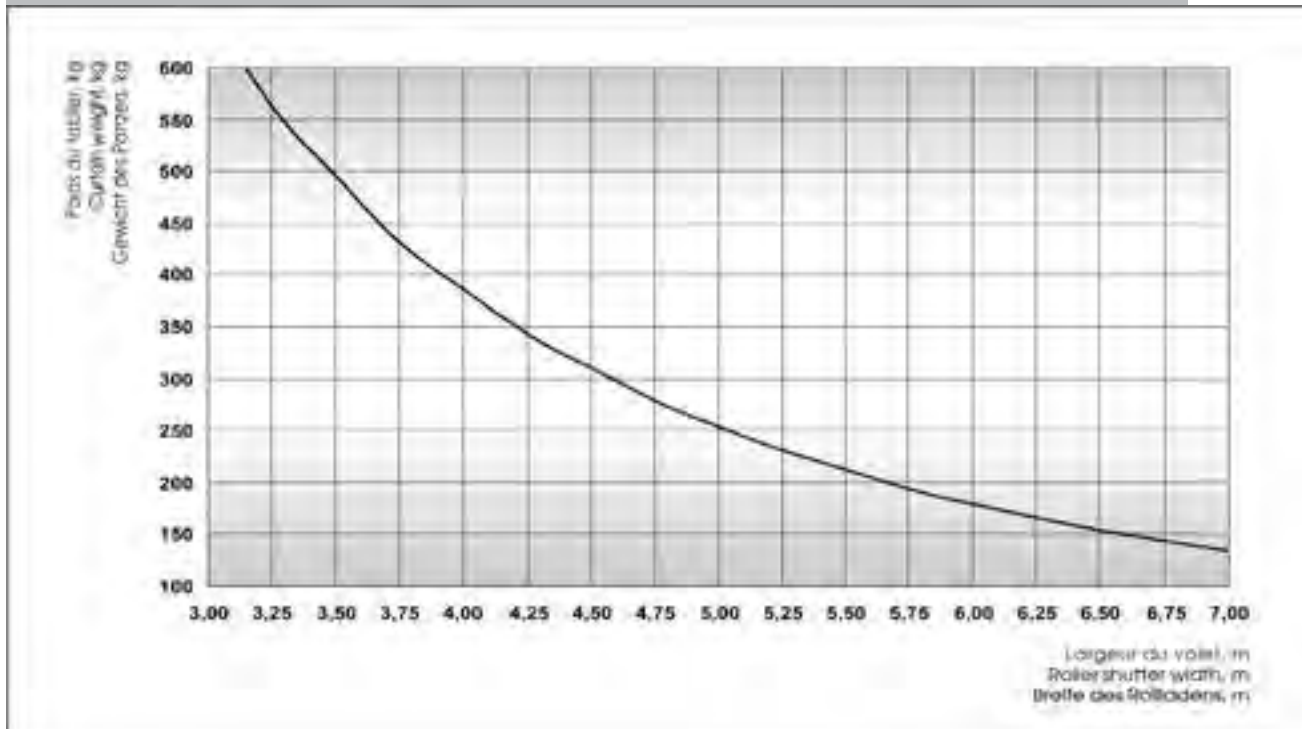
Galvanisé | Galvanized | Galvanisiert

Référence • Article • Artikel	Code • Code • Code
RT102x2,5	1080500
	1080502
	1080503



Poids de 1 ml, kg / Weight per 1 m, kg / Gewicht je lfd.m, kg6,440
 Emballage standard (Code 1080503), m / Standard pack (code 1080503), m / Verpackungseinheit (Code 1080503), m.....5,0
 Emballage standard (Code 1080500), m / Standard pack (code 1080500), m / Verpackungseinheit (Code 1080500), m.....6,0
 Emballage standard (Code 1080502), m / Standard pack (code 1080502), m / Verpackungseinheit (Code 1080502), m.....7,0

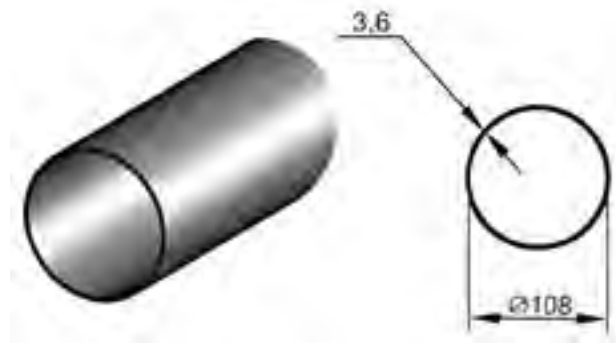
DIAGRAMME DES PARAMÈTRES | PARAMETER DIAGRAM | PARAMETERDIAGRAMM



RT108x3,6 | TUBE ROND | ROUND ROLL TUBE | RUNDWELLE

Galvanisé
Galvanized
Galvanisiert

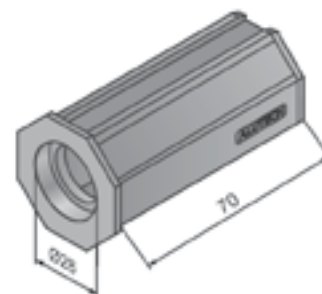
Référence • Article • Artikel	Code • Code • Code
RT108x3,6	1080505



Longueur standardisée, m / Standard length, m / Produktionslänge, m8,0

BBC40 | EMBOUT POUR PALIER | BEARING CAP | KAPSEL FÜR LAGER

ABS, à utiliser avec le palier **BB12×28**. Pour le tube octo **40 mm**
 ABS, can be used with **BB12×28** bearing. For 40 mm octagonal roll tube
 ABS, für Lager **BB12×28**. Für Achtkantwelle 40 mm

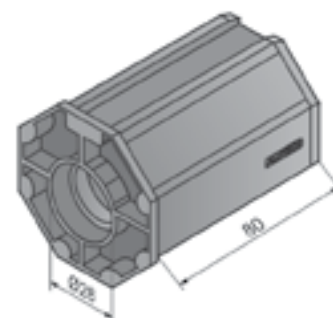


Référence • Article • Artikel	Code • Code • Code
BBC40	1110310

Commande standardisée, pièces / Standard pack, pcs / Verpackungseinheit, Stk60

BBC60 | EMBOUT POUR PALIER | BEARING CAP | KAPSEL FÜR LAGER

ABS, à utiliser avec le palier **BB12×28**. Pour le tube octo **RT60×0,6, RT60×0,8**
 ABS, can be used with **BB12×28** bearing. For 60 mm octagonal roll tube
 ABS, für Lager **BB12×28**. Für Achtkantwelle 60 mm



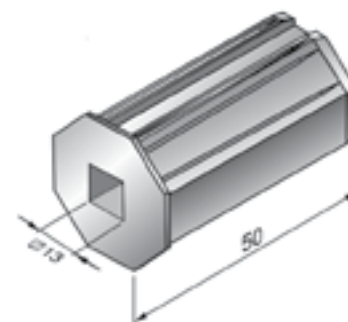
Référence • Article • Artikel	Code • Code • Code
BBC60	1110330

Commande standardisée, pièces / Standard pack, pcs / Verpackungseinheit, Stk70

BP40×13AL, BP60×13AL | EMBOUT DE RÉDUCTEUR | GEAR CAP | WALZENKAPSEL FÜR GETRIEBE

Fabriquée en aluminium
 Aluminium
 Aluminium

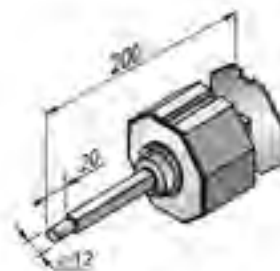
Référence Article Artikel	Pour le Tube: For roll tube: Für Welle:	Code Code Code
BP40×13AL	40 mm	1100901
BP60×13AL	60 mm	1100902



Commande standardisée, pièces / Standard pack, pcs / Verpackungseinheit, Stk20

APB60, APB60AL, APB70, APB70AL, APB102/B | EMBOUT MODULABLE | ADJUSTABLE CAP | WELLENBOLZEN

Référence Article Artikel	Pour le Tube:	For roll tube:	Für Welle:	Code Code Code	Commande standardisée, pièces Standard pack, pcs Verpackungseinheit, Stk
APB60	60 mm - Plastique	60 mm - plastic	60 mm - Kunststoff	1110101	10
APB60AL	60 mm - Alu	60 mm - aluminium	60 mm - Aluminium	1110102	10
APB70	70 mm - Plastique	70 mm - plastic	70 mm - Kunststoff	1110103	10
APB70AL	70 mm - Alu	70 mm - aluminium	70 mm - Aluminium	1110104	10
APB102/B	102 mm - Alu	102 mm - aluminium	102 mm - Aluminium	1110106	2



FS18/APB | PIERCE DE BLOCAGE POUR EMBOUT MODULABLE | ADJUSTABLE CAP RETAINER | WELLENBOLZEN-FIXIERUNG

En acier, à utiliser avec les embouts modulables **APB70AL** et **APB102/B**
 Steel, to be used with **APB70AL** and **APB102/B** adjustable caps
 Stahl, wird mit Wellenbolzen **APB70AL** und **APB102/B** verwendet



Référence • Article • Artikel	Code • Code • Code
FS18/APB	312034000

APB102/S | EMBOUT MODULABLE | ADJUSTABLE CAP | WELLENBOLZEN

Acier
 Steel
 Stahl

Référence Article Artikel	Pour le Tube: For roll tube: Für die Welle:	Code Code Code	Commande standardisée, pièces Standard pack, pcs Verpackungseinheit, Stk
APB102/S	102 mm	1110108	1



Commande standardisée, pièces / Standard pack, pcs / Verpackungseinheit, Stk..... 1

GC40 | EMBOUT DE REDUCTEUR | GEAR CAP | WALZENKAPSEL FÜR GETRIEBE

ABS, à utiliser avec le réducteur **W35M**. Pour le tube octo **40 mm**
 ABS, can be used with **W35M** gear. For 40 mm octagonal roll tube
 ABS, mit Vierkantloch, für Getriebe **W35M**. Für Achkantwelle 40 mm

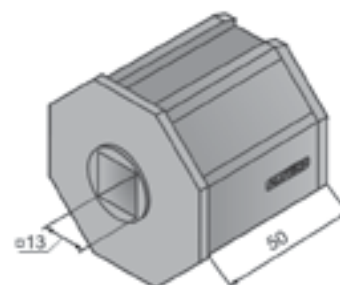


Référence • Article • Artikel	Code • Code • Code
GC40	1110320

Commande standardisée, pièces / Standard pack, pcs / Verpackungseinheit, Stk.....60

GC60 | EMBOUT DE REDUCTEUR | GEAR CAP | WALZENKAPSEL FÜR GETRIEBE

ABS, à utiliser avec le réducteur **W35M**. Pour le tube octo **RT60×0,6, RT60×0,8**
 ABS, can be used with **W35M** gear. For 60 mm octagonal roll tube
 ABS, mit Vierkantloch, für Getriebe **W35M**. Für Achtkantwelle 60 mm



Référence • Article • Artikel	Code • Code • Code
GC60	1110340

Commande standardisée, pièces / Standard pack, pcs / Verpackungseinheit, Stk70

KU40 | EMBOUT UNIVERSEL | UNIVERSAL CAP | UNIVERSALKAPSEL

ABS, trois options d'application:
 – avec le palier **BB12×28**;
 – avec la poulie **TP125-TP190**;
 – avec le joint **INS** pour le réducteur **W35M**.

À utiliser pour le tube octo de 40 mm

ABS, can be used:

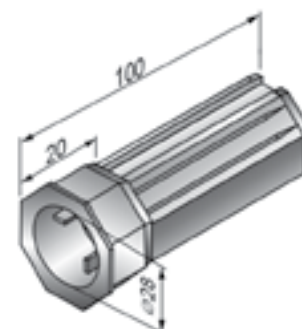
- with **BB12×28** bearing;
- with **TP125-TP190** strap pulley;
- with **INS** adapter for **W35M** gear.

For 40 mm roll tube

ABS, wird in drei Varianten eingesetzt:

- für Lager **BB12×28**;
- für Scheibe **TP125-TP190**;
- mit Einlage **INS** für Getriebe **W35M**.

Für Achtkantwelle 40 mm



Référence • Article • Artikel	Code • Code • Code
KU40	1110200

Commande standardisée, pièces / Standard pack, pcs / Verpackungseinheit, Stk60

KU60 | EMBOUT UNIVERSEL | UNIVERSAL CAP | UNIVERSALKAPSEL

ABS, trois options d'application:
 – avec le palier **BB12×28**;
 – avec la poulie **TP125-TP190**;
 – avec le joint **INS** pour le réducteur **W35M**.

À utiliser pour le tube octo de 60 mm

ABS, can be used:

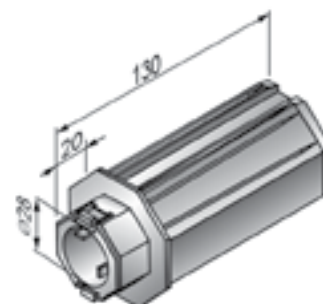
- with **BB12×28** bearing;
- with **TP125-TP190** strap pulley;
- with **INS** adapter for **W35M** gear.

For 60 mm roll tube

ABS, wird in drei Varianten eingesetzt:

- für Lager **BB12×28**;
- für Scheibe **TP125-TP190**;
- mit Einlage **INS** für Getriebe **W35M**.

Für Achtkantwelle 60 mm



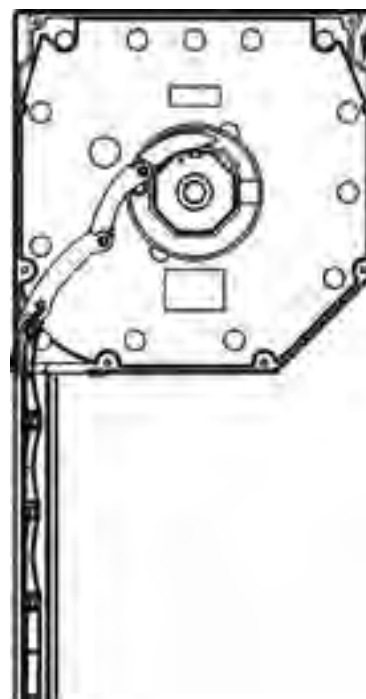
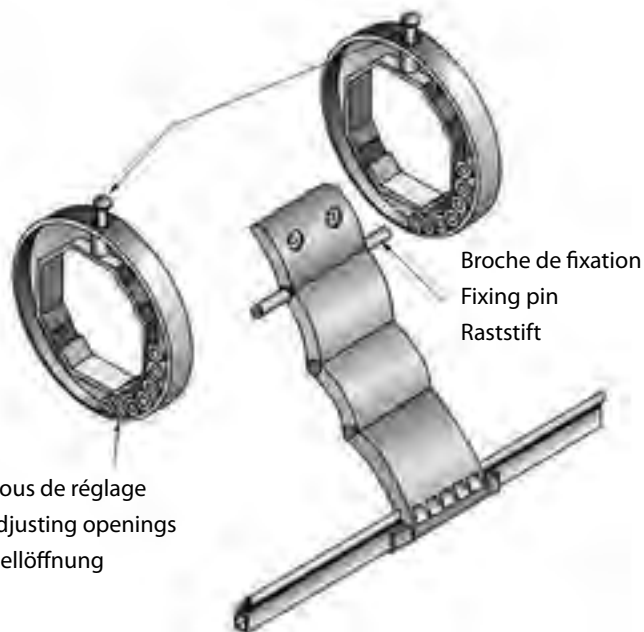
Référence • Article • Artikel	Code • Code • Code
KU60	1110300

Commande standardisée, pièces / Standard pack, pcs / Verpackungseinheit, Stk90

VERROU DE SÉCURITÉ | SECURITY LOCK | HOCHSCHIEBESICHERUNG

VERROU DE SÉCURITÉ | SECURITY LOCK ASSEMBLY | ZUSAMMENBAU DER HOCHSCHIEBESICHERUNG

Vis de fixation sur le tube octo
Screw attaching to octagonal roll tube
Befestigungsschraube zur Achtkantwelle



R40, R60, R70 | BAGUE D'ENROULEMENT POUR VERROU DE SÉCURITÉ | SECURITY LOCK RING | AUFSTECKRING



Référence • Article • Artikel	Pour le Tube • For roll tube: • Für Welle:	Code • Code • Code
R40	RT40×0,5, RT40×0,6	1113101
R60	RT60×0,6, RT60×0,8	1113102
R70	RT70×1,2	1113103

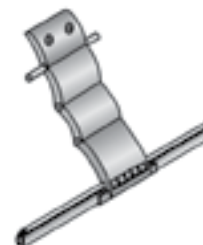
Commande standardisée, pièces / Standard pack, pcs / Verpackungseinheit, Stk 100

RG2, RG3, RG4 | VERROU DE SÉCURITÉ | SECURITY LOCK | HOCHSCHIEBESICHERUNG

ABS en plastique, les axes en laiton, les profils en aluminium, les ressorts en. Pour monter le tablier et le bloquer dans la position fermée. Pour les lames **AR/55, AR/555, ARH/55, AER55/S, AEG56, AEG30/S, AER56**

ABS-plastic, axes — brass, profile — aluminium, springs — steel. Used to raise the curtain and lock it in down position. For **AR/55, ARH/55, AR/555, AER55/S, AEG56, AEG30/S, AER56** profiles

ABS-Kunststoff, Achse — Messing, Profil — Aluminium, Feder - Stahl, zum Hochziehen des Panzers und Fixieren in der unteren Lage. Für Profile **AR/55, AR/555, ARH/55, AER55/S, AEG56, AEG30/S, AER56**



Référence • Article • Artikel	Description • Description • Beschreibung	Code • Code • Code	Commande standardisée, pièces • Standard pack, pcs • Verpackungseinheit, Stk
RG2	2 éléments of 2 segments 2-gliedrig	1113201	75
RG3	3 éléments of 3 segments 3-gliedrig	1113202	50
RG4	4 éléments of 4 segments 4-gliedrig	1113203	50

RGM2, RGM3, RGM4 | VERROU DE SÉCURITÉ | SECURITY LOCK | HOCHSCHIEBESICHERUNG

ABS en plastique, les axes en laiton, les profils en aluminium, les ressorts en. Pour monter le tablier et le bloquer dans la position fermée. Pour les lames **AR/36 AR/375, AR/39, AR/40, ARH/40, AR/41, AR/45, AR/52, AR/55m, AER42, AER44m/S, AER44S**

ABS plastic, axes — brass, profile — aluminium, springs — steel. Used to raise the curtain and lock it in down position. For **AR/36 AR/375, AR/39, AR/40, ARH/40, AR/41, AR/45, AR/52, AR/55m, AER42, AER44m/S, AER44S** profiles

ABS-Kunststoff, Achse — Messing, Profil — Aluminium, Feder — Stahl, zum Hochziehen des Panzers und Fixieren in der unteren Lage. Für Profile **AR/36 AR/375, AR/39, AR/40, ARH/40, AR/41, AR/45, AR/52, AR/55m, AER42, AER44m/S, AER44S**



Référence • Article • Artikel	Description • Description • Beschreibung	Code • Code • Code	Commande standardisée, pièces • Standard pack, pcs • Verpackungseinheit, Stk
RGM2	2 éléments of 2 segments 2-gliedrig	1113301	75
RGM3	3 éléments of 3 segments 3-gliedrig	1113302	50
RGM4	4 éléments of 4 segments 4-gliedrig	1113303	50

RGM/Q, RGM2/Q, RGM3/Q | VERROU DE SÉCURITÉ | SECURITY LOCK | HOCHSCHIEBESICHERUNG

Éléments en polyamide, axes en acier inoxydable, ressorts en plastique, à utiliser pour monter le tablier et le bloquer dans la position fermée. Pour les VR avec le poids du tablier allant jusqu'à 35 kg ou le moteur électrique à couple jusqu'à 30Nm. Pour les lames **AR/377, AR/39, AR/40, ARH/40, AR/41, AER42, AR/45, AR/52, AR/555, AR/55m, AER44m/S, AER44/S.**

Segments – polyamide, axes – stainless steel, springs – plastic, used to raise the curtain and lock it in down position. For the roller shutters with weight up to 35 kg or the electric motor with torque up to 30Nm. For **AR/377, AR/39, AR/40, ARH/40, AR/41, AER42, AR/45, AR/52, AR/555, AR/55m, AER44m/S, AER44/S** profiles.

Glieder der Hochschiebesicherung – Polyamid, Ösen – rostfreier Stahl, Feder – Kunststoff. Zum Öffnen und zur Sperrung des Rolltorpanzers in der geschlossenen Lage. Für Rollläden mit max. Panzer-Gewicht von 35 kg oder Elektroantrieb mit max. Drehmoment von 30 Nm. Für Profile **AR/377, AR/39, AR/40, ARH/40, AR/41, AER42, AR/45, AR/52, AR/555, AR/55m, AER44m/S, AER44/S.**



Référence • Article • Artikel	Description • Description • Beschreibung	Code • Code • Code	Commande standardisée, pièces • Standard pack, pcs • Verpackungseinheit, Stk
RGM/Q	1 élément of 1 segment 1 Glied	311014000	50
RGM2/Q	2 éléments of 2 segments 2 Glieder	311015000	50
RGM3/Q	3 éléments of 3 segments 3 Glieder	311016000	50

R60/S, R70/S | BAGUE EN DEUX PARTIES | BUILT-UP RINGS | AUFSTECKRING

Polyéthylène, composée de deux demi-bagues, à utiliser avec les verrous de sécurité **RGM, RGM/U, RG, RG/U.**

Polyethylene, composed of two half-rings, to be used with **RGM, RGM/U, RG, RG/U** security locks.

Polyäthylen, bestehend aus zwei Halbringen. Einsatz zusammen mit Hochschiebesicherungen **RGM, RGM/U, RG, RG/U.**



Référence • Article • Artikel	Pour le Tube: • For roll tube: • Für Welle:	Code • Code • Code
R60/S	RT60×0,6; RT60×0,8	311017000
R70/S	RT70×1,2	311018000

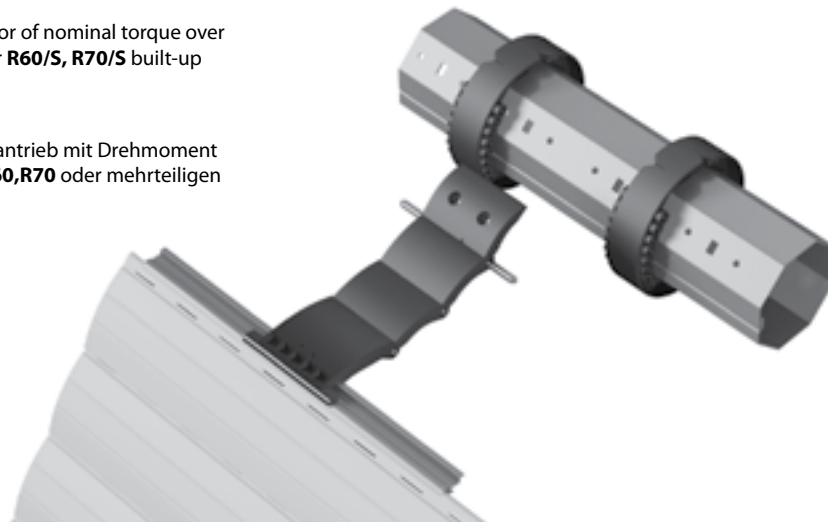
Commande standardisée, pièces / Standard pack, pcs / Verpackungseinheit, Stk 100

RGM/U, RG/U | VERROU DE SÉCURITÉ | SECURITY LOCK | HOCHSCHIEBESICHERUNG

Verrou renforcé pour les volets roulants avec le moteur électrique à couple plus de 30 Nm. A utiliser avec les bagues d'enroulement **R40, R60, R70** ou les bagues en deux parties **R60/S, R70/S**.

Reinforced security lock for roller shutters with electric motor of nominal torque over 30 Nm. To be used with **R40, R60, R70** security lock rings or **R60/S, R70/S** built-up rings.

Verstärkte Hochschiebesicherung für Rollläden mit Elektroantrieb mit Drehmoment von mehr als 30 Nm. Einsetzbar mit Aufsteckringen **R40, R60, R70** oder mehrteiligen Ringen **R60/S, R70/S**.



Référence • Article • Artikel	Description • Description • Beschreibung	Pour les lames • For profiles • Für Profile	Code • Code • Code	Commande standardisée, pièces • Standard pack, pcs • Verpackungseinheit, Stk
RG2U	2 éléments of 2 segments 2 Sektionen	AG/77, AG/77H, AR/555, AR/55, ARH/55, ARH/37S, AER55/S, AER55m/S, AEG56, AEG30/S, AER56	311005000	75
RG3U	3 éléments of 3 segments 3 Sektionen		311006000	50
RG4U	4 éléments of 4 segments 4 Sektionen		311007000	50
RGM2U	2 éléments of 2 segments 2 Sektionen	AR/377, AR/39, AR/41, AR/45, AR/40, ARH/40, AR/55m, AR/52, AER42, AER44m/S, AER44/S	311008000	75
RGM3U	3 éléments of 3 segments 3 Sektionen		311009000	50
RGM4U	4 éléments of 4 segments 4 Sektionen		311010000	50

ACCROCHE DU TABLIER TYPE « ESCARGOT » SUSPENSION SYSTEM "SNAIL" SYSTEM DER PANZERAUFHÄNGUNG „SCHNECKE“

1	Lame de fixation AEG77F
	Retainer profile AEG77F Befestigungsleiste AEG77F
4	Bague de distance RDS70/77
	Distance ring RDS70/77 Adapterring RDS70/77
3	Tube RT70x1,2
	Roll Tube RT70x1,2 Welle RT70x1,2

1	Attache du tablier SS190RDS
	Retainer spring SS190RDS Stahlbandaufhänger SS190RDS
4	Bague de distance RDS70/77
	Distance ring RDS70/77 Adapterring RDS70/77
3	Tube RT70x1,2
	Roll Tube RT70x1,2 Welle RT70x1,2



Grâce à l'enroulement plus compact du tablier vous pouvez choisir des composants plus petits (caissons et bouchons latéraux).

More compact winding contributes to the choice of smaller accessories – shutter boxes and caps.

Dank dem kompakten Wickeln können kleinere Typen von Blendenkästen und Blendenkappen verwendet werden.

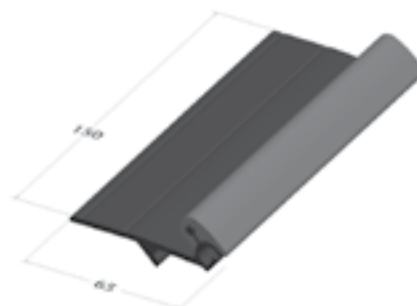


PARAMETRES D'ENROULEMENT DE LA LAME AVEC LE SYSTEME « ESCARGOT » WINDING PARAMETERS OF THE PROFILE WITH "SNAIL" SUSPENSION SYSTEM WICKELWERTE DES PROFILS MIT DEM SYSTEM DER PANZERAUFHÄNGUNG „SCHNECKE“

LAME ALU POUR PG ALUMINIUM PROFILE ALUMINIUMPROFIL	Dimension de caisson, mm Shutter box size, mm Typengröße des Blendenkastens, mm	Lame de fixation AEG77F+ bague RDS70/77 Retainer profile AEG77F+ ring RDS70/77 Befestigungsleiste AEG77F + Adapterring RDS70/77, mm	Attache du tablier SS190RDS+ bague RDS70/77 Retainer spring SS190RDS + ring RDS70/77 Stahlbandaufhänger SS190RDS + Adapterring RDS70/77, mm
AG/77	250	1 694	1 617
	300	2 849	2 772
	360	4 543	4 543
	405	6 160	5 929

AEG77F | PROFILÉ DE FIXATION | RETAINER PROFILE | BEFESTIGUNGSLEISTE

Alu, extrudé. A utiliser avec les lames **AG/77**, **AG/77H** et le tube octo **RT70x1,2**
 Aluminium, extruded. To use with profiles **AG/77**, **AG/77H** and **RT70x1,2** octagonal tube
 Aluminium, strangepresst. Wird mit Profilen **AG/77**, **AG/77H** und Achtkantwelle **RT70x1,2** verwendet

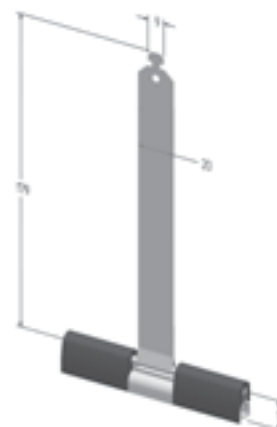


Coloris	Colour	Farbe	Code • Code • Code
brut	mill-finished	blank	303024100
blanc	white	weiß	303024101

Poids, kg / Weight, kg / Gewicht, kg0,113
 Longueur standardisée, m / Standard length, m / Produktionslänge, m 0,15
 Commande standardisée, pièces / Standard pack, pcs / Verpackungseinheit, Stk 200

SS190RDS | ATTACHE DU TABLIER | RETAINER SPRING | STAHLBANDAUFHÄNGER

A utiliser avec les lames **AG/77**, **AG/77H**, la bague de distance **RDS70/77**
 For **AG/77**, **AG/77H** profiles, **RDS70/77** distance ring
 Für Profile **AG/77**, **AG/77H** und Aufsteckring **RDS70/77**

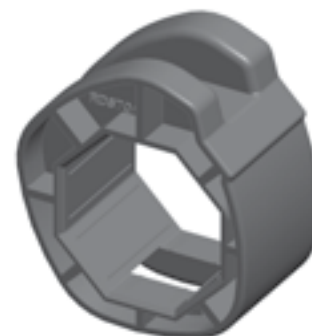


Référence • Article • Artikel	Code • Code • Code
SS190RDS	311004000

Commande standardisée, pièces / Standard pack, pcs / Verpackungseinheit, Stk50

RDS70/77 | BAGUE DE DISTANCE | DISTANCE RING | ADAPTERRING

Polyamide.
 Polyamide.
 Polyamid.



Pour le Tube For roll tube Für Welle	ø D, mm	Code • Code • Code
RT70x1,2	118	311003000

Commande standardisée, pièces / Standard pack, pcs / Verpackungseinheit, Stk25

AER37F | PROFILÉ DE FIXATION | RETAINER PROFILE | BEFESTIGUNGSLEISTE

En aluminium, extrudée. A utiliser avec la lame **ARH/37S**.
Aluminium, extruded. Used with **ARH/37S** profile.
Aluminium, stranggepresst. Wird zusammen mit Profil **ARH/37S** verwendet.



Coloris	Colour	Farbe	Code • Code • Code
brut	mill-finished	blank	302009100
blanc	white	weiß	302009101

Brut • Mill-finished • blank

Poids d'une pièce, kg / Weight per 1 piece, kg / Gewicht 1 Stk, kg0,053

Blanc • White • weiss

Poids d'une pièce, kg / Weight per 1 piece, kg / Gewicht 1 Stk, kg0,055

Longueur d'une lame, m / Length of 1 profile, m / Länge von 1 Profil, m 0,15

Commande standardisée, pièces / Standard pack, pcs / Verpackungseinheit, Stk 100

AER44F | PROFILÉ DE FIXATION | RETAINER PROFILE | BEFESTIGUNGSLEISTE

Extrudée en aluminium, à utiliser avec les lames **AER44/S, AER44m/S**
Aluminium, extruded. Used with **AER44/S, AER44m/S**
Aluminium, stranggepresst. Für Profil **AER44/S, AER44m/S**



Coloris	Colour	Farbe	Code • Code • Code
brut	mill-finished	blank	1020440
blanc	white	weiß	1020441

Longueur standardisée, m / Standard length, m / Produktionslänge, m4,0

Commande standardisée, m / Standard pack, m / Verpackungseinheit, m 20,0

AER55F/SCR | PROFILÉ DE FIXATION | RETAINER PROFILE | BEFESTIGUNGSLEISTE

En aluminium, extrudée. A utiliser avec la lame **AER55m/S**.
Aluminium, extruded. Used with **AER55m/S** profile.
Aluminium, stranggepresst. Wird zusammen mit Profil **AER55m/S** verwendet.

**NOUVEAUTÉ
NEW
NEUHEIT**



Coloris	Colour	Farbe	Code • Code • Code
brut	mill-finished	blank	1020540
blanc	white	weiß	1020541

Longueur standardisée, m / Standard length, m / Produktionslänge, m6,0

Commande standardisée, m / Standard pack, m / Verpackungseinheit, m 24,0

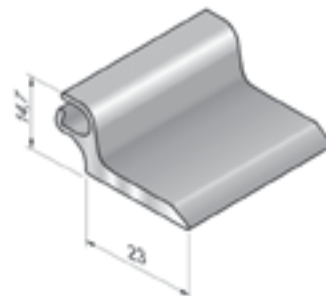
AEG56F | PROFILÉ DE FIXATION | RETAINER PROFILE | BEFESTIGUNGSLEISTE

Extrudée en aluminium, à utiliser avec les lames **AEG56, AER56** et **AEG30/S**

Aluminium, extruded. Used with **AEG56, AER56** and **AEG30/S** profiles

Aluminium, stranggepresst. Wird mit Profilen **AEG56, AER56** und **AEG30/S** verwendet

Coloris	Colour	Farbe	Code • Code • Code
brut	mill-finished	blank	1033800
blanc	white	weiß	1033801



Poids de 1 ml, kg / Weight per 1 m, kg / Gewicht je lfd.m, kg	0,338
Longueur standardisée, m / Standard length, m / Produktionslänge, m	7,0
Commande standardisée, m / Standard pack, m / Verpackungseinheit, m.....	35,0

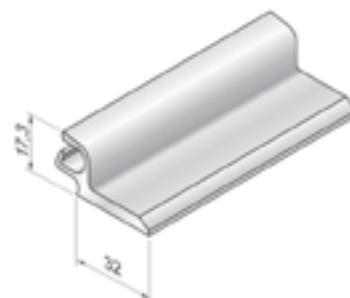
AEG84F | PROFILÉ DE FIXATION | RETAINER PROFILE | BEFESTIGUNGSLEISTE

Extrudée en aluminium, compatible avec les lames **AER84, AEG84, AEG45/S, AG/77, AG/77H**

Aluminium, extruded. Used with **AER84, AEG84, AEG45/S, AG/77, AG/77H** profiles

Aluminium, stranggepresst. Wird mit Profilen **AER84, AEG84, AEG45/S, AG/77, AG/77H** verwendet

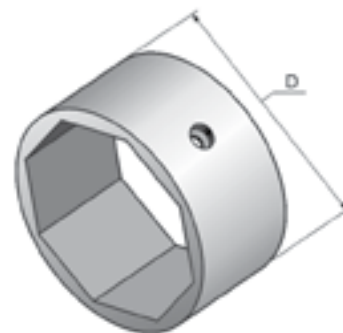
Coloris	Colour	Farbe	Code • Code • Code
brut	mill-finished	blank	1034120
blanc	white	weiß	1034121



Poids de 1 ml, kg / Weight per 1 m, kg / Gewicht je lfd.m, kg	0,532
Longueur standardisée, m / Standard length, m / Produktionslänge, m	7,0
Commande standardisée, m / Standard pack, m / Verpackungseinheit, m.....	35,0

RD40, RD60, RD70, RD102 | BAGUE DE DISTANCE | DISTANCE RING | ADAPTERRING

Référence	Pour le Tube	Code	Commande standardisée, pièces
Article	For roll tube	Code	Standard pack, pcs
Artikel	Für Welle	Code	Verpackungseinheit, Stk
RD40	RT40×0,5, RT40×0,6	1113031	100
RD60	RT60×0,6, RT60×0,8	1113032	100
RD70*	RT70×1,2	1113033	75
RD102	RT102×2,5	1113034	30



* Pour améliorer le fonctionnement des portes enroulables il est conseillé de fixer le tablier au tube par la lame AEG77F avec des anneaux RDS70/77.

** We recommend using retainer profile AEG77F with adjusting rings RDS70/77 as a curtain's fixing to octagonal tube to improve the technical characteristics of roller doors.

*** Bei Panzeraufhängung ist es empfohlen für Verbesserung der Funktion des Rollltores das Befestigungsprofil AEG77F mit Adapterringen RDS70/77 zu verwenden.

SS1301 | ATTACHE DU TABLIER | RETAINER SPRING | STAHLBANDAUFHÄNGER

Fabriquée en acier, pour les lames **AR/377, AR/39, AR/40, ARH/40, AR/45, AER44/S, AER42, AR/41, AR/55m**. Pour tubes octo de 40-70 mm et les caissons 125-180 mm
 Steel, for **AR/377, AR/39, AR/40, ARH/40, AR/45, AER44/S, AER42, AR/41, AR/55m** profiles. For 40-70 mm octagonal tubes and 125-180 mm shutter boxes
 Stahl. Für Profile **AR/377, AR/39, AR/40, ARH/40, AR/45, AER44/S, AER42, AR/41, AR/55m**. Für Achtkantwellen 40-70 mm und für Blendenkästen 125-180 mm



Référence • Article • Artikel	Code • Code • Code
SS1301	1111900

Commande standardisée, pièces / Standard pack, pcs / Verpackungseinheit, Stk 250

SS1701 | ATTACHE DU TABLIER | RETAINER SPRING | STAHLBANDAUFHÄNGER

Fabriquée en acier, pour les lames **AR/377, AR/39, AR/40, ARH/40, AR/45, AER44/S, AER42, AR/41, AR/55m**. Pour tubes octo de 40-70 mm et les caissons 205-250 mm
 Steel, for **AR/377, AR/39, AR/40, ARH/40, AR/45, AER44/S, AER42, AR/41, AR/55m** profiles. For 40-70 mm octagonal tubes and 205-250 mm shutter boxes
 Stahl. Für Profile **AR/377, AR/39, AR/40, ARH/40, AR/45, AER44/S, AER42, AR/41, AR/55m**. Für Achtkantwellen 40-70 mm und für Blendenkästen 205-250 mm



Référence • Article • Artikel	Code • Code • Code
SS1701	1112200

Commande standardisée, pièces / Standard pack, pcs / Verpackungseinheit, Stk 250

SS1901 | ATTACHE DU TABLIER | RETAINER SPRING | STAHLBANDAUFHÄNGER

Fabriquée en acier, pour les lames **AR/52, AR/55, AR/555, ARH/55, AER55/S, AER55m/S, AG/77, AG/77H**. Pour tubes octo de 60-70 mm et les caissons 180-360 mm
 Steel, for **AR/52, AR/55, AR/555, ARH/55, AER55/S, AER55m/S, AG/77, AG/77H** profiles. For 60-70 mm octagonal tubes and 180-360 mm shutter boxes
 Stahl. Für Profile **AR/52, AR/55, AR/555, ARH/55, AER55/S, AER55m/S, AG/77, AG/77H**. Für Achtkantwellen 60-70 mm und für Blendenkästen 180-360 mm



Référence • Article • Artikel	Code • Code • Code
SS1901	1112400

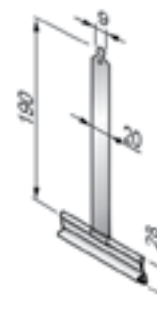
Commande standardisée, pièces / Standard pack, pcs / Verpackungseinheit, Stk 250

SS190 | ATTACHE DU TABLIER | RETAINER SPRING | STAHLBANDAUFHÄNGER

Fabriquée en acier, pour les lames **AR/52, AR/55, AR/555, ARH/55, AER55/S, AER55m/S, AG/77, AG/77H**. Pour tubes octo et rond de 102-108 mm et les caissons 180-360 mm

Steel, for **AR/52, AR/55, AR/555, ARH/55, AER55/S, AER55m/S, AG/77, AG/77H** profiles. For 102-108 mm octagonal and round tubes and 180-360 mm shutter boxes

Stahl. Für Profile **AR/52, AR/55, AR/555, ARH/55, AER55/S, AER55m/S, AG/77, AG/77H**. Für Achtkant- und Rundwellen 102-108 mm und für Blendenkästen 180-360 mm



Référence • Article • Artikel	Code • Code • Code
SS190	1112300

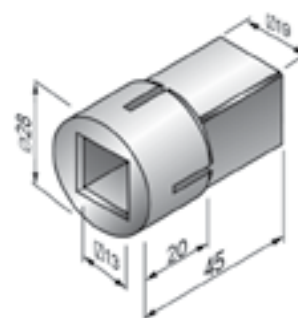
Commande standardisée, pièces / Standard pack, pcs / Verpackungseinheit, Stk 250

INS | ADAPTATEUR | ADAPTER | WALZENKAPPE

ABS, à utiliser avec les embouts universels **KU40** et **KU60**

ABS, applied with **KU40** and **KU60** universal caps

ABS, zur Verwendung mit Universalkapseln **KU40** und **KU 60**



Référence • Article • Artikel	Code • Code • Code
INS	1110400

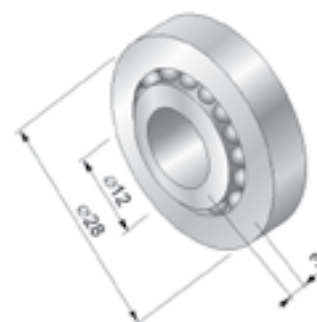
Commande standardisée, pièces / Standard pack, pcs / Verpackungseinheit, Stk 100

BB12x28 | PALIER | BALL BEARING | KUGELLAGER

Fabriquée en acier à bague intérieur en acier

Steel, with steel inner ring

Stahl, Innenring aus Stahl



Référence • Article • Artikel	Code • Code • Code
BB12x28	1110500

Commande standardisée, pièces / Standard pack, pcs / Verpackungseinheit, Stk 200

SBB28 | SUPPORT DU PALIER | BALL BEARING SUPPORT | ANSCHRAUBLAGER

Fabriqué en acier, pour le palier **BB12x28**

Steel, for **BB12x28** bearing

Stahl, für Kugellager **BB12x28**

Référence • Article • Artikel	Code • Code • Code
SBB28	1110600



Commande standardisée, pièces / Standard pack, pcs / Verpackungseinheit, Stk 100

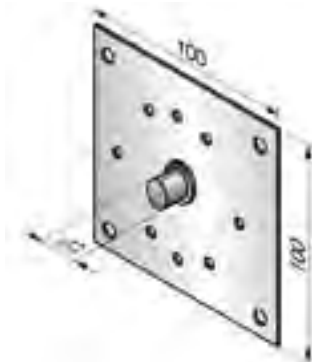
SBB12/100 | SUPPORT DU PALIER | BALL BEARING SUPPORT | LAGERPLATTE

Fabriqué en acier, installé dans les joues laterales **SF250a** et **SF300a**. Peut être utilisé en plus pour fixer le réducteur **W35M**

Steel, to be set onto **SF250a**, **SF300a** end caps. Can also be used to support **W35M** gear

Stahl, für Montage in Blendenkappen **SF250a** und **SF300a**. Geeignet zur Befestigung von Getriebe **W35M**

Référence • Article • Artikel	Code • Code • Code
SBB12/100	1110701



Commande standardisée, pièces / Standard pack, pcs / Verpackungseinheit, Stk 20

S/IQ | SUPPORT DE TUBE | SUPPORT DE TUBE | MITTELSTÜTZLAGERPLATTE

En acier, pour les joues **SF/IQ**. A utiliser avec les tubes **RT40** ou **RT60**. Kit avec deux bagues fabriquées en polyamide – pour les tubes **RT40** et **RT60**.

Steel, for **SF/IQ** end caps. Used with **RT40** or **RT60** tubes. Kit with two rings fabricated of polyamide – for **RT40** and **RT60** tubes.

Stahl, für Blendenkappe **SF/IQ**. Dient zum Stützen der Welle **RT40** oder **RT60**. Im Lieferumfang sind zwei Polyamid-Ringe enthalten: für Achtkantwelle **RT40** und **RT60**.

Référence • Article • Artikel	Code • Code • Code
S/IQ	312036100



Commande standardisée, pièces / Standard pack, set / Verpackungseinheit, Set 5

SBB42 | SUPPORT DU PALIER | BALL BEARING SUPPORT | ANSCHRAUBLAGER

Fabriqué en acier, pour les paliers **BB42** et **BB42/P**
 Steel, for **BB42** and **BB42/P** bearings
 Stahl, für Kugellager **BB42** und **BB42/P**



Référence • Article • Artikel	Code • Code • Code
SBB42	1110900

Commande standardisée, pièces / Standard pack, pcs / Verpackungseinheit, Stk50

SBB42/100 | SUPPORT DU PALIER | BALL BEARING SUPPORT | LAGERPLATTE

Fabriqué en acier, pour les paliers **BB42** et **BB42/P**, installé dans les joues latérales **SF250a** et **SF300a**.
 Steel, for **BB42** and **BB42/P** bearings, to be set onto **SF250a**, **SF300a** end caps.
 Stahl, für Kugellager **BB42** und **BB42/P**, für Montage in Blendenkappen **SF250a** und **SF300a**.



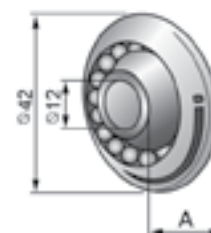
Référence • Article • Artikel	Code • Code • Code
SBB42/100	1110901

Commande standardisée, pièces / Standard pack, pcs / Verpackungseinheit, Stk20

BB42, BB42/P | PALIER | BALL BEARING | KUGELLAGER

Acier
 Steel
 Stahl

Référence • Article • Artikel	Description • Description • Beschreibung	A, mm	Code • Code • Code
BB42	à bague intérieur en acier with steel inner ring mit Stahl-Innenring	13	1110800
BB42/P	à bague intérieur en matière plastique with plastic inner ring mit Kunststoff-Innenring	17	1110801



Commande standardisée, pièces / Standard pack, pcs / Verpackungseinheit, Stk50

SBB32 | SUPPORT AVEC PALIER | BALL BEARING SUPPORT | ANSCHRAUBLAGER

Galvanisé, muni d'un bague de blocage. À utiliser avec les joues laterals **SF250a**, **SF300a**.

Galvanized, with a retaining ring. Used with **SF250a**, **SF300a** end caps.

Galvanisiert, komplett mit Anhaltering. Zur Verwendung mit Blendenkappen **SF250a**, **SF300a**.



Référence • Article • Artikel	Code • Code • Code
SBB32	1110710

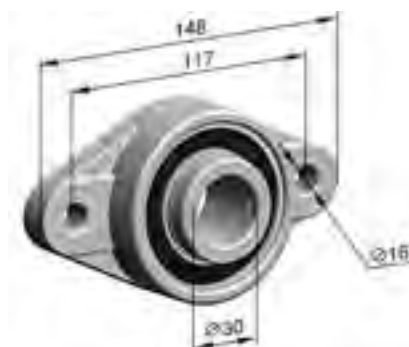
Commande standardisée, pièces / Standard pack, pcs / Verpackungseinheit, Stk 2

SBB30/108 | SUPPORT AVEC PALIER | BALL BEARING SUPPORT | ANSCHRAUBLAGER

À utiliser avec le tourillon **ZA30**, diamètre intérieur D = 30 mm

Used with pin **ZA30**, inner diameter D = 30 mm

Zur Verwendung mit Achsschenkel **ZA30**, Innendurchmesser D = 30 mm



Référence • Article • Artikel	Code • Code • Code
SBB30/108	1110905

Commande standardisée, pièces / Standard pack, pcs / Verpackungseinheit, Stk 1

ZA 30 | TOURILLON | PIN | ACHSSCHENKEL

Diamètre D = 30 mm, une mortaise pour une clavette rectangulaire

Diameter D = 30 mm

Durchmesser D = 30 mm

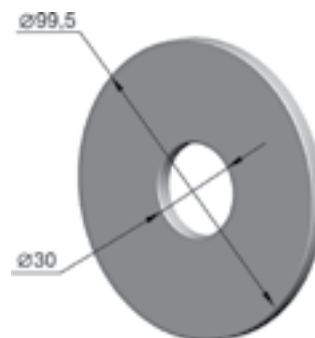


Référence • Article • Artikel	Code • Code • Code
ZA 30	1146580

Commande standardisée, pièces / Standard pack, pcs / Verpackungseinheit, Stk 1

SCH30/108 | RONDELLE | WASHER | SCHEIBE

Pour le tube **RT108x3,6**, diamètre intérieur D = 30 mm
 Used with roll tube **RT108x3,6**, inner diameter D = 30 mm
 Für Welle **RT108x3,6**, Innendurchmesser D = 30 mm

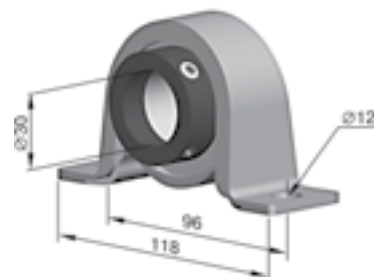


Référence • Article • Artikel	Code • Code • Code
SCH30/108	1110512

Commande standardisée, pièces / Standard pack, pcs / Verpackungseinheit, Stk..... 2

KUG 30 | PALIER | BALL BEARING | KUGELLAGER

À utiliser avec le tourillon **ZA30**, diamètre intérieur D = 30 mm
 Used with pin **ZA30**, inner diameter D = 30 mm
 Zur Verwendung mit Achsschenkel **ZA30**, Innendurchmesser D = 30 mm

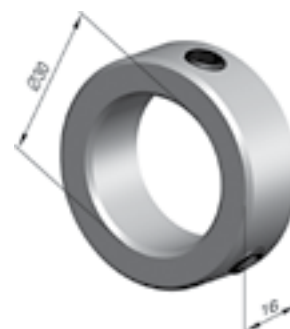


Référence • Article • Artikel	Code • Code • Code
KUG 30	1110510

Commande standardisée, pièces / Standard pack, pcs / Verpackungseinheit, Stk..... 1

RN 30 | BAGUE D'ARRÊT | RING | RING

Utilisé avec le tourillon **ZA30**, diamètre intérieur D = 30 mm
 Used with pin **ZA30**, inner diameter D = 30 mm
 Zur Verwendung mit Achsschenkel **ZA30**, Innendurchmesser D = 30 mm



Référence • Article • Artikel	Code • Code • Code
RN 30	1142510

Commande standardisée, pièces / Standard pack, pcs / Verpackungseinheit, Stk..... 1



ALUTECH
ROLLER SHUTTER SYSTEMS

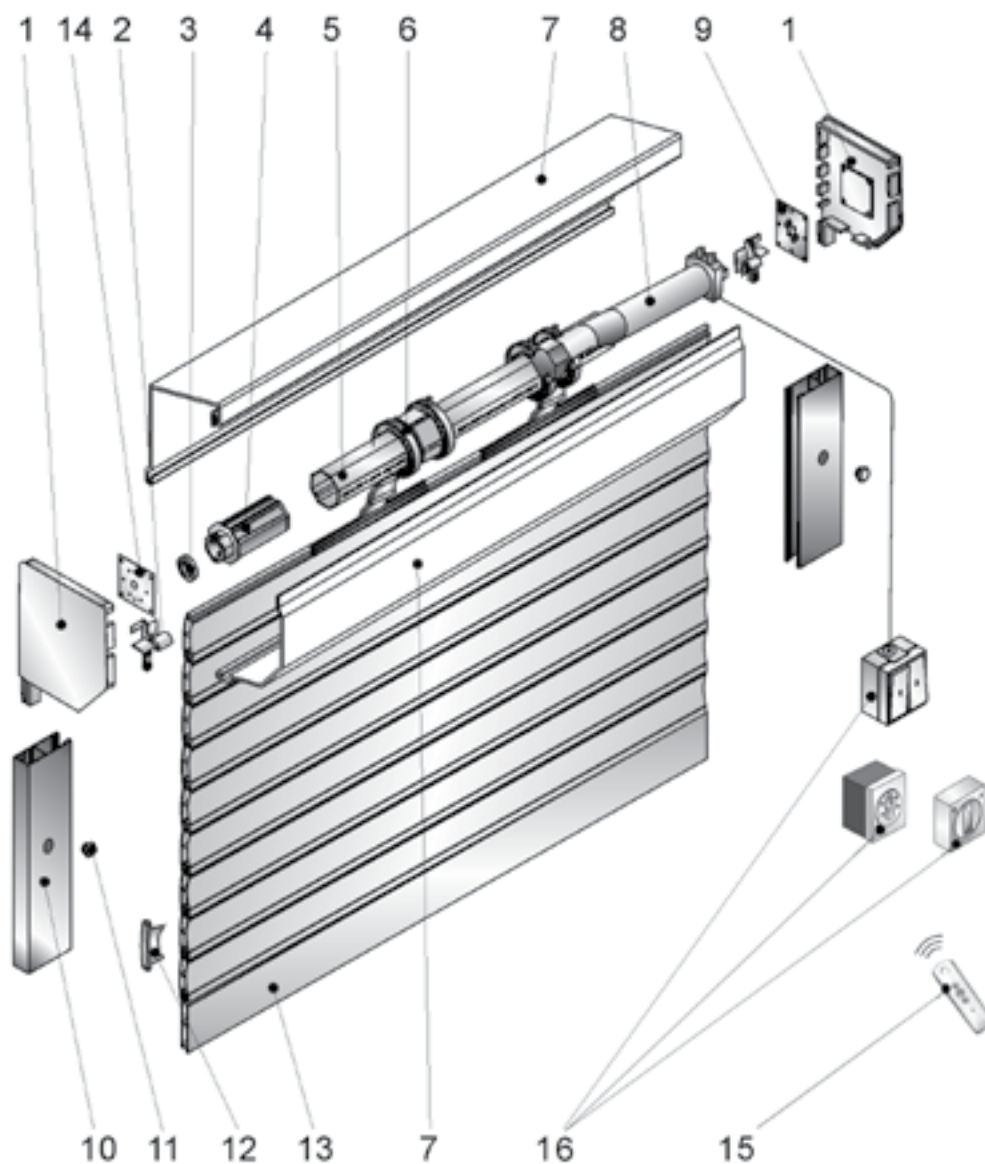
09

[Fr] MOTORISATION DES VOLETS
ROULANTS

[En] AUTOMATIC OPERATION
OF ROLLER SHUTTERS

[De] MOTORISIERTE BEDIENUNG

VOLET MOTORISÉ | MOTOR OPERATION | ROLLADEN MIT ELEKTROANTRIEB



1	Joue latérale End cap Blendenkappe	06 partie part Teil
2	Guide Entry guide Einlaufstutzen	05 partie part Teil
3	Palier Ball bearing Kugellager	07 partie part Teil
4	Embout universel Universal cap Universalkapsel	07 partie part Teil
5	Tube octogonal Octagonal roll tube Achtkantwelle	07 partie part Teil
6	Verrou de sécurité Security lock assembly Hochschiebesicherung	07 partie part Teil

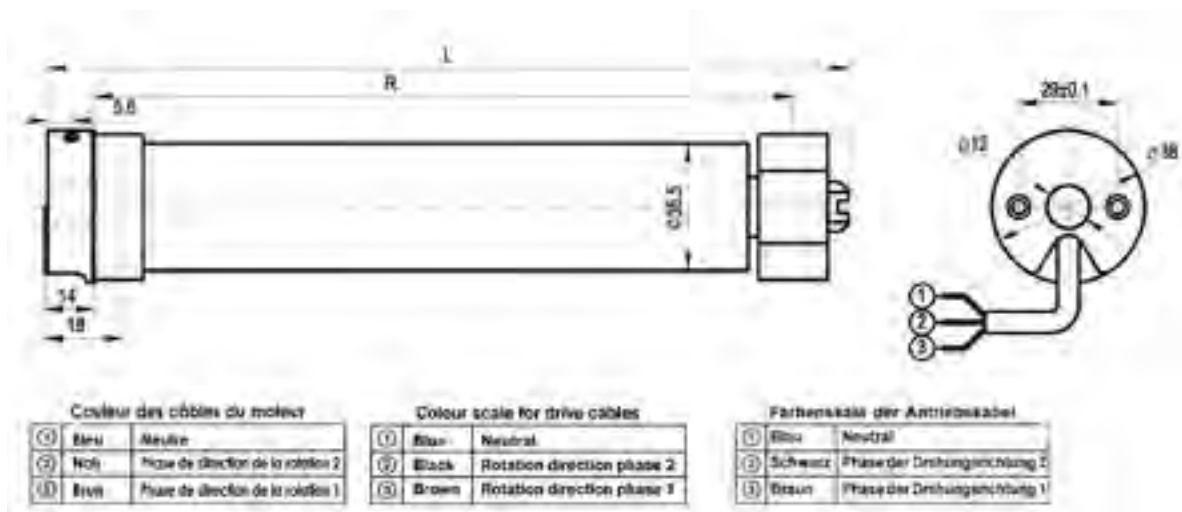
7	Caisson Shutter box Blendenkasten	06 partie part Teil
8	Moteur électrique Motor Elektroantrieb	08 partie part Teil
9	Fixation Motor bracket Befestigung	08 partie part Teil
10	Coulisse Guide rail Führungsschiene	05 partie part Teil
11	Obtuteur PVC plug button Abdeckkappe	10 partie part Teil
12	Bouchon latéral Side lock Arretierstück	01 partie part Teil

13	Lame finale End slat Schlussleiste	04 partie part Teil
14	Support du palier Ball bearing support Anschraublager	08 partie part Teil
15	Télécommande Remote Control T ransmitter Funkhandsender	08 partie part Teil
16	Interrupteur Switch Schalter	08 partie part Teil

Moteurs électriques SOMFY
SOMFY electric motors
SOMFY-Elektroantriebe

SOMFY LS 40 series | MOTEUR TUBULAIRE ÉLECTRIQUE | TUBULAR ELECTRIC MOTOR | ELEKTRISCHER EINSTECKANTRIEB

Protection IP44
IP44 protection degree
Schutzgrad IP44



Code Code Code	Référence Article Artikel	Vac	W	Couple, Nm Nominal torque, Nm Nominaler Drehmo- ment, Nm	Vitesse de rotation, min ⁻¹ Rotation speed, min ⁻¹ Umdrehun- gen/min.	A	Poids soulevé, kg Lifting capacity, kg		Duree de fonctionne- ment, min Operation time, min Betriebs- dauer, min	Vitesse maximale Max. rotation number Max. Um- drehungs- zahl	Dimensions, mm Dimensions, mm Abmessungen, mm		Poids, kg Weight, kg Gewicht, kg
							Zugkraft, kg				L	R	
							Tube 40 mm Roll tube 40 mm	Welle 40 mm Hauter du tablier, m Roller shutter height, m Panzerhöhe, m					
1143101	Aries 4/14	230/50Hz	65	4	14	0,35	12	10	4	40	454±1	420	1,00
1143102	Mars 9/14	230/50Hz	100	9	14	0,5	24	20	4	40	454±1	420	1,05
1143103	Vulcan 13/8	230/50Hz	95	13	8	0,5	36	31	4	40	466±1	433	1,15

SOMFY OXIMO 50 RTS series | MOTEUR TUBULAIRE ÉLECTRIQUE | TUBULAR ELECTRIC MOTOR | ELEKTRISCHER EINSTECKANTRIEB

Protection IP44
 IP44 protection degree
 Schutzgrad IP44



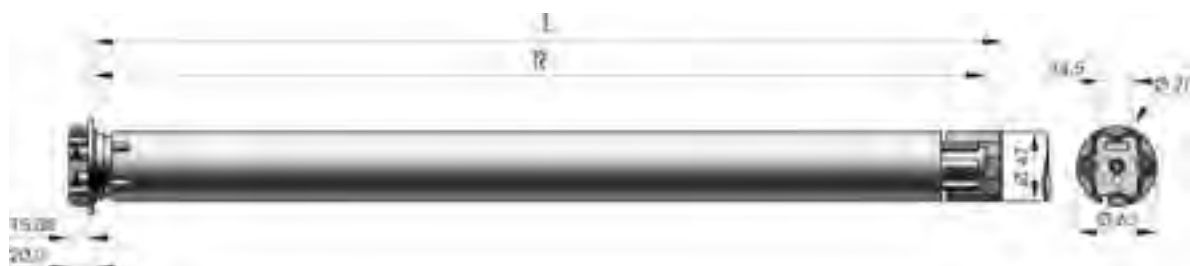
Code Code Code	Référence Article Artikel	Vac	W	Couple, Nm Nominal torque, Nm Nominaler Drehmo- ment, Nm	Vitesse de rotation, min ⁻¹ Rotation speed, min ⁻¹ Umdrehun- gen/min.	A	Poids soulevé, kg Lifting capacity, kg Zugkraft, kg		Duree de fonctionne- ment, min Operation time, min Betriebs- dauer, min	Vitesse maximale Max. rotation number Max. Um- drehungs- zahl	Dimensions, mm Dimensions, mm Abmessungen, mm		Poids, kg Weight, kg Gewicht, kg
							Tube 60 mm Roll tube 60 mm Welle 60 mm				L	R	
							Hauteur du tablier, m Roller shutter height, m Panzerhöhe, m						
							1,5	2,5					
1143661	Oximo 50RTS 6/17	230/50Hz	90	6	17	0,45	14	11	4	250	605	590	1,72
1143662	Oximo 50RTS 10/17	230/50Hz	120	10	17	0,5	24	19	4	250	655	640	1,85
1143663	Oximo 50RTS 15/17	230/50Hz	140	15	17	0,65	36	29	4	250	655	640	1,95
1143664	Oximo 50RTS 20/17	230/50Hz	160	20	17	0,75	48	38	4	250	655	640	2,15
1143665	Oximo 50RTS 30/17	230/50Hz	240	30	17	1,1	71	57	4	250	675	660	2,55
1143666	Oximo 50RTS 40/17	230/50Hz	270	40	17	1,2	95	76	4	250	745	730	2,80

SOMFY ILMO 50 WT series | MOTEUR TUBULAIRE ÉLECTRIQUE | TUBULAR ELECTRIC MOTOR | ELEKTRISCHER EINSTECKANTRIEB

Avec le système électronique des contacteurs de fin de course le voltage d'alimentation/la fréquence du réseau - 220/230B/50Hertz, pour l'axe octogonal **RT60x0,6**, **RT60x0,8** et **RT70x1,2**. Protection IP44

With electronic limit switches rated voltage / frequency - 220/230V/50Hz for **RT60x0,6**, **RT60x0,8** and **RT70x1,2** roll tube. IP44 protection degree

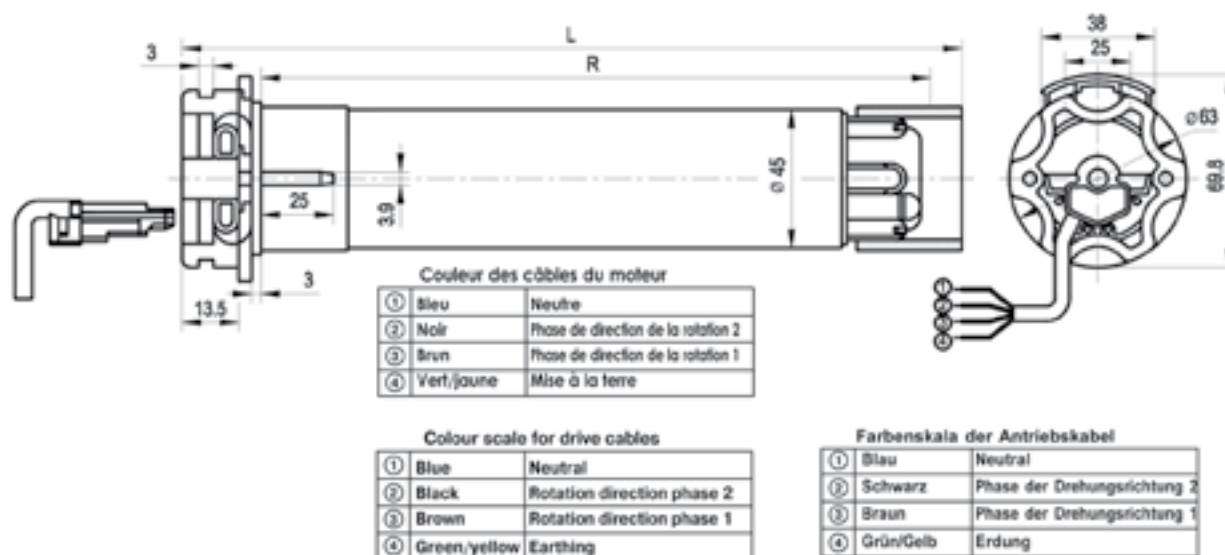
Mit elektronischen Endschaltern, Spannungsversorgung / Netzfrequenz - 220/230V/50Hz, für Achtkantwelle **RT60x0,6**, **RT60x0,8** und **RT70x1,2**; Schutzgrad IP44



Code Code Code	Référence Article Artikel	W	Couple, Nm Nominal torque, Nm Nominaler Drehmoment, Nm	Vitesse de rotation, min ⁻¹ Rotation speed, min ⁻¹ Umdrehungen/ min.	A	Poids souleve, kg Lifting capacity, kg Zugkraft, kg		Dimensions, mm Dimensions, mm Abmessungen, mm	
						Tube 60 mm Roll tube 60 mm Welle 60 mm			
						Hauteur du tablier, m Roller shutter height, m Panzerhöhe, m			
						1,5	2,5	L	R
1143671	Ilmo 50 WT 6/17	90	6	17	0,4	14	11	505	490
1143681	Ilmo 50 S WT 6/17	90	6	17	0,4	14	11	367	355
1143672	Ilmo 50 WT 10/17	120	10	17	0,5	24	19	505	490
1143673	Ilmo 50 WT 15/17	140	15	17	0,65	36	29	525	510
1143674	Ilmo 50 WT 20/17	160	20	17	0,75	48	38	655	640
1143675	Ilmo 50 WT 30/17	240	30	17	1,1	71	57	675	660
1143676	Ilmo 50 WT 35/17	240	35	17	1,1	81	65	675	660

SOMFY HiPro-LT 50 series | MOTEUR TUBULAIRE ÉLECTRIQUE | TUBULAR ELECTRIC MOTOR | ELEKTRISCHER EINSTECKANTRIEB

Protection IP44
 IP44 protection degree
 Schutzgrad IP44



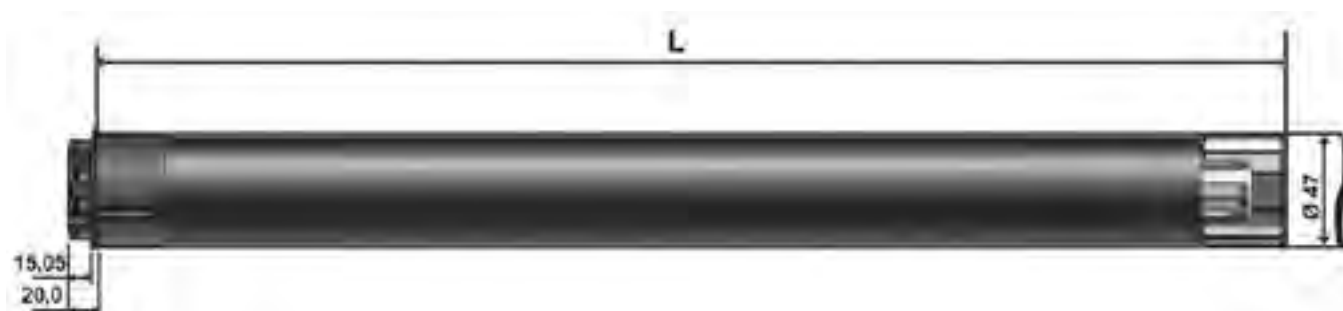
Code Code Code	Référence Article Artikel	Vac	W	Couple, Nm Nominal torque, Nm Nominaler Drehmoment, Nm	Vitesse de rotation, min ⁻¹ Rotation speed, min ⁻¹ Umdrehungen/min.	A	Poids soulevé, kg Lifting capacity, kg Zugkraft, kg				Duree de fonctionnement, min Operation time, min Betriebsdauer, min	Vitesse maximale Max. rotation number Max. Umdrehungszahl	Dimensions, mm Dimensions, mm Abmessungen, mm		Poids, kg Weight, kg Gewicht, kg
							Tube 60 mm Roll tube 60 mm Welle 60 mm		Tube 70 mm Roll tube 70 mm Welle 70 mm				L	R	
							Hauteur du tablier, m Roller shutter height, m Panzerhöhe, m								
							1,5	2,5	1,5	2,5					
1143201	Jet 8/17	230/50Hz	90	8	17	0,4	20	17	18	16	4	41	528	490±3	1,85
1143202	Ceres 10/17	230/50Hz	120	10	17	0,5	25	21	23	20	4	41	548	510±3	1,90
1143203	Atlas 15/17	230/50Hz	140	15	17	0,6	37	32	34	30	4	41	548	510±3	1,95
1143204	Meteor 20/17	230/50Hz	160	20	17	0,7	50	43	45	40	4	41	578	540±3	2,15
1143205	Gemini 25/17	230/50Hz	170	25	17	0,8	63	53	56	50	4	41	578	540±3	2,20
1143206	Appolo 30/17	230/50Hz	240	30	17	1,1	75	64	68	60	4	41	628	590±3	2,55
1143207	Helios 35/17	230/50Hz	240	35	17	1,1	88	74	79	70	4	41	628	590±3	2,55
1143208	Mariner 40/17	230/50Hz	270	40	17	1,2	100	85	90	80	4	41	678	640±3	2,80
1143209	Vectran 45/12	230/50Hz	240	45	12	1,1	112	96	101	90	4	41	628	590±3	2,55

SOMFY серия SOLUS 2 PA | SOMFY SOLUS 2 PA ELEKTRISCHE EINSTECKANTRIEBE | MOTEURS TUBULAIRES
SOMFY SOLUS 2 PA | SOMFY SOLUS 2 PA TUBULAR MOTORS
**NOUVEAUTÉ
NEW
NEUHEIT**

Moteur à 1 phase, protection IP44, avec le système mécanique de contacteurs de fin de course, pour l'axe octogonal 60 et 70 mm

One-phase motor, IP44 protection degree, with mechanic limit switches, for 60 and 70 mm roll tube

1-Phasen-Antriebe, Schutzgrad IP44, mit mechanischen Endschaltern, für Achskantwelle 60 und 70 mm.



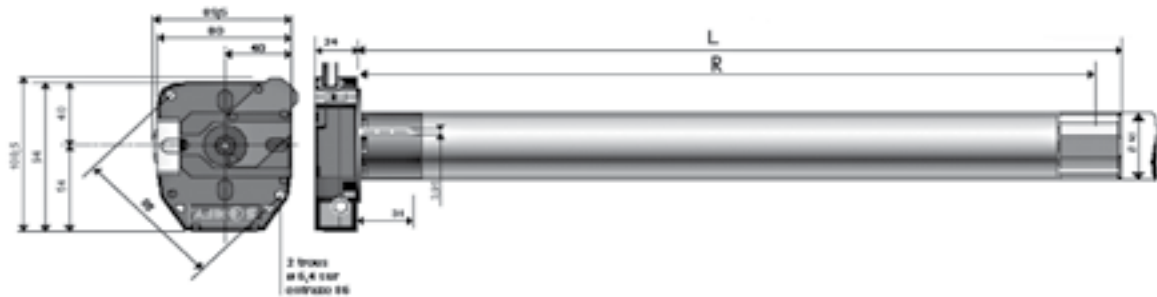
Code Code Code	Référence Article Artikel	Couple, Nm Nominal torque, Nm Nominaler Drehmoment, Nm	Vitesse de rotation, min ⁻¹ Rotation speed, min ⁻¹ Umdrehungen/ min.	W	Duree de fonc- tionnement, min Operation time, min Betriebsdauer, min	Dimensions, mm, L Dimensions, mm, L Abmessungen, mm, L	Protection Protection degree Schutzgrad
1143121	SOLUS 2 PA 6/12	6	12	90	4	505	IP44
1143122	SOLUS 2 PA 10/12	10	12	90	4	505	IP44
1143124	SOLUS 2 PA 20/12	20	12	140	4	525	IP44
322023000	SOLUS 2 PA 30/12	30	12	160	4	555	IP44
322024000	SOLUS 2 PA 40/12	40	12	240	4	605	IP44

SOMFY HiPro-LT 50 NHK RTS series | MOTEUR TUBULAIRE ÉLECTRIQUE | TUBULAR ELECTRIC MOTOR | ELEKTRISCHER EINSTECKANTRIEB

Pour tube octo 60 et 70 mm. Avec manœuvre de secours manuelle (protection IP44)

For 60 and 70 mm roll tube. With manual override (IP44 protection degree)

Für Achtkantwelle 60 und 70 mm. Mit Nothandkurbel (Schutzgrad IP44)



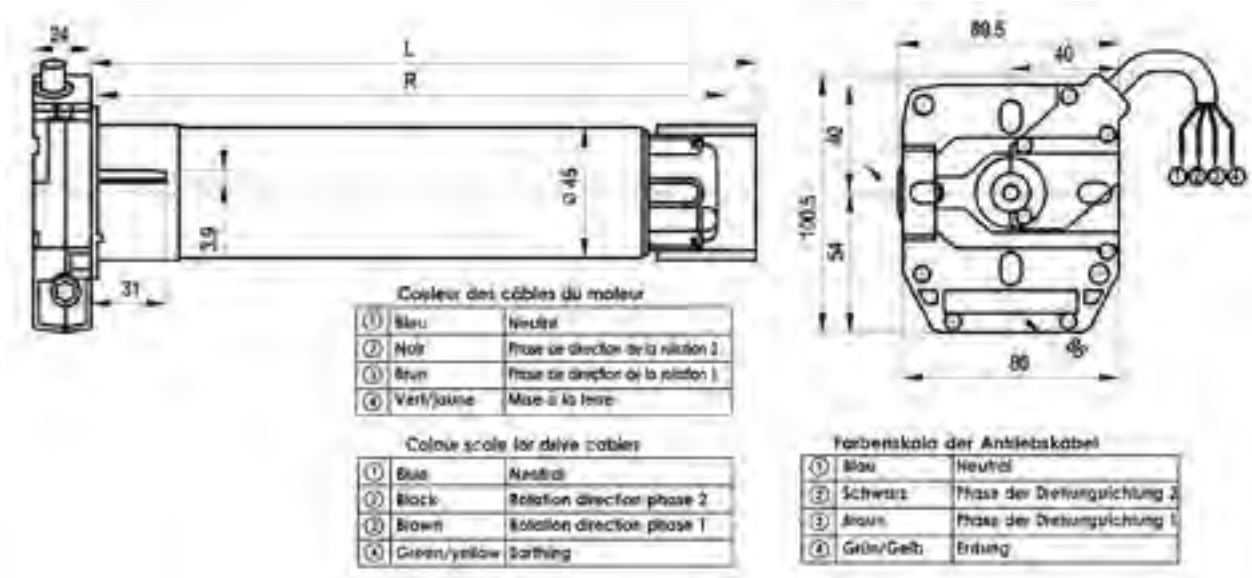
Code Code Code	Référence Article Artikel	Vac	W	Couple, Nm Nominal torque, Nm Nominaler Drehmo- ment, Nm	Vitesse de rotation, min ⁻¹ Rotation speed, min ⁻¹ Umdrehun- gen/min.	A	Poids souleve, kg Lifting capacity, kg Zugkraft, kg				Duree de fonctionne- ment, min Operation time, min Betriebs- dauer, min	Vitesse maximale Max. rotation number Max. Um- drehungs- zahl	Dimensions, mm Dimensions, mm Abmessungen, mm		Poids, kg Weight, kg Gewicht, kg
							Tube 60 mm Roll tube 60 mm Welle 60 mm		Tube 70 mm Roll tube 70 mm Welle 70 mm				L	R	
							Hauteur du tablier, m Roller shutter height, m Panzerhöhe, m								
							1,5	2,5	1,5	2,5					
							1143654	Meteor 20/17 NHK RTS	220-230/ 50Hz	160			20	17	
1143658	Mariner 40/12 NHK RTS	220-230/ 50Hz	270	40	12		100	85	90	80	4	34	744	759	3,68

SOMFY HiPro-LT 50 NHK series | MOTEUR TUBULAIRE ÉLECTRIQUE | TUBULAR ELECTRIC MOTOR | ELEKTRISCHER EINSTECKANTRIEB

Pour tube octo 60 et 70 mm. Avec manœuvre de secours manuelle (protection IP44)

For 60 and 70 mm roll tube. With manual override (IP44 protection degree)

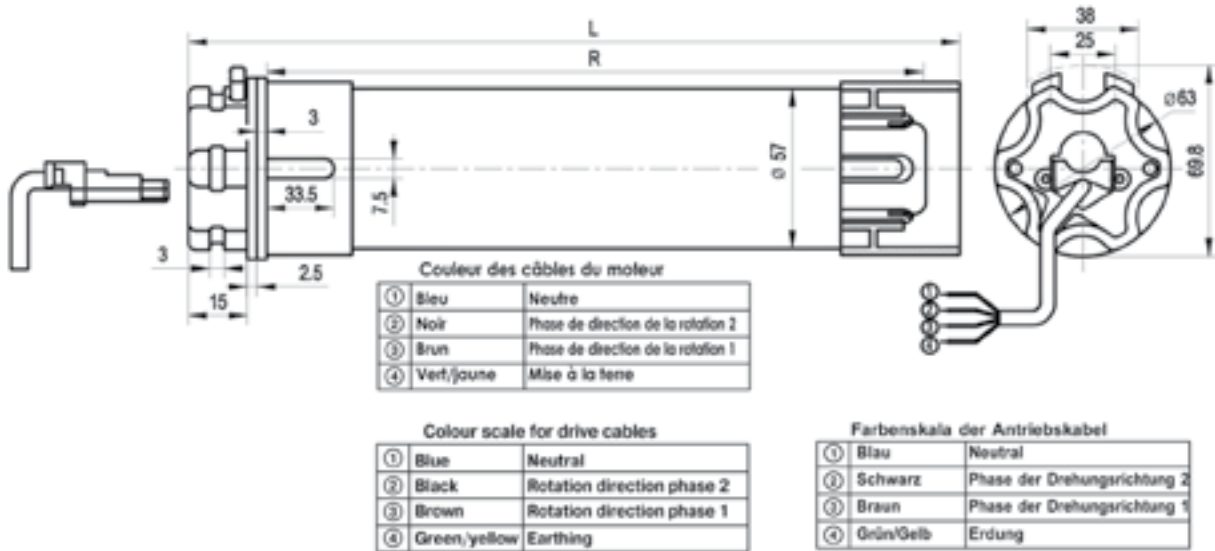
Für Achtkantwelle 60 und 70 mm. Mit Nothandkurbel (Schutzgrad IP44)



Code Code Code	Référence Article Artikel	Vac	W	Couple, Nm Nominal torque, Nm Nominaler Drehmo- ment, Nm	Vitesse de rotation, min ⁻¹ Rotation speed, min ⁻¹ Umdrehun- gen/min.	A	Poids soulevé, kg Lifting capacity, kg Zugkraft, kg				Duree de fonctionne- ment, min Operation time, min Betriebs- dauer, min	Vitesse maximale Max. rotation number Max. Um- drehungs- zahl	Dimensions, mm Dimensions, mm Abmes- sungen, mm		Poids, kg Weight, kg Gewicht, kg										
							Tube 60 mm Roll tube 60 mm Welle 60 mm		Tube 70 mm Roll tube 70 mm Welle 70 mm				Hauteur du tablier, m Roller shutter height, m Panzerhöhe, m	L		R									
							1,5	2,5	1,5	2,5															
							1143301	Jet 8/17 NHK	230/50Hz	90							8	17	0,4	20	17	18	16	4	22
							1143302	Meteor 20/17NHK	230/50Hz	160			20	17		0,7	50	43	45	40	4	22	594	579±3	2,76
1143303	Gemini 25/17NHK	230/50Hz	170	25	17	0,8	63	53	56	50	4	22	594	579±3	3,09										
1143304	Mariner 40/17NHK	230/50Hz	270	40	17	1,2	100	85	90	80	4	22	664	649±3	3,38										

SOMFY HiPro-LT 60 series | MOTEUR TUBULAIRE ÉLECTRIQUE | TUBULAR ELECTRIC MOTOR | ELEKTRISCHER EINSTECKANTRIEB

Protection IP44
IP44 protection degree
Schutzgrad IP44



Code Code Code	Référence Article Artikel	Vac	W	Couple, Nm Nominal torque, Nm Nominaler Drehmo- ment, Nm	Vitesse de rotation, min ⁻¹ Rotation speed, min ⁻¹ Umdrehun- gen/min.	A	Poids souleve, kg Lifting capacity, kg Zugkraft, kg					Duree de fonctionne- ment, min Operation time, min Betriebs- dauer, min	Vitesse maximale Max. rotation number Max. Um- drehungs- zahl	Dimensions, mm Dimensions, mm Abmes- sungen, mm		Poids, kg Weight, kg Gewicht, kg
							Tube 70 mm Roll tube 70 mm Welle 70 mm		Tube 102 mm Roll tube 102 mm Welle 102 mm					L	R	
							Hauteur du tablier, m Roller shutter height, m Panzerhöhe, m									
							1,5	2,5	1,5	2,5	3,5					
1143403	Vega 60/12	230/50Hz	280	60	12	1,25	135	117	105	97	95	4	35	637	597±3	3,92
1143404	Sirius 80/12	230/50Hz	320	80	12	1,5	180	157	140	130	126	4	35	637	597±3	4,19
1143406	Titan 100/12	230/50Hz	350	100	12	1,9	213	185	175	163	158	4	35	682	642±3	4,68
1143407	Taurus 120/12	230/50Hz	450	120	12	2,1	270	234	210	195	189	4	35	682	642±3	4,45

SOMFY HiPro-LT 60 NHK series | MOTEUR TUBULAIRE ÉLECTRIQUE | TUBULAR ELECTRIC MOTOR | ELEKTRISCHER EINSTECKANTRIEB

Avec manœuvre de secours manuelle (protection IP44)
with manual override (IP44 protection degree)
mit Nothandkurbel (Schutzgrad IP44)



Code Code Code	Référence Article Artikel	Vac	W	Couple, Nm Nominal torque, Nm Nominaler Drehmoment, Nm	Vitesse de rotation, min ⁻¹ Rotation speed, min ⁻¹ Umdrehun- gen/min.	A	Poids soulevé, kg Lifting capacity, kg Zugkraft, kg					Duree de fonctionne- ment, min Operation time, min Betriebs- dauer, min	Vitesse maximale Max. rotation number Max. Um- drehungs- zahl	Dimensions, mm Dimensions, mm Abmes- sungen, mm		Poids, kg Weight, kg Gewicht, kg
							Tube 70 mm Roll tube 70 mm Welle 70 mm		Tube 102 mm Roll tube 102 mm Welle 102 mm					L	R	
							Hauteur du tablier, m Roller shutter height, m Panzerhöhe, m									
							1,5	2,5	1,5	2,5	3,5					
1143501	Vega 60/12 NHK	230/50Hz	280	60	12	1,25	135	117	105	97	95	4	36	646	630±3	5,5
1143502	Sirius 80/12 NHK	230/50Hz	320	80	12	1,5	180	157	140	130	126	4	36	646	630±4	5,6
1143503	Titan 100/12 NHK	230/50Hz	410	100	12	1,9	213	185	175	163	158	4	36	681	665±5	6,1
1143504	Taurus 120/12 NHK	230/50Hz	450	120	12	2,1	270	234	210	195	189	4	36	681	665±6	6,2

SIMU T8 (M) series | MOTEUR TUBULAIRE ÉLECTRIQUE | TUBULAR ELECTRIC MOTOR | ELEKTRISCHER EINSTECKANTRIEB

Protection IP44
 IP44 protection degree
 Schutzgrad IP44

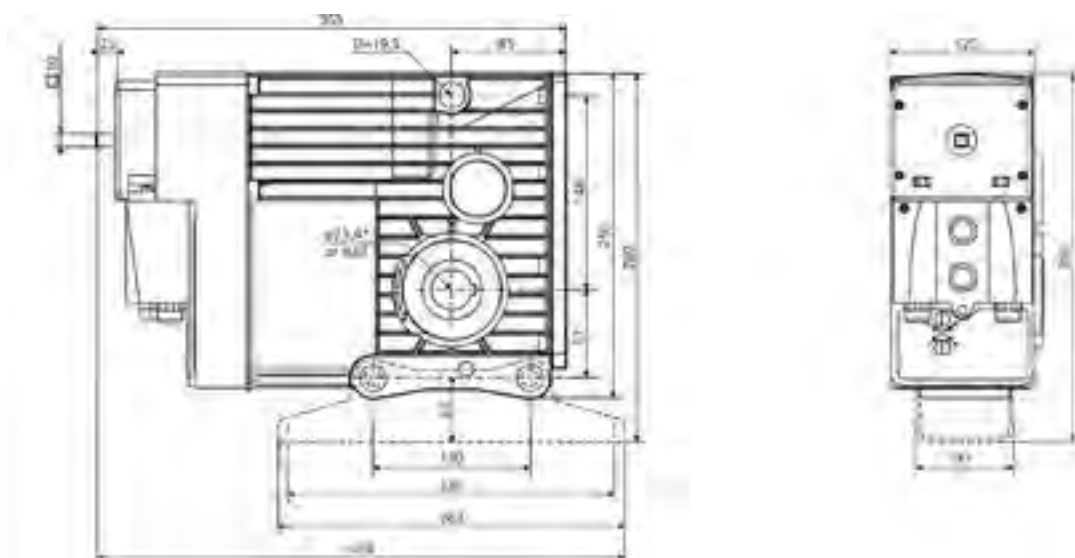


Référence Article Artikel	A	B	D	E	F	G
Simu T825M	62	82	609	12	67	8

Code Code Code	Référence Article Artikel	Vac	W	Couple, Nm Nominal torque, Nm Nominaler Drehmoment, Nm	Vitesse de rotation, min ⁻¹ Rotation speed, min ⁻¹ Umdrehungen/min.	Vitesse maximale Max. rotation number Max. Umdrehungszahl	Poids, kg Weight, kg Gewicht, kg
1143625	Simu T820M	230/50Hz	601	200	8	13	17,0
1143626	Simu T825M	230/50Hz	710	250	8	13	14,0

SOMFY COMPACT series | MOTEURS ÉLECTRIQUES EXTÉRIEURS | OVERTUBE ELECTRIC MOTOR | AUFSTECKANTRIEBE

Avec manœuvre de secours manuelle (protection IP44)
 with manual override (IP44 protection degree)
 mit Nothandkurbel (Schutzgrad IP44)

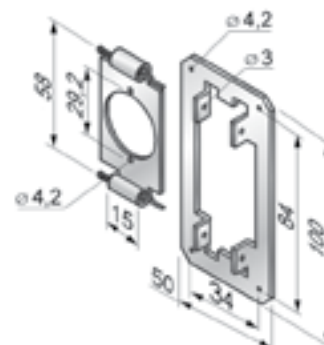


Code Code Code	Référence Article Artikel	Vac	W	Couple, Nm Nominal torque, Nm Nominaler Dre- hmoment, Nm	Vitesse de rotation, min ⁻¹ Rotation speed, min ⁻¹ Umdrehun- gen/min.	A	Duree de fonctionne-ment, min Operation time, min Betriebsdauer, min	Vitesse maximale Max. rotation number Max. Um- drehungszahl	Poids, kg Weight, kg Gewicht, kg
1143630	Compact 200/12W à 1 phase one-phase 1-phasig	230/50 Hz	940	200	12	4,5	4	17-25	16,3
1143631	Compact 300/12 à 3 phases three-phase 3-phasig	230/400/50 Hz	1000	300	12	1,7	ED 40%	17-25	18,7
1143632	Compact 400/8 à 3 phases three-phase 3-phasig	230/400/50 Hz	1000	400	8	1,7	ED 40%	17-25	16,5

Accessoires pour moteurs électriques SOMFY Accessories for SOMFY electric motors Zubehör für SOMFY-Elektroantriebe

KMF/40 | SUPPORT | MOTOR BRACKET | LAGERPLATTE

Support en acier à deux goupilles pour les moteurs **LS 40**
Steel, universal, completed with two pins, for **LS 40** series electric motors
Stahl, Universal-Lagerplatte mit zwei Splinten für Elektroantriebe der Serien **LS 40**

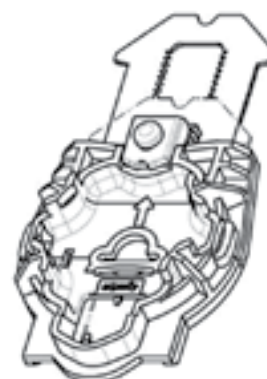


Référence • Article • Artikel	Code • Code • Code
KMF/40	1143700

Commande standardisée, pièces / Standard pack, set / Verpackungseinheit, Set.....1,0

KMF/165, KMF/205 | FIXATEUR | MOTOR BRACKET | LAGERPLATTE

Fixateur pour une pose rapide des moteurs **LT 50, Oximo 50RTS, ILMO 50 WT**
jusqu'à 30Nm sans percer la joue latérale
Clamp for quick motor installation **LT 50, Oximo 50RTS, ILMO 50 WT** up to 30Nm
with no need to drill the end cap
Befestigung zur schnellen Montage der Antriebe **LT 50, Oximo 50RTS, ILMO 50 WT**
bis 30 Nm, Bohrung der Blendenkappe nicht erforderlich

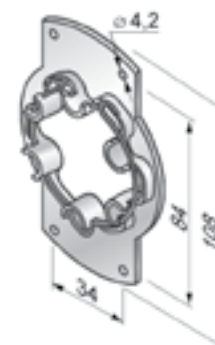


Référence • Article • Artikel	Code • Code • Code
KMF/165	321017100
KMF/205	321018100

Commande standardisée, pièces / Standard pack, set / Verpackungseinheit, Set.....1,0

KMF/50 | SUPPORT | MOTOR BRACKET | LAGERPLATTE

Support universel en acier à ressort de fixation pour les moteurs **SOLUS 2PA, LT 50, ILMO 50WT, OXIMO 50RTS** jusqu'à 30 Nm
Steel, universal, with spring ring, for **SOLUS 2PA, LT 50, ILMO 50WT, OXIMO 50RTS** series (up to 30 Nm) electric motors
Stahl, mit Befestigungsfederring, für Elektroantriebe der Serien **SOLUS 2PA, LT 50, ILMO 50WT, OXIMO 50RTS** bis zu 30 Nm

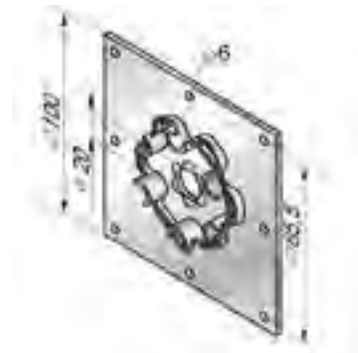


Référence • Article • Artikel	Code • Code • Code
KMF/50	1143800

Commande standardisée, pièces / Standard pack, set / Verpackungseinheit, Set.....1,0

KMF/60 | SUPPORT | MOTOR BRACKET | LAGERPLATTE

Support universel en acier à ressort de fixation pour les moteurs **LT 50, ILMO 50WT, OXIMO 50RTS** de plus de 30 Nm, ainsi que pour les moteurs **LT 60**
 Steel, universal, with spring ring, for **LT 50, ILMO 50WT, OXIMO 50RTS** series (up to 30 Nm) electric motors and **LT 60** series motors
 Stahl, mit Federring und Öse, für Elektroantriebe der Serie **LT 50, ILMO 50WT, OXIMO 50RTS** bis zu 30 Nm, sowie für Elektroantriebe der Serien **LT 60**



Référence • Article • Artikel	Code • Code • Code
KMF/60	1143900

Commande standardisée, pièces / Standard pack, set / Verpackungseinheit, Set.....1,0

KMF/T8M | SUPPORT | MOTOR BRACKET | LAGERPLATTE

Support en acier pour les moteurs **SIMU T8M**
 Steel, for **SIMU T8M** series electric motors.
 Stahl, für Elektroantriebe der Serie **SIMU T8M**

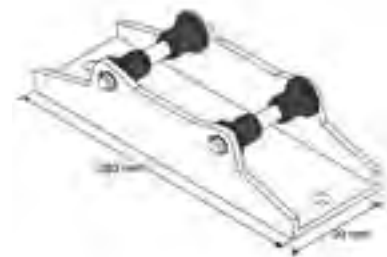


Référence • Article • Artikel	Code • Code • Code
KMF/T8M	1144010

Commande standardisée, pièces / Standard pack, set / Verpackungseinheit, Set.....1,0

SOC | SUPPORT | BASE | SOCKEL

En acier, à utiliser pour installer le moteur électrique **Somfy Compact** sur la console **KN SC**
 Steel, to install Somfy Compact electric motor **Somfy Compact** on **KN SC** console
 Stahl, zur Montage des Elektroantriebs **Somfy Compact** auf Konsole **KN SC**



Référence • Article • Artikel	Code • Code • Code
SOC	1031661

Commande standardisée, pièces / Standard pack, pcs / Verpackungseinheit, Stk..... 1

SP/SC | FIXATEUR DU MOTEUR À PLAQUE | MOTOR BRACKET WITH FLAT | BEFESTIGUNG MIT PLATTE

En acier, fixe le moteur **Somfy Compact** installé sur une console 400x400
 Steel, prevent rotation of Somfy Compact motor **Somfy Compact** while mounting on the console 400x400
 Stahl, verhindert die Drehung des Elektroantriebs **Somfy Compact** bei der Montage auf Konsole 400x400



Référence • Article • Artikel	Code • Code • Code
SP/SC	322004000

Commande standardisée, pièces / Standard pack, pcs / Verpackungseinheit, Stk 1

ADF/40 | ADAPTATEUR | ADAPTER | ADAPTER

Pour tube octo de 40 mm, muni d'un anneau de fin de course, pour moteurs **LS 40**
 For 40 mm octagonal roll tube, completed with end-position locking ring, for **LS 40** series electric motors
 Für Achtkantwelle 40 mm, Set mit Mitnehmer für Elektroantriebe der Serien **LS 40**

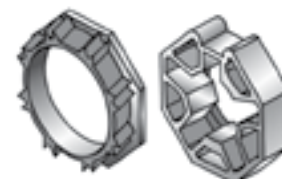


Référence • Article • Artikel	Code • Code • Code
ADF/40	1144100

Commande standardisée, pièces / Standard pack, set / Verpackungseinheit, Set 1,0

ADF/50 | ADAPTATEUR | ADAPTER | ADAPTER

Pour tube octo de 60 mm, muni d'un anneau de fin de course, pour moteurs **SOLUS 2PA, LT 50, LT 50NHK, ILMO 50WT, OXIMO 50RTS**
 For 60 mm octagonal roll tube, completed with end-position locking ring, for **SOLUS 2PA, LT 50, LT 50NHK, ILMO 50WT, OXIMO 50RTS** series electric motors
 Für Achtkantwelle 60 mm, Set mit Mitnehmer für Elektroantriebe der Serien **SOLUS 2PA, LT 50, LT 50NHK, ILMO 50WT, OXIMO 50RTS**



Référence • Article • Artikel	Code • Code • Code
ADF/50	1144200

Commande standardisée, pièces / Standard pack, set / Verpackungseinheit, Set 1,0

ADF/60 | ADAPTATEUR | ADAPTER | ADAPTER

Pour tube octo de 70 mm, muni d'un anneau de fin de course, pour moteurs **SOLUS 2PA, LT 50, LT 50NHK, LT 60, LT 60NHK, ILMO 50WT, OXIMO 50RTS**

For 70 mm octagonal roll tube, completed with end-position locking ring, for **SOLUS 2PA, LT 50, LT 50NHK, LT 60, LT 60NHK, ILMO 50WT, OXIMO 50RTS** series electric motors

Für Achtkantwelle 70 mm, Set mit Mitnehmer für Elektroantriebe der Serien **SOLUS 2PA, LT 50, LT 50NHK, LT 60, LT 60NHK, ILMO 50WT, OXIMO 50RTS**



Référence • Article • Artikel	Code • Code • Code
ADF/60	1144300

Commande standardisée, pièces / Standard pack, set / Verpackungseinheit, Set.....1,0

RF/70 | BAGUE DE RACCORD | ADAPTER RING | ÜBERGANGSADAPTER

Pour moteurs **SOLUS 2PA, LT 50, LT 50NHK, ILMO 50WT, OXIMO 50RTS** pour tubes octos de 70 mm

for **SOLUS 2PA, LT 50, LT 50NHK, ILMO 50WT, OXIMO 50RTS** series electric motors, for 70 mm octagonal roll tube

für Elektroantriebe der Serien **SOLUS 2PA, LT 50, LT 50NHK, ILMO 50WT, OXIMO 50RTS**, für Achtkantwelle 70 mm



Référence • Article • Artikel	Code • Code • Code
RF/70	1144400

Commande standardisée, pièces / Standard pack, set / Verpackungseinheit, Set.....1,0

ADF/102 | ADAPTATEUR | ADAPTER | ADAPTER

Pour tube octo **RT102x2,5**, muni d'un anneau de fin de course, pour moteurs **LT 60, LT 60 NHK**

For 102 mm octagonal roll tube. Completed with end-position locking ring, for **LT 60** and **LT 60 NHK** electric motors

Für Achtkantwelle **RT102x2,5**, Set mit Mitnehmer, für Elektroantriebe der Serien **LT 60** und **LT 60 NHK**



Référence • Article • Artikel	Code • Code • Code
ADF/102	1144800

Commande standardisée, pièces / Standard pack, set / Verpackungseinheit, Set.....1,0

ADS/108 | ADAPTATEUR | ADAPTER | ADAPTER

Pour tube 108x3,6 mm, pour moteurs **SIMU T8M**
for 180x3,6 mm roll tube, for **SIMU T8M** series electric motors
Für Welle 108x3,6 mm, für Elektroantriebe der Serie **SIMU T8M**



Référence • Article • Artikel	Code • Code • Code
ADS/108	1142806

Commande standardisée, pièces / Standard pack, set / Verpackungseinheit, Set 1,0

Cab Oximo RTS | CÂBLE D'ALIMENTATION | POWER CABLE | VERSORGUNGSKABEL



Référence • Article • Artikel	Code • Code • Code
Cab Oximo RTS	1141561

Commande standardisée, pièces / Standard pack, pcs / Verpackungseinheit, Stk 1

Cab LT50/LT60 | CÂBLE D'ALIMENTATION | POWER CABLE | VERSORGUNGSKABEL



Référence • Article • Artikel	Code • Code • Code
Cab LT50/LT60	1141551

Commande standardisée, pièces / Standard pack, pcs / Verpackungseinheit, Stk 1

Cab LT50/LT60 NHK | CÂBLE D'ALIMENTATION | POWER CABLE | VERSORGUNGSKABEL



Référence • Article • Artikel	Code • Code • Code
Cab LT50/LT60 NHK	1141552

Commande standardisée, pièces / Standard pack, pcs / Verpackungseinheit, Stk..... 1

KET SC | CHAÎNE POUR MONTÉE URGENTE DU TABLIER | MANUAL OVERRIDE CHAIN | NOT-HANDKETTE

En acier, sert à faire monter le tablier, compatible avec les moteurs électriques **Somfy Compact**
Steel, for manual override, used with **Somfy Compact** motors
Stahl, Verwendbarkeit mit Elektroantrieben **Somfy Compact**

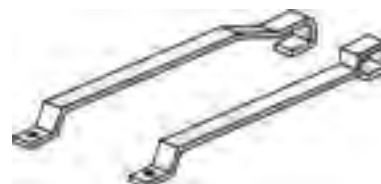


Référence • Article • Artikel	Code • Code • Code
KET SC	1146581

Commande standardisée, pièces / Standard pack, pcs / Verpackungseinheit, Stk..... 1

ESH | RÉGULATEUR | END SWITCH REGULATOR | EINSTELLHILFE

Pour régler les fins de course des moteurs électriques **LT 50 NHK** et **LT 60 NHK**
Used to adjust end switches, for **LT 50 NHK** and **LT 60 NHK** motors
Zur Einstellung der Endlagen von Elektroantrieben der Serien **LT 50 NHK** und **LT 60 NHK**



Référence • Article • Artikel	Code • Code • Code
ESH	1144700

Commande standardisée, pièces / Standard pack, set / Verpackungseinheit, Set..... 1,0

Moteurs électriques AN-MOTORS

AN-MOTORS electric motors

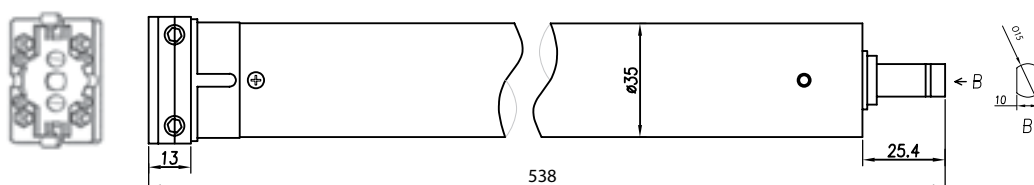
AN-MOTORS-Elektroantriebe

AN-MOTORS NR0 series | MOTEUR TUBULAIRE ÉLECTRIQUE | TUBULAR ELECTRIC MOTOR | ELEKTRISCHER EINSTECKANTRIEB

avec le système mécanique des contacteur de fin de cours, le voltage d'alimentation/la fréquence du réseau - 220/230B/50Hertz, pour l'axe octogonal **RT40×0,5** et **RT40×0,6**

with mechanic limit switches rated voltage / frequency - 220/230V/50Hz for **RT40×0,5** and **RT40×0,6** roll tube

Mit mechanischen Endschaltern, Spannungsversorgung / Netzfrequenz - 220/230V/50Hz, für Achtkantwellen **RT40×0,5** und **RT40×0,6**



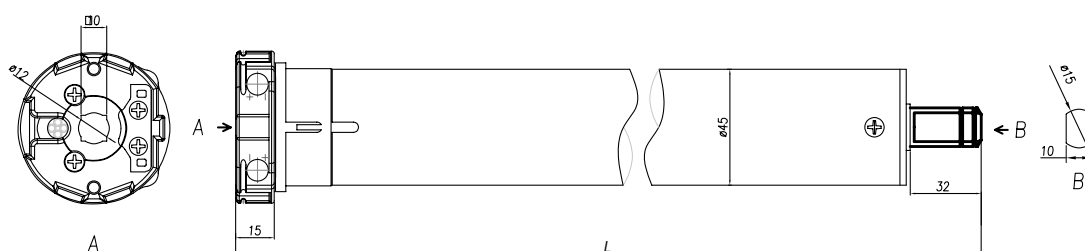
Code Code Code	Référence Article Artikel	Couple, Nm Nominal torque, Nm Nominaler Drehmoment, Nm	Vitesse de rotation, min ⁻¹ Rotation speed, min ⁻¹ Umdrehungen/ min.	W	A	Duree de fonc- tionnement, min Operation time, min Betriebsdauer, min	Vitesse maximale Max. rotation number Max. Drehzahl	Dimensions, mm Dimensions, mm Abmes- sungen, mm	Protection Protection degree Schutzgrad
323034100	NR0/06-28	6	28	150	0,65	4	40	538	IP44
323015100	NR0/10-16	10	16	150	0,65	4	40	538	IP44

AN-MOTORS NK1 series | MOTEUR TUBULAIRE ÉLECTRIQUE | TUBULAR ELECTRIC MOTOR | ELEKTRISCHER EINSTECKANTRIEB

avec le système mécanique des contacteur de fin de course, le voltage d'alimentation/la fréquence du réseau - 220/230B/50Hertz, pour l'axe octogonal **RT60×0,6**, **RT60×0,8** et **RT70×1,2**

with mechanic limit switches rated voltage / frequency - 220/230V/50Hz for **RT60×0,6**, **RT60×0,8** and **RT70×1,2** roll tube

Mit mechanischen Endschaltern, Spannungsversorgung / Netzfrequenz - 220/230V/50Hz, für Achtkantwellen **RT60×0,6**, **RT60×0,8** und **RT70×1,2**



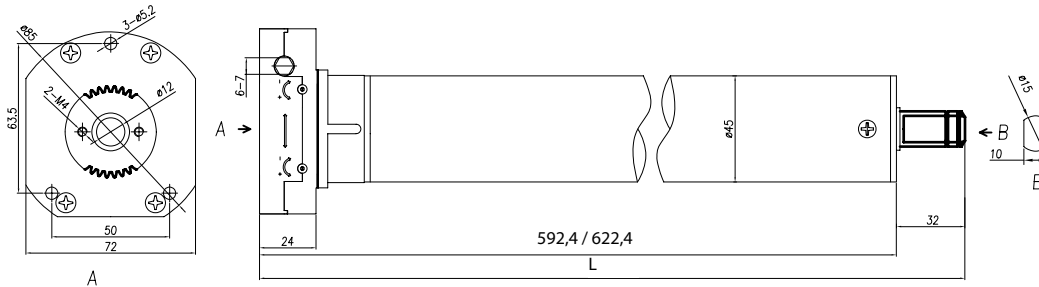
Code Code Code	Référence Article Artikel	Couple, Nm Nominal torque, Nm Nominaler Drehmoment, Nm	Vitesse de rota- tion, min ⁻¹ Rotation speed, min ⁻¹ Umdrehungen/min.	W	A	Duree de fonc- tionnement, min Operation time, min Betriebsdauer, min	Vitesse maximale Max. rotation number Max. Drehzahl	Dimensions, mm, L Dimensions, mm, L Abmessungen, mm, L	Protection Protection degree Schutzgrad
323016100	NK1/10-16	10	16	120	0,55	4	30	535	IP44
323017100	NK1/15-16	15	16	150	0,70	4	30	570	IP44
323018100	NK1/20-16	20	16	170	0,80	4	30	570	IP44
323019100	NK1/30-16	30	16	240	1,10	4	30	600	IP44
323020100	NK1/40-12	40	12	240	1,10	4	30	600	IP44
323021100	NK1/50-12	50	12	270	1,20	4	30	600	IP44

AN-MOTORS NM1-PP series | MOTEUR TUBULAIRE ÉLECTRIQUE | TUBULAR ELECTRIC MOTOR | ELEKTRISCHER EINSTECKANTRIEB

avec manoeuvre de secours manuelle /avec oeillet PP250/, le voltage d'alimentation/la fréquence du réseau - 220/230B/50Hertz, pour l'axe octogonal **RT60x0,6**, **RT60x0,8** et **RT70x1,2**

with manual override rated voltage /with PP250 eye/ frequency - 220/230V/50Hz for octagonal roll tubes **RT60x0,6**, **RT60x0,8** and **RT70x1,2**

Mit Nothandkurbel, Spannungsversorgung / mit Öse PP250/ Netzfrequenz - 220/230V/50Hz, für Achtkantwellen **RT60x0,6**, **RT60x0,8** und **RT70x1,2**



Code Code Code	Référence Article Artikel	Couple, Nm Nominal torque, Nm Nominaler Drehmoment, Nm	Vitesse de rotation, min ⁻¹ Rotation speed, min ⁻¹ Umdrehungen/ min.	W	A	Duree de fonctionnement, min Operation time, min Betriebsdauer, min	Vitesse maximale Max. rotation number Max. Drehzahl	Dimensions, mm, L Dimensions, mm, L Abmessungen, mm, L	Protection Protection degree Schutzgrad
323029100	NM1-PP/20-16	20	16	170	0,80	4	30	624,4	IP44
323030100	NM1-PP/30-16	30	16	240	1,10	4	30	654,4	IP44
323031100	NM1-PP/40-12	40	12	240	1,10	4	30	654,4	IP44
323032100	NM1-PP/50-12	50	12	270	1,20	4	30	654,4	IP44
323023100	NM1-PP/50-70*	50	12	270	1,2	4	30	654,4	IP44

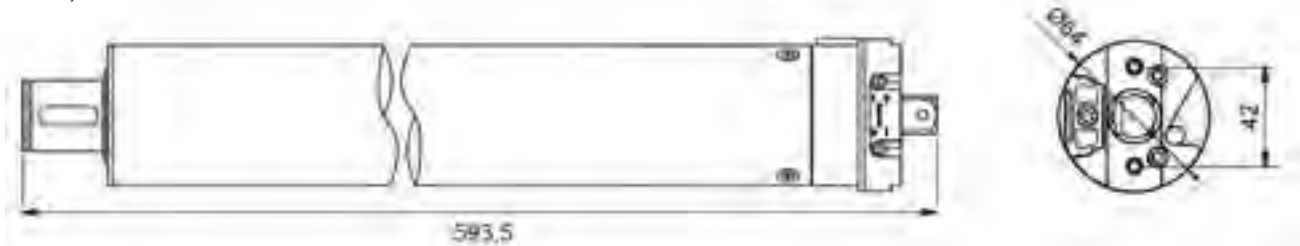
* avec adaptateur pour le tube octo RT70x1,2 / * with adapter for octagonal roll tube RT70x1,2 / * mit Adapter für Achtkantwelle RT70x1,2

AN-MOTORS NR2 series | MOTEUR TUBULAIRE ÉLECTRIQUE | TUBULAR ELECTRIC MOTOR | ELEKTRISCHER EINSTECKANTRIEB

possède un système mécanique des interrupteurs finals, le voltage d'alimentation / la fréquence du réseau — 220/230V/50Hz, pour les tubes **RT70x1.2**, **RT102x2.5** (avec la fixation; NR2/60-12, NR2/80-12 — avec un adaptateur pour le tube RT70x1.2; NR2/100-12, NR2/140-8 — avec l'adaptateur pour le tube RT102x2.5)

with mechanic end switches system, rated voltage / frequency — 220/230V/50Hz, for octagonal tubes **RT70x1.2**, **RT102x2.5** (NR2/60-12, NR2/80-12 — with the bracket RT70x1.2; NR2/100-12, NR2/140-8 — with adapter for octagonal tube RT102x2.5)

mit mechanischen Endschaltern, Spannungsversorgung / Netzfrequenz — 220/230V/50Hz, für Achtkantwellen **RT70x1.2**, **RT102x2.5** (mit Befestigung; NR2/60-12, NR2/80-12 — mit Adapter für Achtkantwelle RT70x1.2; NR2/100-12, NR2/140-8 — mit Adapter für Achtkantwelle RT102x2.5)



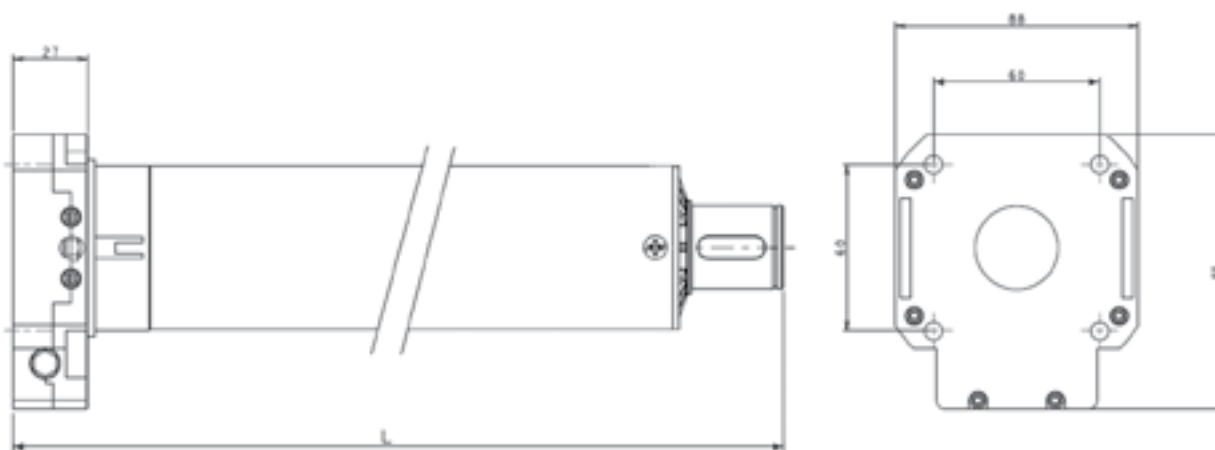
Code Code Code	Référence Article Artikel	Couple, Nm Nominal torque, Nm Nominaler Drehmoment, Nm	Vitesse de rotation, min ⁻¹ Rotation speed, min ⁻¹ Umdrehungen/ min.	W	A	Duree de fonc- tionnement, min Operation time, min Betriebsdauer, min	Vitesse maximale Max. rotation number Max. Drehzahl	Dimensions, mm, L Dimensions, mm, L Abmessungen, mm, L	Protection Protection degree Schutzgrad
323024100	NR2/60-12	60	12	330	1.3	4	23	593,5	IP44
323025100	NR2/80-12	80	12	360	1.5	4	23	593,5	IP44
323026100	NR2/100-12	100	12	430	2	4	23	593,5	IP44
323027100	NR2/140-8	140	8	450	2	4	23	593,5	IP44

AN-MOTORS NM2-PP series | MOTEUR TUBULAIRE ÉLECTRIQUE | TUBULAR ELECTRIC MOTOR | ELEKTRISCHER EINSTECKANTRIEB

avec manoeuvre de secours manuelle, le voltage d'alimentation /avec oeillet PP250/ la fréquence du réseau — 220/230V/50Hz, pour les tubes **RT70x1.2**, **RT102x2.5** (avec une fixation et un oeillet; NM2-PP/60-12, NM2-PP/80-12 — avec un adaptateur pour le tube RT70x1.2; NM2-PP/100-12, NM2/140-8 — avec l'adaptateur pour le tube RT102x2.5)

with mechanic end switches system, rated voltage /with PP250 eye/ frequency — 220/230V/50Hz, for octagonal tubes **RT70x1.2**, **RT102x2.5** (NM2-PP/60-12, NM2-PP/80-12 — with the bracket RT70x1.2; NM2-PP/100-12, NM2/140-8 — with adapter for octagonal tube RT102x2.5)

mit mechanischen Endschaaltern, Spannungsversorgung /mit Öse PP250/ Netzfrequenz — 220/230V/50Hz, für Achtkantwellen **RT70x1.2**, **RT102x2.5** (NM2-PP/60-12, NM2-PP/80-12 — mit Adapter für Achtkantwelle RT70x1.2; NM2-PP/100-12, NM2/140-8 — mit Adapter für Achtkantwelle RT102x2.5)



Code Code Code	Référence Article Artikel	Couple, Nm Nominal torque, Nm Nominaler Dre- hmoment, Nm	Vitesse de rotation, min ⁻¹ Rotation speed, min ⁻¹ Umdrehungen/ min.	W	A	Duree de fon- ctionnement, min Operation time, min Betriebsdauer, min	Vitesse maximale Max. rotation number Max. Drehzahl	Dimensions, mm, L Dimensions, mm, L Abmessungen, mm, L	Protection Protection degree Schutzgrad
323044000	NM2-PP/60-12	60	12	330	1.3	4	23	708	IP44
323045000	NM2-PP/80-12	80	12	360	1.5	4	23	708	IP44
323046000	NM2-PP/100-12	100	12	430	2	4	23	708	IP44
323047000	NM2-PP/140-8	140	8	450	2	4	23	708	IP44

Accessoires pour les moteurs électriques AN-MOTORS Accessories for electric motors AN-MOTORS Zubehör für AN-MOTORS-Elektroantriebe

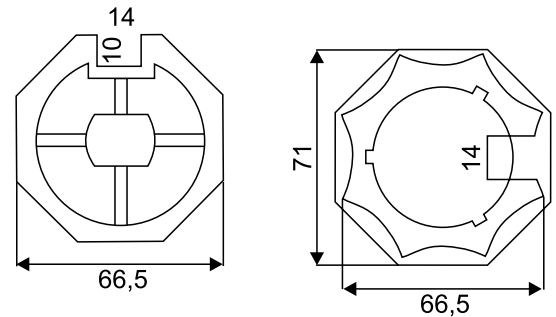
ADL/60 | ADAPTATEUR | ADAPTER | ADAPTER

Pour tube octo de 70 mm, muni d'un anneau de fin de course, pour moteurs **NK1, NM1-PP**

For 70 mm octagonal roll tube. Completed with end-position ring, for **NK1 and NM1-PP** electric motors

Für Achtkantwelle 70 mm, Set mit Mitnehmer, für Elektroantriebe der Serien **NK1 und NM1-PP**

Référence • Article • Artikel	Code • Code • Code
ADL/60	1140420



Commande standardisée, pièces / Standard pack, set / Verpackungseinheit, Set.....1,0

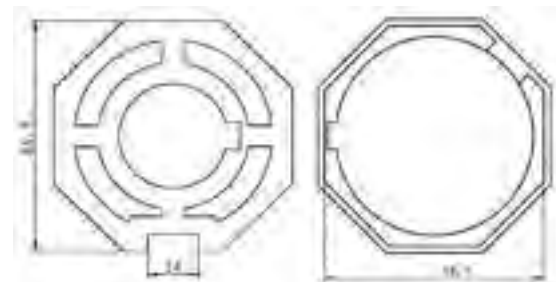
ADL/70S | ADAPTATEUR | ADAPTER | ADAPTER

Pour tube octo de **RT70x1.2**, muni d'un anneau de fin de course, pour moteurs **NR2, NM2-PP**

For **RT70x1.2** octagonal roll tube. Completed with end-position ring, for **NR2, NM2-PP** electric motors

Für Achtkantwelle **RT70x1.2**, Set mit Mitnehmer, für Elektroantriebe der Serien **NR2, NM2-PP**

Référence • Article • Artikel	Code • Code • Code
ADL/70S	323036100



Commande standardisée, pièces / Standard pack, set / Verpackungseinheit, Set.....1,0

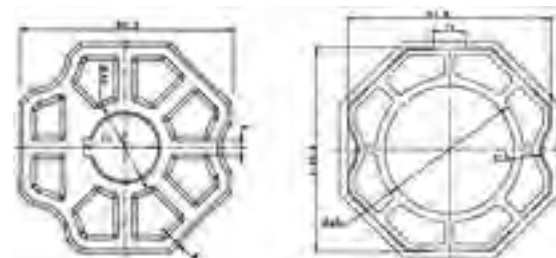
ADL/102 | ADAPTATEUR | ADAPTER | ADAPTER

Pour tube octo de **RT102x2.5**, muni d'un anneau de fin de course, pour moteurs **NR2, NM2-PP**

For **RT102x2.5** octagonal roll tube. Completed with end-position ring, for **NR2, NM2-PP** electric motors

Für Achtkantwelle **RT102x2.5**, Set mit Mitnehmer, für Elektroantriebe der Serien **NR2, NM2-PP**

Référence • Article • Artikel	Code • Code • Code
ADL/102	323028100



Commande standardisée, pièces / Standard pack, set / Verpackungseinheit, Set.....1,0

Moteurs électriques ALUTECH

ALUTECH electric motors

Elektroantriebe ALUTECH

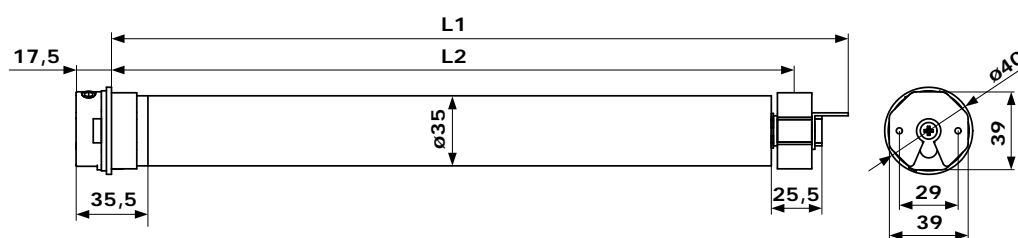
ALUTECH AM0 series | MOTEURS ÉLECTRIQUES | TUBULAR ELECTRIC MOTORS | ELEKTRISCHER EINSTECKANTRIEB

Avec le système mécanique des contacteurs de fin de cours, voltage d'alimentation / la fréquence du réseau – 220/230V/50Hz, pour les tubes octo **RT40×0,5** et **RT40×0,6**. Avec l'adaptateur et la fixation pour les tubes octo **RT40**.

with mechanic limit switches, rated voltage/frequency 220/230V/50Hz, for octagonal tubes **RT40×0,5** and **RT40×0,6**. With the bracket and adapter for **RT40**.

Mit mechanischen Endschaltern, Spannungsversorgung / Netzfrequenz — 220/230V/50Hz, für Achtkantwellen **RT40×0,5** und **RT40×0,6**. Mit Befestigung und Adapter für die Achtkantwellen **RT40**.

**NOUVEAUTÉ
NEW
NEUHEIT**



Code Code Code	Référence Article Artikel	Couple, Nm Nominal torque, Nm Drehmoment, Nm	Vitesse de rotation, min ⁻¹ Rotation speed, min ⁻¹ Umdrehungen, Min.	Q-té max de rotation Max. rotation number Max. Drehzahl	W	A	Poids, kg Weight, kg Gewicht, kg	Longueur, mm, L1 Length, mm, L1 Abmessun- gen, mm, L1	Longueur, mm, L2 Length, mm, L2 Abmessun- gen, mm, L2	Protection Protection degree Schutzgrad	Durée de fon- ctionnement, min Operation time, min Dauerbetrieb- szeit, Min.
326001000	AM0/06-28	6	28	36	121	0,53	1,67	468	442	IP44	4
326002000	AM0/10-17	10	17	36	121	0,53	1,66	468	442	IP44	4
326003000	AM0/10-17D	10	17	17	121	0,53	1,55	388	361	IP44	4

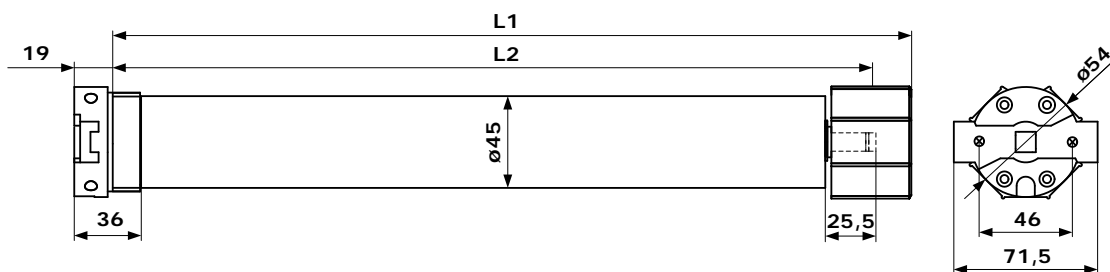
ALUTECH AM1 series | MOTEURS ÉLECTRIQUES | TUBULAR ELECTRIC MOTORS | ELEKTRISCHER EINSTECKANTRIEB

Avec le système mécanique des contacteurs de fin de cours, voltage d'alimentation / la fréquence du réseau – 220/230V/50Hz, pour les tubes octo **RT60×0,6**, **RT60×0,8** et **RT70×1,2**. Avec l'adaptateur et la fixation pour les tubes octo **RT60**.

With mechanic limit switches, rated voltage/frequency 220/230V/50Hz, for octagonal tubes **RT60×0,6**, **RT60×0,8** and **RT70×1,2**. With the bracket and adapter for **RT60**.

Mit mechanischen Endschaltern, Spannungsversorgung / Netzfrequenz — 220/230V/50Hz, für Achtkantwellen **RT60×0,6**, **RT60×0,8** und **RT70×1,2**. Mit Befestigung und Adapter für die Achtkantwellen **RT60**.

**NOUVEAUTÉ
NEW
NEUHEIT**



Code Code Code	Référence Article Artikel	Couple, Nm Nominal torque, Nm Drehmoment, Nm	Vitesse de rotation, min ⁻¹ Rotation speed, min ⁻¹ Umdrehun- gen, Min.	Q-té max de rotation Max. rotation number Max. Drehzahl	W	A	Poids, kg Weight, kg Gewicht, kg	Longueur, mm, L1 Length, mm, L1 Abmessun- gen, mm, L1	Longueur, mm, L2 Length, mm, L2 Abmessun- gen, mm, L2	Protection Protection degree Schutzgrad	Durée de fon- ctionnement, min Operation time, min Dauerbetrieb- szeit, Min.
326004000	AM1/10-15	10	15	22	112	0,49	2,41	470	450	IP44	4
326005000	AM1/20-15	20	15	22	145	0,64	2,6	470	450	IP44	4
326006000	AM1/30-15	30	15	22	191	0,83	2,94	540	520	IP44	4
326007000	AM1/40-15	40	15	22	198	0,86	3,13	540	520	IP44	4
326008000	AM1/50-12	50	12	22	205	0,89	3,19	540	520	IP44	4

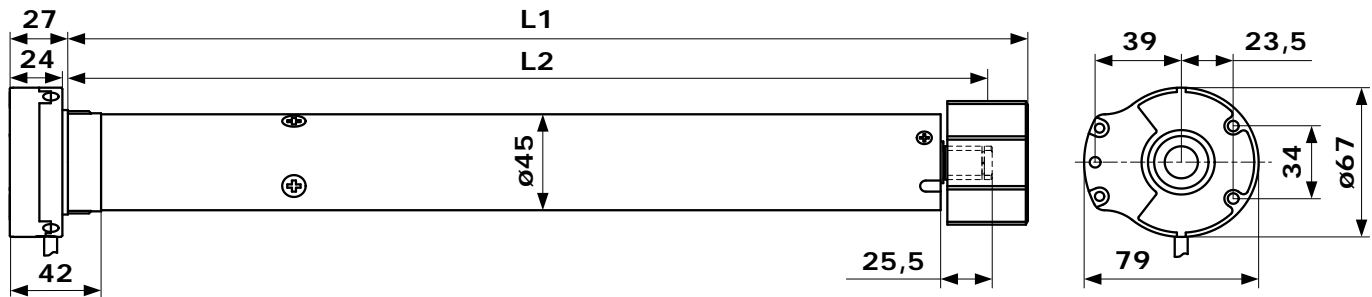
ALUTECH AM1-PP series | MOTEURS ÉLECTRIQUES | TUBULAR ELECTRIC MOTORS | ELEKTRISCHER EINSTECKANTRIEB

**NOUVEAUTÉ
NEW
NEUHEIT**

Avec le système mécanique des contacteurs de fin de cours, voltage d'alimentation / la fréquence du réseau – 220/230V/50Hz, pour les tubes octo **RT60x0,6**, **RT60x0,8** et **RT70x1,2**. Avec l'adaptateur, la fixation et l'oeillet 228 mm pour les tubes octo **RT60**.

With manual override, rated voltage/frequency 220/230V/50Hz, for octagonal tubes **RT60x0,6**, **RT60x0,8** and **RT70x1,2**. With the bracket, adapter for **RT60** and 228 mm eye.

Mit Nothandkurbel, Spannungsversorgung / Netzfrequenz - 220/230V/50Hz, für Achtkantwellen **RT60x0,6**, **RT60x0,8** und **RT70x1,2**. Mit Befestigung und Adapter für die Achtkantwellen **RT60** und die Öse 228 mm.



Code	Référence	Couple, Nm	Vitesse de rotation, min ⁻¹	Q-té max de rotation	W	A	Poids, kg	Longueur, mm, L1	Longueur, mm, L2	Protection	Durée de fonctionnement, min
Code	Article	Nominal torque, Nm	Rotation speed, min ⁻¹	Max. rotation number			Weight, kg	Length, mm, L1	Length, mm, L2	Protection degree	Operation time, min
Code	Artikel	Drehmoment, Nm	Umdrehungen, Min.	Max. Drehzahl			Gewicht, kg	Abmessungen, mm, L1	Abmessungen, mm, L2	Schutzgrad	Dauerbetriebszeit, Min.
326009000	AM1-PP/20-15	20	15	22	145	0,63	3,38	540	520	IP44	4
326010000	AM1-PP/30-15	30	15	22	191	0,83	3,72	600	580	IP44	4
326011000	AM1-PP/40-15	40	15	22	198	0,86	3,9	600	580	IP44	4
326012000	AM1-PP/50-12	50	12	22	205	0,89	3,91	600	580	IP44	4

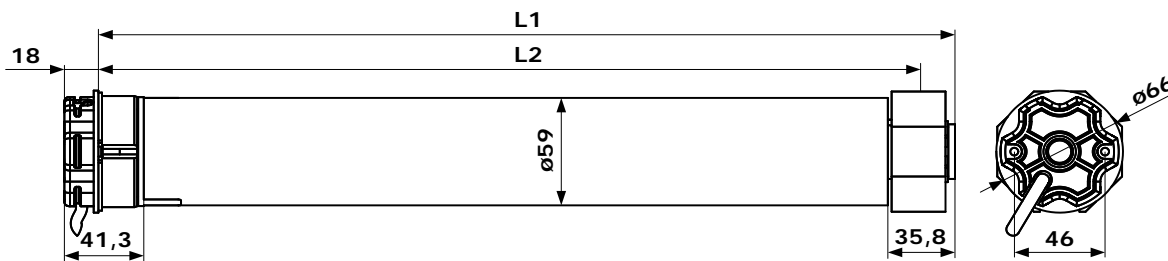
ALUTECH AM2 series | MOTEURS ÉLECTRIQUES | TUBULAR ELECTRIC MOTORS | ELEKTRISCHER EINSTECKANTRIEB

**NOUVEAUTÉ
NEW
NEUHEIT**

Avec le système mécanique des contacteurs de fin de cours, voltage d'alimentation / la fréquence du réseau – 220/230V/50Hz, pour les tubes octo **RT70x1,2** et **RT102x2,5**. Avec l'adaptateur et la fixation pour les tubes octo: AM2/60-15 et AM2/80-15 - **RT70x1,2**; AM2/100-12 et AM2/120-9 - **RT102x2,5**.

With mechanic limit switches, rated voltage/frequency 220/230V/50Hz, for octagonal tubes **RT70x1,2** and **RT102x2,5**. With the bracket and adapter for tubes: AM2/60-15 and AM2/80-15 for **RT70x1,2**; AM2/100-12 and AM2/120-9 for **RT102x2,5**.

Mit mechanischen Endschaltern, Spannungsversorgung / Netzfrequenz - 220/230V/50Hz, für Achtkantwellen **RT70x1,2** und **RT102x2,5**. Mit Befestigung und Adapter für die Achtkantwellen: AM2/60-15 und AM2/80-15 - für die Welle **RT70x1,2**; AM2/100-12 und AM2/120-9 - für die Welle **RT102x2,5**.



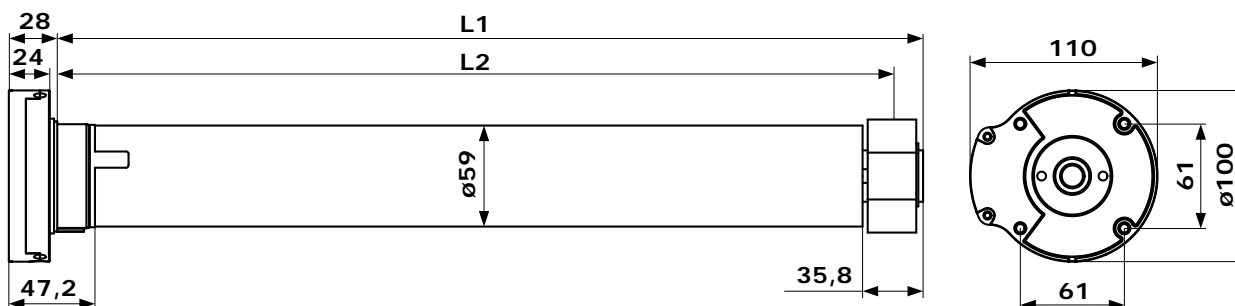
Code	Référence	Couple, Nm	Vitesse de rotation, min ⁻¹	Q-té max de rotation	W	A	Poids, kg	Longueur, mm, L1	Longueur, mm, L2	Protection	Durée de fonctionnement, min
Code	Article	Nominal torque, Nm	Rotation speed, min ⁻¹	Max. rotation number			Weight, kg	Length, mm, L1	Length, mm, L2	Protection degree	Operation time, min
Code	Artikel	Drehmoment, Nm	Umdrehungen, Min.	Max. Drehzahl			Gewicht, kg	Abmessungen, mm, L1	Abmessungen, mm, L2	Schutzgrad	Dauerbetriebszeit, Min.
326013000	AM2/60-15	60	15	22	310	1,35	5,68	638	618	IP44	4
326014000	AM2/80-15	80	15	22	330	1,43	6	638	618	IP44	4
326015000	AM2/100-12	100	12	22	345	1,52	6,1	638	617	IP44	4
326016000	AM2/120-9	120	9	22	350	1,56	6,35	638	617	IP44	4

ALUTECH AM2-PP | MOTEURS ÉLECTRIQUES | TUBULAR ELECTRIC MOTORS | ELEKTRISCHER EINSTECKANTRIEB

Avec le système mécanique des contacteurs de fin de cours, voltage d'alimentation / la fréquence du réseau – 220/230V/50Hz, pour les tubes octo **RT70×1,2** et **RT102×2,5**. Avec l'adaptateur, la fixation et l'oeillet 228mm pour les tubes octo: AM2-PP/60-15 et AM2-PP/80-15 - **RT70×1,2**; AM2-PP/100-12 et AM2-PP/120-9 - **RT102×2,5**.

With manual override, rated voltage/frequency 220/230V/50Hz, for octagonal tubes **RT70×1,2** and **RT102×2,5**. With the bracket, 228mm eye and adapter for tubes: AM2-PP/60-15 and AM2-PP/80-15 for **RT70×1,2**; AM2-PP/100-12 and AM2-PP/120-9 for **RT102×2,5**.

Mit Nothandkurbel, Spannungsversorgung / Netzfrequenz - 220/230V/50Hz, für Achtkantwellen **RT70×1,2** und **RT102×2,5**. Mit Befestigung, Öse 228 mm und Adapter für die Achtkantwellen: AM2-PP/60-15 und AM2-PP/80-15 - für die Welle **RT70×1,2**; AM2-PP/100-12 und AM2-PP/120-9 - für die Welle **RT102×2,5**.

**NOUVEAUTÉ
NEW
NEUHEIT**


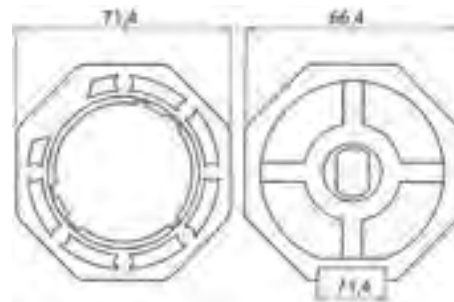
Code Code Code	Référence Article Artikel	Couple, Nm Nominal torque, Nm Drehmoment, Nm	Vitesse de rotation, min ⁻¹ Rotation speed, min ⁻¹ Umdrehun- gen, Min.	Q-té max de rotation Max. rotation number Max. Drehzahl	W	A	Poids, kg Weight, kg Gewicht, kg	Longueur, mm, L1 Length, mm, L1 Abmessun- gen, mm, L1	Longueur, mm, L2 Length, mm, L2 Abmessun- gen, mm, L2	Protection degree Schutzgrad	Durée de fon- ctionnement, min Operation time, min Dauerbetriebs- zeit, Min.
326017000	AM2-PP/60-15	60	15	22	310	1,35	7,52	736	719	IP44	4
326018000	AM2-PP/80-15	80	15	22	330	1,43	7,86	736	719	IP44	4
326019000	AM2-PP/100-12	100	12	22	345	1,52	8,27	736	717	IP44	4
326020000	AM2-PP/120-9	120	9	22	350	1,56	8,37	736	717	IP44	4

Accessoires pour les moteurs électriques ALUTECH Accessories for electric motors ALUTECH Zubehör für Elektroantriebe ALUTECH

ADA/60 | ADAPTATEUR | ADAPTER | ADAPTER

Pour le tube octo **RT70**, pour les moteurs électriques des séries AM1 et AM1-PP
For **RT70x1,2** octagonal tube. Completed with end position locking ring, for electric motors AM1 and AM1-PP series.
Für Achtkantwelle **RT70**, kpl mit Übergangsstück, für Elektroantriebe der Serien AM1 und AM1-PP.

Référence • Article • Artikel	Code • Code • Code
ADA/60	326021000



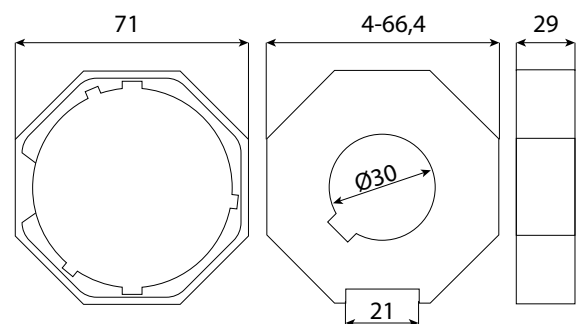
**NOUVEAUTÉ
NEW
NEUHEIT**

Commande standardisée, pièces / Standard pack, set / Verpackungseinheit, Set.....1,0

ADA/70 | ADAPTATEUR | ADAPTER | ADAPTER

Pour le tube octo **RT70**, pour les moteurs électriques des séries AM2 et AM2-PP
For **RT70x1,2** octagonal tube. Completed with end position locking ring, for electric motors AM2 and AM2-PP series.
Für Achtkantwelle **RT70**, kpl mit Übergangsstück, für Elektroantriebe der Serien AM2 und AM2-PP.

Référence • Article • Artikel	Code • Code • Code
ADA/70	326022000



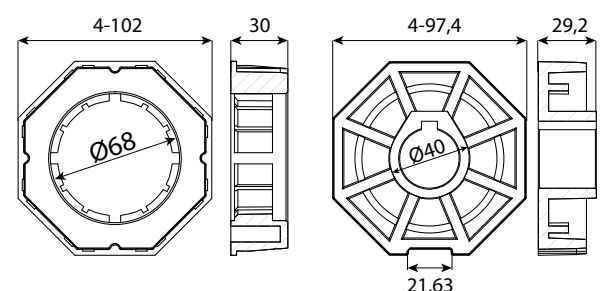
**NOUVEAUTÉ
NEW
NEUHEIT**

Commande standardisée, pièces / Standard pack, set / Verpackungseinheit, Set.....1,0

ADA/102 | ADAPTATEUR | ADAPTER | ADAPTER

Pour le tube octo **RT102**, pour les moteurs électriques des séries AM2 et AM2-PP
For **RT102x2,5** octagonal tube. Completed with end position locking ring, for electric motors AM2 and AM2-PP series.
Für Achtkantwelle **RT102**, kpl mit Übergangsstück, für Elektroantriebe der Serien AM2 und AM2-PP.

Référence • Article • Artikel	Code • Code • Code
ADA/102	326023000



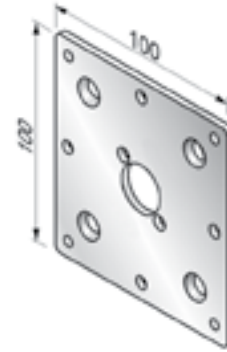
**NOUVEAUTÉ
NEW
NEUHEIT**

Commande standardisée, pièces / Standard pack, set / Verpackungseinheit, Set.....1,0

Autres accessoires
Other accessories
Sonstiges Zubehör

KMU | SUPPORT UNIVERSEL | UNIVERSAL MOTOR BRACKET | UNIVERSAL-BEFESTIGUNG

Support en acier pour montage des moteurs **Neo S**
Steel, for **Neo S** electric motors
Stahl, zur Montage von Elektroantrieben der Serie **Neo S**



Référence • Article • Artikel	Code • Code • Code
KMU	1140901

Commande standardisée, pièces / Standard pack, pcs / Verpackungseinheit, Stk 1

KMU/G, KMU/WG | SUPPORT UNIVERSEL | UNIVERSAL MOTOR BRACKET | UNIVERSAL-BEFESTIGUNG

En acier, le kit inclut 4 vis et 4 rondelles pour attacher le support à la joue latérale.
Poser sans perçage dans les joues latérales **SF45/u-B**.

Steel, the kit consists of 4 screws and 4 washers to fasten the motor bracket to the end cap.
Install without drilling into the **SF45/u-B** end caps.

Stahl, in einem Lieferumfang sind 4 Schrauben und 4 Scheiben zur Befestigung an die Blendenkappe enthalten.
Sie werden in die Blendenkappen **SF45/u-B** ohne Anbohren angebracht.

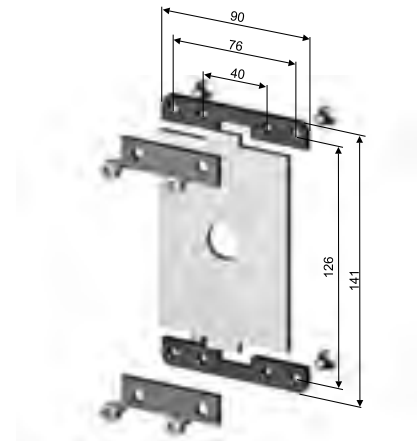


Référence • Article • Artikel	Code • Code • Code	Application • Application • Beschreibung
KMU/G	315001000	Pour le montage des moteurs électriques Somfy LT50 NHK (RTS), LT60 NHK, le réducteur W35M For Somfy LT50 NHK (RTS), LT60 NHK electric motors, W35M gear Zur Befestigung der Elektroantriebe Somfy LT50 NHK (RTS), LT60 NHK, des Getriebes W35M
KMU/WG	315002000	Pour le montage des moteurs électriques Somfy LS 40 et Altus 40 RTS, AN-Motors NR0, NK1 et des supports SBB28, SBB42 For Somfy LS 40 and Altus 40 RTS, AN-Motors NR0, NK1 electric motors and SBB28, SBB42 supports Zur Befestigung der Elektroantriebe Somfy LS 40 und Altus 40 RTS, AN-Motors NR0, NK1 und der Anschraublager SBB28, SBB42

Commande standardisée, kit / Standard pack, kit / Verpackungseinheit, Set30

KM/NHK | SUPPORT | MOTOR BRACKET | BEFESTIGUNG

Support en acier pour montage des moteur avec manoeuvre de secours manuelle
Steel, for built-in assembly of the motors with manual override
Stahl, für Unterputzmontage von NHK-Antrieben

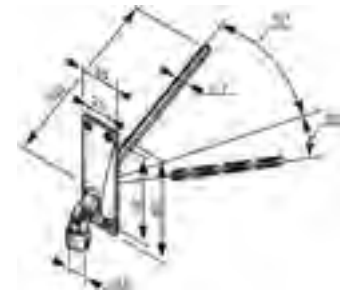


Référence • Article • Artikel	Code • Code • Code
KM/NHK	1140910

Commande standardisée, pièces / Standard pack, set / Verpackungseinheit, Set5,0

CJ7 | JOINT DE CARDAN 70° | 70° CARDAN JOINT | KURBELGESTÄNGE 70°

Avec la broche hexaèdre de 7 mm, utilisé avec le treuil **H150**. Pour moteurs à manoeuvre de secours manuelle
7 mm six-sided pin, compatible with **H150** crank rod. For motors with manual override
Für Kurbel **H150**, mit Siebenkantstift 7 mm. Kurbel für NHK-Antriebe



Référence • Article • Artikel	Code • Code • Code
CJ7	1141410

Commande standardisée, pièces / Standard pack, pcs / Verpackungseinheit, Stk10

CJ7M | CARDAN 70° | 70° CARDAN JOINT | KURBELGESTÄNGE 70°

Avec la broche hexaèdre de 7 mm, utilisé avec le treuil **H150**. Pour moteurs à manoeuvre de secours manuelle
7 mm six-sided pin, compatible with **H150** crank rod
Für Kurbel **H150**, mit Siebenkantstift 7 mm



Référence • Article • Artikel	Code • Code • Code
CJ7M	1141412

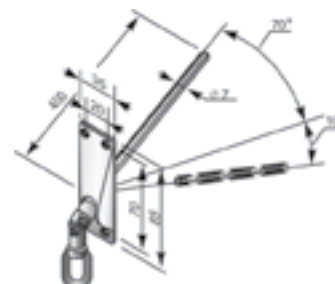
Commande standardisée, pièces / Standard pack, pcs / Verpackungseinheit, Stk10

CJ7/P | CARDAN 70° | 70° CARDAN JOINT | KURBELGESTÄNGE 70°

Avec la broche hexaèdre et œillet. Utilisé avec les treuils **KP**. Pour moteurs à manœuvre de secours manuelle

Six-sided pin end eye, compatible with **KP** crank rods

Für Kurbeln **KP**, mit Siebenkantstift und Öse



Référence • Article • Artikel	Code • Code • Code
CJ7/P	1141415

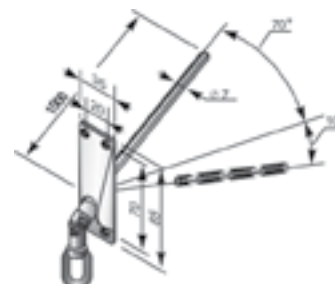
Commande standardisée, pièces / Standard pack, pcs / Verpackungseinheit, Stk10

CJ7-1000/P | CARDAN 70° | 70° CARDAN JOINT | KURBELGESTÄNGE 70°

Avec la broche hexaèdre et œillet. Utilisé avec les treuils **KP**. Pour moteurs à manœuvre de secours manuelle

Six-sided pin end eye, compatible with **KP** crank rods

Für Kurbeln **KP**, mit Siebenkantstift und Öse



Référence • Article • Artikel	Code • Code • Code
CJ7-1000/P	1142913

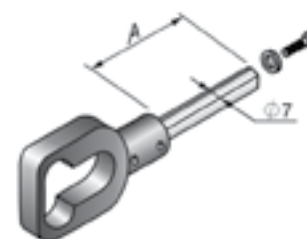
Commande standardisée, pièces / Standard pack, pcs / Verpackungseinheit, Stk10

PP/165, PP/175, PP/225, PP/325, PP/425 | ŒILLET | EYE | ÖSE

Œillet de commande pour les moteurs avec manœuvre de secours manuelle, utilisé avec les treuils **KP**

For electric motors with manual override, compatible with **KP** crank rods

Für NHK-Antriebe, für Kurbeln **KP**



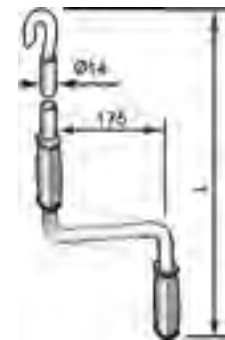
Référence • Article • Artikel	A, mm	Code • Code • Code
PP/165	165	1141212
PP/175	175	1141213
PP/225	225	1141214
PP/325	325	1141215
PP/425	425	1141216

Commande standardisée, pièces / Standard pack, pcs / Verpackungseinheit, Stk 1

KP/1000, KP/1500, KP/2000 | TREUIL | CRANK ROD | KURBEL

Treuil de commande pour moteurs à manœuvre de secours manuelle
For motors with manual override
Kurbel für NHK-Antriebe

Référence • Article • Artikel	L, mm	Code • Code • Code
KP/1000	1000	310006100
KP/1500	1500	1141301
KP/2000	2000	1141302



Commande standardisée, pièces / Standard pack, pcs / Verpackungseinheit, Stk.....10

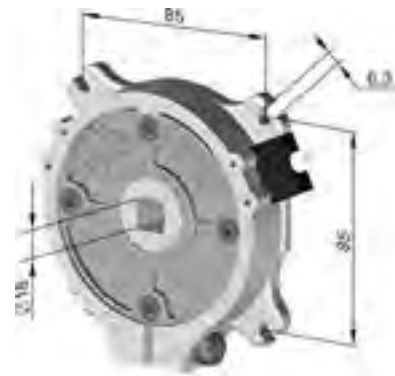
IB/95-17 | PARACHUTE | SAFETY BRAKE | ABROLLSICHERUNG

À utiliser avec les moteurs électriques et embouts modulables **APB102/B**. Vitesse maximum de rotation est de 22 min⁻¹. Couple admissible – 95 Nm. Moment d'arrêt max. – 197 Nm.

Applied with electric motors and adjustable cap **APB102/B**. Max. rotation speed – 22 min⁻¹. Max. torque – 95 Nm. Max. intercept moment – 197 Nm.

Wird zusammen mit Elektroantrieben und Wellenbolzen **APB102/B** verwendet. Umdrehungen/min. – max. 20. Zulässiges Drehmoment – 95 Nm. Zulässiges Fangmoment – 197 Nm.

Référence • Article • Artikel	Code • Code • Code
IB/95-17	1144513



Commande standardisée, pièces / Standard pack, set / Verpackungseinheit, Set.....1,0

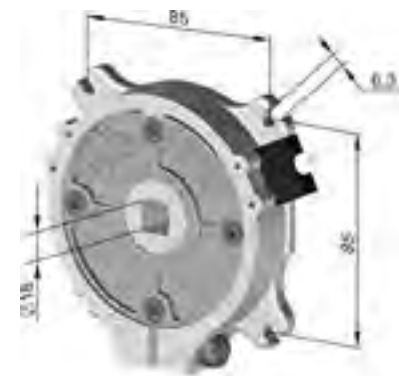
IB/147 | PARACHUTE | SAFETY BRAKE | ABROLLSICHERUNG

À utiliser avec les moteurs électriques et capsules réglables de type **APB**. Vitesse maximum de rotation est de 22 min⁻¹. Couple admissible – 147 Nm. Moment d'arrêt max. – 573 Nm. Fourni avec câble 5 m.

Applied with electric motors and adjustable cap **APB**. Max. rotation speed – 22 min⁻¹. Max. torque – 147 Nm. Max. intercept moment – 573 Nm. Delivered with 5 m cable.

Wird zusammen mit Elektroantrieben und Wellenbolzen **APB** verwendet. Umdrehungen/min. – max. 20. Zulässiges Drehmoment – 147 Nm. Zulässiges Fangmoment – 573 Nm. Lieferfähig mit 5 m langem Kabel.

Référence • Article • Artikel	Code • Code • Code
IB/147	1144512



Commande standardisée, pièces / Standard pack, set / Verpackungseinheit, Set.....1,0

S-NHK | SYSTÈME DU BLOCAGE NHK | BLOCKING SYSTEM | SYSTEM DER NHK-SPERRUNG

La protection contre l'utilisation non autorisée du réducteur NHK du moteur électrique tubulaire. Le kit contient une serrure à deux clés, un câble, un bloqueur.

Prevents unauthorised use of NHK tubular motor. Supplied with a lock and two keys, cable, blocking part.

Zum Schutz vor unbefugtem Einsatz des NHK-Getriebes beim elektrischen Elektroantrieb. Zum Set gehören das Schloss mit 2 Schlüsseln, Seil, Sperrvorrichtung.

**NOUVEAUTÉ
NEW
NEUHEIT**



Référence • Article • Artikel	Code • Code • Code
S-NHK	316018000

Commande standardisée, pièces / Standard pack, pcs / Verpackungseinheit, Stk 5

SYSTÈMES DE COMMANDE SOMFY SOMFY CONTROL SYSTEMS SOMFY-STEUERUNGEN

Systèmes de commande radio RTS Radio control system RTS Funksteuerung RTS

Telis (1 Pure, 4 Pure) | TABLEAU DE COMMANDE À DISTANCE | RADIO TRANSMITTER | FUNKHANDSENDER

Destiné à la transmission du radiosignal de gestion sur les récepteurs **Somfy RTS**, et aussi sur les appareils de transmission électriques **Oximo RTS**

Designed to transfer control radio signal to receivers **Somfy RTS**, also tubular motors **Oximo RTS**

Dient zur Übertragung von Funksignalen an **Somfy RTS** Empfänger, sowie auf Elektroantriebe **Oximo RTS**



Référence Article Artikel	Description • Description • Beschreibung	Code Code Code
Telis 1 Pure	1 canal	1153711
	1-channel	
	1 Kanal	
Telis 4 Pure	4 canaux	1153712
	4-channel	
	4 Kanal	

Commande standardisée, pièces / Standard pack, pcs / Verpackungseinheit, Stk 1

Keytis (2RTS, 4RTS) | TÉLÉCOMMANDE | REMOTE CONTROL TRANSMITTER | FUNKHANDSENDER

À deux canaux. Assure la transmission des commandes sur l'unité de commande par radio

Two-channel, used to transmit signals to radio control

Dient zur Übertragung des Funk-Steuersignals zur Funksteuerung



Référence Article Artikel	Description • Description • Beschreibung	Code Code Code
Keytis 2RTS	2 canal	1153704
	2-channel	
	2 Kanal	
Keytis 4RTS	4 canaux	321019100
	4-channel	
	4 Kanal	

Commande standardisée, pièces / Standard pack, pcs / Verpackungseinheit, Stk 1

Termosunis Indoor Wirefree RTS | CAPTEUR RADIO DE TEMPÉRATURE ET DE LUMIÈRE | TEMPERATURE AND LIGHT SENSOR | FUNKSONNENSENSOR

Pour la motorisation des volets à distance selon la température et le niveau d'éclairage du local. A utiliser avec les récepteurs **Somfy RTS**, et les moteurs électriques **Oximo 50 RTS, LT 50 NHK RTS**

Designed for automatic remote control of roller shutters depending on the inside temperature and day light. Used with receiver **Somfy RTS**, electric motors **Oximo 50 RTS, LT 50 NHK RTS**

Dient für die automatische Steuerung des Rollladens nach der Veränderung der Lichtintensität. Verwendbarkeit mit Funkempfängern **Somfy RTS**, Elektroantrieben **Oximo 50 RTS, LT 50 NHK RTS**



Référence • Article • Artikel	Code • Code • Code
Termosunis Indoor Wirefree RTS	322003100

Commande standardisée, pièces / Standard pack, pcs / Verpackungseinheit, Stk 1

Chronis RTS | RADIOMINUTEUR PROGRAMMÉ | RADIOTIMER | FUNKPROGRAMMSCHALTUHR

Destiné à la commande automatique à distance d'une ou de plusieurs appareils de transmission électriques. Avec un programme astronomique, protecteur, quotidien et d'une semaine incorporé

Designed for automatic remote control of one or several motors. With built-in astronomic, safety, daily and weekly programmms

Zur automatischen Fernbedienung von einzelnen oder mehreren Elektroantrieben. Mit integrierter Astro- und Schutzfunktion, mit Tages- und Wochenprogramm



Référence • Article • Artikel	Code • Code • Code
Chronis RTS	1154701

Commande standardisée, pièces / Standard pack, pcs / Verpackungseinheit, Stk 1

Centralis Uno RTS | COMMANDE RADIO | RADIO CONTROL | FUNKSTEUERUNG

Dispositif d'action avec un récepteur incorporé. Destiné à la transmission du radiosignal de gestion sur l'appareil de transmission électrique, avec la possibilité de commander individuellement et centralisé

Individual control with built-in radio receiver. Designed to control motor and trasfer a control signal from radiotransmitter to motor. With possibility of individual and centralcontrol

Steuerung mit integriertem Funkempfänger. Geeignet zur Übertragung von Funksignalen an Elektroantriebe, Einzelne und zentrale Steuerung zulässig



Référence • Article • Artikel	Code • Code • Code
Centralis Uno RTS	1154801

Commande standardisée, pièces / Standard pack, pcs / Verpackungseinheit, Stk 1

Centralis Indoor RTS | COMMANDE RADIO | RADIO CONTROL | FUNKSTEUERUNG

Récepteur. Destiné à la transmission du signal de gestion du récepteur sur l'appareil de transmission électrique

Radio receiver. Designed to trasfer a control signal from a radiotransmitter to motor.

Funkempfänger, zur Übertragung von Funksignalen an Elektroantriebe



Référence • Article • Artikel	Code • Code • Code
Centralis Indoor RTS	1153301

Commande standardisée, pièces / Standard pack, pcs / Verpackungseinheit, Stk 1

Axroll | COMMANDE RADIO | RADIO CONTROL | FUNKSTEUERUNG

Monovoie, pour la motorisation des volets roulants en usage personnel aussi bien qu'en usage industriel. La mémoire donne la possibilité de programmer jusqu'à 32 émetteurs radio **RTS Somfy** à la fois. On peut connecter tous les dispositifs de sécurité y compris les capteurs optiques **SIGNAL12** de la "**Barre palpeuse**".

One-channel, designed to control the electric motors installed in private and industrial roller shutter systems. Possible to switch all types of security devices including **SIGNAL 12** of safety edge.

1-Kanal, dient zur Steuerung von Elektroantrieben für Private und Industrie-Rollladensysteme. Einprogrammierung von max. 32 Radiosendern möglich. Einsatz von allen Sicherheitszubehör-typen, darunter von Optosensoren **SIGNAL12** und von optoelektronischer Endleiste möglich.



Référence • Article • Artikel	Code • Code • Code
Axroll	1153101

Commande standardisée, pièces / Standard pack, pcs / Verpackungseinheit, Stk 1

RTS Receiver DC | COMMANDE RADIO | RADIO CONTROL | FUNKSTEUERUNG

Monovoie, pour la motorisation des moteurs électriques des volets roulants à une consommation d'électricité nominale jusqu'à 6A. Il est possible d'y connecter un interrupteur impulsional.

One-channel, designed to operate roller shutters with nominal current drain up to 6A remotely. Possible to use impulse switch.

1-Kanal, dient zur Funksteuerung von Elektroantrieben für Rollläden mit max. nominalem Stromverbrauch von 6A.



Référence • Article • Artikel	Code • Code • Code
RTS Receiver DC	322001100

Commande standardisée, pièces / Standard pack, pcs / Verpackungseinheit, Stk 1

Telis 16 RTS Pure, Telis 16 RTS Silver | TABLEAU DE COMMANDE À DISTANCE | RADIO TRANSMITTER | FUNKHANDSENDER

Destiné à la transmission du radiosignal de gestion sur les récepteurs Somfy RTS, et aussi sur les appareils de transmission électriques Somfy à RTS intégré

Designed to transfer control radio signal to Somfy RTS receivers, also tubular motors with RTS

16-Kanal. Dient zur Übertragung von Funksignalen an Somfy RTS Empfänger sowie auf Somfy Elektroantriebe mit integriertem RTS.



Référence • Article • Artikel	Coloris • Colour • Farbe	Code • Code • Code
Telis 16 RTS Pure	blanc • white • weiß	322005000
Telis 16 RTS Silver	alu argenté • silver • silber	322006000

Commande standardisée, pièces / Standard pack, pcs / Verpackungseinheit, Stk 1

Telis 6 Chronis RTS Pure, Telis 6 Chronis RTS Silver | TABLEAU DE COMMANDE À DISTANCE | RADIO TRANSMITTER | FUNKHANDSENDER

6 canaux, avec une minuterie programmable intégrée. Destiné à la transmission du radiosignal de gestion sur les récepteurs Somfy RTS, et aussi sur les appareils de transmission électriques Somfy à RTS intégré

6-channel, with built-in timer. Designed to transfer control radio signal to Somfy RTS receivers, also tubular motors with RTS

6-Kanal. Mit integrierter Schaltuhr. Dient zur Übertragung von Funksignalen an Somfy RTS Empfänger sowie auf Elektroantriebe mit integriertem RTS.



Référence • Article • Artikel	Coloris • Colour • Farbe	Code • Code • Code
Telis 6 Chronis RTS Pure	blanc • white • weiß	322007000
Telis 6 Chronis RTS Silver	alu argenté • silver • silber	322008000

Commande standardisée, pièces / Standard pack, pcs / Verpackungseinheit, Stk 1

Système de commande IB Control system via a low voltage IB power line IB-Gruppensteuerungen

Chronis IB | MINUTERIE PROGRAMMABLE | TIMER | PROGRAMMSCHALTUHR

Destiné à la commande centralisée d'une ou de plusieurs appareil de transmission électriques sur la bande de bas voltage IB. Avec un programme astronomique, protecteur, quotidien et d'une semaine incorporé

Designed for a central control of one or several motors through a low voltage IB power line. With built-in astronomic, safety, daily and weekly programmms

Zur Steuerung von mehreren oder einzelnen Elektroantrieben durch Kleinspannung-IB-Bussystem. Mit integrierter Astro- und Schutzfunktion, mit Tages- und Wochenprogramm



Référence • Article • Artikel	Code • Code • Code
Chronis IB	1154401

Commande standardisée, pièces / Standard pack, pcs / Verpackungseinheit, Stk 1

Système de commande par câble Cable system of phase control Drahtgebundene Einzelsteuerung

Chronis Uno | MINUTERIE PROGRAMMABLE | TIMER | PROGRAMMSCHALTUHR

Destiné à la commande d'une ou plusieurs appareils de transmission électriques, en combinaison de la commande de groupe. Avec un programme astronomique, protecteur, quotidien et d'une semaine incorporé

Designed to control one or several motors (with group control) With built-in astronomic, safety, daily and weekly programmms

Zur Steuerung von mehreren oder einzelnen Elektroantrieben, in Verbindung mit Gruppensteuerung, mit integrierter Astro- und Schutzfunktion, mit Tages- und Wochenprogramm



Référence • Article • Artikel	Code • Code • Code
Chronis Uno	1154301

Commande standardisée, pièces / Standard pack, pcs / Verpackungseinheit, Stk 1

ELÉMENTS DE COMMANDE NERO ELECTRONICS NERO-ELECTRONICS CONTROL ELEMENTS NERO ELECTRONICS-STEUERUNGEN

Systèmes de commande radio INTRO II INTRO II radio control system INTRO II - Funksteuerung

Intro II 8533-9 | TABLEAU DE TÉLÉCOMMANDE | CENTRAL REMOTE RADIO | ZENTRALFUNKHANDSENDER

à 9 voies, pour la motorisation individuel et en groupe à distance des volets roulants avec des récepteurs **Intro II**. On peut aussi effectuer la motorisation par **Nero II** avec le transcodeur **Nero II 8761 UP**

9 channel, designed for individual or group remote control of roller shutters with receivers of series **Intro II**. Possible to operate **Nero II** devices when transcoder **Nero II 8761 UP** installed

9-Kanal, dient zur Einzel- und Gruppenfunksteuerung mit Funkempfängern der Serie **Intro II**. Steuerung von **Nero II** - Geräten beim installierten Transkoder **Nero II 8761 UP** möglich



Référence • Article • Artikel	Code • Code • Code
Intro II 8533-9	324008100

Commande standardisée, pièces / Standard pack, pcs / Verpackungseinheit, Stk 1

Intro II 8501-5 | TABLEAU DE TÉLÉCOMMANDE | REMOTE RADIO | FUNKHANDSENDER

à 5 voies, pour la motorisation individuel et en groupe à distance des volets roulants avec des récepteurs **Intro II**. On peut aussi effectuer la motorisation par **Nero II** avec le transcodeur **Nero II 8761 UP**

5 channel, designed for individual or group remote control of roller shutters with receivers of series **Intro II**. Possible to operate **Nero II** devices when transcoder **Nero II 8761 UP** installed

5-Kanal, dient zur Einzel- und Gruppenfunksteuerung mit Funkempfängern der Serie **Intro II**. Steuerung von **Nero II** - Geräten beim installierten Transkoder **Nero II 8761 UP** möglich



Référence • Article • Artikel	Code • Code • Code
Intro II 8501-5	324007100

Commande standardisée, pièces / Standard pack, pcs / Verpackungseinheit, Stk 1

Intro II 8501-1 | MINITABLEAU DE COMMANDE | MINI TRANSMITTER | FUNKHANDSENDER

Monovoie, pour la motorisation individuelle à distance des volets roulants avec des récepteurs **Intro II**. On peut aussi effectuer la motorisation par **Nero II** avec le transcodeur **Nero II 8761 UP**

1 channel, designed for individual remote control of roller shutters with receivers of series **Intro II**. Possible to operate **Nero II** devices when transcoder **Nero II 8761 UP** installed

1-Kanal, dient zur Einzel- und Gruppenfunksteuerung mit Funkempfängern der Serie **Intro II**. Steuerung von **Nero II** - Geräten beim installierten Transkoder **Nero II 8761 UP** möglich



Référence • Article • Artikel	Code • Code • Code
Intro II 8501-1	1151922

Commande standardisée, pièces / Standard pack, pcs / Verpackungseinheit, Stk 1

Intro II 8501-2M | MINITABLEAU DE COMMANDE | MINI TRANSMITTER | FUNKHANDSENDER

A 2 voies, pour la motorisation individuelle à distance des volets roulants avec des récepteurs **Intro II**. On peut aussi effectuer la motorisation par **Nero II** avec le transcodeur **Nero II 8761 UP**
 2 channel, designed for individual remote control of roller shutters with receivers of series **Intro II**. Possible to operate **Nero II** devices when transcoder **Nero II 8761 UP** installed
 2-Kanal. Dient zur Einzelsteuerung von Rollläden in Verbindung mit Funkempfängern der Serie **Intro II**. Steuerung von **Nero II** - Geräten beim installierten Transkoder **Nero II 8761 UP** möglich.



Référence • Article • Artikel	Code • Code • Code
Intro II 8501-2M	324015100

Commande standardisée, pièces / Standard pack, pcs / Verpackungseinheit, Stk 1

Intro II 8501-4M | MINITABLEAU DE COMMANDE | MINI TRANSMITTER | FUNKHANDSENDER

A 4 voies, pour la motorisation individuelle à distance des volets roulants avec des récepteurs **Intro II**. On peut aussi effectuer la motorisation par **Nero II** avec le transcodeur **Nero II 8761 UP**
 4 channel, designed for individual remote control of roller shutters with receivers of series **Intro II**. Possible to operate **Nero II** devices when transcoder **Nero II 8761 UP** installed
 4-Kanal. Dient zur Einzelsteuerung von Rollläden in Verbindung mit Funkempfängern der Serie **Intro II**. Steuerung von **Nero II** - Geräten beim installierten Transkoder **Nero II 8761 UP** möglich.



Référence • Article • Artikel	Code • Code • Code
Intro II 8501-4M	324016100

Commande standardisée, pièces / Standard pack, pcs / Verpackungseinheit, Stk 1

Helio 8541R | RADIOCAPTEUR DE LUMINOSITÉ | LIGHT/DARKNESS RADIO SENSOR | HELLIGKEITSSENSOR

Destiné à la détermination de l'intensité d'éclairage et à la transmission des commandes aux émetteurs de la série **Intro II** et/ou au dispositif d'action **Nero II 8761 UP** à l'effet de maintien automatique de l'atmosphère de confort dans le logement
 Designed to determine illumination level and to transfer commands to **Intro II** receivers and / or to control unit **Nero II 8761 UP** in order to keep comfortable atmosphere indoors
 Zum Erkennen der Lichtintensität und zur Übertragung von Steuerbefehlen auf Empfänger der Baureihe **Intro II** und/oder auf Steuerung **Nero II 8761 UP** für ein automatisches Aufrechterhalten des Wohlfühl-Ambientes



Référence • Article • Artikel	Code • Code • Code
Helio 8541R	1152110

Commande standardisée, pièces / Standard pack, pcs / Verpackungseinheit, Stk 1

Intro II 8551-50 | RADIOMINUTERIE | RADIOTIMER | FUNKZEITSCHALTUHR

Tableau de commande central du système **Intro II**, radiominuterie avec la possibilité de commander à distance automatiquement 9 groupes de dispositifs d'automatisation

Central panel of the **Intro II** system, radoitimer for automatic remote control of 9 groups of control units

Zentralsteuerung für **Intro II**-Systeme, Funkzeitschaltuhr für automatische Fernsteuerung von bis zu 9 Gruppen von elektrischen Geräten



Référence • Article • Artikel	Code • Code • Code
Intro II 8551-50	1152702

Commande standardisée, pièces / Standard pack, pcs / Verpackungseinheit, Stk 1

Intro II 8552-50 | RADIOMINUTERIE | RADIOTIMER | FUNKZEITSCHALTUHR

Monocanale, destinée à la commande individuelle à distance des volets roulants, de l'éclairage avec les émetteurs de la série **Intro II**

One-channel, designed for individual remote control of the rolling shutters, light, together with receivers of the series **Intro II**

1-Kanal, geeignet zur Fernsteuerung von einzelnen Rollläden: von Leuchten in Verbindung mit **Intro II** - Empfängern



Référence • Article • Artikel	Code • Code • Code
Intro II 8552-50	1152701

Commande standardisée, pièces / Standard pack, pcs / Verpackungseinheit, Stk 1

Intro II 8503-50 | TABLEAU DE COMMANDE MURAL | WALL-MOUNTED TRANSMITTER | WANDSENDER

Destiné à la commande individuelle à distance et de groupe des volets roulants, de l'éclairage avec les récepteurs de la série **Intro II** (émetteur **Intro II** convient aussi au dispositif d'action **NERO II 8761 UP**)

Designed for individual and group remote control of the rollings, light together with receivers of the **Intro II** series (transmitter **Intro II** is also compatible with control unit **NERO II 8761 UP**)

Zur Einzel- und Gruppenfunksteuerung von Rollläden in Verbindung mit **Intro II**-Empfängern (Funksender **Intro II** ist kombinierbar mit der Steuerung **NERO II 8761 UP**)



Référence • Article • Artikel	Code • Code • Code
Intro II 8503-50	1152301

Commande standardisée, pièces / Standard pack, pcs / Verpackungseinheit, Stk 1

Intro II 8505-50-4 | TABLEAU DE COMMANDE | SCENARIO SWITCH | SZENARIENMANAGER

Pour la motorisation individuelle et en groupe à distance des volets roulants avec des récepteurs **Intro II**. On peut aussi effectuer la motorisation par **Nero II** avec le transcodeur **Nero II 8761 UP**. Permet de réaliser un scénario de motorization par le pressement d'un seul bouton

Designed for individual and group remote control of roller shutters with receivers of series **Intro II**. Possible to operate **Nero II** devices when transcoder **Nero II 8761 UP** installed. Allow to control the senario - any set of alike or differrent actions - with one button

Zur Einzel- und Gruppenfunksteuerung von Rollläden in Verbindung mit Funkempfängern der Serie **Intro II**. Steuerung von **Nero II** - Geräten beim installierten Transkoder **Nero II 8761 UP** möglich. Szenariensteuerung, d.h. Steuerung von gleichen bzw. verschiedenen Funktionen mit einer Taste, möglich



Référence • Article • Artikel	Code • Code • Code
Intro II 8505-50-4	1151924

Commande standardisée, pièces / Standard pack, pcs / Verpackungseinheit, Stk 1

Intro II 8505-50-6 | TABLEAU DE COMMANDE | SCENARIO SWITCH | SZENARIENMANAGER

Pour la motorisation individuelle et en groupe à distance des volets roulants avec des récepteurs **Intro II**. On peut aussi effectuer la motorisation par **Nero II** avec le transcodeur **Nero II 8761 UP**. Permet de réaliser un scénario de motorization par le pressement d'un seul bouton

Designed for individual and group remote control of roller shutters with receivers of series **Intro II**. Possible to operate **Nero II** devices when transcoder **Nero II 8761 UP** installed. Allow to control the senario - any set of alike or differrent actions - with one button

Zur Einzel- und Gruppenfunksteuerung von Rollläden in Verbindung mit Funkempfängern der Serie **Intro II**. Steuerung von **Nero II** - Geräten beim installierten Transkoder **Nero II 8761 UP** möglich. Szenariensteuerung, d.h. Steuerung von gleichen bzw. verschiedenen Funktionen mit einer Taste, möglich



Référence • Article • Artikel	Code • Code • Code
Intro II 8505-50-6	1151925

Commande standardisée, pièces / Standard pack, pcs / Verpackungseinheit, Stk 1

Intro II 8505-50-8 | TABLEAU DE COMMANDE | SCENARIO SWITCH | SZENARIENMANAGER

Pour la motorisation individuelle et en groupe à distance des volets roulants avec des récepteurs **Intro II**. On peut aussi effectuer la motorisation par **Nero II** avec le transcodeur **Nero II 8761 UP**. Permet de réaliser un scénario de motorization par le pressement d'un seul bouton

Designed for individual and group remote control of roller shutters with receivers of series **Intro II**. Possible to operate **Nero II** devices when transcoder **Nero II 8761 UP** installed. Allow to control the senario - any set of alike or differrent actions - with one button

Zur Einzel- und Gruppenfunksteuerung von Rollläden in Verbindung mit Funkempfängern der Serie **Intro II**. Steuerung von **Nero II** - Geräten beim installierten Transkoder **Nero II 8761 UP** möglich. Szenariensteuerung, d.h. Steuerung von gleichen bzw. verschiedenen Funktionen mit einer Taste, möglich



Référence • Article • Artikel	Code • Code • Code
Intro II 8505-50-8	1151926

Commande standardisée, pièces / Standard pack, pcs / Verpackungseinheit, Stk 1

Intro II 8513-50 | DISPOSITIF D'ACTION AVEC LA RADIO | RADIO CONTROL | FUNKSTEUERUNG

Destinée à la commande des appareils de transmission électriques des volets roulants avec la possibilité de programmer environ 30 (123 pour **Intro II**) divers émetteurs en mémoire du dispositif

Designed for control of rolling motors with the possibility to program up to 30 (123 for **Intro II**) of different transmitters into the devices memory

Zur Funksteuerung von Rollladenantrieben, bis zu 30 einprogrammierbare Sender (bis zu 123 für **Intro II**)



Référence • Article • Artikel	Code • Code • Code
Intro II 8513-50	1151950

Commande standardisée, pièces / Standard pack, pcs / Verpackungseinheit, Stk 1

Intro II 8513 UP | RADIOCOMMANDE | RADIO CONTROL | FUNKSTEUERUNG

Au corps incorporé, destinée à la commande des appareils de transmission électriques des volets roulants avec la possibilité de programmer environ 123 émetteurs (tableaux de commande) de la série INTRO II

In a built-in case, designed for control of rollings motors with the possibility to program up to 123 transmitters of the Intro II series

Im Unterputz-Gehäuse, geeignet zur Fernsteuerung von Rollladenantrieben, bis zu 123 einprogrammierbare Intro II – Sender/Handsender



Référence • Article • Artikel	Code • Code • Code
Intro II 8513 UP	1151121

Commande standardisée, pièces / Standard pack, pcs / Verpackungseinheit, Stk 1

Système de commande RADIO RADIO radio control systems RADIO-Funksteuerung

Radio 8101-5 | TÉLÉCOMMANDE | REMOTE CONTROL RADIO | HANDSENDER

à 5 voies, pour la motorisation individuel et en groupe à distance des volets roulants avec des récepteurs **Radio**. On peut aussi effectuer la motorisation par des dispositifs **Nero** avec le transcodeur **Nero 8361 UP**

5 channel, designed for individual and group remote control of roller shutters with receivers of series **Radio**. Possible to operate **Nero** device when transcoder **Nero 8361 UP** installed

5-Kanal, zur Einzel- und Gruppenfunksteuerung von Rollläden in Verbindung mit Funkempfängern der Serie **Radio**. Steuerung von **Nero** - Geräten beim installierten Transkoder **Nero 8361 UP** möglich



Référence • Article • Artikel	Code • Code • Code
Radio 8101-5	324006100

Commande standardisée, pièces / Standard pack, pcs / Verpackungseinheit, Stk 1

Radio 8101-1 | MINITABLEAU DE COMMANDE | MINI TRANSMITTER | FUNKHANDSENDER

Monovoie, pour la motorisation individuelle à distance des volets roulants avec des récepteurs **Radio**. On peut aussi effectuer la motorisation par des dispositifs **Nero** avec le transcodeur **Nero 8361 UP**

1 channel, designed for individual remote control of roller shutters with receivers of series **Radio**. Possible to operate **Nero** device when transcoder **Nero 8361 UP** installed

1-Kanal, zur Einzelfunksteuerung von Rollläden in Verbindung mit Funkempfängern der Serie **Radio**. Steuerung von **Nero** - Geräten beim installierten Transkoder **Nero 8361 UP** möglich



Référence • Article • Artikel	Code • Code • Code
Radio 8101-1	1151913

Commande standardisée, pièces / Standard pack, pcs / Verpackungseinheit, Stk 1

Radio 8101-2M | MINITABLEAU DE COMMANDE | MINI TRANSMITTER | FUNKHANDSENDER

A 2 voies, pour la motorisation individuelle à distance des volets roulants avec des récepteurs **Radio**. On peut aussi effectuer la motorisation par **Nero** avec le transcodeur **Nero 8361 UP**

2 channel, designed for individual remote control of roller shutters with receivers of series **Radio**. Possible to operate **Nero** devices when transcoder **Nero 8361 UP** installed

2-Kanal. Dient zur Einzelsteuerung von Rollläden in Verbindung mit Funkempfängern der Serie **Radio**. Steuerung von **Nero** - Geräten beim installierten Transkoder **Nero 8361 UP** möglich.



Référence • Article • Artikel	Code • Code • Code
Radio 8101-2M	324013100

Commande standardisée, pièces / Standard pack, pcs / Verpackungseinheit, Stk 1

Radio 8101-4M | MINITABLEAU DE COMMANDE | MINI TRANSMITTER | FUNKHANDSENDER

A 4 voies, pour la motorisation individuelle à distance des volets roulants avec des récepteurs Radio.
On peut aussi effectuer la motorisation par Nero avec le transcodeur Nero **8361 UP**
4 channel, designed for individual remote control of roller shutters with receivers of series Radio.
Possible to operate Nero devices when transcoder **Nero 8361 UP** installed
4-Kanal. Dient zur Einzelsteuerung von Rollläden in Verbindung mit Funkempfängern der Serie Radio. Steuerung von Nero - Geräten beim installierten Transkoder **Nero 8361 UP** möglich.



Référence • Article • Artikel	Code • Code • Code
Radio 8101-4M	324014100

Commande standardisée, pièces / Standard pack, pcs / Verpackungseinheit, Stk 1

Radio 8152-50 | RADIOMINUTERIE | RADIOTIMER | FUNKZEITSCHALTUHR

Monovoie, pour la motorisation individuelle à distance des volets roulants et d'éclairage avec les récepteurs **Radio**. On peut aussi effectuer la motorization à l'aide des dispositifs **Nero** avec le transcodeur **Nero 8361 UP**

1 channel, designed for individual remote control of roller shutters, light, with receivers of series **Radio**. Possible to operate **Nero** device when transcoder **Nero 8361 UP** installed

1-Kanal, dient zur Einzelfunksteuerung von Rollläden, Beleuchtungselementen in Verbindung mit Funkempfängern der Serie **Radio**. Steuerung von **Nero**-Geräten beim installierten Transkoder **Nero 8361 UP** möglich



Référence • Article • Artikel	Code • Code • Code
Radio 8152-50	1152711

Commande standardisée, pièces / Standard pack, pcs / Verpackungseinheit, Stk 1

Radio 8113 micro | DISPOSITIF DE COMMANDE RADIO MONOVOIE | ONE CHANNEL RADIO CONTROL | FUNKSTEUERUNG 1-KANAL

**NOUVEAUTÉ
NEW
NEUHEIT**



Référence • Article • Artikel	Code • Code • Code
Radio 8113 micro	324021100

Commande standardisée, pièces / Standard pack, pcs / Verpackungseinheit, Stk 1

Radio 8113 IP65 | RADIOCOMMANDE | RADIO CONTROL | FUNKSTEUERUNG

Pour la motorisation à distance des moteurs électriques des volets roulants avec la possibilité de programmer jusqu'à 750 pupitres **Radio** dans la mémoire du dispositif. Possède la fonction de connection des capteurs optiques de la "**Barre palpeuse**".

Designed for remote control of electric motors with possibility to program up to 750 radios series **Radio** in the device memory. There is an option to switch on optical sensors of the safety edge system.

Zur Funksteuerung von Elektroantrieben. Einprogrammierung von max. 750 Hand-sendern der Serie **Radio** möglich. Zusätzliche Option Anschluss von Optosensoren des Systems "**optoelektronische Schaltleiste**".



Référence • Article • Artikel	Code • Code • Code
Radio 8113 IP65	1151111

Commande standardisée, pièces / Standard pack, pcs / Verpackungseinheit, Stk 1

Radio 8113 UPi | DISPOSITIF DE COMMANDE RADIO MONOVOIE | ONE CHANNEL RADIO CONTROL | FUNKSTEUERUNG 1-KANAL

Pour la motorisation à distance des moteurs électriques des volets roulants avec la possibilité de programmer jusqu'à 500 pupitres **Radio** dans la mémoire du dispositif

Designed for remote control of electric motors with possibility to program up to 500 radios of the series **Radio** in the device memory

Zur Funksteuerung von Elektroantrieben. Einprogrammierung von max. 500 Handsendern der Serie **Radio** möglich



Référence • Article • Artikel	Code • Code • Code
Radio 8113 UPi	324005100

Commande standardisée, pièces / Standard pack, pcs / Verpackungseinheit, Stk 1

Radio 8117 UP | RADIOCARTE | RADIO CARD | FUNK-EMPGANFSMODUL

A deux canaux, pour la commande à distance des barrières, des portes à battants, des portes roulantes, des portes de section avec l'ensemble de mécanismes automatiques et aussi pour la commande des dispositifs d'éclairage, avec la possibilité de programmer environ 50 tableaux de commande de la série Radio en mémoire du dispositif

Two-channel, for remote control of barriers, swing gates, sliding gates, roller garage doors, section doors together with automation unit, also for control of illumination devices, with the possibility to program up to 50 transmitters of the Radio series to the devices memory

2-Kanal, zur Fernsteuerung von Sperrschranken, Dreh-, Schiebe- und Sektionaltoren, sowie zur Ansteuerung von Leuchten. Bis zu 50 einprogrammierbare Handsender; Radio-Baureihe



Référence • Article • Artikel	Code • Code • Code
Radio 8117 UP	1151940

Commande standardisée, pièces / Standard pack, pcs / Verpackungseinheit, Stk 1

Système de commande par réseau électrique 230 V NERO II

Intelligent system of control via 230 V NERO II circuit

Intelligente drahtgebundene Steuerungen 230 V NERO II

Nero II 8450-50 | PUPITRE CENTRAL | CENTRAL CONTROL | ZENTRALSTEUERUNG

Destinée à rassembler les dispositifs d'action du système **Nero II** en groupes (environ 99 groupes)

et à les commander au régime individuel et central

Designed to combine executive units of the **Nero II** series into groups (up to 99 groups) and to control them individually or centrally

Dient zur Vereinigung von **Nero II**-Funkempfängern in Gruppen (bis 99) sowie zur Einzel- und Zentralgruppensteuerung



Référence • Article • Artikel	Code • Code • Code
Nero II 8450-50	1152201

Commande standardisée, pièces / Standard pack, pcs / Verpackungseinheit, Stk 1

Nero II 8410 UP | PUPITRE CENTRAL | CENTRAL CONTROL | ZENTRALSTEUERUNG

Incorporée, destinée à la commande centrale dans le réseau 230B par les dispositifs d'action de la série **Nero II**

Plug-in, designed for central control of **Nero II** executive units through 230V power line

Unterputz-Zentralsteuerung, dient zur zentralen Ansteuerung von **NERO II** - Geräten über das 230V-Stromnetz



Référence • Article • Artikel	Code • Code • Code
Nero II 8410 UP	1152202

Commande standardisée, pièces / Standard pack, pcs / Verpackungseinheit, Stk 1

Nero II 8413-50 | UNITÉ DE COMMANDE | INDIVIDUAL CONTROL | MOTORSTEUERUNG

Assure le contrôle individuel du moteur électrique du système ainsi que la réception et l'exécution des commandes du pupitre central

Used to operate one motor in a group and also to receive command signals from central transmitter

Dient zur Einzelsteuerung von einem Elektroantrieb im System, sowie zur Aufnahme und Ausführung der Befehle von der Steuerungszentrale



Référence • Article • Artikel	Code • Code • Code
Nero II 8413-50	1152611

Commande standardisée, pièces / Standard pack, pcs / Verpackungseinheit, Stk 1

Nero II 8413 UP | UNITÉ DE COMMANDE | INDIVIDUAL CONTROL | MOTORSTEUERUNG

Au corps incorporé, destiné à la commande individuelle de l'appareil de transmission électrique, et aussi à l'admission et à la réalisation des commandes du tableau central
In a built-in case, designed for individual control of the tubular motor, also for assuming and accomplishing commands of a central panel

Im Unterputz-Gehäuse, dient zur Einzelsteuerung von einem Elektroantrieb, sowie zur Aufnahme und Ausführung der Befehle von der Steuerungszentrale



Référence • Article • Artikel	Code • Code • Code
Nero II 8413 UP	1152612

Commande standardisée, pièces / Standard pack, pcs / Verpackungseinheit, Stk 1

Nero II 8761 UP | TRANSCODEUR | TRANSCODER | TRANSKODER

Permet de réunir le système intelligent de commande 230 V **Nero II** avec des systèmes de commande radio **Intro II**

Designed for combination of the intelligent control system via the circuit 230 V **Nero II** and radio control system **Intro II**

Dient zur Kopplung der intelligenten kabelgebundenen Steuerung 230 V **Nero II** und der Funksteuerung **Intro II**



Référence • Article • Artikel	Code • Code • Code
Nero II 8761 UP	324010100

Commande standardisée, pièces / Standard pack, pcs / Verpackungseinheit, Stk 1

Nero II 8400 | ADAPTATEUR DE PHASE | PHASE ADAPTER | PHASENKOPPLER

A utiliser quand le tableau central et/ou le dispositif d'action sont branchés au phases divers du réseau d'alimentation

Used when a central panel and/or individual control unit are wired to different voltage phases

Wird verwendet, wenn Steuerungszentrale und/oder Steuerung an unterschiedliche Phasen angeschlossen sind



Référence • Article • Artikel	Code • Code • Code
Nero II 8400	1152401

Commande standardisée, pièces / Standard pack, pcs / Verpackungseinheit, Stk 1

Système de commande par réseau électrique 230 V NERO

Intelligent control systems 230 V NERO via circuit

Intelligente kabelgebundene Steuerung 230B NERO

NERO 8010 | PUPITRE CENTRAL | CENTRAL CONTROL | STEUERUNGSZENTRALE

Permet de regrouper les unités de commande **NERO 8013** (jusqu'à neuf groupes) en les contrôlant, soit de contrôler n'importe quelle quantité d'unités **NERO 8013**

Used to tie **NERO 8013** controls in groups (up to 9) and operate them, or operate individually any number of **NERO 8013**

Zur Vereinigung von Motorsteuerungen **Nero 8013** in Gruppen (max. 9 Gruppen) und deren Steuerung, oder zur Steuerung einer unbegrenzten Menge von **Nero 8013**



Référence • Article • Artikel	Code • Code • Code
NERO 8010	1152200

Commande standardisée, pièces / Standard pack, pcs / Verpackungseinheit, Stk 1

NERO 8013L | UNITÉ DE COMMANDE | INDIVIDUAL CONTROL | MOTORSTEUERUNG

Pour une commande individuelle d'un moteur électrique faisant partie d'un système aussi bien que pour la réception et d'accomplissements des commandes du pupitre central **NERO 8010**

Designed for individual control of the electric motor in the system and to accept and fulfill the orders from the central control unit **NERO 8010**

Zur Einzelsteuerung von einem Elektroantrieb im System sowie zur Aufnahme und Ausführung der Befehle von der Steuerungszentrale **NERO 8010**



Référence • Article • Artikel	Code • Code • Code
NERO 8013L	1150730

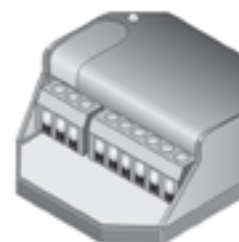
Commande standardisée, pièces / Standard pack, pcs / Verpackungseinheit, Stk 1

NERO 8013 UP | UNITÉ DE COMMANDE | INDIVIDUAL CONTROL | MOTORSTEUERUNG

Assure le contrôle individuel du moteur électrique du système ainsi que la réception et l'exécution des commandes du pupitre central **NERO 8010**

Used to operate one motor in a group and also to receive command signals from **NERO 8010** central transmitter

Dient zur Einzelsteuerung jeweils eines Elektroantriebs im System, sowie zur Aufnahme und Ausführung der Befehle von der Steuerungszentrale **NERO 8010**



Référence • Article • Artikel	Code • Code • Code
NERO 8013 UP	1150720

Commande standardisée, pièces / Standard pack, pcs / Verpackungseinheit, Stk 1

Nero 8361 UP | TRANSCODEUR | TRANSCODER | TRANSKODER

Utilisé pour la réunion du système de commande 230V **Nero** et du système de commande radio **Radio**

Designed for combination of the intelligent control system via the circuit 230V **Nero** and radio control system **Radio**

Zur Kopplung der intelligenten kabelgebundenen Steuerung 230V **Nero** und der Funksteuerung **Radio**



Référence • Article • Artikel	Code • Code • Code
Nero 8361 UP	324009100

Commande standardisée, pièces / Standard pack, pcs / Verpackungseinheit, Stk 1

NERO 8022 | RELAIS DE COMMANDE | CONTROL RELAY | MOTORSTEUERUNG

Utilisé pour commander les mécanismes connectés aux prises différentes, d'allumer/éteindre des appareils électroménagers (avec **NERO 8010**)

Allows to:

- operate devices connected to different sockets with **NERO 8010** central control
- switch on/off domestic appliances with **NERO 8010** central control

Dient

- zur An-/Abschaltung von angeschlossenen Steckdosen durch die Steuerungszentrale **NERO 8010**
- zur An-/Abschaltung von angeschlossener Haustechnik mithilfe der Steuerungszentrale **NERO 8010**



Référence • Article • Artikel	Code • Code • Code
NERO 8022	1152210

Commande standardisée, pièces / Standard pack, pcs / Verpackungseinheit, Stk 1

NERO 8015 | ADAPTATEUR DE PHASE | PHASE ADAPTER | PHASENKOPPLER

Utilisé dans le cas où le pupitre central **NERO 8010** et les unités de commandes **NERO 8013** sont connectées aux phases différentes

Used when **NERO 8010** and **NERO 8013** controls are wired to different voltage phases

Wird verwendet, wenn Steuerungszentrale und Motorsteuerungen **NERO 8013** an unterschiedliche Phasen angeschlossen sind



Référence • Article • Artikel	Code • Code • Code
NERO 8015	1152400

Commande standardisée, pièces / Standard pack, pcs / Verpackungseinheit, Stk 1

Systèmes de commande par câble

Cable systems

Antriebssteuerungen

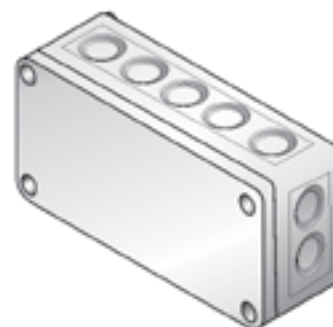
GU-4 | UNITÉ DE COMMANDE EN GROUPE | GROUP CONTROL | GRUPPENSTEUERUNG

L'unité assure le contrôle de plusieurs moteurs électriques (4 au maximum) commandés par un interrupteur central

Allows for simultaneous control of up to 4 motors by one central switch

Dient zur gleichzeitigen Steuerung von mehreren Rollladen-Elektroantrieben (bis 4) durch einen Zentralschalter

Référence • Article • Artikel	Code • Code • Code
GU-4	1150800



Commande standardisée, pièces / Standard pack, pcs / Verpackungseinheit, Stk 1

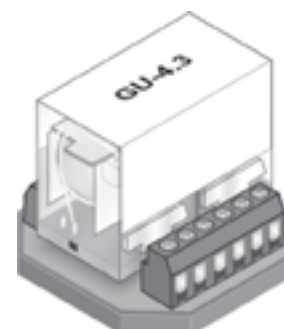
GU-4.3 | UNITÉ DE COMMANDE EN GROUPE | GROUP CONTROL | GRUPPENSTEUERUNG

Destiné à la commande simultanée de plusieurs appareils de transmission électriques pour les volets roulants (environ 3) à l'aide d'un interrupteur central et avec la possibilité de les grouper pour la commande de 6, 9 ou plus appareils de transmission électriques avec un ou plusieurs interrupteurs centraux

Designed for simultaneous control of several tubular motors (under 3) by means of one central switch. The devices can be integrated into groups to control 6, 9 and more motors by means of one or several central switches

Dient zur gleichzeitigen Steuerung von mehreren Antrieben (bis 3) durch einen Zentralschalter. Die GU-4.3 können in Gruppen zur Steuerung von sechs, neun oder mehreren Antrieben mithilfe von einer oder mehreren Steuerungszentralen zusammengeschaltet werden

Référence • Article • Artikel	Code • Code • Code
GU-4.3	1150810



Commande standardisée, pièces / Standard pack, pcs / Verpackungseinheit, Stk 1

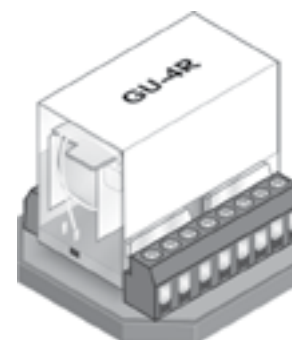
GU-4.R | UNITÉ DE COMMANDE EN GROUPE | GROUP CONTROL | GRUPPENSTEUERUNG

Destiné à la commande simultanée de plusieurs appareils de transmission électriques pour les volets roulants à l'aide d'un dispositif des mécanismes automatiques (**US-2.XX, Radio, Intro II, Nero, Nero II**) et avec la possibilité de rassembler les appareils de transmission électriques en groupe environ 4 pièces

Designed to operate simultaneously several electric operators for rollings (up to 3) by means of one automation unit (**US-2.XX, series Radio, Intro II, Nero or Nero II**) and with the possibility to combine motors into groups under 4 pcs

Dient zur gleichzeitigen Steuerung von mehreren Antrieben mit Hilfe von einem Automatikgeräts (z.B. **US-2.XX**, Baureihe **Radio, Intro II, Nero** oder **Nero II**). Bis zu 4 Elemente können je Gruppe zusammengeschaltet werden

Référence • Article • Artikel	Code • Code • Code
GU-4.R	1150820



Commande standardisée, pièces / Standard pack, pcs / Verpackungseinheit, Stk 1

Solo 8252-50 | MINUTERIE MONOVOIE | TIMER | ZEITSCHALTUHR

Destinée à la commande automatique des appareils de transmission des volets roulants, des persiennes, des rideaux en rouleau conformément au temps fixé
 Designed for automatic control motors of roller shutters according to the set time
 Zur automatischen zeitabhängigen Steuerung von Rollladen-, Jalousien- und Raffstorenantrieben entsprechend den eingestellten Zeiten



Référence • Article • Artikel	Code • Code • Code
Solo 8252-50	1152220

Commande standardisée, pièces / Standard pack, pcs / Verpackungseinheit, Stk 1

ISR-4 | INDICATEUR D'ÉTAT DES VOLETS ROULANTS | ROLLER SHUTTERS STATUS INDICATOR | ROLLADEN-POSITIONSANZEIGE

Destiné à l'examen visuel de position des volets roulants éloignés. Prévu pour l'indication de la position environ 4 volets roulants
 Designed to ascertain the roller shutter location, situated beyond the visibility area. Intended for the indication of the position for up to 4 rollings
 Zur Anzeige der Rollladenposition, wenn sich Rollläden außerhalb der Sichtweite befinden. Positionsanzeige von max. 4 Rollläden möglich



Référence • Article • Artikel	Code • Code • Code
ISR-4	1152100

Commande standardisée, pièces / Standard pack, pcs / Verpackungseinheit, Stk 1

US-2.15M | UNITÉ DE COMMANDE UNIVERSELLE | UNIVERSAL CONTROL | UNIVERSAL-STEUERUNG

Destiné à la commande de plusieurs appareils de transmission électriques pour les volets roulants d'un interrupteur central, des interrupteurs de groupe et des interrupteurs locaux; ou pour la commande d'un un appareil de transmission électrique de plusieurs interrupteurs
 Designed to control several motors for rollings shutters through a central switch, sectional and local switches; or to control one motor through several switches
 Zur Steuerung von mehreren Rollladen-Elektroantrieben von einer Zentrale, von Gruppen- und Lokalschaltern, aus sowie zur Steuerung von einem Antrieb durch mehrere Schalter



Référence • Article • Artikel	Code • Code • Code
US-2.15M	1150701

Commande standardisée, pièces / Standard pack, pcs / Verpackungseinheit, Stk 1

D-2 | SÉPARATION DE DIODES | DIODE UNCOUPLER | DIODEN-VERTEILER

À utiliser avec les unités de commande **US-2.15** et **US-2.50** lors du montage des systèmes complexes à plusieurs niveaux avec des interrupteurs centraux et locaux
 Used with **US-2.15** and **US-2.50** when complex, multi-level control systems with several central and local switches are assembled

Wird zusammen mit **US-2.15** und **US-2.50** bei Montage von komplexen mehrschichtigen Steuersystemen mit mehreren zentralen und dezentralen Schaltern verwendet



Référence • Article • Artikel	Code • Code • Code
D-2	1151700

Commande standardisée, pièces / Standard pack, pcs / Verpackungseinheit, Stk 1

**Accès contrôlé
Access control
Zugangskontrolle**

CKLOGO8213, A-5LOGO8213, CKLOGO8213-1000 | UNITÉ DE COMMANDE ÉLECTRONIQUE À ENCODAGE | ELECTRONIC CODED CONTROL | ELEKTRONISCHE CODE-STEUERUNG

Assure la commande d'un moteur électrique des volets
Used to operate one rollshutter motor
Dient zur Steuerung von je einem Rollladen-Antrieb



Référence Article Artikel	Description • Description • Beschreibung	Code Code Code
CKLOGO8213	Dispositif électronique codé avec le décodeur Electronic code device in the set with the code key Elektronische Code-Steuerung mit Transkoder	324001100
A-5LOGO8213	Dispositif électronique codé avec le lecteur du code des cartes sans contact et avec 5 cartes en plastique. Electronic code device in the set with the code key, transponders and 5 plastic cards Elektronische Code-Steuerung mit Kartenleser und 5 Karten	324002100
CKLOGO8213-1000	Dispositif électronique codé avec le décodeur (pour 1000 clés) Electronic code device in the set with the code key (for 1000 code keys) Elektronische Code-Steuerung mit Transkoder (für 1000 Schlüssel)	324003100

Commande standardisée, pièces / Standard pack, set / Verpackungseinheit, Set.....1,0

ECT | CLE ELECTRONIQUE | ELECTRONIC KEY | SCHLÜSSEL FÜR ELEKTRONISCHE ZUGANGSKONTROLLE

À utiliser avec **CKLOGO8213** ou **CKLOGO8213-1000**
Used with **CKLOGO8213** and **CKLOGO8213-1000**
Zur Verwendung mit **CKLOGO8213** und **CKLOGO8213-1000**



Référence • Article • Artikel	Code • Code • Code
ECT	1151800

Commande standardisée, pièces / Standard pack, pcs / Verpackungseinheit, Stk..... 1

Interrupteurs Switches Schalter

Inis Uno | INTERRUPTEUR | SWITCH | SCHALTER

Interrupteur fixé pour le câblage intérieur utilisé pour la motorisation d'un moteur électrique des volets roulants.

Switch with fixation for interior wiring, designed to control one electric motor

Manuelle Steuerung eines Antriebes. Unterputz



Référence • Article • Artikel	Code • Code • Code
Inis Uno	1150111

Commande standardisée, pièces / Standard pack, pcs / Verpackungseinheit, Stk 1

Inis Duo | INTERRUPTEUR | SWITCH | ZWEIFACH-SCHALTER

Interrupteur fixé pour le câblage intérieur utilisé pour la motorisation de 2 moteurs électriques des volets roulants.

Switch with fixation for interior wiring, designed for independent and simultaneous control of two electric motors

Manuelle Steuerung von zwei unabhängigen Antrieben. Unterputz



Référence • Article • Artikel	Code • Code • Code
Inis Duo	1150112

Commande standardisée, pièces / Standard pack, pcs / Verpackungseinheit, Stk 1

Inis Keo | INTERRUPTEUR | SWITCH | SCHALTER

Interrupteur fixé pour le câblage intérieur utilisé pour la motorisation d'un moteur électrique des volets roulants.

Switch with fixation for exterior wiring, designed for control of one electric motor

Manuelle Steuerung von einem Elektroantrieb. Aufputz



Référence • Article • Artikel	Code • Code • Code
Inis Keo	325003000

Commande standardisée, pièces / Standard pack, pcs / Verpackungseinheit, Stk 1

KU/1 | INTERRUPTEUR | SWITCH | WIPPSCHALTER

Interrupteur fixé/non fixé pour le câblage intérieur utilisé pour lan motorisation d'un moteur électrique des volets roulants.

Switch with/without fixation for interior wiring, designed for control of one electric motor

Manuelle Steuerung von einem Elektroantrieb mit/ohne Unterputz



Référence • Article • Artikel	Code • Code • Code
KU/1	325002000

Commande standardisée, pièces / Standard pack, pcs / Verpackungseinheit, Stk10

KU/B | BOÎTE POUR L'INSTALLATION EN APPLIQUE | BOX FOR EXTERNAL ASSEMBLY | AUFPUTZ-SCHALTERRAHMEN

pour l'installation en applique de l'interrupteur **KU/1**

Switch for exterior assembly **KU/1**

Für Aufputzmontage des Schalters **KU/1**



Référence • Article • Artikel	Code • Code • Code
KU/B	325001000

Commande standardisée, pièces / Standard pack, pcs / Verpackungseinheit, Stk48

DAP/2 | INTERRUPTEUR | SWITCH | DREHSCHALTER

Rotatif, pour câblage extérieur, avec/sans fixation à deux contacts

Rotary switch, surface mounted, without fixation, 2-contact

Drehschalter, Aufputz, ohne Raststellung, 2-polig



Référence • Article • Artikel	Code • Code • Code
DAP/2	1150203

Commande standardisée, pièces / Standard pack, pcs / Verpackungseinheit, Stk10

DUP/2 | INTERRUPTEUR | SWITCH | DREHSCHALTER

Rotatif, pour câblage intérieur, avec/sans fixation à deux contacts

Rotary switch, flush mounted, without fixation, 2-contact

Drehschalter, Unterputz, ohne Raststellung, 2-polig

Référence • Article • Artikel	Code • Code • Code
DUP/2	1150103



Commande standardisée, pièces / Standard pack, pcs / Verpackungseinheit, Stk10

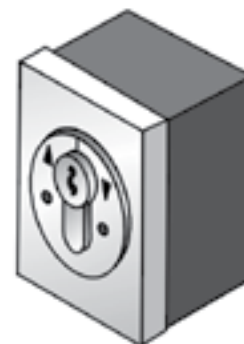
SAPF | INTERRUPTEUR | SWITCH | SCHLÜSSELTASTER

À clé, pour câblage extérieur

Key lock switch, surface mounted

Schlüsselschalter / -taster, Aufputz

Référence • Article • Artikel	Description • Description • Beschreibung	Code • Code • Code
SAPF	avec/sans fixation with/without fixation mit/ohne Raststellung	1150601



Commande standardisée, pièces / Standard pack, pcs / Verpackungseinheit, Stk10

SUPF | INTERRUPTEUR | SWITCH | SCHLÜSSELTASTER

À clé, pour câblage intérieur

Key lock switch, flush mounted

Schlüsselschalter / -taster, Unterputz

Référence • Article • Artikel	Description • Description • Beschreibung	Code • Code • Code
SUPF	avec/sans fixation with/without fixation mit/ohne Raststellung	1150501



Commande standardisée, pièces / Standard pack, pcs / Verpackungseinheit, Stk10

Système de sécurité "Barre palpeuse"
Safety edge system
Sicherheitssystem "Optoelektronische Endleiste"

SCHÉMA STANDARD DU SYSTÈME DE SÉCURITÉ "BARRE PALPEUSE" AVEC LA BOÎTE DE CONTRÔLE AXROLL | STANDARD SCHEME OF THE CABLE SAFETY EDGE SYSTEM WITH AXROLL CONTROL UNIT | SCHEMA DES DRAHTGEBUNDENEN SICHERHEITSSYSTEMS "OPTOELEKTRONISCHE ENDLEISTE" MIT AXROLL-ROLLTORSTEUERUNG

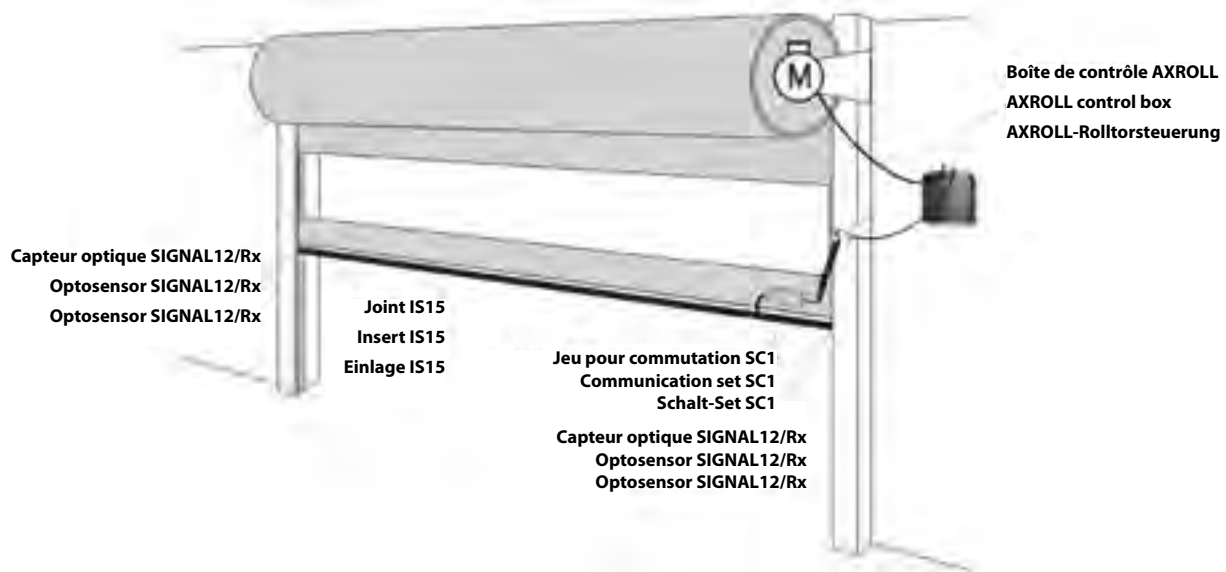


SCHÉMA STANDARD DU SYSTÈME DE SÉCURITÉ "BARRE PALPEUSE" AVEC LA BOÎTE DE CONTRÔLE | STANDARD SCHEME OF THE CABLE SAFETY EDGE SYSTEM WITH RADIO 8113-IP CONTROL UNIT | SCHEMA DES DRAHTGEBUNDENEN SICHERHEITSSYSTEMS "OPTOELEKTRONISCHE ENDLEISTE" MIT RADIO 8113-IP-STEUERUNG

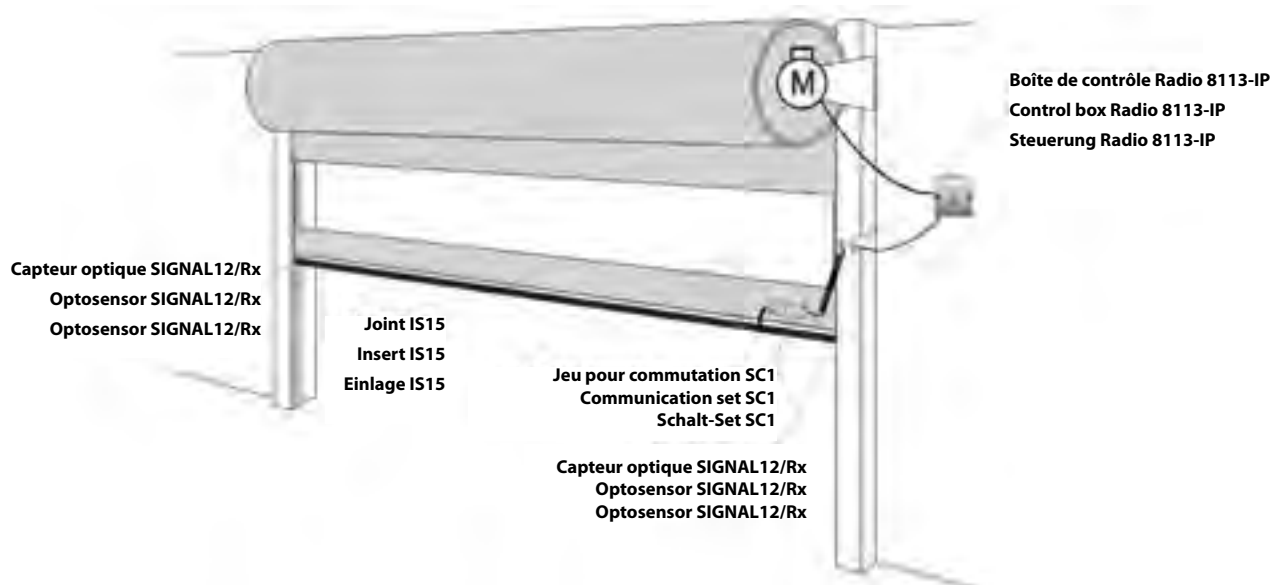
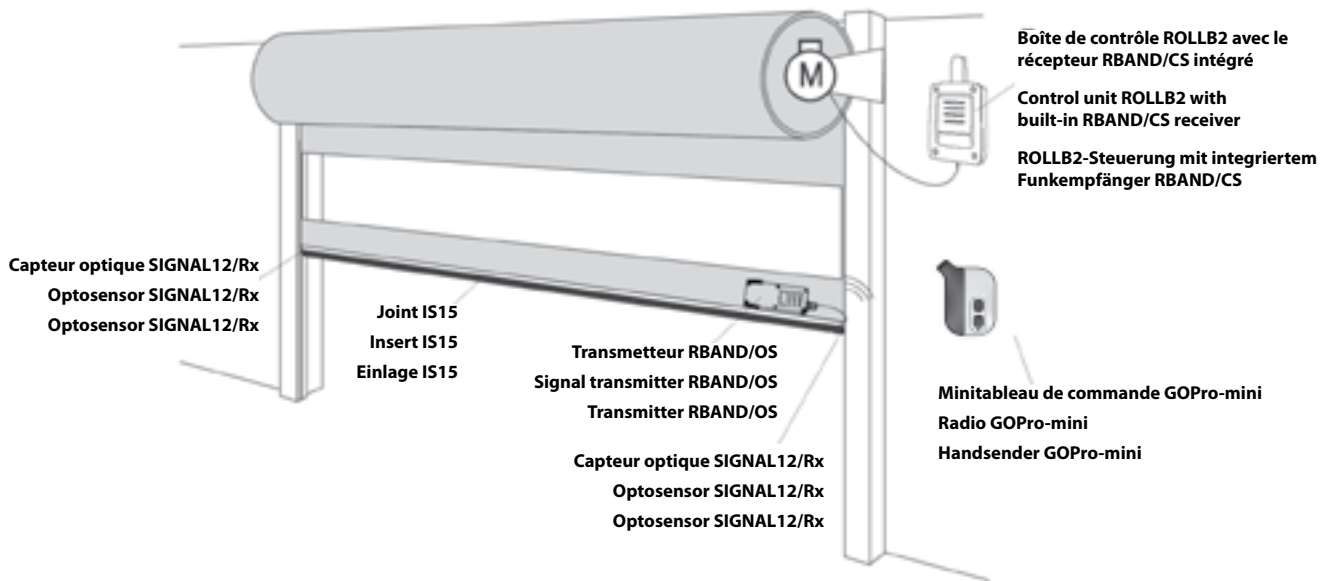


SCHÉMA STANDARD DU SYSTÈME DE SÉCURITÉ "BARRE PALPEUSE" AVEC LA BOÎTE DE CONTRÔLE ROLLB2 | STANDARD SCHEME OF THE WIRELESS SAFETY EDGE SYSTEM WITH ROLLB2 CONTROL UNIT | SCHEMA DES DRAHTLOSEN SICHERHEITSSYSTEMS "OPTOELEKTRONISCHE ENDLEISTE" MIT ROLLB2-STEUERUNG



SIGNAL12 | CAPTEURS OPTIQUES | OPTOSENSORS | OPTOSENSORE

Dispositifs de sécurité utilisés pour l'arrêt du tablier des volets roulants au moment où il se heurte avec un obstacle. Le jeu inclut un récepteur et un transmetteur installés dans le joint **IS15**. Dès que le joint **IS15** devient déformé, un rayon optique devient interrompu et donne le signal d'arrêter le mouvement du tablier à la boîte de contrôle.

The safety devices are designed to stop the curtain movement in case of any obstacle in the opening. They consist of the transmitter and receiver installed in insert **IS15**. When insert **IS15** is deformed, the light beam is broken and gives a signal to the control unit to stop and/or roll up the curtain.

Sicherheitsvorrichtungen, die zur Sperrung der Panzerbewegung beim Geraten eines Hindernisses in den Behang dienen. Sie bestehen aus Funkempfänger und Transmitter, die in die **IS15**-Einlage eingebaut werden. Bei der Formveränderung der **IS15**-Einlage wird der optische Strahl abgebrochen und ein Signal an die Steuerung übermittelt. Die Steuerung übermittelt einen Stop- und/oder Umkehrbewegungsbehehl.



Référence • Article • Artikel	Code • Code • Code
SIGNAL12	316006000

Commande standardisée, pièces / Standard pack, set / Verpackungseinheit, Set.....1,0

SC1 | JEU POUR COMMUTATION | COMMUNICATION SET | SCHALT-SET

Sert à transmettre le signal des capteurs optiques **SIGNAL12** à la boîte de commande **Axroll** et **Radio 8113-IP**. Consiste d'une boîte de commutation, d'un câble spiral, adaptateur pour la boîte de commutation, support et kit de montage

Designed to transfer the signal from optosensors **SIGNAL12** to control unit **Axroll** or **Radio 8113-IP**. It consists of the communication box, spiral cable, adapter for the switching box, bracket and assembly set

Dient zur Signalübertragung von Optosensoren **SIGNAL12** an **Axroll** - oder **Radio 8113-IP** -Steuerung. Besteht aus Vermittlungskasten, Spiralkabel, Adapter für Vermittlungskasten, Tragkonsole und Montage-Set



Référence • Article • Artikel	Code • Code • Code
SC1	316007000

Commande standardisée, pièces / Standard pack, set / Verpackungseinheit, Set.....1,0

IS15 | JOINT | INSERT | EINLAGE

à installer dans les lames finales **ES/77, ESU/77, ES7, ESR60, ESR60R** et **ESU88** et capteurs optiques **SIGNAL12**

To be installed into end slats **ES/77, ESU/77, ES7, ESR60, ESR60R** and **ESU88** and optosensors **SIGNAL12**

Zum Einbau in Schlussleisten **ES/77, ESU/77, ES7, ESR60, ESR60R** und **ESU88** und Optosensoren **SIGNAL12**



Référence • Article • Artikel	Code • Code • Code
IS15	313020000

Commande standardisée, m / Standard pack, m / Verpackungseinheit, m.....20,0

OS/P | BUTÉE | STOPPER | STÜTZE

Sert à protéger des capteurs optiques et doit être installé des deux côtés dans la lame finale

Designed to protect the optosensors and are installed on both sides into the end slat

Dient zum Schutz der Optosensoren vor Beschädigung. Wird in die Schlussleiste von beiden Seiten montiert



Référence • Article • Artikel	Code • Code • Code
OS/P	313021000

Commande standardisée, pièces / Standard pack, pcs / Verpackungseinheit, Stk.....10

ROLLB2 | BOÎTE DE CONTRÔLE | CONTROL UNIT | STEUERUNG

Utilisé pour une motorisation à distance des moteurs électriques des volets roulants avec la possibilité de programmer jusqu'à 15 pupitres **GOPro-mini** dans la mémoire du dispositif. Un récepteur radio intégré dans la boîte permet de recevoir un signal des capteurs optiques **SIGNAL12** à l'aide du transmetteur radio **RBAND/OS**

Designed for remote control of the electric motor with possibility to program up to 15 radio **GOPro-mini** in the device memory. The radio is built in the control unit and allows to receive the signals from optosensor **SIGNAL 12** via radio transmitter **RBAND/OS**

Dient zur Funksteuerung von Elektroantrieben. Einprogrammierung von max. 15 **GOPro mini**-Handsendern möglich. Eingebauter **RBAND/OS**-Funkempfänger ermöglicht den Empfang von Signalen von **SIGNAL12**-Optosensoren



Référence • Article • Artikel	Code • Code • Code
ROLLB2	316001000

Commande standardisée, pièces / Standard pack, pcs / Verpackungseinheit, Stk 1

RBAND/OS | TRANSMETTEUR DU SIGNAL DE LA BARRE PALPEUSE | SIGNAL TRANSMITTER | TRANSMITTER

Installé dans la lame finale et sert à transmettre un signal des capteurs optiques **SIGNAL12** à la boîte de contrôle **ROLLB2**

Signal transmitter is installed in the end slat and designed to transfer signals from optosensors **SIGNAL12** to control unit **ROLLB2**

Wird in die Schlussleiste eingebaut. Dient zur Übertragung des Funksignals von **SIGNAL12**-Optosensoren an **ROLLB2**-Steuerung



Référence • Article • Artikel	Code • Code • Code
RBAND/OS	316003000

Commande standardisée, pièces / Standard pack, pcs / Verpackungseinheit, Stk 1

GOPRO-MINI | MINICOMMANDE | MINI-RADIO | MINI-HANDESENDER

à 2 voies, utilisé pour la transmission des commandes à la boîte de contrôle **ROLLB2**

2 channel, designed to transfer orders to control unit **ROLLB2**

2-Kanal, dient zur Übertragung der Befehle an **ROLLB2**-Steuerung



Référence • Article • Artikel	Code • Code • Code
GOPro-mini	316002000

Commande standardisée, pièces / Standard pack, pcs / Verpackungseinheit, Stk 1



ALUTECH
ROLLER SHUTTER SYSTEMS

10

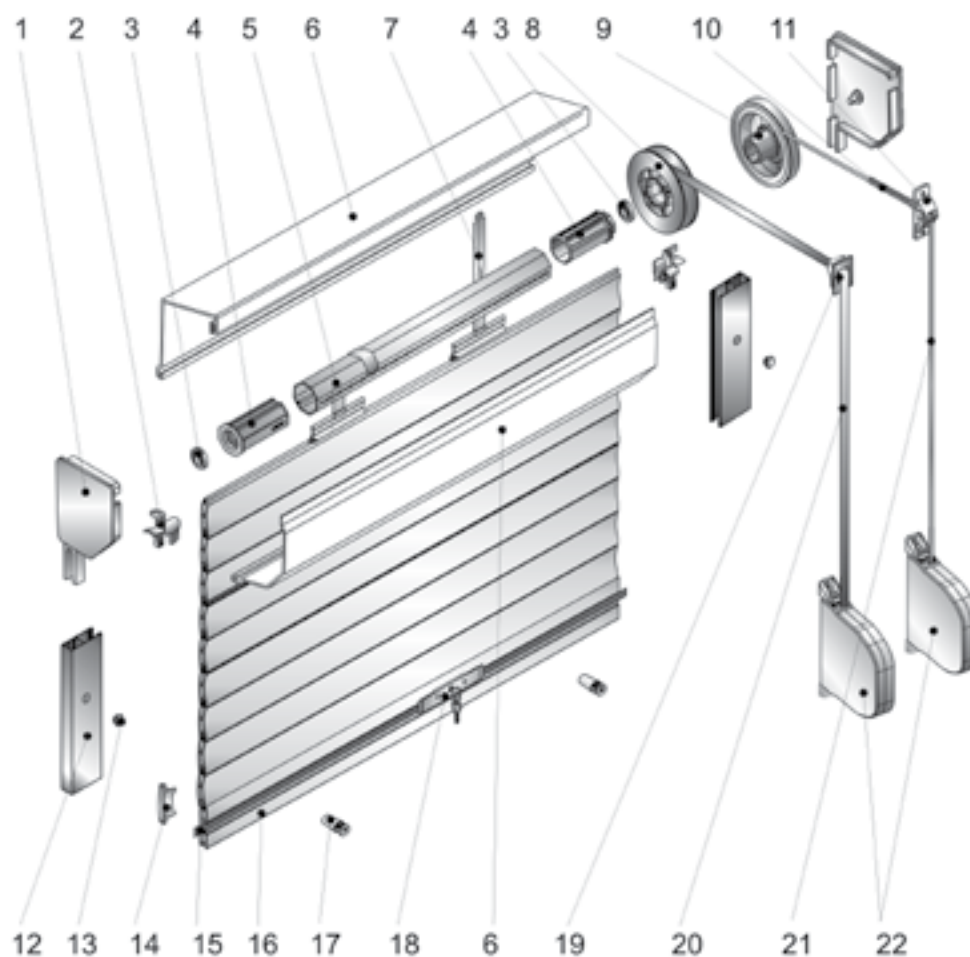
[Fr] COMMANDES MANUELLES

[En] MANUAL CONTROL UNITS

[De] MANUELLE STEUERUNG

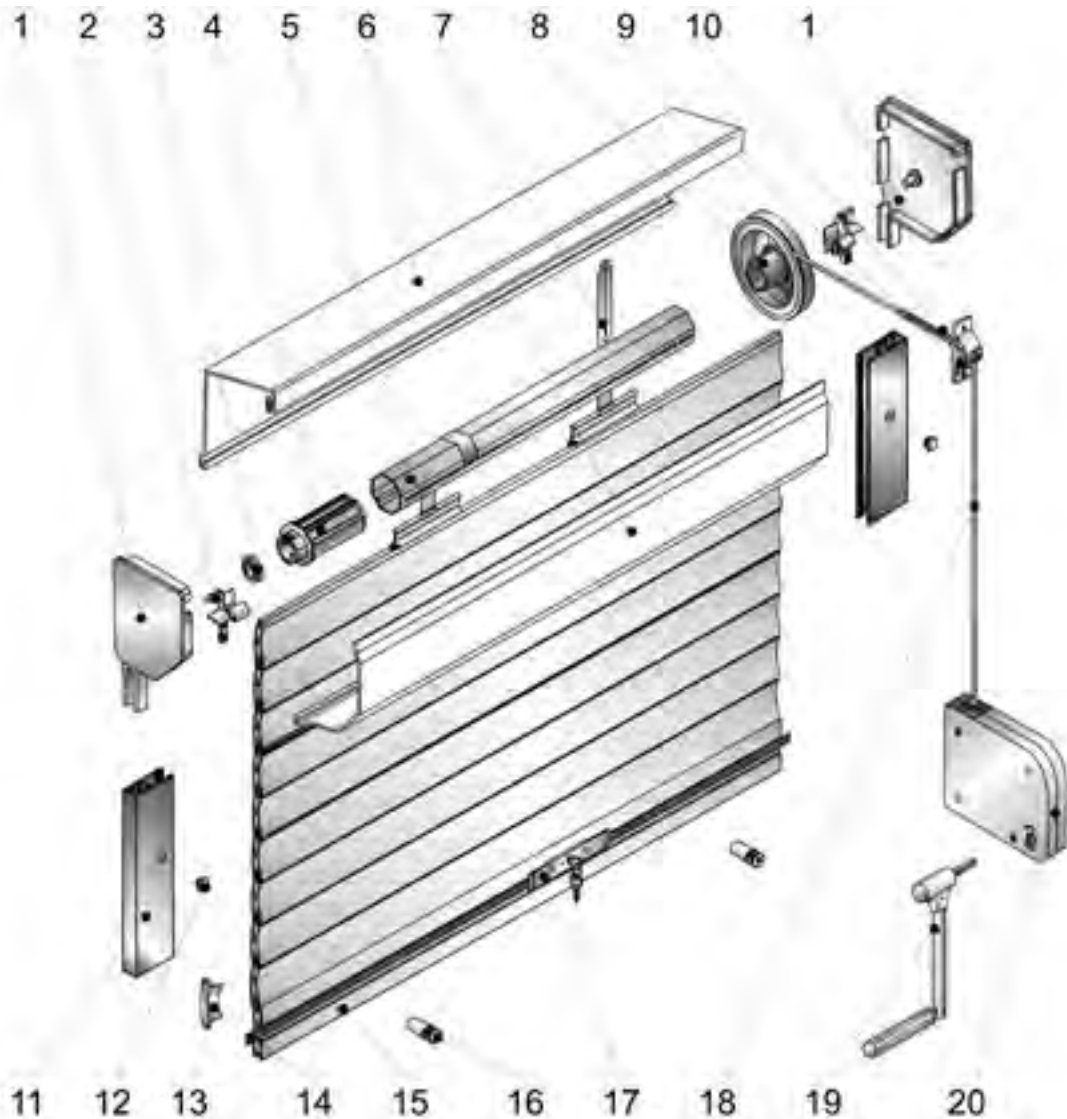
Options d'assemblage des volets roulants Assembly options Ausstattungsvarianten

VOLET À COMMANDE MANUELLE PAR SANGLE OU PAR CORDON | HAND STRAP AND ROPE OPERATION | ROLLADEN MIT MANUELLEM GURT- ODER SCHNURANTRIEB



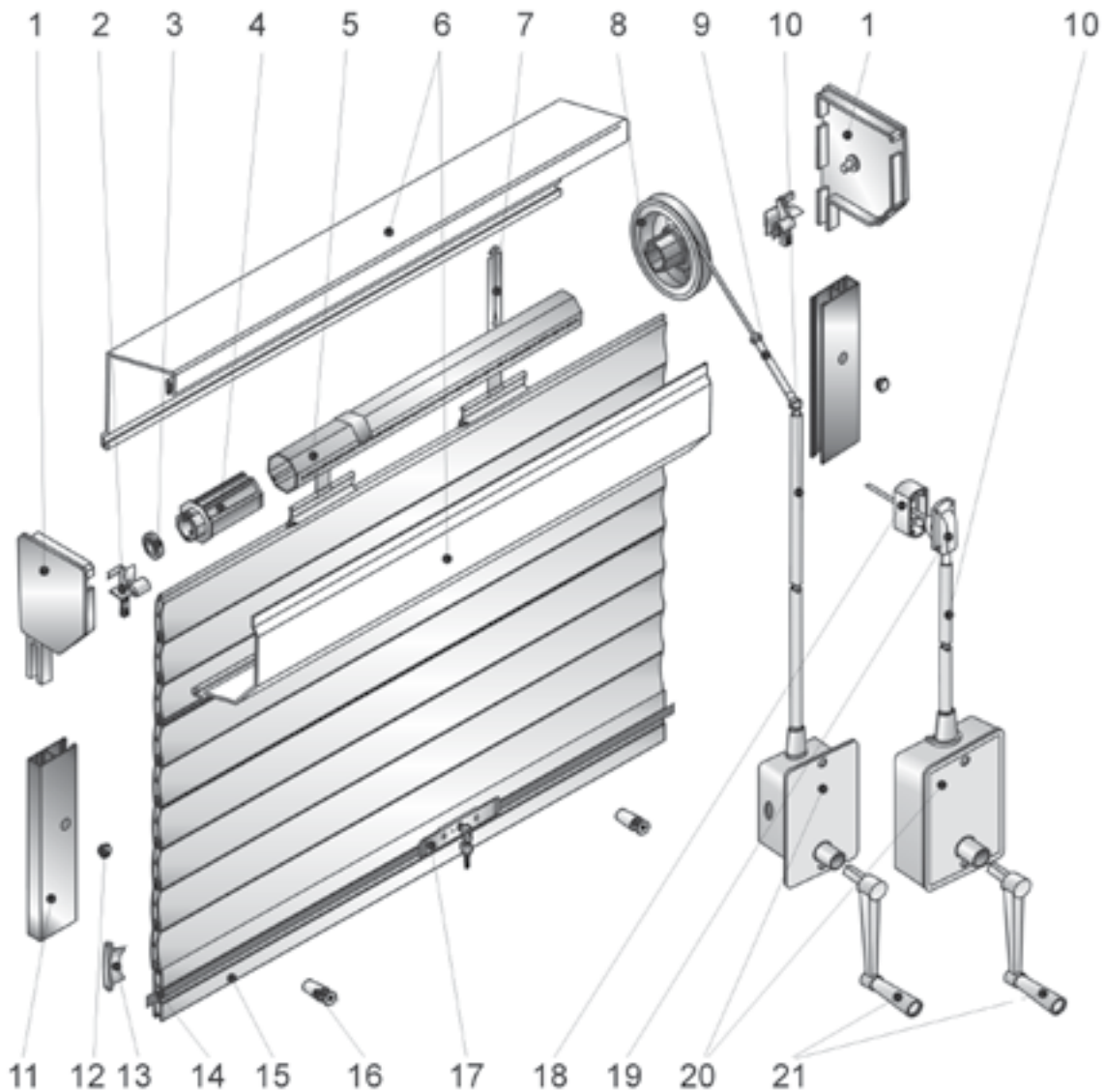
1	Joue latérale End cap Blendenkappe	07 partie part Teil	7	Attache du tablier Retainer spring Stahlbandaufhänger	08 partie part Teil	13	Obtuteur Button plug Abdeckkappe	11 partie part Teil	19	Guide pour sangle Strap guide Gurtleitrolle	10 partie part Teil
2	Tulipe Entry guide Einlaufstutzen	11 partie part Teil	8	Poulie Strap pulley Gurtscheibe	10 partie part Teil	14	Bouchon latéral Side lock Arretierstück	01 partie part Teil	20	Sangle Strap Gurt	10 partie part Teil
3	Palier Ball bearing Kugellager	08 partie part Teil	9	Poulie Rope pulley Gurtscheibe	10 partie part Teil	15	Verrou Locking bar Schubriegel	11 partie part Teil	21	Cordon Rope Schnur	10 partie part Teil
4	Embout universel Universal cap Universalkapsel	08 partie part Teil	10	Ressort de sécurité Protective spring Spiralschutzfeder	10 partie part Teil	16	Lame finale End slat Schlussleiste	05 partie part Teil	22	Enrouleur universel Universal coiler Universalwickler	10 partie part Teil
5	Tube octogonal Octagonal roll tube Achtkantwelle	08 partie part Teil	11	Guide pour cordon Rope guide Seilleitrolle	10 partie part Teil	17	Arrêt Stopper Anschlagstopfen	05 partie part Teil			
6	Caisson Shutter box Blendenkasten	07 partie part Teil	12	Coulisse Guide rail Führungsschiene	06 partie part Teil	18	Serrure à verrou Key lock Stangenschloss	11 partie part Teil			

VOLET À COMMANDE MANUELLE PAR CORDON | HAND ROPE OPERATION | ROLLADEN MIT MANUELLEM SCHNURANTRIEB



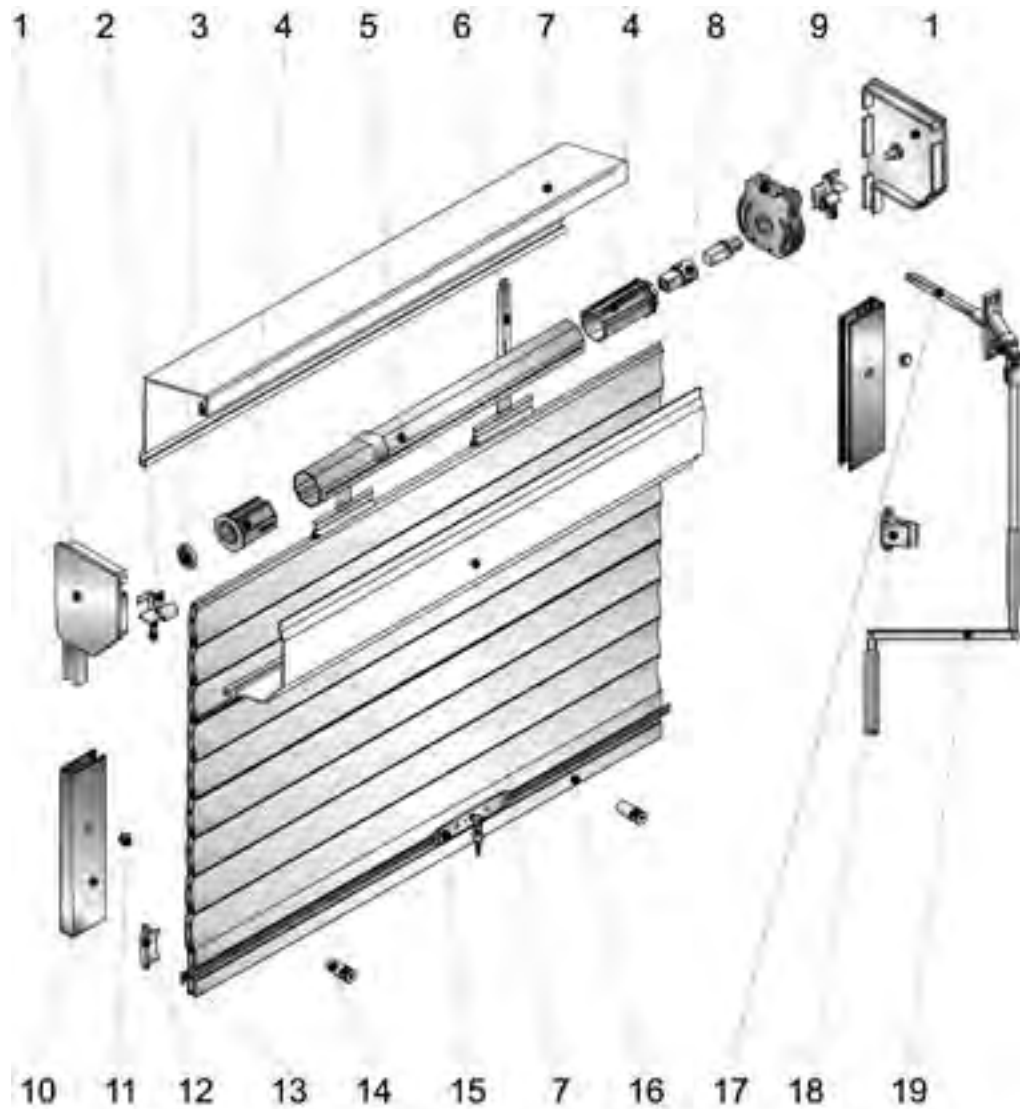
1	Joue latérale End cap Blendenkappe	07 partie part Teil	7	Attache du tablier Retainer spring Stahlbandaufhänger	08 partie part Teil	13	Bouchon latéral Side lock Arretierstück	01 partie part Teil	19	Manivelle Handle Kurbel	10 partie part Teil
2	Tulipe Entry guide Einlaufstutzen	11 partie part Teil	8	Poulie Rope pulley Gurtscheibe	10 partie part Teil	14	Verrou Locking bar Schubriegel	11 partie part Teil	20	Enrouleur à réducteur pour cordon Rope gear coiler Schnurwickler	10 partie part Teil
3	Palier Ball bearing Kugellager	08 partie part Teil	9	Guide pour cordon Rope guide Seilleitrolle	10 partie part Teil	15	Lame finale End slat Schlussleiste	05 partie part Teil			
4	Embout universel Universal cap Universalkapsel	08 partie part Teil	10	Ressort de sécurité Protective spring Spiralschutzfeder	10 partie part Teil	16	Arrêt Stopper Anschlagstopfen	05 partie part Teil			
5	Tube octogonal Octagonal roll tube Achtkantwelle	08 partie part Teil	11	Coulisse Guide rail Führungsschiene	06 partie part Teil	17	Serrure à verrou Key lock Stangenschloss	11 partie part Teil			
6	Caisson Shutter box Blendenkasten	07 partie part Teil	12	Obturateur Button plug Abdeckkappe	11 partie part Teil	18	Cordon Rope Schnur	10 partie part Teil			

VOLET À COMMANDE MANUELLE PAR CÂBLE | HAND CORD OPERATION | ROLLADEN MIT MANUELLEM LEITSEILANTRIEB



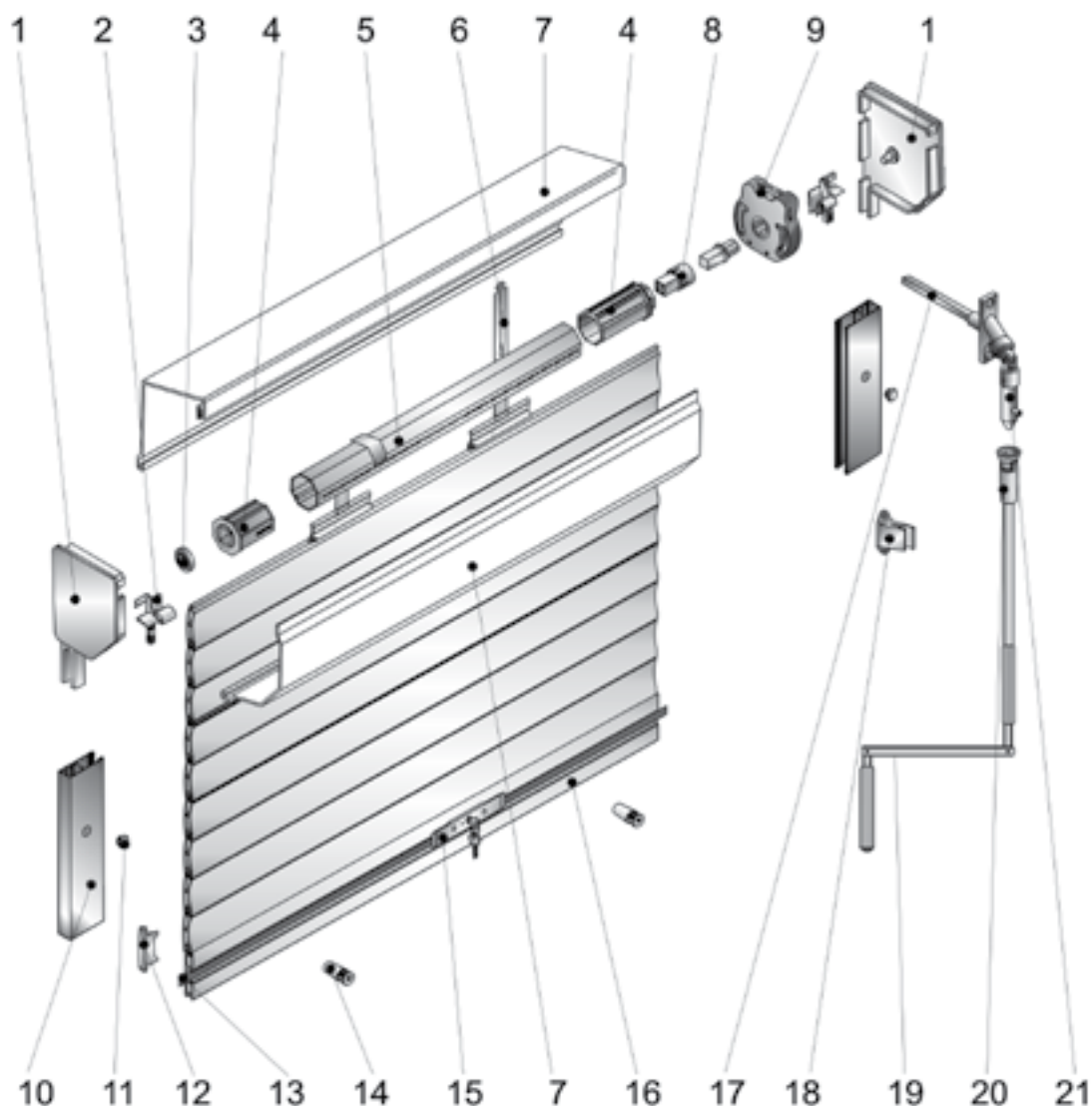
1	Joue latérale End cap Blendenkappe	07 partie part Teil	7	Attache du tablier Retainer spring Stahlbandaufhänger	08 partie part Teil	13	Bouchon latéral Side lock Arretierstück	01 partie part Teil	19	Guide pour câble Cord guide Seilleitrolle	10 partie part Teil
2	Tulipe Entry guide Einlaufstutzen	11 partie part Teil	8	Poulie Cord pulley Gurtscheibe	10 partie part Teil	14	Verrou Locking bar Schubriegel	11 partie part Teil	20	Enrouleur à réducteur pour câble Cord gear coiler Seilwickler	10 partie part Teil
3	Palier Ball bearing Kugellager	08 partie part Teil	9	Guide pour câble Cord guide Seilleitrolle	10 partie part Teil	15	Lame finale End slat Schlussleiste	05 partie part Teil	21	Manivelle Handle Kurbel	10 partie part Teil
4	Embout universel Universal cap Universalkapsel	08 partie part Teil	10	Tube de sécurité Protective tube Schutzrohr	10 partie part Teil	16	Arrêt Stopper Anschlagstopfen	05 partie part Teil			
5	Tube octogonal Octagonal roll tube Achtkantwelle	08 partie part Teil	11	Coulisse Guide rail Führungsschiene	06 partie part Teil	17	Serrure à verrou Key lock Stangenschloss	11 partie part Teil			
6	Caisson Shutter box Blendenkasten	07 partie part Teil	12	Obtuteur Button plug Abdeckkappe	11 partie part Teil	18	Boîte Housing Gehäuse	10 partie part Teil			

VOLET À COMMANDE MANUELLE PAR TREUIL | HAND CRANK OPERATION | ROLLADEN MIT MANUELLEM KURBELANTRIEB



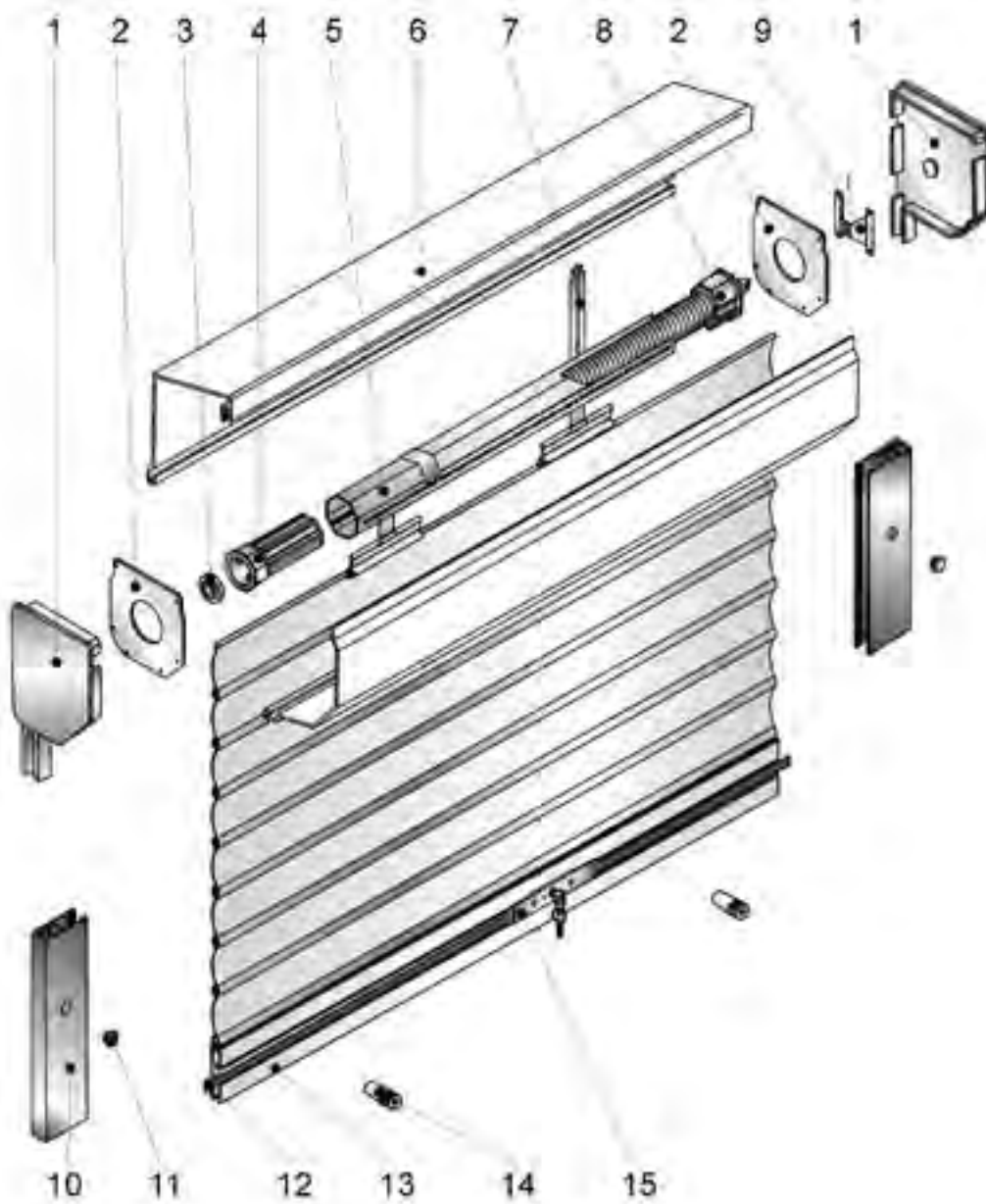
1	Joue latérale End cap Blendenkappe	07 partie part Teil	6	Attache du tablier Retainer spring Stahlbandaufhänger	08 partie part Teil	11	Obturateur Button plug Abdeckkappe	11 partie part Teil	16	Lame finale End slat Schlussleiste	05 partie part Teil
2	Tulipe Entry guide Einlaufstutzen	11 partie part Teil	7	Caisson Shutter box Blendenkasten	07 partie part Teil	12	Bouchon latéral Side lock Arretierstück	01 partie part Teil	17	Joint de cardan Cardan joint Kurbelgestänge	10 partie part Teil
3	Palier Ball bearing Kugellager	08 partie part Teil	8	Joint Adapter Walzenkappe	08 partie part Teil	13	Verrou Locking bar Schubriegel	11 partie part Teil	18	Clips de manivelle Spring clamp Klemme für Kurbel	10 partie part Teil
4	Embout universel Universal cap Universalkapsel	08 partie part Teil	9	Réducteur Gear Getriebe	08 partie part Teil	14	Arrêt Stopper Anschlagstopfen	05 partie part Teil	19	Treuil Crank rod Kurbel	10 partie part Teil
5	Tube octogonal Octagonal roll tube Achtkantwelle	08 partie part Teil	10	Coulisse Guide rail Führungsschiene	06 partie part Teil	15	Serrure à verrou Key lock Stangenschloss	11 partie part Teil			

**VOLET À COMMANDE MANUELLE PAR TREUIL ENLEVABLE | ROLLER SHUTTER REMOVABLE HAND CRANK OPERATION |
ROLLADEN MIT MANUELLEM KURBELANTRIEB**



1	Joue latérale End cap Blendenkappe	07 partie part Teil	7	Caisson Shutter box Blendenkasten	07 partie part Teil	13	Verrou Locking bar Schubriegel	11 partie part Teil	19	Treuil Crank rod Kurbel	10 partie part Teil
2	Tulipe Entry guide Einlaufstutzen	11 partie part Teil	8	Joint Adapter Walzenkappe	08 partie part Teil	14	Arrêt Stopper Anschlagstopfen	05 partie part Teil	20	Moyeu de commande Fast clutch Hülsenkupplung	10 partie part Teil
3	Palier Ball bearing Kugellager	08 partie part Teil	9	Réducteur Gear Getriebe	08 partie part Teil	15	Serrure à verrou Key lock Stangenschloss	11 partie part Teil	21	Broche de commande Driving pivot Kupplungsstift	10 partie part Teil
4	Embout universel Universal cap Universalkapsel	08 partie part Teil	10	Coulisse Guide rail Führungsschiene	06 partie part Teil	16	Lame finale End slat Schlussleiste	05 partie part Teil			
5	Tube octogonal Octagonal roll tube Achtkantwelle	08 partie part Teil	11	Obturateur Button plug Abdeckkappe	11 partie part Teil	17	Joint de cardan Cardan joint Kurbelgestänge	10 partie part Teil			
6	Attache du tablier Retainer spring Stahlbandaufhänger	08 partie part Teil	12	Bouchon latéral Side lock Arretierstück	01 partie part Teil	18	Clips de manivelle Spring clamp Klemme für Kurbel	10 partie part Teil			

**VOLET À TABLIER COMPOSÉ DES LAMES AER42 (MONTAGE STANDARD) | AER42 CURTAIN ASSEMBLY (STANDARD) |
AUSSTATTUNGSVARIANTE DES ROLLADENS AUS PROFIL AER42 (STANDARDMONTAGE)**



1	Joue latérale End cap Blendenkappe	07 partie part Teil	5	Tube octogonal Octagonal roll tube Achtkantwelle	08 partie part Teil	9	Planche de fixation Support plate Lagerplatte	10 partie part Teil	13	Lame finale End slat Schlussleiste	05 partie part Teil
2	Contre-plaque Safety plate Abweisblech	07 partie part Teil	6	Caisson Shutter box Blendenkasten	07 partie part Teil	10	Coulisse Guide rail Führungsschiene	06 partie part Teil	14	Arrêt Stopper Anschlagstopfen	05 partie part Teil
3	Palier Ball bearing Kugellager	08 partie part Teil	7	Attache du tablier Retainer spring Stahlbandaufhänger	08 partie part Teil	11	Obturateur Button plug Abdeckkappe	11 partie part Teil	15	Serrure à verrou Key lock Stangenschloss	11 partie part Teil
4	Embout universel Universal cap Universalkapsel	08 partie part Teil	8	Ressorts de tirage direct Assist and push-up spring Federantrieb	10 partie part Teil	12	Verrou Locking bar Schubriegel	11 partie part Teil			

Commandes manuelles par sangle, par cordon et par câble Strap, rope and cord operators Gurt-, Schnur- und Leitseilantriebe

UC | ENROULEUR UNIVERSEL | UNIVERSAL COILER | UNIVERSALWICKLER

À utiliser avec le cordon **BP4** ou la sangle **T14x1,2**. Poids soulevé — 15 kg
Used with rope **BP4** or with strap **T14x1,2**. 15 kg capacity
Einsatz mit Schnur **BP4** oder mit Gurt **T14x1,2**. Tragfähigkeit — 15 kg Panzergewicht

Coloris	Colour	Farbe	Code • Code • Code
blanc	white	weiß	1090111
brun	brown	braun	1090112

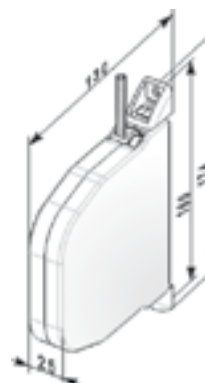


Commande standardisée, pièces / Standard pack, pcs / Verpackungseinheit, Stk30

UCR | ENROULEUR À CORDON | ROPE COILER | SCHWENKBARER SCHNURWICKLER

Fourni avec le cordon **BP4**. Poids soulevé — 15 kg
Completed with rope **BP4**. 15 kg capacity
Komplett mit Schnur **BP4**. Tragfähigkeit — 15 kg Panzergewicht

Coloris	Colour	Farbe	Code • Code • Code
blanc	white	weiß	1090121
brun	brown	braun	1090122



Commande standardisée, pièces / Standard pack, pcs / Verpackungseinheit, Stk30

UCS | ENROULEUR À SANGLE | STRAP COILER | SCHWENKBARER GURTWICKLER

Fourni avec la sangle **T14x1,2**. Poids soulevé — 15 kg
Completed with strap **T14x1,2**. 15 kg capacity
Komplett mit Gurt **T14x1,2**. Tragfähigkeit — 15 kg Panzergewicht

Coloris	Colour	Farbe	Code • Code • Code
blanc	white	weiß	1090131
brun	brown	braun	1090132



Commande standardisée, pièces / Standard pack, pcs / Verpackungseinheit, Stk30

SBG | ENROULEUR POUR SANGLE À RÉDUCTEUR | ROPE GEAR COILER | SCHNURWICKLER

Jusqu'à 20 kg de poids soulevé. Fourni avec le cordon de Ø4,3 mm de 5 m. Rapport de transmission 1:3

20 kg capacity, completed with Ø4,3 mm rope of 5 m length. Gear ratio: 1:3

Tragfähigkeit — 20 kg Panzergewicht, Komplet mit Schnur Ø4,3 mm, Länge 5 m. Übersetzungsverhältnis 1:3

Coloris	Colour	Farbe	Code • Code • Code
blanc	white	weiß	1090701
brun	brown	braun	1090702



Commande standardisée, pièces / Standard pack, pcs / Verpackungseinheit, Stk20

SBG/0 | ENROULEUR POUR SANGLE À RÉDUCTEUR | ROPE GEAR COILER | SCHNURWICKLER

Jusqu'à 20 kg de poids soulevé. Fourni sans cordon. Rapport de transmission 1:3

20 kg capacity, without rope. Gear ratio: 1:3

Tragfähigkeit — 20 kg Panzergewicht, ohne Schnur. Übersetzungsverhältnis 1:3

Coloris	Colour	Farbe	Code • Code • Code
blanc	white	weiß	1090711
brun	brown	braun	1090712



Commande standardisée, pièces / Standard pack, pcs / Verpackungseinheit, Stk20

KUR | MANIVELLE | HANDLE | KURBEL

Fabriquée en aluminium, moyeu blanc, à utiliser avec **SBG**, **SBG/0**

Aluminium, bush colour - white. Used with **SBG** and **SBG/0**

Aluminium, Farbe - weiß. Einsatz mit **SBG** und **SBG/0**

Référence • Article • Artikel	Code • Code • Code
KUR	1090800



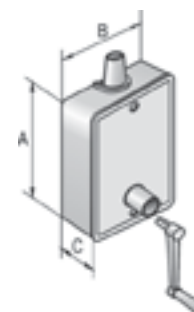
Commande standardisée, pièces / Standard pack, pcs / Verpackungseinheit, Stk20

SBR/40, SBR/80 | ENROULEUR POUR CÂBLE A RÉDUCTEUR | CORD GEAR COILER | SEILWICKLER

Boîte en matière plastique, enrouleur muni d'une fin de course. À installer à l'extérieur.

Plastic body, with end-position limiter. For exterior installation

Kunststoffgehäuse, mit Rasterung in der Endposition. Für Aufputzmontage



Référence • Article • Artikel	A, mm	B, mm	C, mm	Jusqu'à, kg • Capacity, kg • Tragfähigkeit, kg	Code • Code • Code
SBR/40	115	85,5	42	40	1091530
SBR/80	143,5	104	52	80	1091510

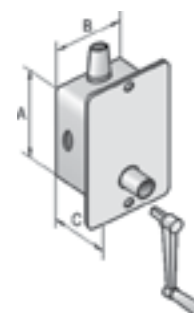
Commande standardisée, pièces / Standard pack, pcs / Verpackungseinheit, Stk10

SBR/I40, SBR/I80 | ENROULEUR POUR CÂBLE A RÉDUCTEUR | CORD GEAR COILER | SEILWICKLER

Boîte en matière plastique, enrouleur muni d'une fin de course. À installer à l'extérieur.

Plastic body, with end-position limiter. For interior installation

Kunststoffgehäuse, mit Rasterung in der Endposition. Für Unterputzmontage



Référence • Article • Artikel	A, mm	B, mm	C, mm	Jusqu'à, kg • Capacity, kg • Tragfähigkeit, kg	Code • Code • Code
SBR/I40	111	73	38	40	1091540
SBR/I80	138,5	98	46,5	80	1091520

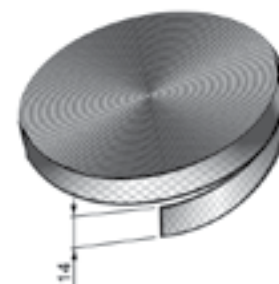
Commande standardisée, pièces / Standard pack, pcs / Verpackungseinheit, Stk10

T14x1,2 | SANGLE | STRAP | GURT

Pour l'enrouleur **UC, UCS**

For strap coiler **UC, UCS**

Für Wickler **UC, UCS**



Coloris	Colour	Farbe	Code • Code • Code
gris	grey	grau	1090301
brun	brown	braun	1090302

Commande standardisée, m / Standard pack, m / Verpackungseinheit, m50,0

BP4 | CORDON | ROPE | SCHNUR

Ø4,3 mm, à utiliser avec les enrouleurs **UC, UCR**

Ø4,3 mm, applied with **UC, UCR** rope coilers

Ø4,3 mm, für schwenkbaren Schnurwickler **UC, UCR**

Coloris	Colour	Farbe	Code • Code • Code
blanc	white	weiß	1090621
brun	brown	braun	1090622
noir et blanc	black-and-white	schwarz und weiss	1090625



Commande standardisée, m / Standard pack, m / Verpackungseinheit, m 100,0

RP3 | CÂBLE | CORD | DRAHTSEIL

Ø3 mm. Fabriqué en acier. À utiliser avec les enrouleurs **SBR/80, SBR/180** et **SBR/40, SBRR/140**

Ø3 mm, steel, applied with **SBR/80, SBR/180, SBR/40** and **SBR/140** cord gear coiler

Ø3mm, Stahl, für Seilwickler **SBR/80, SBR/180, SBR/40** und **SBR/140**

Référence • Article • Artikel	Code • Code • Code
RP3	1091800



Commande standardisée, m / Standard pack, m / Verpackungseinheit, m 200,0

ANG | CORNIÈRE DE FIXATION | FIXING ANGLE | BEFESTIGUNGSWINKEL

Fabriquée en acier, utilisée pour fixer les enrouleurs **SBG** et **SBG/0**

Steel, for fixing **SBG** and **SBG/0** rope coilers

Stahl, zur Befestigung des Gehäuses **SBG** und **SBG/0**

Coloris	Colour	Farbe	Code • Code • Code
blanc	white	weiß	1090901
brun	brown	braun	1090902



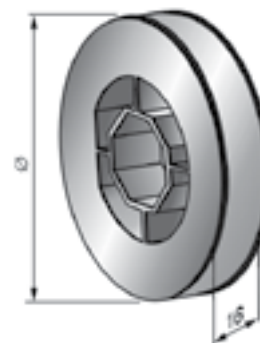
Commande standardisée, pièces / Standard pack, pcs / Verpackungseinheit, Stk 1

TP125, TP140, TP170 | POULIE | PULLEY | GURT-/SCHNURSCHEIBE

Pour le sangle et le cordon, à utiliser avec les embouts **KU40** et **KU60**, compatible avec les commandes **UC, UCS, UCR, SBG, SBG/0**

For strap and rope, applied with caps **KU40** and **KU60** for operators **UC, UCS, UCR, SBG, SBG/0**

Für Gurt und Schnur, Einsatz mit Kapseln **KU40** und **KU60** für Antriebe **UC, UCS, UCR, SBG, SBG/0**



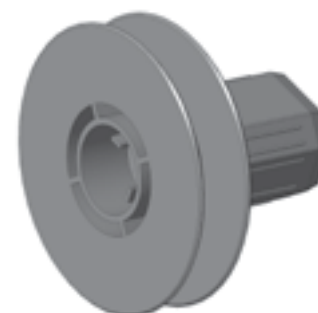
Référence Article Artikel	∅, mm	Pour les joues latérales For end caps Für Blendenkappen	Code Code Code	Commande standardisée, pièces Standard pack, pcs Verpackungs- einheit, Stk
TP125	125	SF137a, SF150a, SF165a, SF20/137, SF20/150, SF20/165, SF-R/137, SF-R/150, SF-R/165, SF-QR/137, SF-QR/150, SF-QR/165	1090399	50,0
TP140	140	SF165a, SF180a, SF20/165, SF20/180, SF-R/165, SF-R/180, SF-QR/165, SF-QR/180	1090400	50,0
TP170	170	SF205a, SF230/S, SF250/Sa, SF20/205, SF-R/205, SF-QR/205	1090402	25,0

TPC90 | POULIE | PULLEY | SCHEIBE

Poulie à capsule pour le tube octogonal **RT40x0,5, RT40x0,6**. À utiliser avec le palier **BB12x28**, compatible avec les commandes **UC, UCS, UCR, SBG, SBG/0**

Compatible with a cap. For 40 mm octagonal roll tube, applied with **BB12x28** bearing for operators **UC, UCS, UCR, SBG, SBG/0**

Mit Kapsel für Achtkantwelle **RT40**. Einsatz mit Kugellager **BB12x28** für Antriebe **UC, UCS, UCR, SBG, SBG/0**



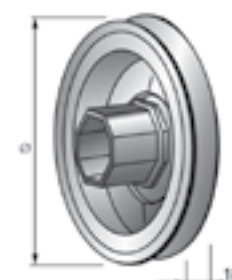
Référence Article Artikel	∅, mm	Pour les joues latérales For end caps Für Blendenkappen	Code Code Code	Commande standardisée, pièces Standard pack, pcs Verpackungs- einheit, Stk
TPC90	90	SF125, SF137a, SF20/137, SF-R/137, SF-QR/137	312001100	50,0

RP40x150, RP60x150, RP60x180 | POULIE | PULLEY | SEILSCHEIBE

Fabriquée en acier, galvanisée, munie de palier **BB12x28** à douille en aluminium. À utiliser avec les enrouleurs **UC, UCR, SBG, SBG/0, SBR/40, SBR/140, SBR/80** et **SBR/180**

Steel, galvanized, with **BB12x28** bearing in aluminium bushing. Used with **UC, UCR, SBG, SBG/0, SBR/40, SBR/140, SBR/80** and **SBR/180** coilers

Stahl, galvanisiert, mit Lager **BB12x28** in Aluminiumbuchse. Zur Verwendung mit **UC, UCR, SBG, SBG/0, SBR/40, SBR/140, SBR/80** und **SBR/180**



Référence Article Artikel	Pour les joues latérales For end caps Für Blendenkappen	Pour le tube octo: For octagonal tube: Für Achtkantwelle:	Code Code Code
RP40x150	SF165a, SF180a, SF205a, SF230/S, SF250/Sa, SF20/165, SF20/180, SF20/205, SF-R/165, SF-R/180, SF-R/205, SF-QR/180, SF-QR/205	40 mm, ∅150 mm	1091101
RP60x150	SF165a, SF180a, SF205a, SF230/S, SF250/Sa, SF20/165, SF20/180, SF20/205, SF-R/165, SF-R/180, SF-R/205, SF-QR/180, SF-QR/205	60 mm, ∅150 mm	1091102
RP60x180	SF205a, SF230/S, SF250/Sa, SF20/205, SF-R/205, SF-QR/205	60 mm, ∅180 mm	1091103

Commande standardisée, pièces / Standard pack, pcs / Verpackungseinheit, Stk10

RPS70x210 | POULIE | PULLEY | SEILSCHEIBE

Fabriquée en acier, galvanisée, munie de broche. À utiliser avec les enrouleurs **SBR/40, SBR/I40, SBR/80** et **SBR/I80**. Pour le tube de 70 mm

Of galvanized steel, with dowel. Applied with **SBR/40, SBR/I40, SBR/80** and **SBR/I80**. For 70 mm octagonal roll tubes

Stahl, galvanisiert, mit Stift. Einsatz mit **SBR/40, SBR/I40, SBR/80** und **SBR/I80**. Für Achtkantwelle: 70 mm



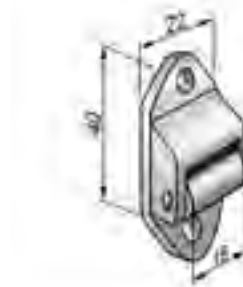
Référence Article Artikel	Ø, mm	Pour les joues latérales For end caps Für Blendenkappen	Code Code Code	Commande standardisée, pièces Standard pack, pcs Verpackungseinheit, Stk
RPS70x210	210	SF250/Sa, SF250a, SF300a, SF360	1091106	10,0

TG | GUIDE POUR SANGLE | STRAP GUIDE | GURTTLEITROLLE

Guide en matière plastique à rouleau

Plastic body and roller

Gehäuse und Rolle aus Kunststoff



Coloris	Colour	Farbe	Code • Code • Code
blanc	white	weiß	1090501
brun	brown	braun	1090502

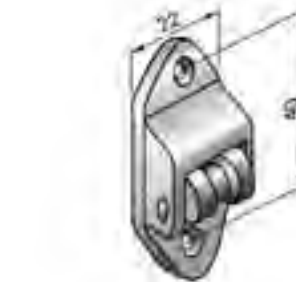
Commande standardisée, pièces / Standard pack, pcs / Verpackungseinheit, Stk60

BG | GUIDE POUR CORDON | ROPE GUIDE | SEILLEITROLLE

Fabriquée en matière plastique avec un rouleau en acier

Plastic body with steel roller

Gehäuse aus Kunststoff mit Rolle aus Stahl



Coloris	Colour	Farbe	Code • Code • Code
blanc	white	weiß	1091201
brun	brown	braun	1091202

Commande standardisée, pièces / Standard pack, pcs / Verpackungseinheit, Stk60

BGI | GUIDE POUR CORDON | ROPE GUIDE | SEILLEITROLLE

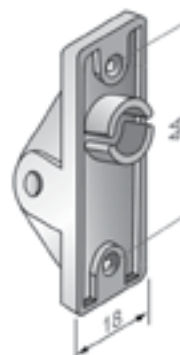
Fabriqué en matière plastique avec un rouleau en nylon. À installer à l'intérieur.

Possibilité d'utilisation avec le ressort de sécurité **SPR**

Plastic body and nylon roller. For interior installation. Can be used with **SPR** protective spring

Gehäuse aus Kunststoff mit Nylon-Rolle. Einsatz mit Spiralschutzfeder **SPR** möglich

Coloris	Colour	Farbe	Code • Code • Code
blanc	white	weiß	1091301
brun	brown	braun	1091302



Commande standardisée, pièces / Standard pack, pcs / Verpackungseinheit, Stk60

BGI/F | GUIDE POUR CÂBLE | CORD GUIDE | SEILLEITROLLE

Fabriqué en matière plastique avec un rouleau en acier. À installer à l'intérieur.

Possibilité d'utilisation avec le ressort de sécurité **SPR**

Plastic body, steel roller. For interior installation. Can be applied with **SPR** protective spring

Kunststoffgehäuse mit Stahlrolle, für Unterputzmontage. Einsatz mit Spiralschutzfeder **SPR** möglich

Coloris	Colour	Farbe	Code • Code • Code
blanc	white	weiß	1091701
brun	brown	braun	1091702



Commande standardisée, pièces / Standard pack, pcs / Verpackungseinheit, Stk60

RG/F | GUIDE POUR CÂBLE | CORD GUIDE | SEILFÜHRUNG

Fabriqué en plastique avec un rouleau en acier. À utiliser avec **SBR/80, SBR/180** et **SBR/40, SBR/140**

Plastic body with steel roller. Used with **SBR/80, SBR/180** and **SBR/40, SBR/140** coilers

Kunststoffgehäuse mit Stahlrolle. Verwendung mit **SBR/80, SBR/180** und **SBR/40, SBR/140**

Référence • Article • Artikel	Code • Code • Code
RG/F	1091710



Commande standardisée, pièces / Standard pack, pcs / Verpackungseinheit, Stk15

SPG | BOÎTE EN PLASTIQUE | HOUSING | GEHÄUSE

À utiliser avec **RG/F**
Plastic. Used with **RG/F**
Kunststoff. Verwendung mit **RG/F**



Référence • Article • Artikel	Code • Code • Code
SPG	1091720

Commande standardisée, pièces / Standard pack, pcs / Verpackungseinheit, Stk15

TG/U | GUIDE POUR SANGLE | STRAP GUIDE | GURTLEITROLLE

En plastique, intégré. Pour les joues latérales **SF45/u, SF45/u-B, M-SF45/u, SF45/u-M, SF45/u-BM**
Plastic, built-in. For **SF45/u, SF45/u-B, M-SF45/u, SF45/u-M, SF45/u-BM** end caps
Kunststoff, eingebaut. Für Blendenkappen **SF45/u, SF45/u-B, M-SF45/u, SF45/u-M, SF45/u-BM**



Coloris	Colour	Farbe	Code • Code • Code
blanc	white	weiß	313080101
brun	brown	braun	313080102

Commande standardisée, pièces / Standard pack, pcs / Verpackungseinheit, Stk50

BG/U | GUIDE POUR CORDON | ROPE GUIDE | SEILLEITROLLE

En plastique avec un rouleau en acier, intégré. Pour les joues latérales **SF45/u, SF45/u-B, M-SF45/u, SF45/u-M, SF45/u-BM**
Plastic with a steel roller, built-in. For **SF45/u, SF45/u-B, M-SF45/u, SF45/u-M, SF45/u-BM** end caps
Kunststoff-Gehäuse mit Stahl-Rolle, eingebaut. Für Blendenkappen **SF45/u, SF45/u-B, M-SF45/u, SF45/u-M, SF45/u-BM**



Coloris	Colour	Farbe	Code • Code • Code
blanc	white	weiß	313081101
brun	brown	braun	313081102

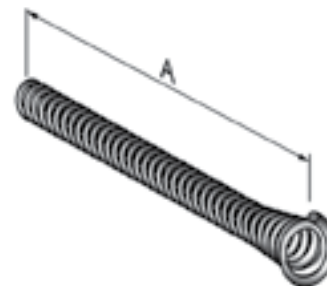
Commande standardisée, pièces / Standard pack, pcs / Verpackungseinheit, Stk50

SPR (105, 250, 500) | RESSORT DE SÉCURITÉ | PROTECTIVE SPRING | SPIRALSCHUTZFEDER

Fabriqué en acier pour les guides BGI et BGI/F. Permet d'éviter la rupture du cordon lors de l'installation de la commande à travers le mur

Steel, for BGI and BGI/F rope guides, to prevent rope wear by through-wall drive mounting

Stahl, für Seilleitrollen BGI und BGI/F, verhindert das Durchreiben des Seils bei Montage des Getriebes durch die Wand



Référence • Article • Artikel	A, mm	Code • Code • Code
SPR105	105	1091401
SPR250	250	1091402
SPR500	500	1091403

Commande standardisée, pièces / Standard pack, pcs / Verpackungseinheit, Stk50

PT | TUBE DE SÉCURITÉ EN PVC | PROTECTIVE PVC TUBE | PVC-SCHUTZROHR

À utiliser avec les enrouleurs pour câble **SBR/80, SBR/180, SBR/40** et **SBR/140**

Applied with **SBR/80, SBR/180, SBR/40** and **SBR/140** cord gear coiler

Verwendung mit Seilwickler **SBR/80, SBR/180, SBR/40** und **SBR/140**

Référence • Article • Artikel	Code • Code • Code
PT	1091600



Commande standardisée, pièces / Standard pack, pcs / Verpackungseinheit, Stk 1

FG | GUIDE POUR CÂBLE | CORD END GUIDE | SEILLEITROLLE

Tube en acier avec des articulations en matière plastique. À utiliser avec **SBR/80, SBR/180** et **SBR/40, SBR/140** lors du montage sans caisson

Steel tube, plastic hinge elements. Can be applied with **SBR/80, SBR/180** and **SBR/40, SBR/140** in case of mounting without box

Stahlrohr, Gelenkstücke aus Kunststoff. Verwendung mit **SBR/80, SBR/180** und **SBR/40, SBR/140** bei Montage ohne Kasten

Référence • Article • Artikel	Code • Code • Code
FG	1091730



Commande standardisée, pièces / Standard pack, pcs / Verpackungseinheit, Stk15

Commande manuelle par treuil Hand crank operation Kurbelantrieb

W35M | RÉDUCTEUR | GEAR | GETRIEBE

Réducteur métallique muni d'une fin de course. Jusqu'à 35 kg. du poids soulevé.
Rapport de transmission 1:11

35 kg capacity, metal housing, with end-position limiter. Gear ratio: 1:11

Tragfähigkeit bis 35 kg, Metallgehäuse mit Rasterung in der Endposition. Übersetzungsverhältnis 1:11

Référence • Article • Artikel	Code • Code • Code
W35M	1100232



Commande standardisée, pièces / Standard pack, pcs / Verpackungseinheit, Stk20

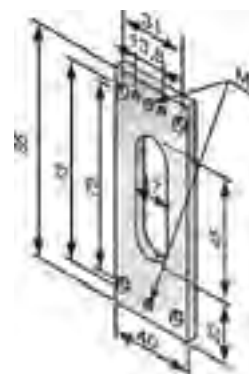
PL85 | PLAQUE | CARDAN PLATE | PLATTE

Plaque pour les joints de cardan **CJ8** et **CJ8-1000**

CJ8 and **CJ8-1000** cardan plate

Platte für Kurbelgestänge **CJ8** und **CJ8-1000**

Référence • Article • Artikel	Code • Code • Code
PL85	1100311



Commande standardisée, pièces / Standard pack, pcs / Verpackungseinheit, Stk10

CJ8 | CARDAN 90° | 90° CARDAN JOINT | KURBELGESTÄNGE 90°

À utiliser avec la manivelle **H150** et la broche tétraédrique de 8 mm

8 mm four-sided pin compatible with **H150** crank rod

Für Kurbel **H150** mit Vierkantstift 8 mm

Référence • Article • Artikel	Code • Code • Code
CJ8	1100300

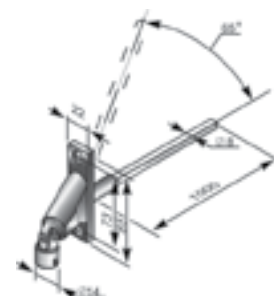


Commande standardisée, pièces / Standard pack, pcs / Verpackungseinheit, Stk10

CJ8-1000 | **CARDAN 90°** | **90° CARDAN JOINT** | **KURBELGESTÄNGE 90°**

À utiliser avec la manivelle **H150** et la broche tétraédrique de 8 mm
 8 mm four-sided pin, compatible with **H150** crank rod
 Für Kurbel **H150** mit Vierkantstift 8 mm

Référence • Article • Artikel	Code • Code • Code
CJ8-1000	1100305

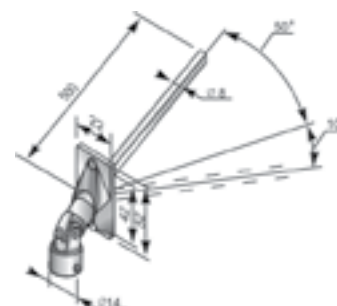


Commande standardisée, pièces / Standard pack, pcs / Verpackungseinheit, Stk10

CJ8/S | **CARDAN 50°** | **50° CARDAN JOINT** | **KURBELGESTÄNGE 50°**

À utiliser avec la manivelle **H150** et la broche tétraédrique de 8 mm
 8 mm four-sided pin compatible with **H150** crank rod
 Für Kurbel **H150** mit Vierkantstift 8 mm

Référence • Article • Artikel	Code • Code • Code
CJ8/S	1100302



Commande standardisée, pièces / Standard pack, pcs / Verpackungseinheit, Stk10

BC | **BROCHE** | **DRIVING PIVOT** | **KUPPLUNGSSTIFT**

Fabriquée en acier, à utiliser avec les cardans **CJ8, CJ8-1000, CJ8/S, CJ7, CJ7M**,
 moyeu **PV** et manivelle **H150** pour former un treuil enlevable
 Steel. Applied with **CJ8, CJ8-1000, CJ8/S, CJ7, CJ7M** cardan joints, **PV** fast clutch and
H150 crank rod for removable hand crank operation
 Stahl, zur Verwendung mit Kurbelgestängen **CJ8, CJ8-1000, CJ8/S, CJ7, CJ7/M** mit Buchse
PV und abnehmbarer Kurbel **H150**

Référence • Article • Artikel	Code • Code • Code
BC	1100500



Commande standardisée, pièces / Standard pack, pcs / Verpackungseinheit, Stk10

PV | MOYEU | FAST CLUTCH | HÜSENKUPPLUNG

Moyeu en acier, à utiliser avec les cardans **CJ8, CJ8-1000, CJ8/S, CJ7, CJ7M**, broche **BC** et manivelle **H150** pour former un treuil enlevable

Steel. Applied with **CJ8, CJ8-1000, CJ8/S, CJ7, CJ7M** cardan joints, **BC** driving pivot, **H150** crank rod for removable hand crank operation

Stahl, zur Verwendung mit Kurbelgestängen **CJ8, CJ8-1000, CJ8/S, CJ7, CJ7/M** mit Kupplungsstift **BC** und abnehmbarer Kurbel **H150**



Référence • Article • Artikel	Code • Code • Code
PV	1100600

Commande standardisée, pièces / Standard pack, pcs / Verpackungseinheit, Stk20

H150 | MANIVELLE | CRANK ROD | KURBEL

150 sm de longue fabriquée en aluminium la manivelle est utilisée avec les cardans **CJ8, CJ8-1000, CJ8/S, CJ7, CJ7M**

Aluminium. Length — 150 cm. Compatible with **CJ8, CJ8-1000, CJ8/S, CJ7, CJ7M** cardan joints

Aluminium. Länge — 150 cm. Zur Verwendung mit Kurbelgestängen **CJ8, CJ8-1000, CJ8/S, CJ7, CJ7/M**



Référence • Article • Artikel	Code • Code • Code
H150	1100400

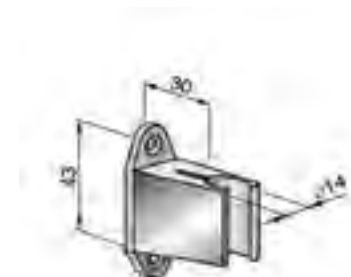
Commande standardisée, pièces / Standard pack, pcs / Verpackungseinheit, Stk10

CL | CLIP DE MANIVELLE | SPRING CLAMP | KLEMME FÜR KURBEL

Fabriquée en matière plastique pour bloquer la manivelle **H150**

Plastic, for fixing **H150** crank rod

Kunststoff, zur Befestigung der Kurbel **H150**

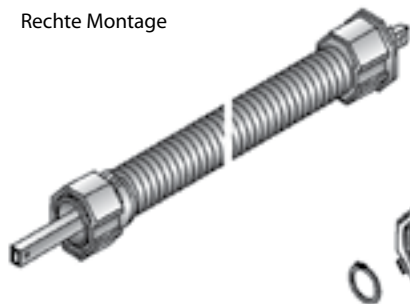


Coloris	Colour	Farbe	Code • Code • Code
blanc	white	weiß	1100701

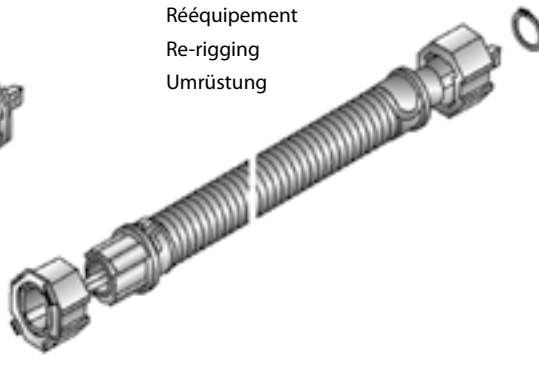
Commande standardisée, pièces / Standard pack, pcs / Verpackungseinheit, Stk50

Ressorts de tirage direct Assist and push-up springs Federantrieb

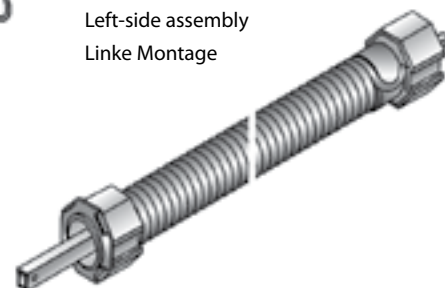
Montage à droite
 Right-side assembly
 Rechte Montage



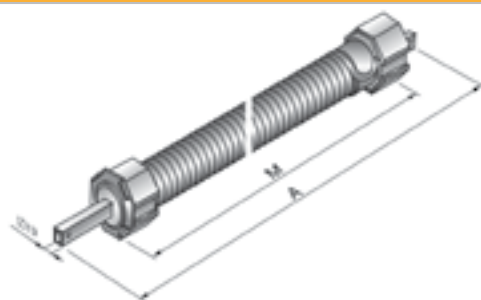
Rééquipement
 Re-rigging
 Umrüstung



Montage à gauche
 Left-side assembly
 Linke Montage



MECANISMES DE RESSORT INSTALLÉS SUR LE TUBE OCTOGONAL | ASSIST AND PUSH-UP SPRINGS BUILT INTO OCTAGONAL ROLL TUBE | FEDERANTRIEB



Diamètre du tube, mm Tube size, mm Größe der Welle, mm	Code Code Code	Référence Article Artikel	Caractéristiques du ressort Spring specifications Feder-Daten		Dimensions, mm Dimensions, mm Abmessungen, mm		Poids soulevé, kg Capacity, kg Tragfähigkeit, kg	Nombre nominal de rotations du ressort Nominal revolution number Nominale Umdrehungszahl der Feder	Nombre maximal de rotations du ressort Max. revolution number Max. Umdrehungszahl der Feder
			Ø, mm	Nombre de spires Number of coils Anzahl der Windungen	M	A			
40	310007100	4SIM04/8	2,0	91	280	350	4	8	10
	1130101	4SIM06/13	2,2	140	440	500	6	13	16
	1130102	4SIM10/12	2,6	155	540	600	10	12	15
	1130103	4SIM15/21	2,8	240	860	920	15	21	22
	1130104	4SIM15/16	2,8	175	650	710	15	16	16
60	1130105	4SIM20/16	3,0	180	700	760	20	16	16
	1130201	6SIM12/21	3,0	180	705	760	12	21	21
	1130202	6SIM18/12	3,5	124	595	650	18	12	13
	1130203	6SIM18/17	3,5	180	805	860	18	17	20
	1130204	6SIM28/14	4,0	160	805	860	28	14	15
	1130205	6SIM38/12	4,5	160	885	940	38	12	13
	1130206	6SIM62/11	5,0	140	885	940	62	11	12
70	1130301	7SIM46/13	5,0	180	1075	1130	46	13	13
	1130302	7SIM50/11	5,0	140	885	940	50	11	11
	1130303	7SIM72/10	5,5	133	915	970	72	10	10
	1130304	7SIM65/13	5,5	188	1215	1270	65	13	13
	1130306	7SIM80/11	6,0	170	1201	1270	80	11	11
1130305	7SIM100/10	6,0	133	975	1030	100	10	10	

NB: les données ci-dessus sur les caractéristiques des ressorts ne prennent pas en compte les forces de frottement dans le ressort même ni dans le tablier du volet. Pour déterminer correctement le poids soulevé par le ressort il faut augmenter le poids du tablier de 30%.

NOTE: The above capacity calculations have been made disregarding frictional force inside the spring as well as frictional force of the sliding curtain. Therefore, to accurately determine the needed spring capacity, the calculated curtain weight is to be increased by 30%.

Hinweis: In den angeführten Angaben zur Belastbarkeit des Federantriebs wurde die Reibungskraft im Mechanismus und Panzer nicht berücksichtigt. Um die benötigte Belastbarkeit des Federantriebs richtig zu bestimmen, sind zum Berechnungsgewicht des betroffenen Rollladenpanzers 30% hinzu zu fügen.

FS | CRAMPON | CLAMP | HALTEKLAMMER

A utiliser avec les volets roulants aux ressorts de tirage direct pour les fixer avec le tube octo. A utiliser plusieurs fois

Used for mounting roller shutters with assist and push-up springs for temporary fixation of the mechanism in order to insert retainer springs into horizontally perforated openings of the tube. For multiple use

Wird bei der Montage von Rollläden mit Federantrieb verwendet. Gewährleistet zeitweilige Befestigung des Mechanismus zur Einführung der Zugfedern in die Wellenöffnungen. Wird mehrfach genutzt



Référence • Article • Artikel	Code • Code • Code
FS	310001700

Commande standardisée, pièces / Standard pack, set / Verpackungseinheit, Set20

PLA100 | PLANCHE DE FIXATION | SUPPORT PLATE | BEFESTIGUNGSPLATTE

Fabriquée en acier, pour les ressorts de tirage direct, fournie avec une goupille

Steel, for assist and push-up springs, with split pin

Stahl, für Federantrieb, mit Splint



Référence • Article • Artikel	Code • Code • Code
PLA100	1120501

Commande standardisée, pièces / Standard pack, set / Verpackungseinheit, Set20

HD | MANIVELLE TÉLESCOPIQUE | TELESCOPIC HANDLE | TELESKOPGRIFF

Utilisé pour faciliter l'exploitation des volets roulants à tirage direct

Used for convenient exploitation of the roller shutter systems with spring-inertia mechanism (SIM)

Für benutzerfreundliche Bedienung der Rollladensysteme mit Federantrieb



Référence • Article • Artikel	Code • Code • Code
HD	1120600

Commande standardisée, pièces / Standard pack, pcs / Verpackungseinheit, Stk10



ALUTECH
ROLLER SHUTTER SYSTEMS

1 1

[Fr] ACCESSOIRES

[En] ACCESSORIES

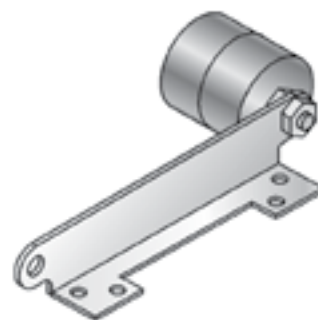
[De] ZUBEHÖR

RGH/77 | ROULEAU DE GUIDAGE | GUIDE ROLLER | EINLAUFROLLE

Fabriqué en plastique, monté sur un support métallique à utiliser avec des joues latérales **SF250a, SF300a, SF250a-M, SF300a-M**.

Plastic, set on metal bracket, for mounting on **SF250a, SF300a, SF250a-M, SF300a-M** end caps.

Kunststoff, auf Metallwinkel zur Befestigung an Blendenkappen **SF250a, SF300a, SF250a-M, SF300a-M**.



Référence • Article • Artikel	Code • Code • Code
RGH/77	1031401

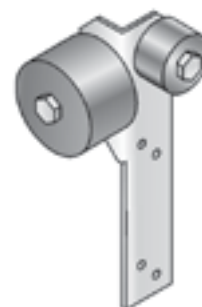
Commande standardisée, paire / Standard pack, pair / Verpackungseinheit, Paar10

RGV/77 | ROULEAU DE GUIDAGE | GUIDE ROLLER | EINLAUFROLLE

Fabriqué en plastique, monté sur un support métallique à utiliser avec la coulisse

Plastic, set on metal bracket, for mounting on guide rail

Kunststoff, auf Metallwinkel zur Befestigung an der Führungsschiene



Référence • Article • Artikel	Code • Code • Code
RGV/77	1031501

Commande standardisée, paire / Standard pack, pair / Verpackungseinheit, Paar10

RGH/14 | ROULEAU DE GUIDAGE | GUIDE ROLLER | EINLAUFROLLE

En acier, à utiliser avec les lames **AR/52, AR(H)/55, AR/55m, AR/555, AER55/S, AER55m/S, AER56**. à utiliser avec les coulisses **GRM66x27E, GR75x27E, GR75x27/SE**. à utiliser avec les joues latérales **SF230, SF250a, SF300a, SF230-M, SF250a-M, SF300a-M**.

Steel, to be used with the profiles **AR/52, AR(H)/55, AR/55m, AR/555, AER55/S, AER55m/S, AER56**. to be used with the guide rails **GRM66x27E, GR75x27E, GR75x27/SE**. to be used with the end caps **SF230, SF250a, SF300a, SF230-M, SF250a-M, SF300a-M**.

Stahl, kompatibel mit Profilen **AR/52, AR(H)/55, AR/55m, AR/555, AER55/S, AER55m/S, AER56**. kompatibel mit Führungsschienen **GRM66x27E, GR75x27E, GR75x27/SE**. kompatibel mit Blendenkappen **SF230, SF250a, SF300a, SF230-M, SF250a-M, SF300a-M**.



Référence • Article • Artikel	Code • Code • Code
RGH/14	317043700

Poids, kg / Weight, kg / Gewicht, kg0,332

Commande standardisée, paire / Standard pack, pair / Verpackungseinheit, Paar 100

RGH/19 | ROULEAU DE GUIDAGE | GUIDE ROLLER | EINLAUFROLLE

En acier, à utiliser avec les lames **AG/77, AER84**. à utiliser avec les coulisses **GR70x34E, GR83x33/eco, GR90x34E, GR90x33(I), GR100x35IE**, à utiliser avec les joues latérales **SF230, SF250a, SF300a, SF230-M, SF250a-M, SF300a-M**

Steel, to be used with the profiles **AG/77, AER84** to be used with the guide rails **GR70x34E, GR83x33/eco, GR90x34E, GR90x33(I), GR100x35IE**, to be used with the end caps **SF230, SF250a, SF300a, SF230-M, SF250a-M, SF300a-M**

Stahl, kompatibel mit Profilen **AG/77, AER84** kompatibel mit Führungsschienen **GR70x34E, GR83x33/eco, GR90x34E, GR90x33(I), GR100x35IE**, kompatibel mit Blendenkappen **SF230, SF250a, SF300a, SF230-M, SF250a-M, SF300a-M**



Référence • Article • Artikel	Code • Code • Code
RGH/19	303027700

Poids, kg / Weight, kg / Gewicht, kg0,338
 Commande standardisée, paire / Standard pack, pair / Verpackungseinheit, Paar 100

RGH9/U | ROULEAU DE GUIDAGE | GUIDE ROLLER | EINLAUFROLLE

En plastique, avec axe métallique, pour les lames renforcées 9 mm **AER44m/S, AER44/S** et **ARH/37S**. A utiliser avec les joues latérales **SF45/u, SF45/u-B, SF45/u-M, SF45/u-BM**.

Plastic, with metallic axis, for reinforced **AER44m/S, AER44/S** and **ARH/37S** profiles of 9 mm. Used with **SF45/u, SF45/u-B, SF45/u-M, SF45/u-BM** end caps.

Kunststoff, mit Metall-Öse, für verstärkte 9 mm Profile **AER44m/S, AER44/S** und **ARH/37S**. Wird zusammen mit Blendenkappen **SF45/u, SF45/u-B, SF45/u-M, SF45/u-BM** verwendet.



Référence • Article • Artikel	Code • Code • Code
RGH9/U	313079100

Commande standardisée, paire / Standard pack, pair / Verpackungseinheit, Paar50

GD9 | TULIPE | ENTRY GUIDE | EINLAUFTRICHTER

Fabriquée en matière plastique, pour les lames de 9 mm **AR/377, AR/41, AR/40, ARH/40, AR/45, AER42, AER44m/S, AER44/S**. A utiliser avec les joues latérales **SF125a, SF137a, SF150a, SF165a, SF180a, SF205a, SF230/S, SF250/Sa, SF230/S-M, SF250/Sa-M**.

Plastic, for 9 mm profiles **AR/377, AR/41, AR/40, ARH/40, AR/45, AER42, AER44m/S, AER44/S**. To be used with **SF125a, SF137a, SF150a, SF165a, SF180a, SF205a, SF230/S, SF250/Sa, SF230/S-M, SF250/Sa-M** end caps.

Kunststoff, für 9 mm Profile **AR/36, AR/377, AR/41, AR/40, ARH/40, AR/45, AER42, AER44m/S, AER44/S**. Wird mit Blendenkappen **SF125a, SF137a, SF150a, SF165a, SF180a, SF205a, SF230/S, SF250/Sa, SF230/S-M, SF250/Sa-M** eingesetzt.



Coloris	Colour	Farbe	Code • Code • Code
blanc	white	weiß	1112801
brun	brown	braun	1112802

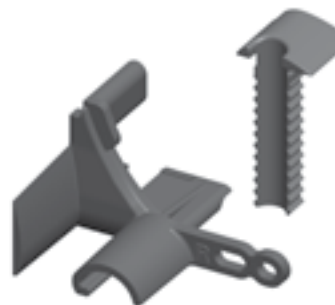
Commande standardisée, paire / Standard pack, pair / Verpackungseinheit, Paar 100

GD9/C | TULIPE | ENTRY GUIDE | EINLAUFTRICHTER

Le guide supérieur est fourni avec un pied avec passage pour câble. Fabriqué en polyamide, pour les lames **AR/377, AR/39, AR/41, AR/40, ARH/40, AR/45, AER42, AER44m/S, AER44/S**. A utiliser avec les joues latérales **SF125a, SF137a, SF150a, SF165a, SF180a, SF205a, SF230/S, SF250/Sa, SF230/S-M, SF250/Sa-M**.

Set of top entry guide and a dismountable leg for cable output (with a hole). Polyamide, for **AR/377, AR/39, AR/41, AR/40, ARH/40, AR/45, AER42, AER44m/S, AER44/S** profiles. To be used with **SF125a, SF137a, SF150a, SF165a, SF180a, SF205a, SF230/S, SF250/Sa, SF230/S-M, SF250/Sa-M** end caps

Set des oberen Einlaufstutzens mit Fuß mit Loch für Kabelverlegung. Polyamid, für Profile **AR/377, AR/39, AR/41, AR/40, ARH/40, AR/45, AER42, AER44m/S, AER44/S**. Wird mit Blendenkappen **SF125a, SF137a, SF150a, SF165a, SF180a, SF205a, SF230/S, SF250/Sa, SF230/S-M, SF250/Sa-M** eingesetzt.



Coloris	Colour	Farbe	Code • Code • Code
blanc	white	weiß	313052101
brun	brown	braun	313052102
gris	grey	grau	313052103
beige	beige	beige	313052104
noir	black	schwarz	313052110
anthracite	anthracite	anthrazit	313052113
vert sapin	green fir	tannengrün	313052115
crème	cream	cremeweiss	313052121
brun foncé	dark brown	dunkelbraun	313052122
ivoire claire	light ivory	hellelfenbein	313052123
bleu foncé	dark blue	dunkelblau	313052126

Commande standardisée, paire / Standard pack, pair / Verpackungseinheit, Paar 100

GD9/W | TULIPE | ENTRY GUIDE | EINLAUFTRICHTER

Le guide supérieur est fourni avec un pied sans trou. Fabriqué en polyamide, pour les lames **AR/377, AR/39, AR/41, AR/40, ARH/40, AR/45, AER42, AER44m/S, AER44/S**. A utiliser avec les joues latérales **SF125a, SF137a, SF150a, SF165a, SF180a, SF205a, SF230/S, SF250/Sa, SF230/S-M, SF250/Sa-M**.

Set of top entry guide and a leg without hole. Polyamide, for **AR/377, AR/39, AR/41, AR/40, ARH/40, AR/45, AER42, AER44m/S, AER44/S** profiles. To be used with **SF125a, SF137a, SF150a, SF165a, SF180a, SF205a, SF230/S, SF250/Sa, SF230/S-M, SF250/Sa-M** end caps

Set des oberen Einlaufstutzens mit Fuß ohne Loch. Polyamid, für Profile **AR/377, AR/39, AR/41, AR/40, ARH/40, AR/45, AER42, AER44m/S, AER44/S**. Wird mit Blendenkappen **SF125a, SF137a, SF150a, SF165a, SF180a, SF205a, SF230/S, SF250/Sa, SF230/S-M, SF250/Sa-M** eingesetzt.



Coloris	Colour	Farbe	Code • Code • Code
blanc	white	weiß	313053101
brun	brown	braun	313053102
gris	grey	grau	313053103
beige	beige	beige	313053104
noir	black	schwarz	313053110
anthracite	anthracite	anthrazit	313053113
vert sapin	green fir	tannengrün	313053115
crème	cream	cremeweiss	313053121
brun foncé	dark brown	dunkelbraun	313053122
ivoire claire	light ivory	hellelfenbein	313053123
bleu foncé	dark blue	dunkelblau	313053126

Commande standardisée, paire / Standard pack, pair / Verpackungseinheit, Paar 100

GD9/D | TULIPE | ENTRY GUIDE | EINLAUFTRICHTER

Fabriquée en matière plastique, pour les lames **AR/377, AR/39, AR/41, AR/40, ARH/40, AR/45, AER42, AER44m/S, AER44/S**. A utiliser avec les joues latérales pour les systèmes combinés **SF45/137...205/D, SF-R/137... 205/D, SF-QR/137...205/D, SF45/137...205/I, SF-R/137...205/I, SF-QR/137...205/I** et la coulisse **GR83x22E**.

Plastic, for **AR/377, AR/39, AR/41, AR/40, ARH/40, AR/45, AER42, AER44m/S, AER44/S** profiles. To be used with **SF45/137...205/D, SF-R/137... 205/D, SF-QR/137...205/D, SF45/137...205/I, SF-R/137...205/I, SF-QR/137...205/I** end caps for combined systems and **GR83x22E** guide rail.

Kunststoff, für Profile **AR/377, AR/39, AR/41, AR/40, ARH/40, AR/45, AER42, AER44m/S, AER44/S**. Einsatz zusammen mit Blendenkappen für kombinierte Systeme **SF45/137...205/D, SF-R/137... 205/D, SF-QR/137...205/D, SF45/137...205/I, SF-R/137...205/I, SF-QR/137...205/I** und Führungsschiene **GR83x22E**.



Coloris	Colour	Farbe	Code • Code • Code
Blanc	White	weiß	313062101
Noir	Black	schwarz	313062110

Commande standardisée, pièces. / Standard pack, pcs / Verpackungseinheit, Stk 100

GD9/U | TULIPE | ENTRY GUIDE | EINLAUFTRICHTER

En plastique, pour les lames 9 mm **AR/377, AR/39, AR/41, AR/45, AR/40, ARH/40, AER42, AER44m/S, AER44/S**. A utiliser avec les joues latérales **SF45/u, SF45/u-B, SF45/u-M, SF45/u-BM**.

Plastic, for **AR/377, AR/39, AR/41, AR/45, AR/40, ARH/40, AER42, AER44m/S, AER44/S** profiles of 9 mm. Used with **SF45/u, SF45/u-B, SF45/u-M, SF45/u-BM** end caps.

Kunststoff, für 9 mm Profile **AR/377, AR/39, AR/41, AR/45, AR/40, ARH/40, AER42, AER44m/S, AER44/S**. Wird zusammen mit Blendenkappen **SF45/u, SF45/u-B, SF45/u-M, SF45/u-BM** verwendet.



Coloris	Colour	Farbe	Code • Code • Code
blanc	white	weiß	313075101
brun	brown	braun	313075102

Commande standardisée, paire / Standard pack, pair / Verpackungseinheit, Paar 100

GD14 | TULIPE | ENTRY GUIDE | EINLAUFTRICHTER

Fabriquée en matière plastique, pour les lames de 14 mm **AR/52, AR/55, AR/55m, AR/55S, ARH/55, AER55/S, AER55m/S**. A utiliser avec les joues latérales **SF230, SF250a, SF300a, SF230-M, SF250a-M, SF300a-M**.

Plastic, for 14 mm profiles **AR/52, AR/55, AR/55S, ARH/55, AER55/S, AER55m/S**. Used with **SF230, SF250a, SF300a, SF230-M, SF250a-M, SF300a-M** end caps.

Kunststoff, für 14 mm Profile **AR/52, AR/55, AR/55S, ARH/55, AER55/S, AER55m/S**. Wird zusammen mit Blendenkappen **SF230, SF250a, SF300a, SF230-M, SF250a-M, SF300a-M** verwendet.



Coloris	Colour	Farbe	Code • Code • Code
blanc	white	weiß	1112901
brun	brown	braun	1112902

Commande standardisée, paire / Standard pack, pair / Verpackungseinheit, Paar 100

GD14/U | TULIPE | ENTRY GUIDE | EINLAUFTRICHTER

En plastique, pour les lames 14 mm **AR/55m, AR/52, AR/555, AR/55, ARH/55, AER55m/S, AER55/S**. A utiliser avec les joues latérales **SF45/u, SF45/u-B, SF45/u-M, SF45/u-BM**.

Plastic, for **AR/55m, AR/52, AR/555, AR/55, ARH/55, AER55m/S, AER55/S** profiles of 14 mm. Used with **SF45/u, SF45/u-B, SF45/u-M, SF45/u-BM** end caps.

Kunststoff, für 14 mm Profile **AR/55m, AR/52, AR/555, AR/55, ARH/55, AER55m/S, AER55/S**. Wird zusammen mit Blendenkappen **SF45/u, SF45/u-B, SF45/u-M, SF45/u-BM** verwendet.



Coloris	Colour	Farbe	Code • Code • Code
blanc	white	weiß	313076101
brun	brown	braun	313076102

Commande standardisée, paire / Standard pack, pair / Verpackungseinheit, Paar 100

GD14/C | TULIPE | ENTRY GUIDE | EINLAUFTRICHTER

Le guide supérieur est fourni avec un pied avec passage pour câble. Fabriqué en polyamide, pour les lames **AR/55m, AR/52, AR/55, ARH/55, AR/555, AER55/S, AER55m/S**.

Set of top entry guide and a dismountable leg for cable output (with a hole). Polyamide, for **AR/55m, AR/52, AR/55, ARH/55, AR/555, AER55/S, AER55m/S** profiles.

Oberer Einlauftrichter und Fuß mit Loch für Kabelausführung. Polyamid, für Profile **AR/55m, AR/52, AR/55, ARH/55, AR/555, AER55/S, AER55m/S**.



Coloris	Colour	Farbe	Code • Code • Code
blanc	white	weiß	313055101
brun	brown	braun	313055102
gris	grey	grau	313055103
beige	beige	beige	313055104
noir	black	schwarz	313055110
anthracite	anthracite	anthrazit	313055113
vert sapin	fir green	tannengrün	313055115
crème	cream	cremeweiß	313055121
brun foncé	dark brown	dunkelbraun	313055122
ivoire clair	light ivory	hellelfenbein	313055123
bleu foncé	dark blue	dunkelblau	313055126

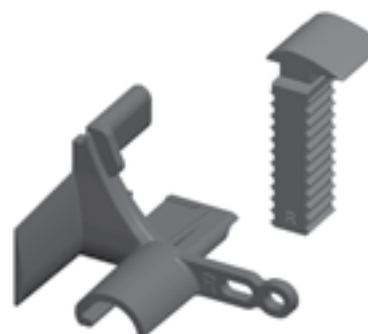
Commande standardisée, paire / Standard pack, pair / Verpackungseinheit, Paar 100

GD14/W | TULIPE | ENTRY GUIDE | EINLAUFTRICHTER

Le guide supérieur est fourni avec un pied sans trou. Fabriqué en polyamide, pour les lames **AR/55m, AR/52, AR/55, ARH/55, AR/555, AER55/S, AER55m/S**.

Set of top entry guide and a leg without hole. Polyamide, for **AR/55m, AR/52, AR/55, ARH/55, AR/555, AER55/S, AER55m/S** profiles.

Oberer Einlauftrichter und Fuß ohne Loch. Polyamid, für Profile **AR/55m, AR/52, AR/55, ARH/55, AR/555, AER55/S, AER55m/S**.



Coloris	Colour	Farbe	Code • Code • Code
blanc	white	weiß	313056101
brun	brown	braun	313056102
gris	grey	grau	313056103
beige	beige	beige	313056104
noir	black	schwarz	313056110
anthracite	anthracite	anthrazit	313056113
vert sapin	fir green	tannengrün	313056115
crème	cream	cremeweiß	313056121
brun foncé	dark brown	dunkelbraun	313056122
ivoire clair	light ivory	hellelfenbein	313056123
bleu foncé	dark blue	dunkelblau	313056126

Commande standardisée, paire / Standard pack, pair / Verpackungseinheit, Paar 100

AL | SERRURE AUTOMATIQUE | AUTOMATIC LOCKING DEVICE (AUTOMATIC LOCK) | AUTOMATISCHER RIEGEL

À utiliser avec la lame finale **ESL9x50(I)** et les lames **AR/377, AR/39, AR/40, AR/41**.
À utiliser avec des bouchons latéraux **SPA**, code 1111350

Applied with **ESL9x50(I)** end slat and roller shutter profiles **AR/377, AR/39, AR/40, AR/41**. Used with **SPA** side locks, code 1111350

Zur Verwendung mit Schlussleiste **ESL9x50(I)** und mit Profilen **AR/377, AR/39, AR/40, AR/41**. Wird zusammen mit Arretierstücken **SPA**, Code 1111350 montiert



Coloris	Colour	Farbe	Code • Code • Code
blanc	white	weiß	1113040

Commande standardisée, paire / Standard pack, pair / Verpackungseinheit, Paar 5

SPA | BOUCHON LATÉRAL | SIDE LOCK | ARRETIERCLIP

Pour les profiles **AR/377, AR/39, AR/40, AR/41**. Utilisé avec la serrure automatique **AL**
For **AR/377, AR/39, AR/40** and **AR/41** profile. Applied with **AL** automatic locking device (automatic lock)

Für Profile **AR/377, AR/39, AR/40** und **AR/41**. In Verwendung mit automatischem Riegel **AL**



Article • Marking • Artikel	Code • Code • Code
SPA	1111350

Commande standardisée, pièces / Standard pack, pcs / Verpackungseinheit, Stk 500

SL | VERROU MANUEL | HAND LATCH LOCK | HANDRIEGEL

Fabriqué en acier, à installer dans les lames finales **ES9x45(I), ES9x45R(I), ES14x51(I), ES14x51R(I), ESR60, ESR60I, ESR60R, ESR60RI** (nous recommandons d'en installer deux pour chaque lame finale)

Steel. To be fixed into **ES9x45(I), ES9x45R(I), ES14x51(I), ES14x51R(I), ESR60, ESR60I, ESR60R, ESR60RI** end slats (recommended to use in pairs in one end slat)

Stahl, für Montage in Schlussleisten **ES9x45(I), ES9x45R(I), ES14x51(I), ES14x51R(I), ESR60, ESR60I, ESR60R, ESR60RI** (es wird empfohlen jeweils ein Paar in einer Schlussleiste zu benutzen)



Référence • Article • Artikel	Code • Code • Code
SL	1111101

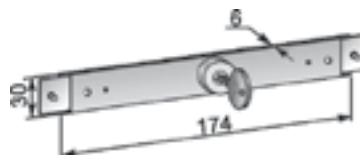
Commande standardisée, pièces / Standard pack, pcs / Verpackungseinheit, Stk 50

RL | SERRURE À VERROU | KEY LOCK | STANGENSCHLOSS

Serrure en acier, à deux verrous, se compose d'une partie centrale, de deux clés et d'accessoires pour montage, à utiliser avec les lames **ES9x45(I), ES9x45R(I), ES14x51(I), ES14x51R(I), ESR60, ESR60I, ESR60R, ESR60RI**

Steel, interior/exterior operated, consists of central part, 2 keys and accessories for fixing into profiles **ES9x45(I), ES9x45R(I), ES14x51(I), ES14x51R(I), ESR60, ESR60I, ESR60R, ESR60RI**

Stahl, von beiden Seiten bedienbar, besteht aus Zentralteil, 2 Schlüsseln und Befestigungsteil für Einbau in Profile **ES9x45(I), ES9x45R(I), ES14x51(I), ES14x51R(I), ESR60, ESR60I, ESR60R, ESR60RI**



Référence • Article • Artikel	Code • Code • Code
RL	1031112

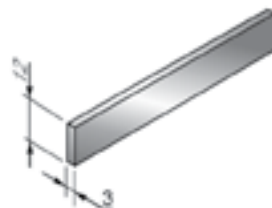
Commande standardisée, pièces / Standard pack, pcs / Verpackungseinheit, Stk10

PT44 | VERROU | LOCKING FLAT BAR | SCHUBRIEGEL

Pour les lames **ES9x45(I), ES9x45R(I), ES14x51(I), ES14x51R(I), ESR60, ESR60I, ESR60R, ESR60RI** à utiliser avec la serrure **RL**

For **ES9x45(I), ES9x45R(I), ES14x51(I), ES14x51R(I), ESR60, ESR60I, ESR60R, ESR60RI** profiles. Applied with **RL** key lock

Für Profile **ES9x45(I), ES9x45R(I), ES14x51(I), ES14x51R(I), ESR60, ESR60I, ESR60R, ESR60RI**. Wird zusammen mit Stangenschloss **RL** verwendet



Référence • Article • Artikel	Code • Code • Code
PT44	1111000

Poids de 1 ml, kg / Weight per 1 m, kg / Gewicht je lfd.m, kg0,098

Longueur standardisée, m / Standard length, m / Produktionslänge, m6,0

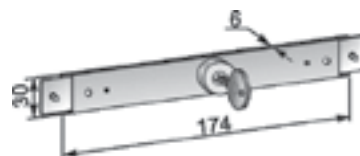
Commande standardisée, m / Standard pack, m / Verpackungseinheit, m240,0

RL/77 | SERRURE À VERROU | KEY LOCK | STANGENSCHLOSS

Serrure en acier, à deux verrous, se compose d'une partie centrale, de deux clés et d'accessoires pour montage, à utiliser avec les lames **ESR/77 et ESR/77R**

Steel, interior/exterior operated, consists of central part, 2 keys and accessories for fixing into profiles **ESR/77 and ESR/77R**

Stahl, von beiden Seiten bedienbar, besteht aus Zentralteil, 2 Schlüsseln und Befestigungsteil für Einbau in Profile **ESR/77 und ESR/77R**



Référence • Article • Artikel	Code • Code • Code
RL/77	1031111

Commande standardisée, pièces / Standard pack, pcs / Verpackungseinheit, Set10

PT20x4 | VERROU | LOCKING FLAT BAR | SCHUBRIEGEL

Pour les lames **ESR/77** et **ESR/77R** à utiliser avec la serrure **RL/77**
 For **ESR/77** and **ESR/77R** profiles. Applied with **RL/77** key lock
 Für Profile **ESR/77** und **ESR/77R**. Wird zusammen mit Stangenschloss **RL/77** verwendet



Référence • Article • Artikel	Code • Code • Code
PT20x4	1031200

Poids de 1 ml, kg / Weight per 1 m, kg / Gewicht je lfd.m, kg0,215
 Longueur standardisée, m / Standard length, m / Produktionslänge, m6,0
 Commande standardisée, m / Standard pack, m / Verpackungseinheit, m6,0

MK | CLÉ VIÈRGE | BLANK KEY | SCHLÜSSELROHLING

Pour la serrure à verrou **RL, RL/77**
 For **RL, RL/77** key lock
 Für Stangenschloss **RL, RL/77**

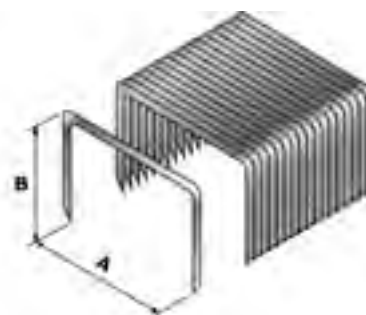


Référence • Article • Artikel	Code • Code • Code
MK	1031120

Commande standardisée, pièces / Standard pack, pcs / Verpackungseinheit, Stk.....50

S13x4, S13x6, S13x8 | AGRAFE | STAPLE | KLAMMER

Fabriqué en acier
 Steel
 Stahl

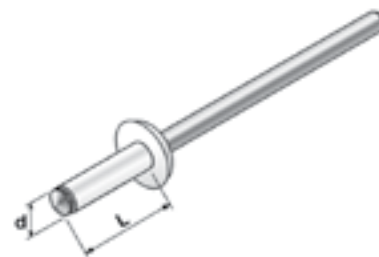


Référence Article Artikel	A, mm	B, mm	Code Code Code	Commande standardisée, pièces Standard pack, pcs Verpackungseinheit, Stk
S13x4	13	4	1113480	17000
S13x6	13	6	1113460	20000
S13x8	13	8	1113470	20000

N3×8, N4×10, N5×10 | RIVET | RIVET | POPNIET

Fabriquée en acier
Steel
Stahl

Référence	d, mm	L, mm	Coloris	Colour	Farbe	Code
Article						Code
Artikel						Code
N3×8	3	8	brut	mill-finished	blank	1113440
N4×10	4	10	blanc	white	weiß	1113441
N4×10	4	10	brun	brown	braun	1113442
N5×10	5	10	brut	mill-finished	blank	1113450



Commande standardisée, pièces / Standard pack, pcs / Verpackungseinheit, Stk..... 500

M6×20, M6×25, M6×30 | VIS | SCREW | SCHRAUBE

Galvanisé
With protective galvanized coating
Mit galvanischem Schutzbelag

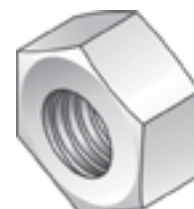
Référence	d, mm	L, mm	Code
Article			Code
Artikel			Code
M6×20	6	20	1113420
M6×25	6	25	1113400
M6×30	6	30	1113410



Commande standardisée, pièces / Standard pack, pcs / Verpackungseinheit, Stk..... 1000

M6 | ÉCROU | NUT | MUTTER

Galvanisé
With protective galvanized coating
Mit galvanischem Schutzbelag



Référence • Article • Artikel	Code • Code • Code
M6	1113430

Commande standardisée, pièces / Standard pack, pcs / Verpackungseinheit, Stk..... 1000

COLOR RS | LAQUE | CORRECTION FLUID | STREICHLACK

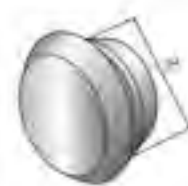
Pour les volets et les appuis de fenêtre
For roller shutter systems and windowsills
Für Rolladenstäbe und Fensterbänke



Référence Article Artikel	Coloris	Colour	Farbe	Code Code Code	Commande stan- dardisée, pièces Standard pack, pcs Verpackungseinheit, Stk
COLOR RS	blanc	white	weiß	1113501	6,0 (toutes combina- tions de Coloris) (all colour combinations) (Verschiedene Farb- kombinationen)
	brun	brown	braun	1113502	
	gris	grey	grau	1113503	
	beige	beige	beige	1113504	
	bleu ciel	sky blue	himmelblau	317001206	
	rouge pourpre	purple red	purpurrot	317001207	
	alu argenté	silver	silber	317001208	
	noir	black	schwarz	317001210	
	anthracite	anthracite	anthrazit	317001213	
	vert sapin	fir green	tannengrün	317001215	
	bleu azuré	azure blue	azurblau	317001216	
	jaune	yellow	gelb	317001220	
	crème	cream	cremeweiss	317001221	
	brun foncé	dark brown	dunkelbraun	317001222	
	ivoire claire	light ivory	hell elfenbein	317001223	
	beige foncé	dark beige	dunkelbeige	317001224	
vert mousse	moss green	moosgrün	317001225		
bleu foncé	dark blue	dunkelblau	317001226		
bronze	bronze	bronze	317001229		

PP12, PP14 | OBTURATEUR PVC | PVC PLUG BUTTON | PVC-ABDECKKAPPE

PP12 — ØA = 12 mm, **PP14** — ØA = 14 mm



Coloris	Colour	Farbe	PP12	PP14
			Code • Code • Code	
blanc	white	weiß	1112601	1112621
brun	brown	braun	1112602	1112622
gris	grey	grau	1112603	1112623
beige	beige	beige	1112604	1112624
bleu ciel	sky blue	himmelblau	313011106	313012106
rouge pourpre	purple red	purpurrot	313011107	313012107
alu argenté	silver	silber	313011108	313012108
noir	black	schwarz	313011110	313012110
anthracite	anthracite	anthrazit	313011113	313012113
vert sapin	fir green	tannengrün	313011115	313012115
bleu azuré	azure blue	azurblau	313011116	313012116
jaune	yellow	gelb	313011120	313012120
crème	cream	cremeweiss	313011121	313012121
brun foncé	dark brown	dunkelbraun	313011122	313012122
ivoire claire	light ivory	hell elfenbein	313011123	313012123
beige foncé	dark beige	dunkelbeige	313011124	313012124
vert mousse	moss green	moosgrün	313011125	313012125
bleu foncé	dark blue	dunkelblau	313011126	313012126
bronze	bronze	bronze	313011129	313012129

Commande standardisée, pièces / Standard pack, pcs / Verpackungseinheit, Stk.....1000



12

[Fr] INFORMATIONS
TECHNIQUES. LISTE
ALPHABÉTIQUE

[En] TECHNICAL INFORMATION.
INDEX

[De] TECHNISCHE INFORMATION.
SACHVERZEICHNIS

CARACTÉRISTIQUES D'ENROULEMENT (ON NE PREND PAS EN CONSIDÉRATION LA LAME FINALE DANS LES CARACTÉRISTIQUES D'ENROULEMENT)

Type de lame, Référence	TUBE, mm	Pièces d'attache du tablier	Caisson								
			125	137	150	165	180	205	230	250	300
			Nombre maximale de lames, pièces								
AR/377 AR/377N	40	Verrou RGM2	-	21	30	40	52	77	-	-	-
		Verrou RGM/Q	24	39	54	68	89	109	-	-	-
		Attache du tablier + bague RD40	27	42	53	73	87	118	-	-	-
	60	Verrou RGM2	-	25	35	47	60	87	-	-	-
		Verrou RGM/Q	-	-	47	58	72	99	-	-	-
		Attache du tablier + bague RD60	21	31	50	63	76	109	-	-	-
AR/39 AR/39N	40	Verrou RGM2	-	-	30	49	61	86	-	-	-
		Verrou RGM3	-	-	-	-	-	86	115	-	-
		Verrou RGM/Q	24	39	49	66	79	106	-	-	-
	60	Attache du tablier + bague RD40	25	40	51	62	76	103	142	-	-
		Verrou RGM2	-	-	24	35	57	83	-	-	-
		Verrou RGM3	-	-	-	-	-	83	111	143	-
AR/40 AR/40N ARH/40 ARH/40N	40	Verrou RGM2	-	-	-	32	43	66	-	-	-
		Verrou RGM3	-	-	-	-	-	66	93	-	-
		Verrou RGM/Q	19	27	31	41	51	77	92	-	-
	60	Attache du tablier + bague RD40	19	27	36	46	58	73	100	-	-
		Verrou RGM2	-	-	-	26	36	60	-	-	-
		Verrou RGM3	-	-	-	-	-	60	87	105	-
AR/41 AR/41N	40	Verrou RGM4	-	-	-	-	-	-	-	105	-
		Verrou RGM/Q	-	-	28	37	48	73	88	114	-
		Attache du tablier + bague RD60	-	-	31	42	53	69	95	115	-
	60	Verrou RGM2	-	-	-	30	50	76	-	-	-
		Verrou RGM3	-	-	-	-	-	76	-	-	-
		Verrou RGM/Q	18	27	34	44	65	83	-	-	-
AR/45 AR/45N	40	Attache du tablier + bague RD40	19	25	34	44	64	79	-	-	-
		Verrou RGM2	-	-	-	25	44	68	-	-	-
		Verrou RGM3	-	-	-	-	-	68	-	113	-
	60	Verrou RGM4	-	-	-	-	-	-	-	113	-
		Verrou RGM/Q	-	-	35	45	56	81	109	139	-
		Attache du tablier + bague RD60	-	21	30	41	60	86	-	128	-
AR/52 AR/52N	40	Verrou RGM2	-	19	26	36	45	68	-	108	-
		Verrou RGM3	-	19	26	36	45	68	-	108	-
		Verrou RGM/Q	17	22	28	36	46	68	-	-	-
	60	Attache du tablier + bague RD40	17	25	33	42	53	76	-	118	-
		Verrou RGM2	-	13	21	30	40	52	-	112	-
		Verrou RGM3	-	13	21	30	40	52	-	110	-
AR/55 AR/55N ARH/55 ARH/55N	60	Verrou RGM4	-	13	21	30	40	52	-	110	-
		Verrou RGM/Q	-	-	26	34	44	66	90	118	-
		Attache du tablier + bague RD60	-	20	28	38	52	74	-	124	-
	70	Attache du tablier + bague RD60	-	-	-	31	39	51	62	75	104
		Verrou	-	-	-	26	28	45	57	69	-
		Verrou RGM/Q + bague RD60	-	-	-	27	34	49	60	73	-
AR/55 AR/55N ARH/55 ARH/55N	60	Attache du tablier + bague RD70	-	-	-	26	35	48	60	76	114
		Verrou	-	-	-	21	22	40	52	64	105
		Verrou RG2	-	-	-	-	21	33	-	-	-
	70	Verrou RG3	-	-	-	-	-	33	44	54	89
		Verrou RG4	-	-	-	-	-	-	-	54	89
		Verrou RGM/Q + bague RD60	-	-	-	19	29	39	55	66	-
AR/55 AR/55N ARH/55 ARH/55N	60	Attache du tablier + bague RD60	-	-	-	-	19	35	45	57	85
		Verrou RG3	-	-	-	-	-	22	42	-	-
		Verrou RG3	-	-	-	-	-	22	42	53	81
	70	Verrou RG4	-	-	-	-	-	-	-	53	81
		Verrou RG4	-	-	-	-	-	-	-	53	81
		Attache du tablier + bague RD70	-	-	-	-	-	35	47	58	85

CARACTÉRISTIQUES D'ENROULEMENT (ON NE PREND PAS EN CONSIDÉRATION LA LAME FINALE DANS LES CARACTÉRISTIQUES D'ENROULEMENT)

Type de lame, Référence	Tube, mm	Pièces d'attache du tablier	Caisson								
			125	137	150	165	180	205	230	250	300
			Nombre maximale de lames, pièces								
AR/55m AR/55mN	60	Verrou RGM2	-	-	12	19	27	45	57	68	122
		Verrou RGM3	-	-	-	-	-	45	57	68	122
		Verrou RGM4	-	-	-	-	-	-	-	68	122
		Verrou RGM/Q + bague RD60	-	-	-	18	26	44	64	78	-
		Attache du tablier + bague RD60	-	-	11	18	27	43	63	76	117
	70	Verrou RGM2	-	-	-	14	22	31	41	-	-
		Verrou RGM3	-	-	-	-	-	31	41	73	116
		Verrou RGM4	-	-	-	-	-	-	-	73	116
Attache du tablier + bague RD70	-	-	17	23	35	50	66	79	126		
AR/555 AR/555N	60	Verrou RG2	-	-	-	-	26	35	56	68	102
		Verrou RG3	-	-	-	-	-	-	56	68	102
		Verrou RG4	-	-	-	-	-	-	-	68	102
		Verrou RGM/Q + bague RD60	-	-	-	19	29	39	55	66	-
		Attache du tablier + bague RD60	-	-	-	-	32	42	53	68	103
	70	Verrou RG2	-	-	-	-	21	30	41	63	96
		Verrou RG3	-	-	-	-	-	30	41	63	96
		Verrou RG4	-	-	-	-	-	-	-	63	98
Attache du tablier + bague RD70	-	-	-	-	26	43	53	66	103		
AER42	40	Verrou RGM2	-	-	-	45	56	80	-	-	-
		Verrou RGM3	-	-	-	-	-	80	-	-	-
		Verrou RGM/Q	-	34	50	60	73	107	-	-	-
		Attache du tablier + bague RD40	-	31	47	57	70	105	-	-	-
	60	Verrou RGM2	-	-	-	41	52	88	-	-	-
		Verrou RGM3	-	-	-	-	-	88	-	147	-
		Verrou RGM4	-	-	-	-	-	-	-	147	-
		Verrou RGM/Q	-	-	42	52	65	99	-	-	-
Attache du tablier + bague RD60	-	27	38	53	66	102	-	154	-		
AER44m/S AER44/S	40	AER44F + RD40	-	25	27	35	47	77	-	-	-
		Verrou RGM2	-	-	-	29	39	62	-	-	-
		Verrou RGM3	-	-	-	-	39	62	-	-	-
		Verrou RGM/Q	-	25	34	37	56	70	98	113	-
		Attache du tablier + bague RD40	-	25	27	35	47	77	-	-	-
	60	AER44F + RD60	-	-	29	38	52	73	100	118	-
		Verrou RGM2	-	-	-	24	34	61	92	-	-
		Verrou RGM3	-	-	-	-	-	61	92	109	-
		Verrou RGM4	-	-	-	-	-	-	-	109	-
		Verrou RGM/Q	-	-	31	40	52	66	92	121	-
	Attache du tablier + bague RD60	-	-	22	31	49	73	99	118	-	
	70	AER44F + RD70	-	-	-	-	51	64	91	120	-
Verrou RGM2		-	-	-	-	-	50	80	-	-	
Verrou RGM3		-	-	-	-	-	50	80	104	-	
Verrou RGM4		-	-	-	-	-	-	-	104	-	
Attache du tablier + bague RD70		-	-	-	-	49	64	90	106	-	
102	AER44F + RD102	-	-	-	-	37	62	79	109	166	
	Attache du tablier SS170 + bague RD102	-	-	-	-	33	57	-	97	130	
AER55/S	60	Verrou RG2	-	-	-	13	20	32	-	-	-
		Verrou RG3	-	-	-	-	-	32	45	55	89
		Verrou RG4	-	-	-	-	-	-	-	55	89
		Attache du tablier + bague RD60	-	-	-	12	19	35	48	57	87
	70	Verrou RG2	-	-	-	-	-	30	-	-	-
		Verrou RG3	-	-	-	-	-	30	41	53	82
		Verrou RG4	-	-	-	-	-	-	-	53	82
		Attache du tablier + bague RD70	-	-	-	-	-	32	47	60	92
102	Attache du tablier SS190 + bague RD102	-	-	-	-	-	-	35	46	73	

CARACTÉRISTIQUES D'ENROULEMENT (ON NE PREND PAS EN CONSIDÉRATION LA LAME FINALE DANS LES CARACTÉRISTIQUES D'ENROULEMENT)

Type de lame, Référence	TUBE, mm	Pièces d'attache du tablier	Caisson								
			125	137	150	165	180	205	230	250	300
AER55m/S	60	Verrou RG2	-	-	-	18	26	36	-	-	-
		Verrou RG3	-	-	-	-	-	32	46	67	-
		Verrou RG4	-	-	-	-	-	-	-	-	105
		AER55F/SCR + RD60	-	-	-	18	25	42	52	63	103
		Attache du tablier + bague RD60	-	-	-	22	32	41	60	74	103
	70	Verrou RG2	-	-	-	-	-	30	-	-	-
		Verrou RG3	-	-	-	-	-	30	50	62	101
		Verrou RG4	-	-	-	-	-	-	-	62	101
		AER55F/SCR + RD70	-	-	-	18	26	36	55	67	104
		Attache du tablier + bague RD70	-	-	-	-	-	42	54	65	104
	102	Attache du tablier SS190 + bague RD102	-	-	-	-	-	-	44	56	95

PARAMÈTRES D'ENROULEMENT DU TABLIER AVEC LA MOUSTIQUAIRE INTÉGRÉE

Type de lame, Référence	Type de la joue latérale	TUBE, mm	Pièces d'attache du tablier	Caisson					
				137	150	165	165	180	205
				Tube avec moustiquaire					
				M-TNR1,7	M-TNR1,7	M-TNR1,7	M-TNR2,5	M-TNR2,5	M-TNR2,5
AR/377(N)	Joue latérale standard	40	Verrou RGM2	8	15	24	23	33	78
		60	Attache du tablier + bague RD40	18	33	51	43	63	104
			Verrou RGM2	-	9	27	26	37	74
	Joue latérale avec bosse non centrale	40	Attache du tablier + bague RD60	-	26	45	41	57	98
		60	Verrou RGM2	15	23	33	33	46	-
			Attache du tablier + bague RD40	33	43	64	63	78	-
AR/39(N)	Joue latérale standard	40	Verrou RGM2	8	15	31	30	49	85
		60	Attache du tablier + bague RD40	17	32	50	41	61	-
			Verrou RGM2	-	9	18	17	36	71
	Joue latérale avec bosse non centrale	40	Attache du tablier + bague RD60	-	26	40	39	57	93
		60	Verrou RGM2	14	30	43	40	60	-
			Attache du tablier + bague RD40	31	43	60	60	72	-
AR/40(N)	Joue latérale standard	40	Verrou RGM2	7	8	23	22	32	55
		60	Attache du tablier + bague RD40	12	19	28	28	37	-
			Verrou RGM2	-	9	17	17	27	50
	Joue latérale avec bosse non centrale	40	Attache du tablier + bague RD60	-	15	24	23	34	68
		60	Verrou RGM2	8	23	27	32	43	-
			Attache du tablier + bague RD40	14	27	39	37	48	-
AR/41(N)	Joue latérale standard	40	Verrou RGM2	7	14	22	22	31	63
		60	Attache du tablier + bague RD40	11	19	24	34	40	-
			Verrou RGM2	-	8	17	17	35	69
	Joue latérale avec bosse non centrale	40	Attache du tablier + bague RD60	-	15	31	30	40	74
		60	Verrou RGM2	8	22	33	30	44	-
			Attache du tablier + bague RD40	19	27	44	42	55	-
AR/45(N)	Joue latérale standard	40	Verrou RGM2	-	16	29	25	39	-
		60	Attache du tablier + bague RD60	-	25	42	40	59	-
			Verrou RGM2	6	13	20	20	37	59
	Joue latérale avec bosse non centrale	40	Attache du tablier + bague RD40	11	18	26	26	40	65
		60	Verrou RGM2	-	8	15	15	32	53
			Attache du tablier + bague RD60	-	14	26	24	36	65
AER44/S	Joue latérale standard	40	Verrou RGM2	12	20	31	31	41	-
		60	Attache du tablier + bague RD40	18	26	37	34	48	-
			Verrou RGM2	-	15	23	23	36	-
	Joue latérale avec bosse non centrale	40	Attache du tablier + bague RD60	-	24	34	33	46	-
		60	Verrou RGM2	6	13	21	21	34	61
			Attache du tablier + bague RD40	11	18	27	26	36	67
AER44/S	Joue latérale avec bosse non centrale	40	Verrou RGM2	-	8	19	15	33	56
		60	Attache du tablier + bague RD60	-	14	26	22	34	68
			Verrou RGM2	13	20	30	29	42	-
AER44/S	Joue latérale avec bosse non centrale	40	Attache du tablier + bague RD40	18	26	36	35	45	-
		60	Verrou RGM2	-	15	27	24	37	-
			Attache du tablier + bague RD60	-	22	34	31	45	-

CARACTÉRISTIQUES D'ENROULEMENT (ON NE PREND PAS EN CONSIDÉRATION LA LAME FINALE DANS LES CARACTÉRISTIQUES D'ENROULEMENT)

Type de lame, Référence	Tube, mm	Pièces d'attache du tablier	Caisson				
			165	180	205	250	300
			Nombre maximale de lames, pièces/ Hauteur maximale du tablier, m				
AEG56 AEG56/P	60	Verrou RG	13/0,728	26/1,456	43/2,408	-	-
		SS1901+RD60	28/1,568	36/2,016	54/3,024	-	-
		AEG56F	28/1,568	36/2,016	53/2,968	-	-
	70	Verrou RG	-	22/1,232	39/2,184	62/3,472	103/5,768
		SS1901+RD70	-	39/2,184	51/2,856	83/4,648	117/6,552
		AEG56F	-	39/2,184	49/2,744	83/4,648	116/6,496
	102	SS190	-	-	39/2,184	72/4,032	104/5,824
		AEG56F	-	-	39/2,184	72/4,032	107/5,992
	1 AEG56 (1AEG56/P) + 1 AEG30/S	60	Verrou RG	16/0,688	26/1,118	46/1,978	-
SS1901+RD60			29/1,260	37/1,604	51/2,206	-	-
AEG56F			29/1,260	38/1,634	50/2,150	-	-
70		Verrou RG	-	19/0,830	40/1,720	70/3,010	118/5,074
		SS1901+RD70	-	32/1,376	54/2,322	87/3,754	135/5,818
		AEG56F	-	32/1,376	54/2,322	83/3,582	135/5,818
102		SS190	-	-	40/1,720	82/3,526	122/5,246
		AEG56F	-	-	40/1,720	81/3,496	120/5,160
2 AEG56 (2AEG56/P) + 1 AEG30/S		60	Verrou RG	15/0,710	24/1,136	43/2,044	-
	SS1901+RD60		26/1,248	35/1,674	56/2,668	-	-
	AEG56F		27/1,278	35/1,674	56/2,668	-	-
	70	Verrou RG	-	27/1,278	38/1,816	74/3,520	122/5,792
		SS1901+RD70	-	33/1,562	48/2,272	85/4,032	120/5,680
		AEG56F	-	33/1,562	48/2,272	85/4,032	120/5,680
	102	SS190	-	-	36/1,704	75/3,550	123/5,822
		AEG56F	-	-	36/1,704	73/3,464	121/5,736
	3 AEG56 (3AEG56/P) + 1 AEG30/S	60	Verrou RG	15/0,762	23/1,158	48/2,376	-
SS1901+RD60			27/1,356	37/1,838	52/2,574	-	-
AEG56F			28/1,386	33/1,640	51/2,544	-	-
70		Verrou RG	-	16/0,792	34/1,696	70/3,478	116/5,742
		SS1901+RD70	-	33/1,640	51/2,544	76/3,762	120/5,940
		AEG56F	-	32/1,584	51/2,544	76/3,762	120/5,940
102		SS190	-	-	40/1,980	72/3,564	108/5,346
		AEG56F	-	-	35/1,752	72/3,564	117/5,798
4 AEG56 (4AEG56/P) + 1 AEG30/S		60	Verrou RG	21/1,072	30/1,524	40/2,032	-
	SS1901+RD60		23/1,184	32/1,636	50/2,540	-	-
	AEG56F		23/1,184	32/1,636	50/2,540	-	-
	70	Verrou RG	-	23/1,184	36/1,834	68/3,470	111/5,644
		SS1901+RD70	-	33/1,692	46/2,342	78/3,978	121/6,152
		AEG56F	-	33/1,692	45/2,286	78/3,978	121/6,152
	102	SS190	-	-	41/2,088	68/3,470	112/5,700
		AEG56F	-	-	42/2,144	67/3,414	110/5,588

CARACTÉRISTIQUES D'ENROULEMENT (ON NE PREND PAS EN CONSIDÉRATION LA LAME FINALE DANS LES CARACTÉRISTIQUES D'ENROULEMENT)

Type de lame, Référence	Tube, mm	Pièces d'attache du tablier	Caisson			
			250	300	360	405
			Nombre maximale de lames, pièces/ Hauteur maximale du tablier, m			
AEG84	102	SS190+RD102	30 / 2,520	55 / 4,620	78 / 6,552	–
		AEG84F+RD102	29 / 2,436	54 / 4,536	76 / 6,384	99 / 8,316
3 AEG84 + 1 AEG45/S	102	SS190+RD102	24 / 1,782	43 / 3,232	64 / 4,752	–
		AEG84F+RD102	24 / 1,782	42 / 3,148	64 / 4,752	93 / 6,915
2 AEG84 + 1 AEG45/S	108	AEG84F	–	–	–	97 / 6,900
1 AEG84 + 1 AEG45/S	108	AEG84F	–	–	–	97 / 6,276

Type de lame, Référence	Tube, mm	Pièces d'attache du tablier*	Caisson			
			SB45/250	SB45/300	SB45/360	SB45/405
			Nombre maximale de lames, pièces			
AG/77 AG/77H	70	Verrou RG3/Verrou RG4	20	38	–	–
		Attache du tablier + bague RD70	25	36	59	75
		Lame de fixation AEG77F + bague RDS70/77	22	37	59	80
		SS190RDS + bague RDS70/77	22	36	59	77
	102	Attache du tablier SS190 + bague RD102	20	31	53	78
		Lame de fixation AEG84F + bague RD102	14	31	53	67
	108	Attache du tablier SS190 + bague RD102	–	–	–	78
		Lame de fixation AEG84F + bague RD102	–	–	–	77

* Pour améliorer le fonctionnement des portes enroulables il est conseillé de fixer le tablier au tube par la lame AEG84F avec des anneaux.

WINDING PARAMETERS OF ROLLER SHUTTER CURTAINS (END SLAT IS NOT TAKEN INTO ACCOUNT IN THE GIVEN WINDING PARAMETERS)

Type of profile, article	Tube size, mm	Accessories	Shutter box								
			125	137	150	165	180	205	230	250	300
			Max. number of slats, pcs								
AR/377 AR/377N	40	Security lock RGM2	-	21	30	40	52	77	-	-	-
		Security lock RGM/Q	24	39	54	68	89	109	-	-	-
		Retainer spring + ring RD40	27	42	53	73	87	118	-	-	-
	60	Security lock RGM2	-	25	35	47	60	87	-	-	-
		Security lock RGM/Q	-	-	47	58	72	99	-	-	-
		Retainer spring + ring RD60	21	31	50	63	76	109	-	-	-
AR/39 AR/39N	40	Security lock RGM2	-	-	30	49	61	86	-	-	-
		Security lock RGM3	-	-	-	-	-	86	115	-	-
		Security lock RGM/Q	24	39	49	66	79	106	-	-	-
		Retainer spring + ring RD40	25	40	51	62	76	103	142	-	-
	60	Security lock RGM2	-	-	24	35	57	83	-	-	-
		Security lock RGM3	-	-	-	-	-	83	111	143	-
AR/40 AR/40N ARH/40 ARH/40N	40	Security lock RGM2	-	-	-	32	43	66	-	-	-
		Security lock RGM3	-	-	-	-	-	66	93	-	-
		Security lock RGM/Q	19	27	31	41	51	77	92	-	-
		Retainer spring + ring RD40	19	27	36	46	58	73	100	-	-
	60	Security lock RGM2	-	-	-	26	36	60	-	-	-
		Security lock RGM3	-	-	-	-	-	60	87	105	-
AR/41 AR/41N	40	Security lock RGM2	-	-	-	30	50	76	-	-	-
		Security lock RGM3	-	-	-	-	-	76	-	-	-
		Security lock RGM/Q	18	27	34	44	65	83	-	-	-
		Retainer spring + ring RD40	19	25	34	44	64	79	-	-	-
	60	Security lock RGM2	-	-	-	25	44	68	-	-	-
		Security lock RGM3	-	-	-	-	-	68	-	113	-
AR/45 AR/45N	40	Security lock RGM4	-	-	-	-	-	-	-	113	-
		Security lock RGM/Q	-	-	35	45	56	81	109	139	-
		Retainer spring + ring RD60	-	21	30	41	60	86	-	128	-
		Security lock RGM2	-	19	26	36	45	68	-	108	-
	60	Security lock RGM3	-	19	26	36	45	68	-	108	-
		Security lock RGM/Q	17	22	28	36	46	68	-	-	-
AR/52 AR/52N	60	Retainer spring + ring RD40	17	25	33	42	53	76	-	118	-
		Security lock RGM2	-	13	21	30	40	52	-	112	-
		Security lock RGM3	-	13	21	30	40	52	-	110	-
		Security lock RGM4	-	13	21	30	40	52	-	110	-
	70	Security lock RGM/Q	-	-	26	34	44	66	90	118	-
		Retainer spring + ring RD60	-	20	28	38	52	74	-	124	-
AR/55 AR/55N ARH/55 ARH/55N	60	Retainer spring + ring RD60	-	-	-	31	39	51	62	75	104
		Security lock	-	-	-	26	28	45	57	69	-
		Security lock RGM/Q + ring RD60	-	-	-	27	34	49	60	73	-
		Retainer spring + ring RD70	-	-	-	26	35	48	60	76	114
	70	Security lock	-	-	-	21	22	40	52	64	105
		Security lock RG2	-	-	-	-	21	33	-	-	-
AR/55 AR/55N ARH/55 ARH/55N	60	Security lock RG3	-	-	-	-	-	33	44	54	89
		Security lock RG4	-	-	-	-	-	-	-	54	89
		Retainer spring + ring RD60	-	-	-	-	19	35	45	57	85
		Security lock RG3	-	-	-	-	-	22	42	-	-
	70	Security lock RG3	-	-	-	-	-	22	42	53	81
		Security lock RG4	-	-	-	-	-	-	-	53	81
		Retainer spring + ring RD70	-	-	-	-	-	35	47	58	85

WINDING PARAMETERS OF ROLLER SHUTTER CURTAINS (END SLAT IS NOT TAKEN INTO ACCOUNT IN THE GIVEN WINDING PARAMETERS)

Type of profile, article	Tube size, mm	Accessories	Shutter box								
			125	137	150	165	180	205	230	250	300
			Max. number of slats, pcs								
AR/55m AR/55mN	60	Security lock RGM2	-	-	12	19	27	45	57	68	122
		Security lock RGM3	-	-	-	-	-	45	57	68	122
		Security lock RGM4	-	-	-	-	-	-	-	68	122
		Security lock RGM/Q + ring RD60	-	-	-	18	26	44	64	78	-
	Retainer spring + ring RD60	-	-	11	18	27	43	63	76	117	
	70	Security lock RGM2	-	-	-	14	22	31	41	-	-
		Security lock RGM3	-	-	-	-	-	31	41	73	116
		Security lock RGM4	-	-	-	-	-	-	-	73	116
Retainer spring + ring RD70		-	-	17	23	35	50	66	79	126	
AR/555 AR/555N	60	Security lock RG2	-	-	-	-	26	35	56	68	102
		Security lock RG3	-	-	-	-	-	-	56	68	102
		Security lock RG4	-	-	-	-	-	-	-	68	102
		Security lock RGM/Q + ring RD60	-	-	-	19	29	39	55	66	-
	Retainer spring + ring RD60	-	-	-	-	32	42	53	68	103	
	70	Security lock RG2	-	-	-	-	21	30	41	63	96
		Security lock RG3	-	-	-	-	-	30	41	63	96
		Security lock RG4	-	-	-	-	-	-	-	63	98
Retainer spring + ring RD70		-	-	-	-	26	43	53	66	103	
AER42	40	Security lock RGM2	-	-	-	45	56	80	-	-	-
		Security lock RGM3	-	-	-	-	-	80	-	-	-
		Security lock RGM/Q	-	34	50	60	73	107	-	-	-
		Retainer spring + ring RD40	-	31	47	57	70	105	-	-	-
	60	Security lock RGM2	-	-	-	41	52	88	-	-	-
		Security lock RGM3	-	-	-	-	-	88	-	147	-
		Security lock RGM4	-	-	-	-	-	-	-	147	-
		Security lock RGM/Q	-	-	42	52	65	99	-	-	-
Retainer spring + ring RD60	-	27	38	53	66	102	-	154	-		
AER44m/S AER44/S	40	AER44F + RD40	-	25	27	35	47	77	-	-	-
		Security lock RGM2	-	-	-	29	39	62	-	-	-
		Security lock RGM3	-	-	-	-	39	62	-	-	-
		Security lock RGM/Q	-	25	34	37	56	70	98	113	-
	Retainer spring + ring RD40	-	25	27	35	47	77	-	-	-	
	60	AER44F + RD60	-	-	29	38	52	73	100	118	-
		Security lock RGM2	-	-	-	24	34	61	92	-	-
		Security lock RGM3	-	-	-	-	-	61	92	109	-
		Security lock RGM4	-	-	-	-	-	-	-	109	-
	Security lock RGM/Q	-	-	31	40	52	66	92	121	-	
	Retainer spring + ring RD60	-	-	22	31	49	73	99	118	-	
	70	AER44F + RD70	-	-	-	-	51	64	91	120	-
Security lock RGM2		-	-	-	-	-	50	80	-	-	
Security lock RGM3		-	-	-	-	-	50	80	104	-	
Security lock RGM4		-	-	-	-	-	-	-	104	-	
Retainer spring + ring RD70	-	-	-	-	49	64	90	106	-		
102	AER44F + RD102	-	-	-	-	37	62	79	109	166	
	Retainer spring SS170 + ring RD102	-	-	-	-	33	57	-	97	130	
AER55/S	60	Security lock RG2	-	-	-	13	20	32	-	-	-
		Security lock RG3	-	-	-	-	-	32	45	55	89
		Security lock RG4	-	-	-	-	-	-	-	55	89
		Retainer spring + ring RD60	-	-	-	12	19	35	48	57	87
	70	Security lock RG2	-	-	-	-	-	30	-	-	-
		Security lock RG3	-	-	-	-	-	30	41	53	82
		Security lock RG4	-	-	-	-	-	-	-	53	82
		Retainer spring + ring RD70	-	-	-	-	-	32	47	60	92
102	Retainer spring SS190 + ring RD102	-	-	-	-	-	-	35	46	73	

WINDING PARAMETERS OF ROLLER SHUTTER CURTAINS (END SLAT IS NOT TAKEN INTO ACCOUNT IN THE GIVEN WINDING PARAMETERS)

Type of profile, article	Tube size, mm	Accessories	Shutter box								
			125	137	150	165	180	205	230	250	300
			Max. number of slats, pcs								
AER55m/S	60	Security lock RG2	-	-	-	18	26	36	-	-	-
		Security lock RG3	-	-	-	-	-	32	46	67	-
		Security lock RG4	-	-	-	-	-	-	-	-	105
		AER55F/SCR + RD60	-	-	-	18	25	42	52	63	103
		Retainer spring + ring RD60	-	-	-	22	32	41	60	74	103
	70	Security lock RG2	-	-	-	-	-	30	-	-	-
		Security lock RG3	-	-	-	-	-	30	50	62	101
		Security lock RG4	-	-	-	-	-	-	-	62	101
		AER55F/SCR + RD70	-	-	-	18	26	36	55	67	104
		Retainer spring + ring RD70	-	-	-	-	-	42	54	65	104
102	Retainer spring SS190 + ring RD102	-	-	-	-	-	-	44	56	95	

WINDING PARAMETERS OF THE CURTAIN WITH INTEGRATED INSECT SCREEN

Type of profile, article	End cap type	Tube size, mm	Accessories	Shutter box					
				137	150	165	165	180	205
				Tube with insect screen					
				M-TNR1,7	M-TNR1,7	M-TNR1,7	M-TNR2,5	M-TNR2,5	M-TNR2,5
Max. number of slats, pcs									
AR/377(N)	Standard end cap	40	Security lock RGM2	8	15	24	23	33	78
		60	Retainer spring + ring RD40	18	33	51	43	63	104
		60	Security lock RGM2	-	9	27	26	37	74
	End cap with non centered pin	40	Retainer spring + ring RD60	-	26	45	41	57	98
		60	Security lock RGM2	15	23	33	33	46	-
		60	Retainer spring + ring RD40	33	43	64	63	78	-
AR/39(N)	Standard end cap	40	Security lock RGM2	8	15	31	30	49	85
		60	Retainer spring + ring RD40	17	32	50	41	61	-
		60	Security lock RGM2	-	9	18	17	36	71
	End cap with non centered pin	40	Retainer spring + ring RD60	-	26	40	39	57	93
		60	Security lock RGM2	14	30	43	40	60	-
		60	Retainer spring + ring RD40	31	43	60	60	72	-
AR/40(N)	Standard end cap	40	Security lock RGM2	7	8	23	22	32	55
		60	Retainer spring + ring RD40	12	19	28	28	37	-
		60	Security lock RGM2	-	9	17	17	27	50
	End cap with non centered pin	40	Retainer spring + ring RD60	-	15	24	23	34	68
		60	Security lock RGM2	8	23	27	32	43	-
		60	Retainer spring + ring RD40	14	27	39	37	48	-
AR/41(N)	Standard end cap	40	Security lock RGM2	-	9	26	26	36	-
		60	Retainer spring + ring RD60	-	23	37	32	45	-
		60	Security lock RGM2	7	14	22	22	31	63
	End cap with non centered pin	40	Retainer spring + ring RD40	11	19	24	34	40	-
		60	Security lock RGM2	-	8	17	17	35	69
		60	Retainer spring + ring RD60	-	15	31	30	40	74
AR/45(N)	Standard end cap	40	Security lock RGM2	8	22	33	30	44	-
		60	Retainer spring + ring RD40	19	27	44	42	55	-
		60	Security lock RGM2	-	16	29	25	39	-
	End cap with non centered pin	40	Retainer spring + ring RD60	-	25	42	40	59	-
		60	Security lock RGM2	6	13	20	20	37	59
		60	Retainer spring + ring RD40	11	18	26	26	40	65
AER44/S	Standard end cap	40	Security lock RGM2	-	8	15	15	32	53
		60	Retainer spring + ring RD60	-	14	26	24	36	65
		60	Security lock RGM2	12	20	31	31	41	-
	End cap with non centered pin	40	Retainer spring + ring RD40	18	26	37	34	48	-
		60	Security lock RGM2	-	15	23	23	36	-
		60	Retainer spring + ring RD60	-	24	34	33	46	-
AER44/S	Standard end cap	40	Security lock RGM2	6	13	21	21	34	61
		60	Retainer spring + ring RD40	11	18	27	26	36	67
		60	Security lock RGM2	-	8	19	15	33	56
	End cap with non centered pin	40	Retainer spring + ring RD60	-	14	26	22	34	68
		60	Security lock RGM2	13	20	30	29	42	-
		60	Retainer spring + ring RD40	18	26	36	35	45	-
AER44/S	End cap with non centered pin	40	Security lock RGM2	-	15	27	24	37	-
		60	Retainer spring + ring RD60	-	22	34	31	45	-

WINDING PARAMETERS OF ROLLER SHUTTER CURTAINS (END SLAT IS NOT TAKEN INTO ACCOUNT IN THE GIVEN WINDING PARAMETERS)

Type of profile, article	Tube size, mm	Accessories	Shutter box				
			165	180	205	250	300
			Max. number of slats, pcs/ Max. roller shutter curtain height, m				
AEG56 AEG56/P	60	Security lock RG	13/0,728	26/1,456	43/2,408	-	-
		SS1901+RD60	28/1,568	36/2,016	54/3,024	-	-
		AEG56F	28/1,568	36/2,016	53/2,968	-	-
	70	Security lock RG	-	22/1,232	39/2,184	62/3,472	103/5,768
		SS1901+RD70	-	39/2,184	51/2,856	83/4,648	117/6,552
		AEG56F	-	39/2,184	49/2,744	83/4,648	116/6,496
	102	SS190	-	-	39/2,184	72/4,032	104/5,824
		AEG56F	-	-	39/2,184	72/4,032	107/5,992
	1 AEG56 (1AEG56/P) + 1 AEG30/S	60	Security lock RG	16/0,688	26/1,118	46/1,978	-
SS1901+RD60			29/1,260	37/1,604	51/2,206	-	-
AEG56F			29/1,260	38/1,634	50/2,150	-	-
70		Security lock RG	-	19/0,830	40/1,720	70/3,010	118/5,074
		SS1901+RD70	-	32/1,376	54/2,322	87/3,754	135/5,818
		AEG56F	-	32/1,376	54/2,322	83/3,582	135/5,818
102		SS190	-	-	40/1,720	82/3,526	122/5,246
		AEG56F	-	-	40/1,720	81/3,496	120/5,160
2 AEG56 (2AEG56/P) + 1 AEG30/S		60	Security lock RG	15/0,710	24/1,136	43/2,044	-
	SS1901+RD60		26/1,248	35/1,674	56/2,668	-	-
	AEG56F		27/1,278	35/1,674	56/2,668	-	-
	70	Security lock RG	-	27/1,278	38/1,816	74/3,520	122/5,792
		SS1901+RD70	-	33/1,562	48/2,272	85/4,032	120/5,680
		AEG56F	-	33/1,562	48/2,272	85/4,032	120/5,680
	102	SS190	-	-	36/1,704	75/3,550	123/5,822
		AEG56F	-	-	36/1,704	73/3,464	121/5,736
	3 AEG56 (3AEG56/P) + 1 AEG30/S	60	Security lock RG	15/0,762	23/1,158	48/2,376	-
SS1901+RD60			27/1,356	37/1,838	52/2,574	-	-
AEG56F			28/1,386	33/1,640	51/2,544	-	-
70		Security lock RG	-	16/0,792	34/1,696	70/3,478	116/5,742
		SS1901+RD70	-	33/1,640	51/2,544	76/3,762	120/5,940
		AEG56F	-	32/1,584	51/2,544	76/3,762	120/5,940
102		SS190	-	-	40/1,980	72/3,564	108/5,346
		AEG56F	-	-	35/1,752	72/3,564	117/5,798
4 AEG56 (4AEG56/P) + 1 AEG30/S		60	Security lock RG	21/1,072	30/1,524	40/2,032	-
	SS1901+RD60		23/1,184	32/1,636	50/2,540	-	-
	AEG56F		23/1,184	32/1,636	50/2,540	-	-
	70	Security lock RG	-	23/1,184	36/1,834	68/3,470	111/5,644
		SS1901+RD70	-	33/1,692	46/2,342	78/3,978	121/6,152
		AEG56F	-	33/1,692	45/2,286	78/3,978	121/6,152
	102	SS190	-	-	41/2,088	68/3,470	112/5,700
		AEG56F	-	-	42/2,144	67/3,414	110/5,588

WINDING PARAMETERS OF ROLLER SHUTTER CURTAINS (END SLAT IS NOT TAKEN INTO ACCOUNT IN THE GIVEN WINDING PARAMETERS)

Type of profile, article	Tube size, mm	Accessories	Shutter box			
			250	300	360	405
			Max. number of slats, pcs/ Max. roller shutter curtain height, m			
AEG84	102	SS190+RD102	30 / 2,520	55 / 4,620	78 / 6.552	–
		AEG84F+RD102	29 / 2,436	54 / 4,536	76 / 6.384	99 / 8,316
3 AEG84 + 1 AEG45/S	102	SS190+RD102	24 / 1,782	43 / 3,232	64 / 4,752	–
		AEG84F+RD102	24 / 1,782	42 / 3,148	64 / 4,752	93 / 6,915
2 AEG84 + 1 AEG45/S	108	AEG84F	–	–	–	97 / 6,900
1 AEG84 + 1 AEG45/S	108	AEG84F	–	–	–	97 / 6,276

Type of profile, article	Tube size, mm	Accessories*	Shutter box			
			SB45/250	SB45/300	SB45/360	SB45/405
			Max. number of slats, pcs			
AG/77 AG/77H	70	Security lock RG3/ Security lock RG4	20	38	–	–
		Retainer spring + ring RD70	25	36	59	75
		Retainer profile AEG77F + ring RDS70/77	22	37	59	80
		SS190RDS + ring RDS70/77	22	36	59	77
	102	Retainer spring SS190 + ring RD102	20	31	53	78
		Retainer profile AEG84F + ring RD102	14	31	53	67
	108	Retainer spring SS190 + ring RD102	–	–	–	78
		Retainer profile AEG84F + ring RD102	–	–	–	77

* We recommend using retainer profile AEG84F with adjusting rings as a curtain's fixing to octagonal tube to improve the technical characteristics of roller doors.

PANZER-WICKELWERTE (IN DEN ANGEgebenEN WICKELWERTEN IST DIE SCHLUSSLEISTE NICHT BERÜCKSICHTIGT)

Profil	Welle, mm	Ausstattung	Blendenkasten								
			125	137	150	165	180	205	230	250	300
			Max. Stab-Anzahl, Stk.								
AR/377 AR/377N	40	Hochschiebesicherung RGM2	-	21	30	40	52	77	-	-	-
		Hochschiebesicherung RGM/Q	24	39	54	68	89	109	-	-	-
		Stahlbandaufhänger + Adapterring RD40	27	42	53	73	87	118	-	-	-
	60	Hochschiebesicherung RGM2	-	25	35	47	60	87	-	-	-
		Hochschiebesicherung RGM/Q	-	-	47	58	72	99	-	-	-
		Stahlbandaufhänger + Adapterring RD60	21	31	50	63	76	109	-	-	-
AR/39 AR/39N	40	Hochschiebesicherung RGM2	-	-	30	49	61	86	-	-	-
		Hochschiebesicherung RGM3	-	-	-	-	-	86	115	-	-
		Hochschiebesicherung RGM/Q	24	39	49	66	79	106	-	-	-
	60	Stahlbandaufhänger + Adapterring RD40	25	40	51	62	76	103	142	-	-
		Hochschiebesicherung RGM2	-	-	24	35	57	83	-	-	-
		Hochschiebesicherung RGM3	-	-	-	-	-	83	111	143	-
AR/40 AR/40N ARH/40 ARH/40N	40	Hochschiebesicherung RGM/Q	-	-	45	56	72	99	-	-	-
		Stahlbandaufhänger + Adapterring RD60	-	29	48	59	72	99	128	155	-
		Hochschiebesicherung RGM2	-	-	-	32	43	66	-	-	-
	60	Hochschiebesicherung RGM3	-	-	-	-	-	66	93	-	-
		Hochschiebesicherung RGM/Q	19	27	31	41	51	77	92	-	-
		Stahlbandaufhänger + Adapterring RD40	19	27	36	46	58	73	100	-	-
AR/41 AR/41N	40	Hochschiebesicherung RGM2	-	-	-	26	36	60	-	-	-
		Hochschiebesicherung RGM3	-	-	-	-	-	60	87	105	-
		Hochschiebesicherung RGM/Q	-	-	-	-	-	-	-	105	-
	60	Hochschiebesicherung RGM/Q	-	-	28	37	48	73	88	114	-
		Stahlbandaufhänger + Adapterring RD60	-	-	31	42	53	69	95	115	-
		Hochschiebesicherung RGM2	-	-	-	30	50	76	-	-	-
AR/45 AR/45N	40	Hochschiebesicherung RGM3	-	-	-	-	-	76	-	-	-
		Hochschiebesicherung RGM/Q	18	27	34	44	65	83	-	-	-
		Stahlbandaufhänger + Adapterring RD40	19	25	34	44	64	79	-	-	-
	60	Hochschiebesicherung RGM2	-	-	-	25	44	68	-	-	-
		Hochschiebesicherung RGM3	-	-	-	-	-	68	-	113	-
		Hochschiebesicherung RGM4	-	-	-	-	-	-	-	113	-
AR/52 AR/52N	60	Hochschiebesicherung RGM/Q	-	-	35	45	56	81	109	139	-
		Stahlbandaufhänger + Adapterring RD60	-	21	30	41	60	86	-	128	-
		Hochschiebesicherung RGM2	-	19	26	36	45	68	-	108	-
	70	Hochschiebesicherung RGM3	-	19	26	36	45	68	-	108	-
		Hochschiebesicherung RGM/Q	17	22	28	36	46	68	-	-	-
		Stahlbandaufhänger + Adapterring RD40	17	25	33	42	53	76	-	118	-
AR/55 AR/55N ARH/55 ARH/55N	60	Hochschiebesicherung RGM2	-	13	21	30	40	52	-	112	-
		Hochschiebesicherung RGM3	-	13	21	30	40	52	-	110	-
		Hochschiebesicherung RGM4	-	13	21	30	40	52	-	110	-
	70	Hochschiebesicherung RGM/Q	-	-	26	34	44	66	90	118	-
		Stahlbandaufhänger + Adapterring RD60	-	20	28	38	52	74	-	124	-
		Stahlbandaufhänger + Adapterring RD60	-	-	-	31	39	51	62	75	104
AR/55 AR/55N ARH/55 ARH/55N	60	Hochschiebesicherung RGM/Q + Adapterring RD60	-	-	-	27	34	49	60	73	-
		Hochschiebesicherung	-	-	-	26	28	45	57	69	-
		Stahlbandaufhänger + Adapterring RD70	-	-	-	26	35	48	60	76	114
	70	Hochschiebesicherung	-	-	-	21	22	40	52	64	105
		Hochschiebesicherung RG2	-	-	-	-	21	33	-	-	-
		Hochschiebesicherung RG3	-	-	-	-	-	33	44	54	89
AR/55 AR/55N ARH/55 ARH/55N	60	Hochschiebesicherung RG4	-	-	-	-	-	-	54	89	
		Hochschiebesicherung RGM/Q + Adapterring RD60	-	-	-	19	29	39	55	66	
		Stahlbandaufhänger + Adapterring RD60	-	-	-	-	19	35	45	57	85
	70	Hochschiebesicherung RG3	-	-	-	-	-	22	42	-	-
		Hochschiebesicherung RG3	-	-	-	-	-	22	42	53	81
		Hochschiebesicherung RG4	-	-	-	-	-	-	-	53	81
AR/55 AR/55N ARH/55 ARH/55N	70	Stahlbandaufhänger + Adapterring RD70	-	-	-	-	-	35	47	58	85

PANZER-WICKELWERTE (IN DEN ANGEgebenEN WICKELWERTEN IST DIE SCHLUSSLEISTE NICHT BERÜCKSICHTIGT)

Profil	Welle, mm	Ausstattung	Blendenkasten								
			125	137	150	165	180	205	230	250	300
			Max. Stab-Anzahl, Stk.								
AR/55m AR/55mN	60	Hochschiebesicherung RGM2	-	-	12	19	27	45	57	68	122
		Hochschiebesicherung RGM3	-	-	-	-	-	45	57	68	122
		Hochschiebesicherung RGM4	-	-	-	-	-	-	-	68	122
		Hochschiebesicherung RGM/Q + Adapterring RD60	-	-	-	18	26	44	64	78	-
	70	Stahlbandaufhänger + Adapterring RD60	-	-	11	18	27	43	63	76	117
		Hochschiebesicherung RGM2	-	-	-	14	22	31	41	-	-
		Hochschiebesicherung RGM3	-	-	-	-	-	31	41	73	116
		Hochschiebesicherung RGM4	-	-	-	-	-	-	-	73	116
AR/555 AR/555N	60	Hochschiebesicherung RG2	-	-	-	-	26	35	56	68	102
		Hochschiebesicherung RG3	-	-	-	-	-	-	56	68	102
		Hochschiebesicherung RG4	-	-	-	-	-	-	-	68	102
		Hochschiebesicherung RGM/Q + Adapterring RD60	-	-	-	19	29	39	55	66	-
	70	Stahlbandaufhänger + Adapterring RD60	-	-	-	-	32	42	53	68	103
		Hochschiebesicherung RG2	-	-	-	-	21	30	41	63	96
		Hochschiebesicherung RG3	-	-	-	-	-	30	41	63	96
		Hochschiebesicherung RG4	-	-	-	-	-	-	-	63	98
AER42	40	Stahlbandaufhänger + Adapterring RD70	-	-	-	-	26	43	53	66	103
		Hochschiebesicherung RGM2	-	-	-	45	56	80	-	-	-
		Hochschiebesicherung RGM3	-	-	-	-	-	80	-	-	-
		Hochschiebesicherung RGM/Q	-	34	50	60	73	107	-	-	-
	60	Stahlbandaufhänger + Adapterring RD40	-	31	47	57	70	105	-	-	-
		Hochschiebesicherung RGM2	-	-	-	41	52	88	-	-	-
		Hochschiebesicherung RGM3	-	-	-	-	-	88	-	147	-
		Hochschiebesicherung RGM4	-	-	-	-	-	-	-	147	-
AER44m/S AER44/S	40	Hochschiebesicherung RGM/Q	-	-	42	52	65	99	-	-	-
		Stahlbandaufhänger + Adapterring RD60	-	27	38	53	66	102	-	154	-
		AER44F + RD40	-	25	27	35	47	77	-	-	-
		Hochschiebesicherung RGM2	-	-	-	29	39	62	-	-	-
	60	Hochschiebesicherung RGM3	-	-	-	-	39	62	-	-	-
		Hochschiebesicherung RGM/Q	-	25	34	37	56	70	98	113	-
		Stahlbandaufhänger + Adapterring RD40	-	25	27	35	47	77	-	-	-
		AER44F + RD60	-	-	29	38	52	73	100	118	-
70	Hochschiebesicherung RGM2	-	-	-	24	34	61	92	-	-	
	Hochschiebesicherung RGM3	-	-	-	-	-	61	92	109	-	
	Hochschiebesicherung RGM4	-	-	-	-	-	-	-	109	-	
	Hochschiebesicherung RGM/Q	-	-	31	40	52	66	92	121	-	
102	Stahlbandaufhänger + Adapterring RD60	-	-	22	31	49	73	99	118	-	
	AER44F + RD70	-	-	-	-	51	64	91	120	-	
	Hochschiebesicherung RGM2	-	-	-	-	-	50	80	-	-	
	Hochschiebesicherung RGM3	-	-	-	-	-	50	80	104	-	
AER55/S	60	Hochschiebesicherung RGM4	-	-	-	-	-	-	-	104	-
		Stahlbandaufhänger + Adapterring RD70	-	-	-	-	49	64	90	106	-
		AER44F + RD102	-	-	-	-	37	62	79	109	166
		Stahlbandaufhänger SS170 + Adapterring RD102	-	-	-	-	33	57	-	97	130
	70	Hochschiebesicherung RG2	-	-	-	13	20	32	-	-	-
		Hochschiebesicherung RG3	-	-	-	-	-	32	45	55	89
		Hochschiebesicherung RG4	-	-	-	-	-	-	-	55	89
		Stahlbandaufhänger + Adapterring RD60	-	-	-	12	19	35	48	57	87
102	Hochschiebesicherung RG2	-	-	-	-	-	30	-	-	-	
	Hochschiebesicherung RG3	-	-	-	-	-	30	41	53	82	
	Hochschiebesicherung RG4	-	-	-	-	-	-	-	53	82	
	Stahlbandaufhänger + Adapterring RD70	-	-	-	-	-	32	47	60	92	
102	Stahlbandaufhänger SS190 + Adapterring RD102	-	-	-	-	-	-	35	46	73	

PANZER-WICKELWERTE (IN DEN ANGEgebenEN WICKELWERTEN IST DIE SCHLUSSLEISTE NICHT BERÜCKSICHTIGT)

Profil	Welle, mm	Ausstattung	Blendenkasten								
			125	137	150	165	180	205	230	250	300
			Max. Stab-Anzahl, Stk.								
AER55m/S	60	Hochschiebesicherung RG2	-	-	-	18	26	36	-	-	-
		Hochschiebesicherung RG3	-	-	-	-	-	32	46	67	-
		Hochschiebesicherung RG4	-	-	-	-	-	-	-	-	105
		AER55F/SCR + RD60	-	-	-	18	25	42	52	63	103
		Stahlbandaufhänger + Adapterring RD60	-	-	-	22	32	41	60	74	103
	70	Hochschiebesicherung RG2	-	-	-	-	-	30	-	-	-
		Hochschiebesicherung RG3	-	-	-	-	-	30	50	62	101
		Hochschiebesicherung RG4	-	-	-	-	-	-	-	62	101
		AER55F/SCR + RD70	-	-	-	18	26	36	55	67	104
		Stahlbandaufhänger + Adapterring RD70	-	-	-	-	-	42	54	65	104
102	Stahlbandaufhänger SS190 + Adapterring RD102	-	-	-	-	-	-	44	56	95	

WICKELWERTE FÜR ROLLADENPANZER MIT INTEGRIERTEM INSEKTENSCHUTZGITTER

Profil	Ausstattung	Welle, mm	Ausstattung	Blendenkasten						
				137	150	165	165	180	205	
				Welle mit Insektenschutzgitter						
				M-TNR1,7	M-TNR1,7	M-TNR1,7	M-TNR2,5	M-TNR2,5	M-TNR2,5	
Max. Stab-Anzahl, Stk.										
AR/377(N)	Standard-Blendenkappe	40	Hochschiebesicherung RGM2	8	15	24	23	33	78	
			Stahlbandaufhänger + Adapterring RD40	18	33	51	43	63	104	
		60	Hochschiebesicherung RGM2	-	9	27	26	37	74	
	Blendenkappe mit versetztem Zapfen	40	Hochschiebesicherung RGM2	15	23	33	33	46	-	
			Stahlbandaufhänger + Adapterring RD40	33	43	64	63	78	-	
		60	Hochschiebesicherung RGM2	-	26	41	37	49	-	
AR/39(N)	Standard-Blendenkappe	40	Hochschiebesicherung RGM2	8	15	31	30	49	85	
			Stahlbandaufhänger + Adapterring RD40	17	32	50	41	61	-	
		60	Hochschiebesicherung RGM2	-	9	18	17	36	71	
		Stahlbandaufhänger + Adapterring RD60	-	26	40	39	57	93		
		Blendenkappe mit versetztem Zapfen	40	Hochschiebesicherung RGM2	14	30	43	40	60	-
				Stahlbandaufhänger + Adapterring RD40	31	43	60	60	72	-
	60		Hochschiebesicherung RGM2	-	17	27	26	47	-	
	Stahlbandaufhänger + Adapterring RD60		-	38	54	53	60	-		
	AR/40(N)	Standard-Blendenkappe	40	Hochschiebesicherung RGM2	7	8	23	22	32	55
				Stahlbandaufhänger + Adapterring RD40	12	19	28	28	37	-
			60	Hochschiebesicherung RGM2	-	9	17	17	27	50
		Blendenkappe mit versetztem Zapfen	40	Hochschiebesicherung RGM2	8	23	27	32	43	-
Stahlbandaufhänger + Adapterring RD40				14	27	39	37	48	-	
60			Hochschiebesicherung RGM2	-	9	26	26	36	-	
AR/41(N)	Standard-Blendenkappe	40	Hochschiebesicherung RGM2	7	14	22	22	31	63	
			Stahlbandaufhänger + Adapterring RD40	11	19	24	34	40	-	
		60	Hochschiebesicherung RGM2	-	8	17	17	35	69	
		Stahlbandaufhänger + Adapterring RD60	-	15	31	30	40	74		
		Blendenkappe mit versetztem Zapfen	40	Hochschiebesicherung RGM2	8	22	33	30	44	-
				Stahlbandaufhänger + Adapterring RD40	19	27	44	42	55	-
	60		Hochschiebesicherung RGM2	-	16	29	25	39	-	
	Stahlbandaufhänger + Adapterring RD60		-	25	42	40	59	-		
	AR/45(N)	Standard-Blendenkappe	40	Hochschiebesicherung RGM2	6	13	20	20	37	59
				Stahlbandaufhänger + Adapterring RD40	11	18	26	26	40	65
			60	Hochschiebesicherung RGM2	-	8	15	15	32	53
		Blendenkappe mit versetztem Zapfen	40	Hochschiebesicherung RGM2	12	20	31	31	41	-
Stahlbandaufhänger + Adapterring RD40				18	26	37	34	48	-	
60			Hochschiebesicherung RGM2	-	15	23	23	36	-	
AER44/S	Standard-Blendenkappe	40	Hochschiebesicherung RGM2	6	13	21	21	34	61	
			Stahlbandaufhänger + Adapterring RD40	11	18	27	26	36	67	
		60	Hochschiebesicherung RGM2	-	8	19	15	33	56	
	Blendenkappe mit versetztem Zapfen	40	Stahlbandaufhänger + Adapterring RD60	-	14	26	22	34	68	
			Hochschiebesicherung RGM2	13	20	30	29	42	-	
		60	Stahlbandaufhänger + Adapterring RD40	18	26	36	35	45	-	
			Hochschiebesicherung RGM2	-	15	27	24	37	-	
			Stahlbandaufhänger + Adapterring RD60	-	22	34	31	45	-	

PANZER-WICKELWERTE (IN DEN ANGEgebenEN WICKELWERTEN IST DIE SCHLUSSLEISTE NICHT BERÜCKSICHTIGT)

Profil	Welle, mm	Ausstattung	Blendenkasten				
			SB45/165, SB20/165	SB45/180, SB20/180, SB-P/ QRE/180	SB45/205, SB20/205, SB-P/ QRE/205	SB45/250	SB45/300
			Max. Stab-Anzahl, Stk. / Max. Panzerhöhe, m				
AEG56 AEG56/P	60	Hochschiebesicherung RG	13/0,728	26/1,456	43/2,408	-	-
		SS1901+RD60	28/1,568	36/2,016	54/3,024	-	-
		AEG56F	28/1,568	36/2,016	53/2,968	-	-
	70	Hochschiebesicherung RG	-	22/1,232	39/2,184	62/3,472	103/5,768
		SS1901+RD70	-	39/2,184	51/2,856	83/4,648	117/6,552
		AEG56F	-	39/2,184	49/2,744	83/4,648	116/6,496
	102	SS190	-	-	39/2,184	72/4,032	104/5,824
		AEG56F	-	-	39/2,184	72/4,032	107/5,992
1 AEG56 (1AEG56/P) + 1 AEG30/S	60	Hochschiebesicherung RG	16/0,688	26/1,118	46/1,978	-	-
		SS1901+RD60	29/1,260	37/1,604	51/2,206	-	-
		AEG56F	29/1,260	38/1,634	50/2,150	-	-
	70	Hochschiebesicherung RG	-	19/0,830	40/1,720	70/3,010	118/5,074
		SS1901+RD70	-	32/1,376	54/2,322	87/3,754	135/5,818
		AEG56F	-	32/1,376	54/2,322	83/3,582	135/5,818
	102	SS190	-	-	40/1,720	82/3,526	122/5,246
		AEG56F	-	-	40/1,720	81/3,496	120/5,160
2 AEG56 (2AEG56/P) + 1 AEG30/S	60	Hochschiebesicherung RG	15/0,710	24/1,136	43/2,044	-	-
		SS1901+RD60	26/1,248	35/1,674	56/2,668	-	-
		AEG56F	27/1,278	35/1,674	56/2,668	-	-
	70	Hochschiebesicherung RG	-	27/1,278	38/1,816	74/3,520	122/5,792
		SS1901+RD70	-	33/1,562	48/2,272	85/4,032	120/5,680
		AEG56F	-	33/1,562	48/2,272	85/4,032	120/5,680
	102	SS190	-	-	36/1,704	75/3,550	123/5,822
		AEG56F	-	-	36/1,704	73/3,464	121/5,736
3 AEG56 (3AEG56/P) + 1 AEG30/S	60	Hochschiebesicherung RG	15/0,762	23/1,158	48/2,376	-	-
		SS1901+RD60	27/1,356	37/1,838	52/2,574	-	-
		AEG56F	28/1,386	33/1,640	51/2,544	-	-
	70	Hochschiebesicherung RG	-	16/0,792	34/1,696	70/3,478	116/5,742
		SS1901+RD70	-	33/1,640	51/2,544	76/3,762	120/5,940
		AEG56F	-	32/1,584	51/2,544	76/3,762	120/5,940
	102	SS190	-	-	40/1,980	72/3,564	108/5,346
		AEG56F	-	-	35/1,752	72/3,564	117/5,798
4 AEG56 (4AEG56/P) + 1 AEG30/S	60	Hochschiebesicherung RG	21/1,072	30/1,524	40/2,032	-	-
		SS1901+RD60	23/1,184	32/1,636	50/2,540	-	-
		AEG56F	23/1,184	32/1,636	50/2,540	-	-
	70	Hochschiebesicherung RG	-	23/1,184	36/1,834	68/3,470	111/5,644
		SS1901+RD70	-	33/1,692	46/2,342	78/3,978	121/6,152
		AEG56F	-	33/1,692	45/2,286	78/3,978	121/6,152
	102	SS190	-	-	41/2,088	68/3,470	112/5,700
		AEG56F	-	-	42/2,144	67/3,414	110/5,588

PANZER-WICKELWERTE (IN DEN ANGEgebenEN WICKELWERTEN IST DIE SCHLUSSLEISTE NICHT BERÜCKSICHTIGT)

Profil	Welle, mm	Ausstattung	Blendenkasten			
			SB45/250	SB45/300	SB45/360	SB45/405
			Max. Stab-Anzahl, Stk. / Max. Panzerhöhe, m			
AEG84	102	SS190+RD102	30 / 2,520	55 / 4,620	78 / 6,552	–
		AEG84F+RD102	29 / 2,436	54 / 4,536	76 / 6,384	99 / 8,316
3 AEG84 + 1 AEG45/S	102	SS190+RD102	24 / 1,782	43 / 3,232	64 / 4,752	–
		AEG84F+RD102	24 / 1,782	42 / 3,148	64 / 4,752	93 / 6,915
2 AEG84 + 1 AEG45/S	108	AEG84F	–	–	–	97 / 6,900
1 AEG84 + 1 AEG45/S	108	AEG84F	–	–	–	97 / 6, 276

Profil	Welle, mm	Ausstattung*	Blendenkasten			
			SB45/250	SB45/300	SB45/360	SB45/405
			Max. Stab-Anzahl, Stk.			
AG/77 AG/77H	70	Hochschiebesicherung RG3/ Hochschiebesicherung RG4	20	38	–	–
		Stahlbandaufhänger + Adapterring RD70	25	36	59	75
		Befestigungsleiste AEG77F + Adapterring RDS70/77	22	37	59	80
		SS190RDS + Adapter- ring RDS70/77	22	36	59	77
	102	Stahlbandaufhänger SS190 + Adapterring RD102	20	31	53	78
		Befestigungsleiste AEG84F + Adapterring RD102	14	31	53	67
	108	Stahlbandaufhänger SS190 + Adapterring RD102	–	–	–	78
		Befestigungsleiste AEG84F + Adapterring RD102	–	–	–	77

* Bei Panzeraufhängung ist es empfohlen zur Verbesserung der Funktion des Rollltores das Befestigungsprofil AEG84F mit Adapterringen zu verwenden.

CHOIX DU TUBE

CHOIX DU TUBE SELON LE POIDS DU TABLIER

1. Déterminer le poids du tablier sur la base de ses dimensions et du poids d'un mètre carré de la lame utilisée.

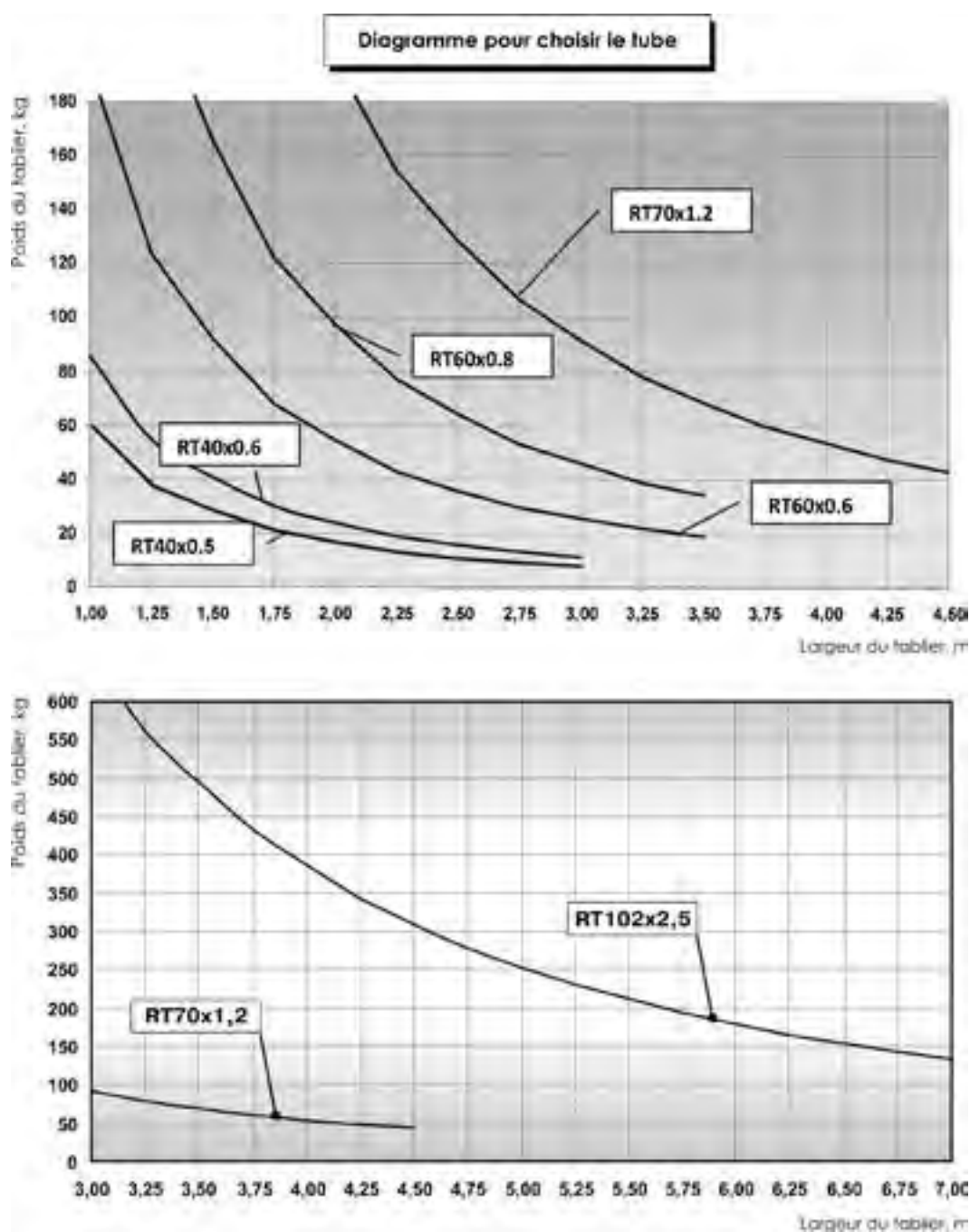
$$Q = b \cdot h \cdot g$$

Q - poids du tablier (kg) ;

b - largeur du tablier (m) ;

h - hauteur du tablier (m) ;

g - poids d'un mètre carré du tablier (kg/m²)



CHOIX DU TUBE

2. Avec les diagrammes on peut choisir correctement les tubes à utiliser.

Il faut choisir le poids obtenu (Q_n) sur l'axe du poids du tablier et jeter un perpendiculaire sur l'axe x, correspondant au largeur du tablier (**b**) pour trouver le point de croisement.

Tous les tubes situés au-dessus du point de croisement sont compatibles avec les dimensions utilisées.

EXEMPLE

1. Données de base :

Lame - AR/55

Largeur - 3,2 m

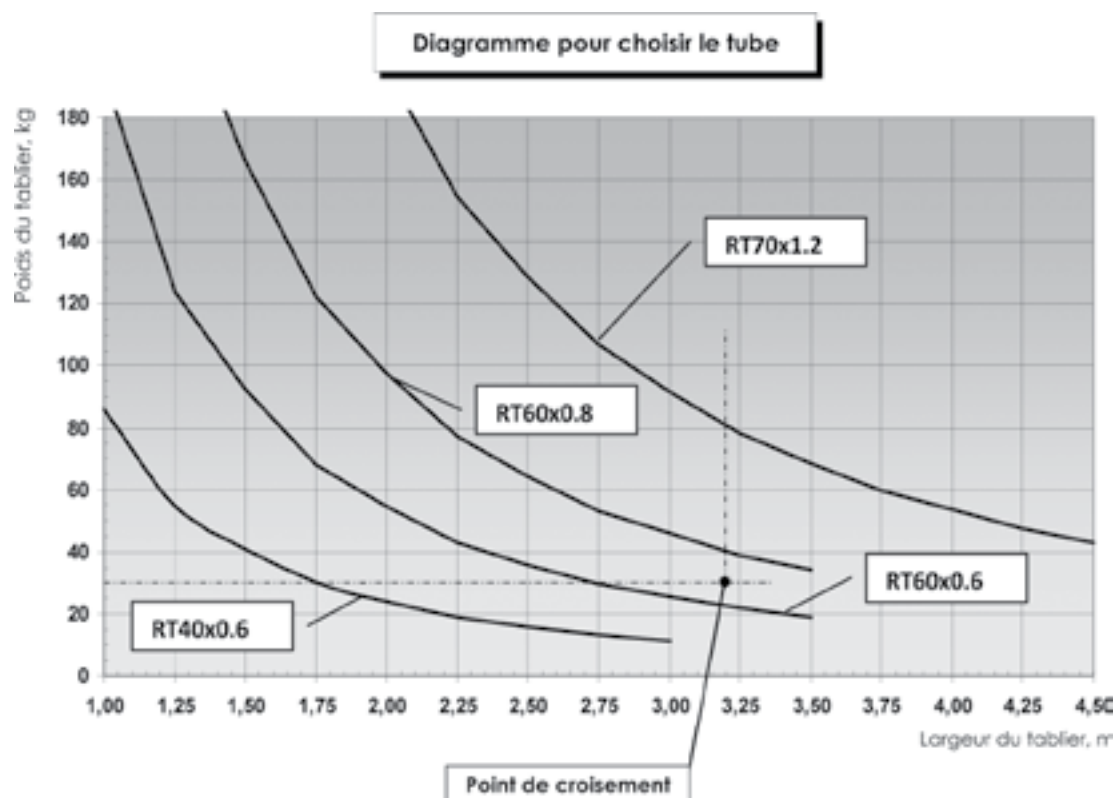
Hauteur - 2,5 m

Poids de 1 m² - 3,73 kg

2. Le poids du tablier

$$Q_n = b \cdot h \cdot g = 3,2 \cdot 2,5 \cdot 3,73 = 29,84 \text{ kg}$$

3. Choisissons les points nécessaires sur le diagramme



4. D'après le diagramme les tubes **RT60x0,8** et **RT70x1,2** peuvent être utilisés. Le choix optimal reste le tube **RT60x0,8**.

METHOD OF OCTAGONAL TUBE SELECTING

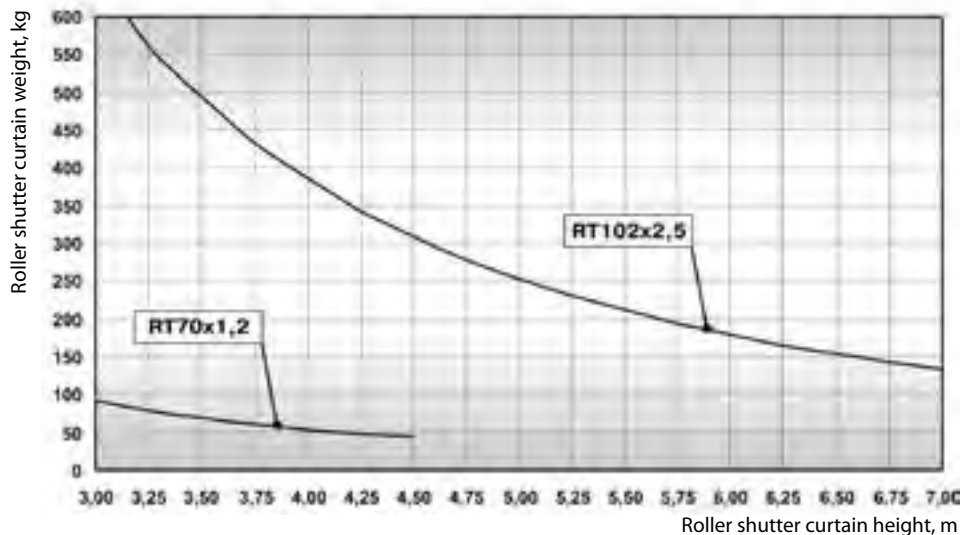
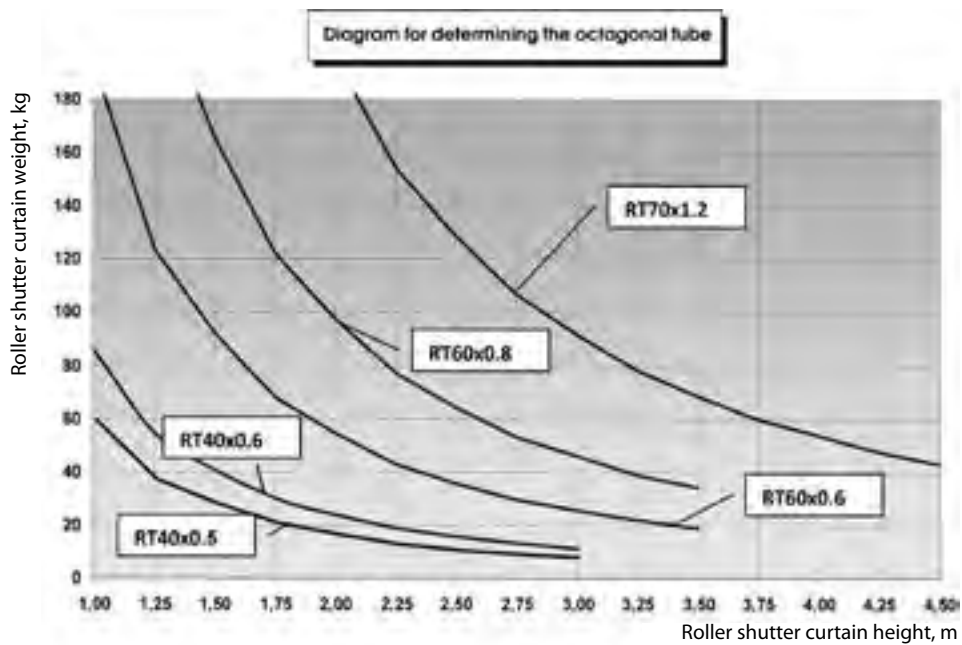
**METHOD OF OCTAGONAL TUBE SELECTING DEPEND-
ING ON ROLLER SHUTTER WEIGHT**

1. In accordance with the overall dimension and the weight per 1 m² of the used profile, calculate weight of the curtain.

$$Q_n = b \cdot h \cdot g$$

where

- Q_n - roller shutter curtain weight (kg)
- b - roller shutter curtain width (m);
- h - roller shutter curtain height (m);
- g - weight per 1 m² of roller shutter curtain (kg/m²)



METHOD OF OCTAGONAL TUBE SELECTING

2. Using the «Diagram for determining the octagonal tube», select the octagonal roll tube.

On the axis «Roller shutter curtain weight» mark the point corresponding to the calculated roller shutter curtain weight (Q_n) and draw a horizontal line. On the axis «Roller shutter curtain width» mark the point corresponding to the curtain width (b) and draw a vertical line.

Mark the point of axis intersection.

In accordance with the diagram, all octagonal tubes are suitable for use, provided their charts are above the intersection.

EXAMPLE OF CALCULATION

1. Initial data:

Profile - AR/55

Width - 3,2 m

Height - 2,5 m

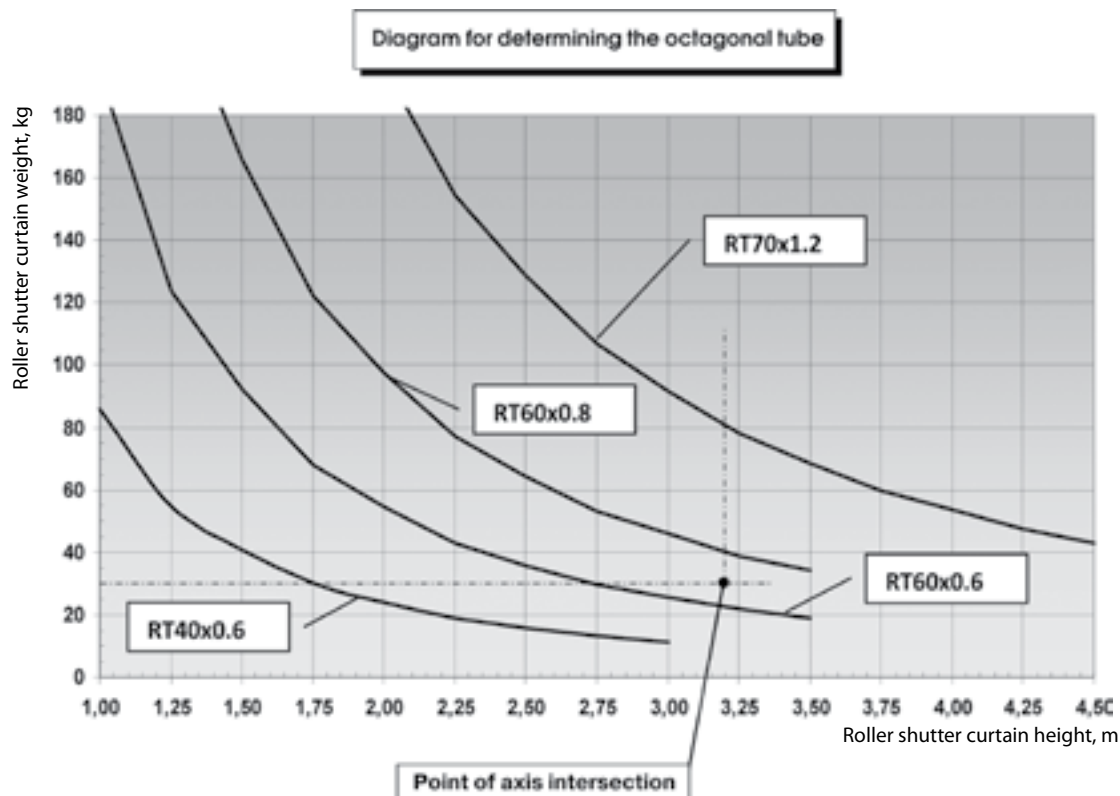
Weight per 1m² - 3,73 kg

2. Calculation:

Calculate the roller shutter curtain weight

$$Q_n = b \cdot h \cdot g = 3,2 \cdot 2,5 \cdot 3,73 = 29,84 \text{ kg}$$

3. Draw horizontal and vertical lines on the diagram.



4. Using the above diagram determine the following octagonal tubes: **RT60x0,8; RT70x1,2**. The optimum alternative for this roller shutter is **RT60x0,8** octagonal tube.

AUSWAHL DER WELLE

AUSWAHL DER WELLE JE NACH GEWICHT DES ROLLADENPANZERS

1. Je nach Abmessungen und Gewicht von 1 m² der Profile ist das Gewicht des Rollladenpanzers zu berechnen:

$$Q_n = b \cdot h \cdot g$$

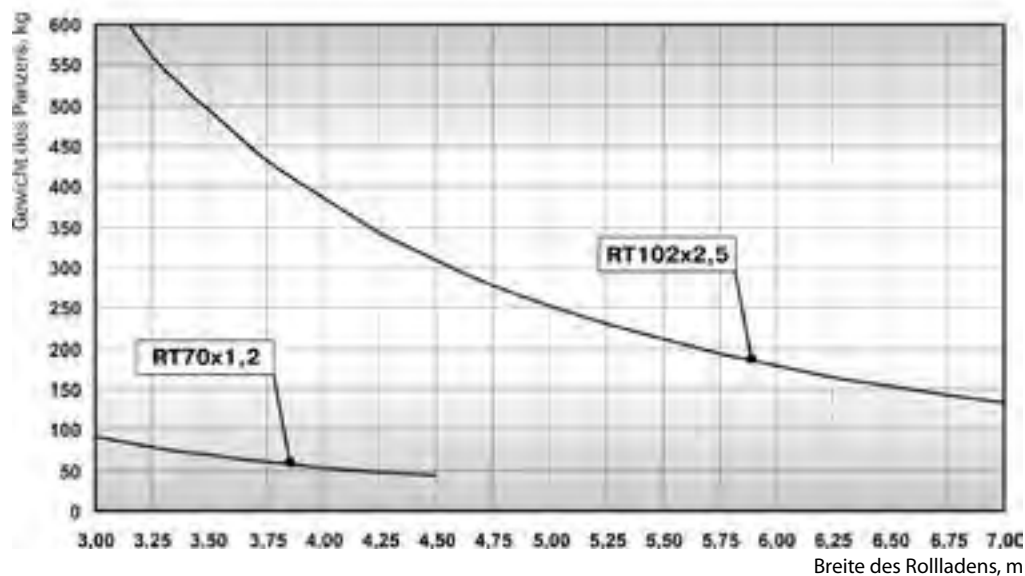
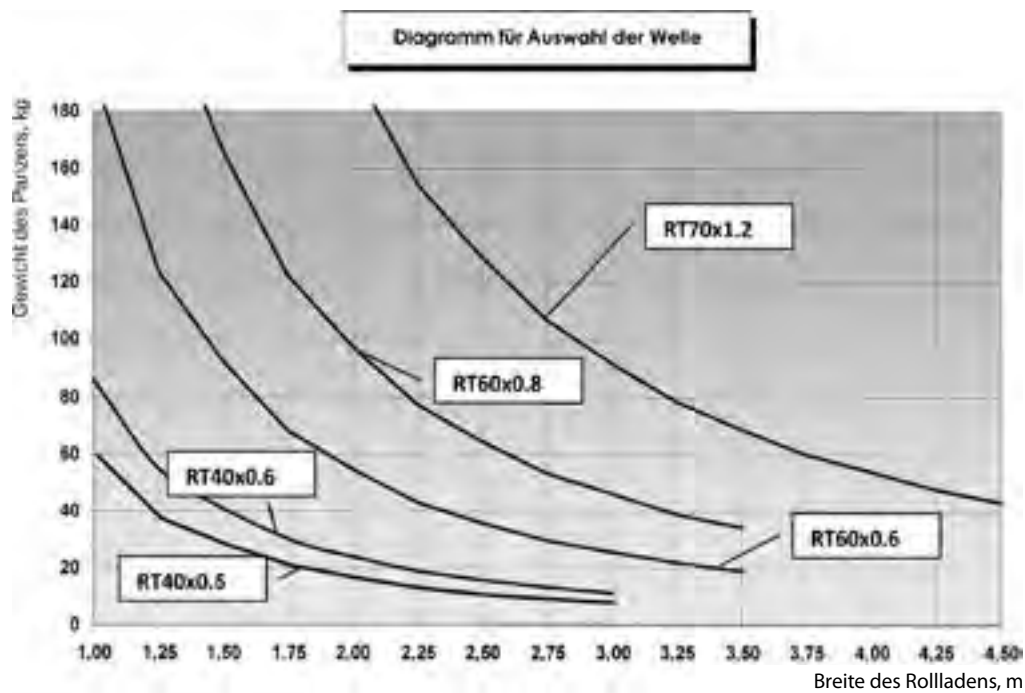
Q_n - Gewicht des Rollladenpanzers (kg)

b - Breite des Rollladenpanzers (m);

h - Höhe des Rollladenpanzers (m);

g - Gewicht von 1m² des Rollladenpanzers (gk/m²)

2. Entsprechend dem Diagramm «Auswahl der Welle» ist die Größe der Achtkantwelle auszuwählen.



AUSWAHL DER WELLE

Auf der Achse «Panzergewicht» ist der Punkt, der dem Gewicht des Panzers (Q_n) entspricht, zu kennzeichnen und eine horizontale Gerade zu ziehen. Auf der Achse «Breite des Rollladens» ist der Punkt, der der Breite des Rollladens (b) entspricht, zu kennzeichnen und eine vertikale Gerade zu ziehen.

Der Punkt, in dem sich die beiden Geraden schneiden, ist zu markieren.

Gemäß Diagramm sind zur Verwendung die Wellen geeignet, deren Werte oberhalb des Kreuzungspunktes liegen.

Beispiel

1. Ausgangsdaten:

Profil - AR/55

Breite - 3,2 m

Höhe - 2,5 m

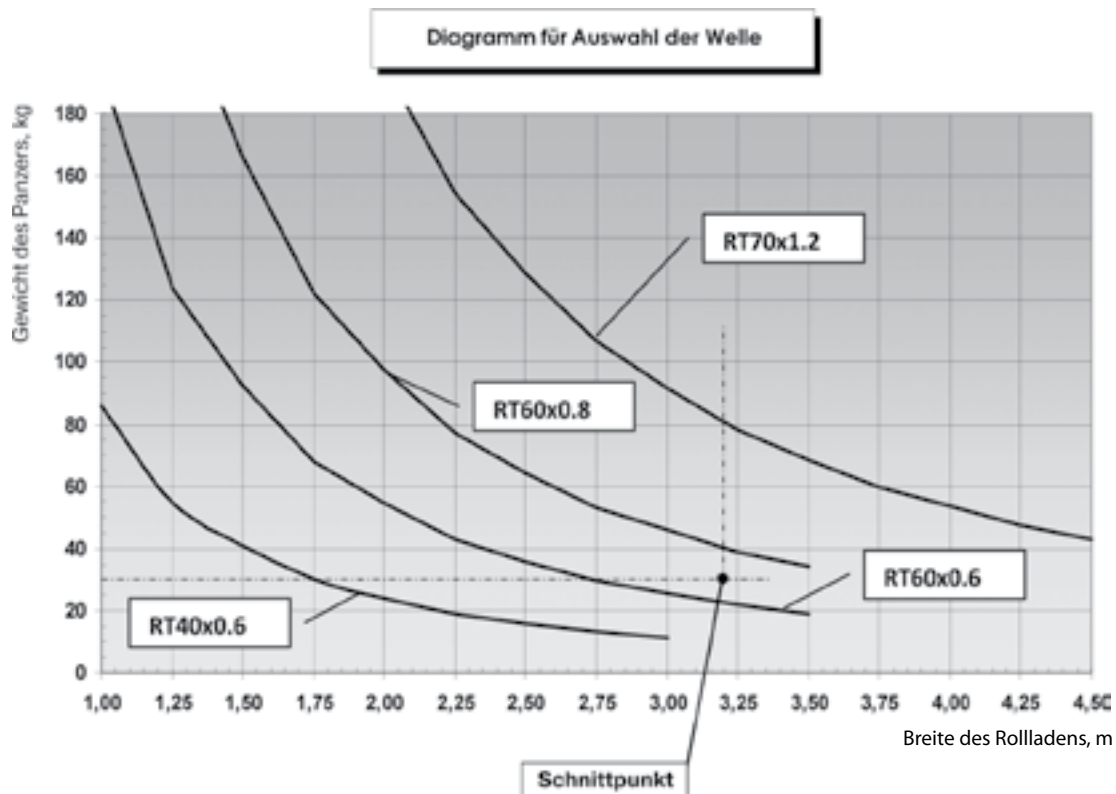
Gewicht von 1m² des Panzers - 3,73 kg

2. Berechnung des Rollladenpanzergewichtes

$$Q_n = b \cdot h \cdot g = 3,2 \cdot 2,5 \cdot 3,73 = 29,84 \text{ kg}$$

3. Aus den gekennzeichneten Punkten ist eine horizontale und eine vertikale Linie zu ziehen.

4. Die Achtkantwellen **RT60x0,8** und **RT70x1,2** lassen sich zusammen mit den genannten Parametern des Rollladenpanzers verwenden. Die Welle **RT60x0,8** ist die optimale Variante.

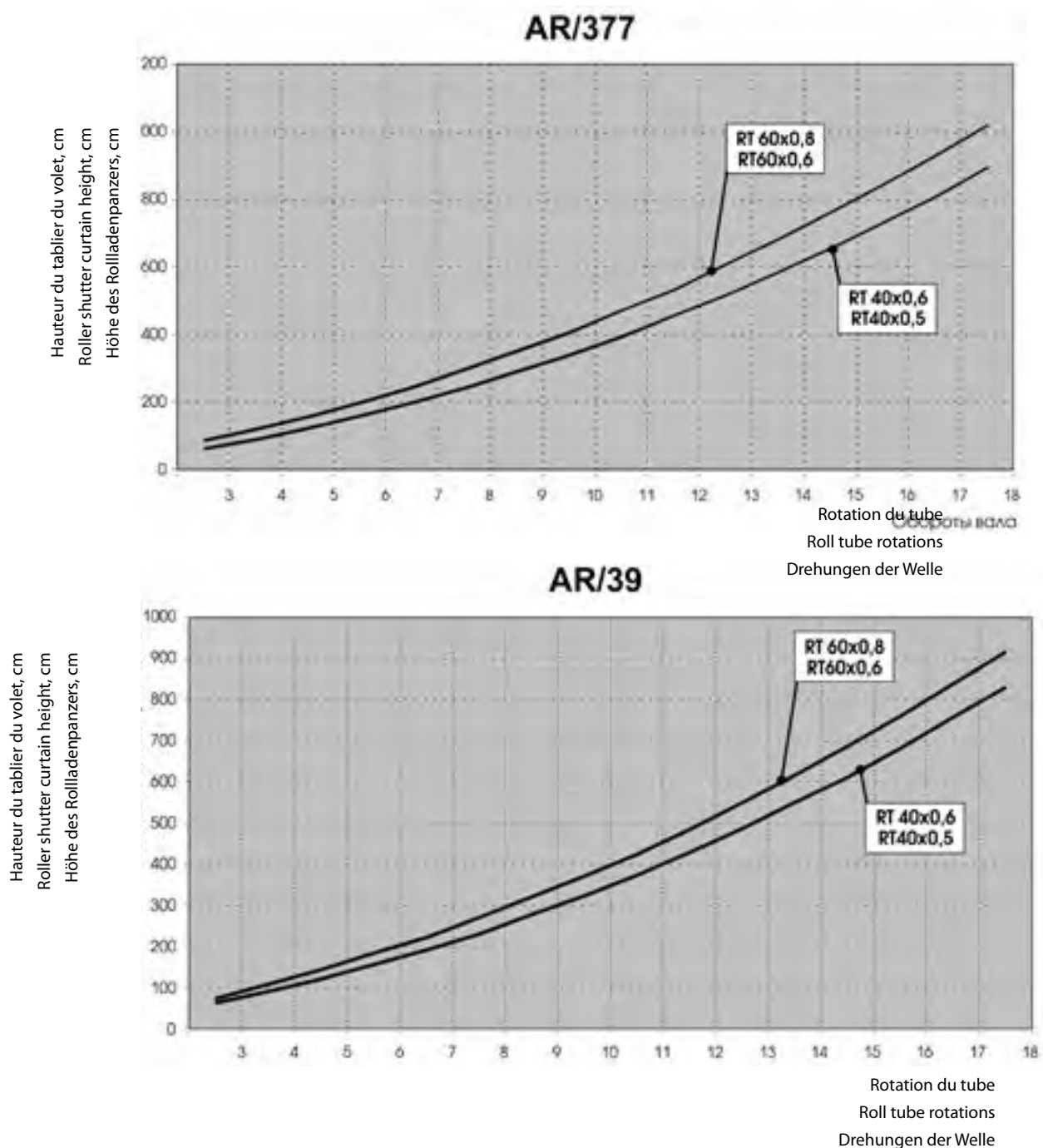


DÉTERMINER LE NOMBRE DE SPIRES DU RESSORT DE TIRAGE DIRECT | DIAGRAMS FOR DETERMINING THE NUMBER OF ROLL TUBE ROTATIONS | DIAGRAMME ZUR BESTIMMUNG DER DREHZAHL

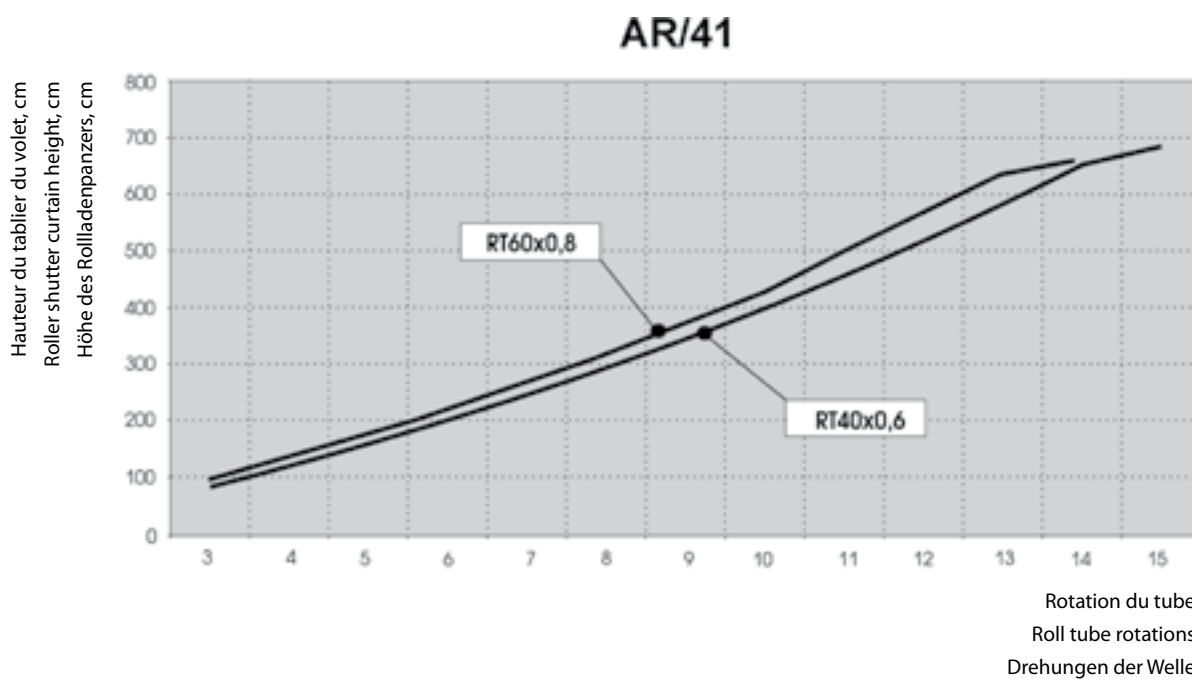
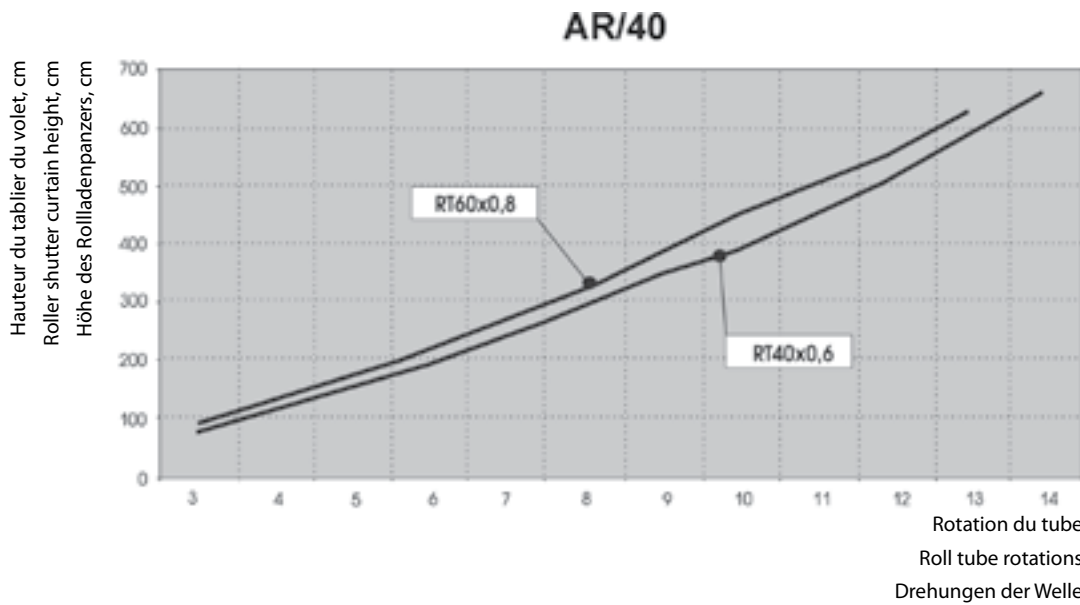
DIAGRAMMES POUR DÉTERMINER LE NOMBRE DE SPIRES DU RESSORT DE TIRAGE DIRECT EN FONCTION DES DIMENSIONS DU TABLIER (pour information)

DIAGRAMS FOR DETERMINING THE NUMBER OF ROLL TUBE ROTATIONS DEPENDING ON ROLLER SHUTTER CURTAIN HEIGHT (informative)

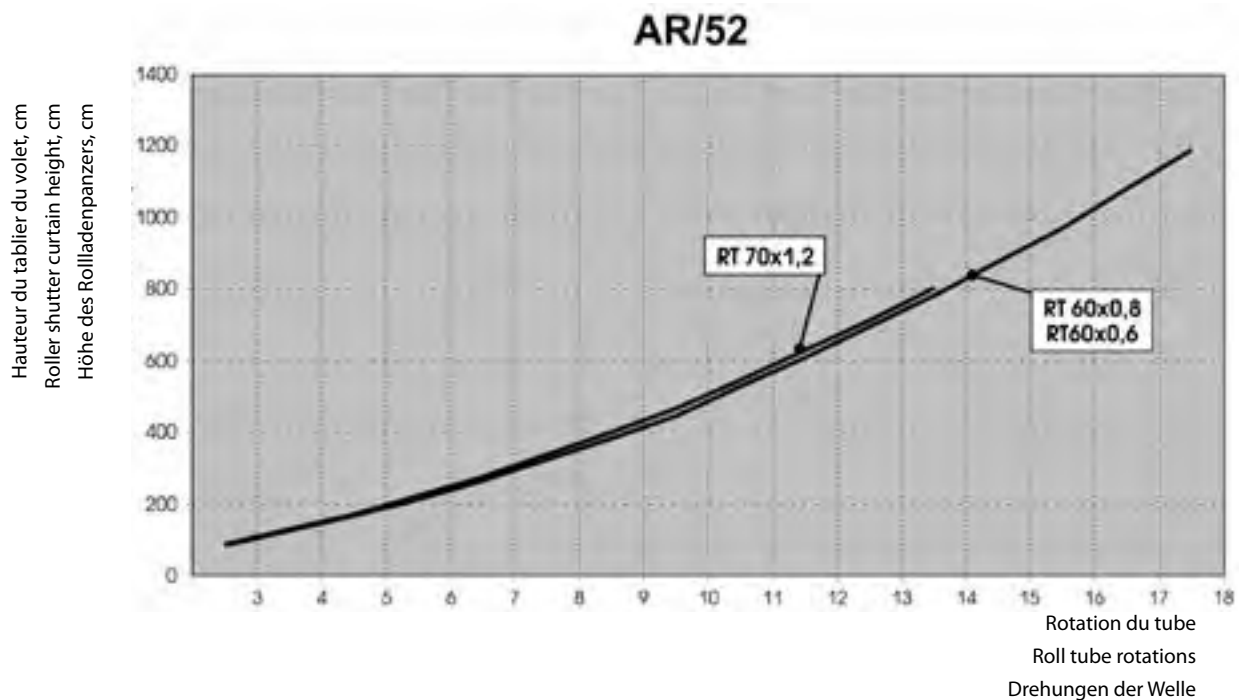
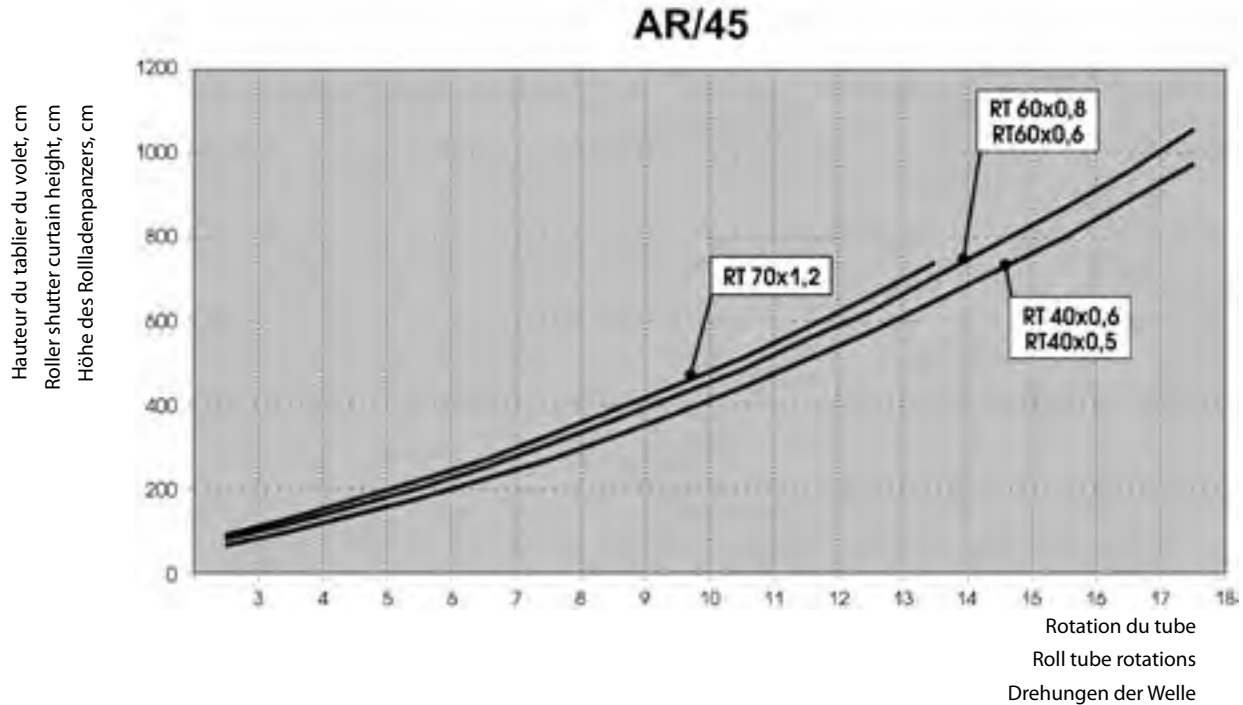
DIAGRAMME ZUR BESTIMMUNG DER DREHZAHL DER WELLE JE NACH HÖHE DES ROLLADENPANZERS (Auskunft)



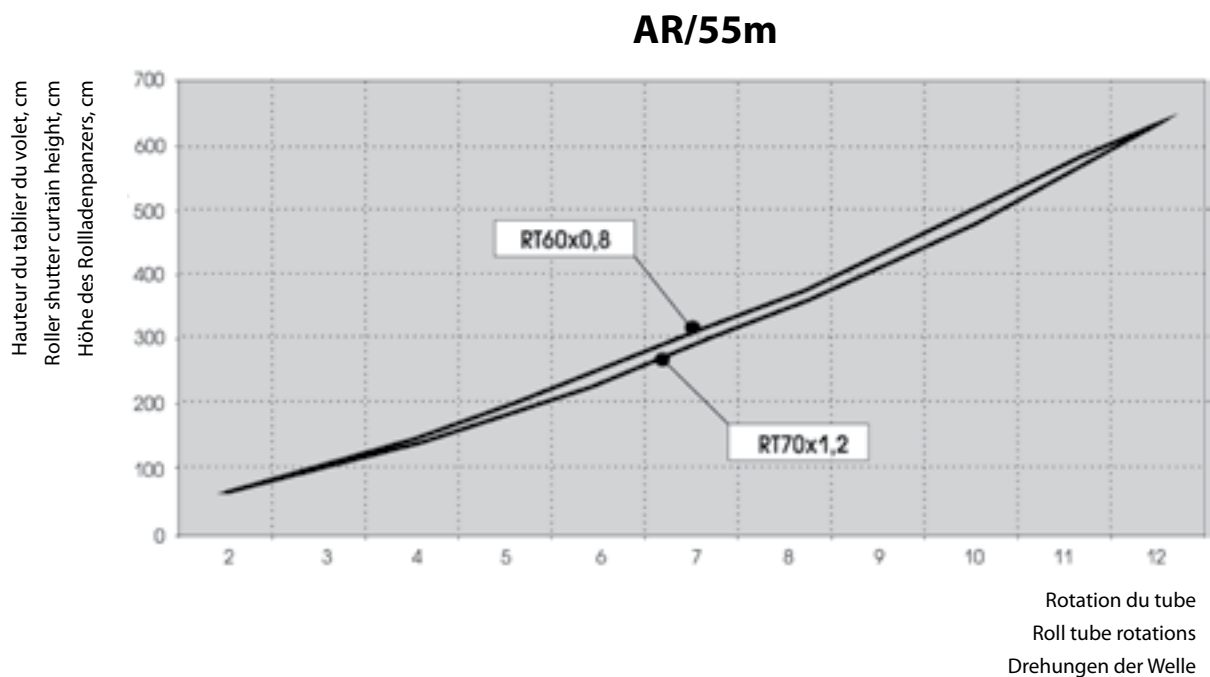
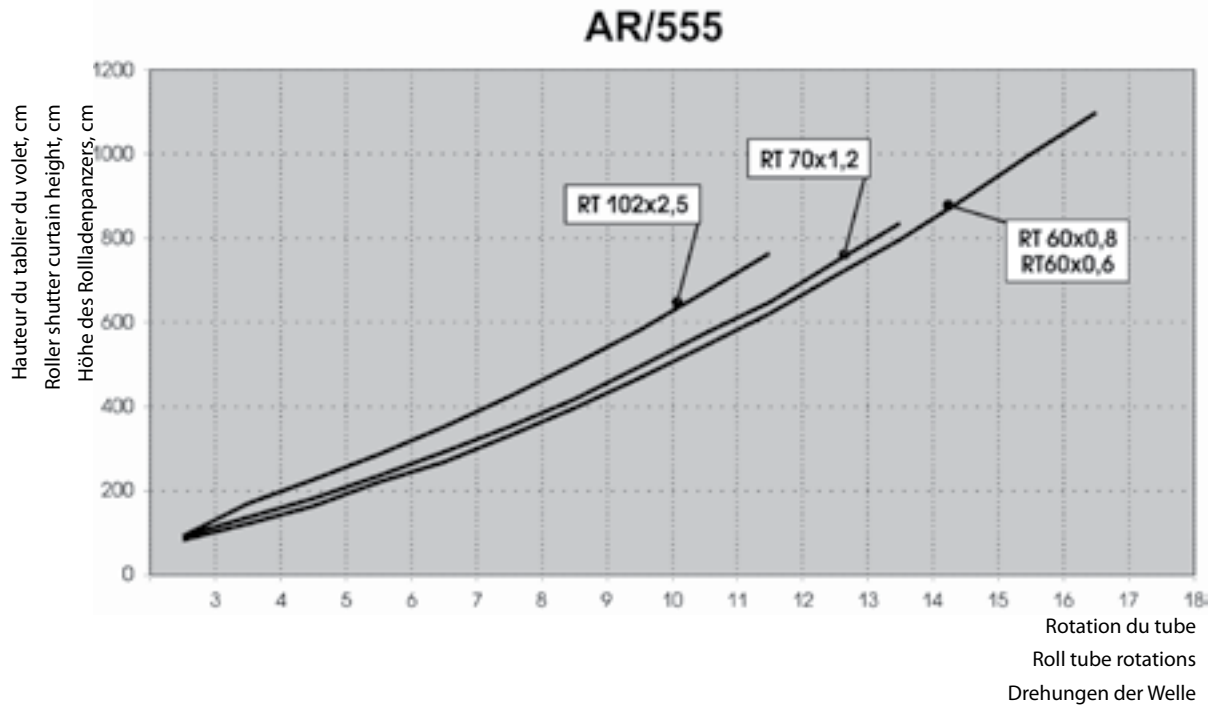
DÉTERMINER LE NOMBRE DE SPIRES DU RESSORT DE TIRAGE DIRECT | DIAGRAMS FOR DETERMINING THE NUMBER OF ROLL TUBE ROTATIONS | DIAGRAMME ZUR BESTIMMUNG DER DREHZAHL



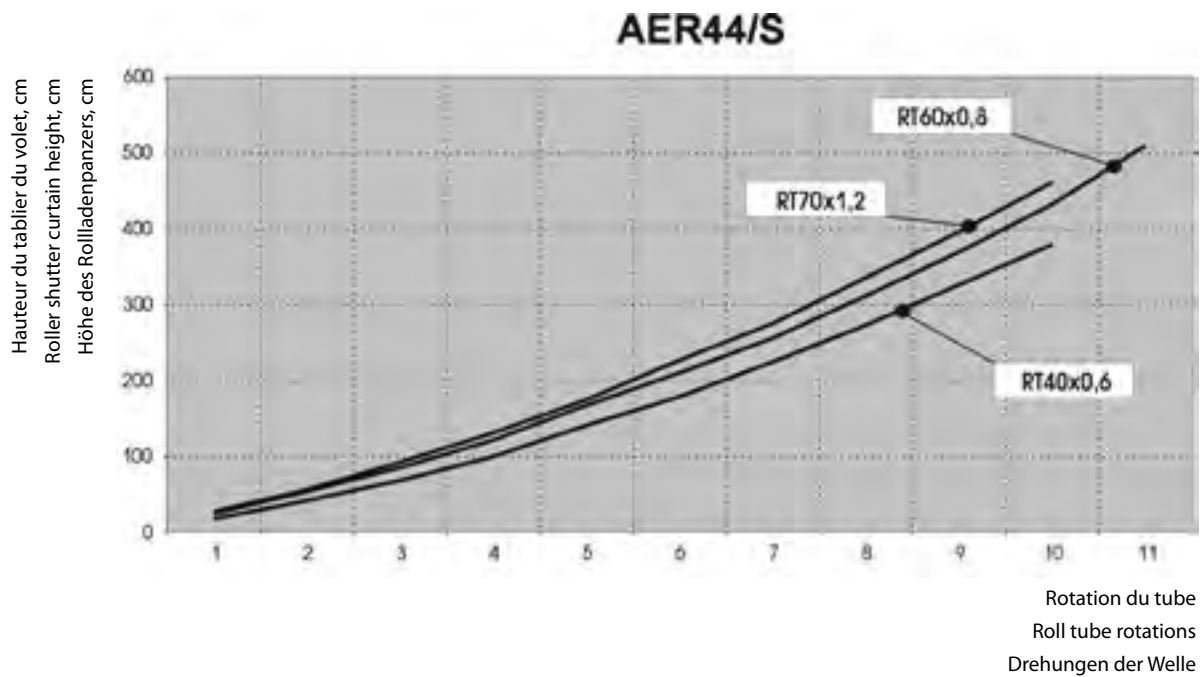
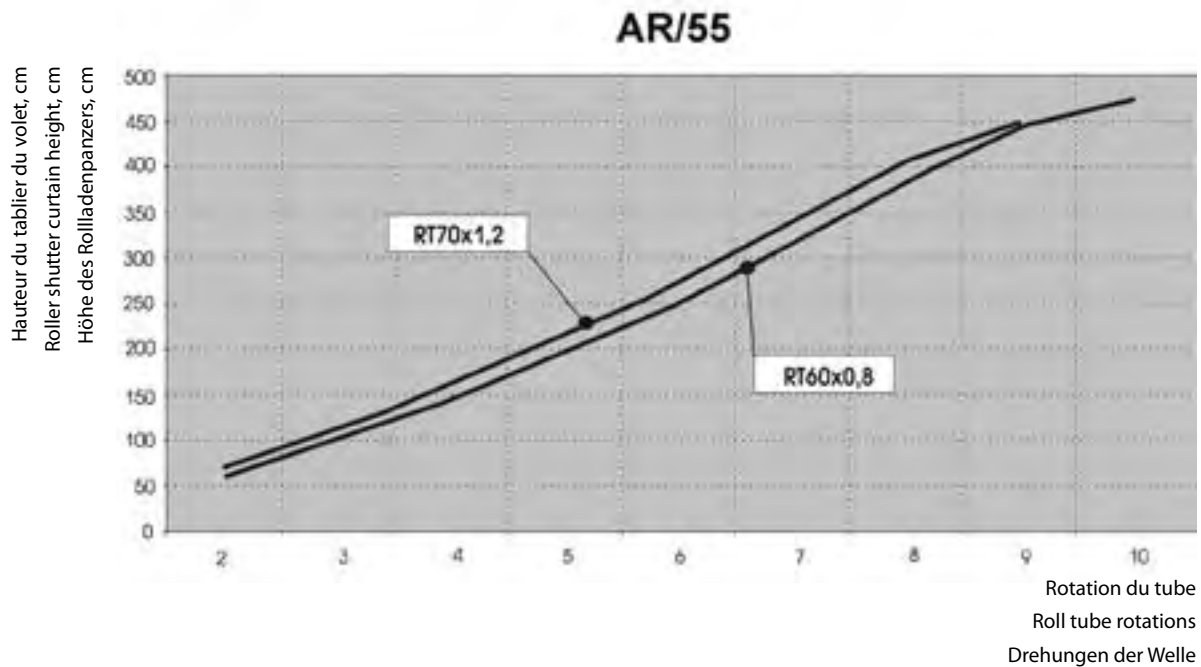
DÉTERMINER LE NOMBRE DE SPIRES DU RESSORT DE TIRAGE DIRECT | DIAGRAMS FOR DETERMINING THE NUMBER OF ROLL TUBE ROTATIONS | DIAGRAMME ZUR BESTIMMUNG DER DREHZAHL



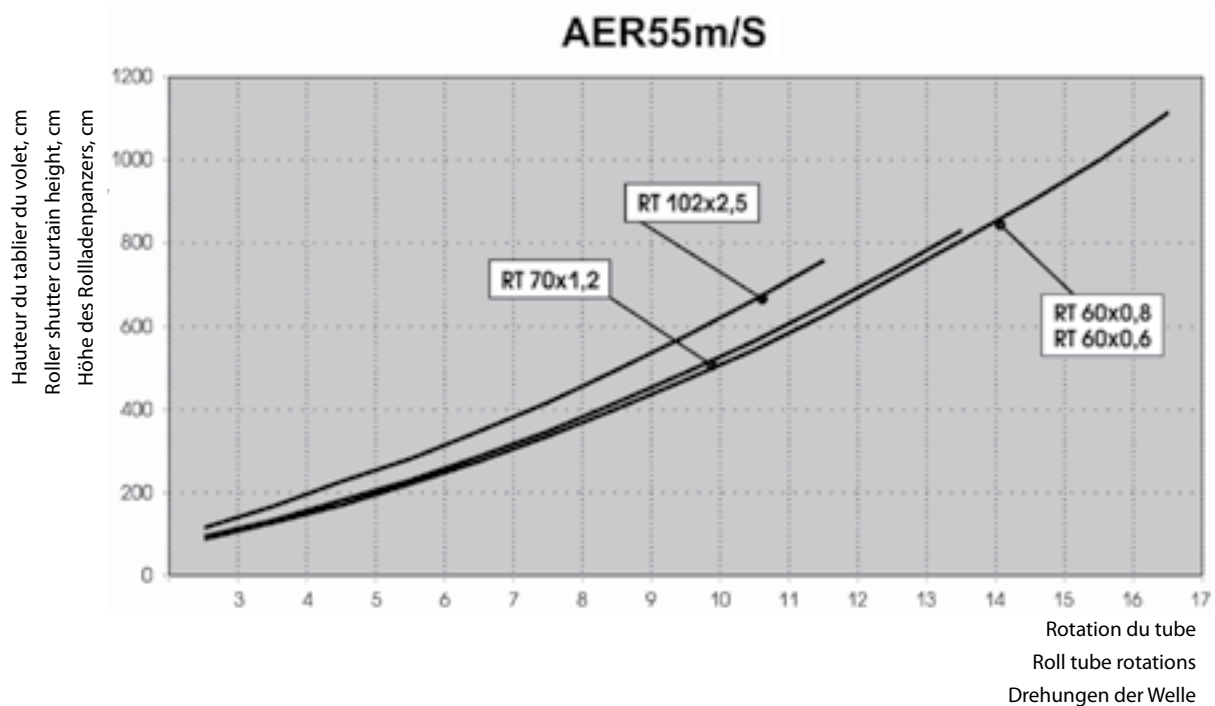
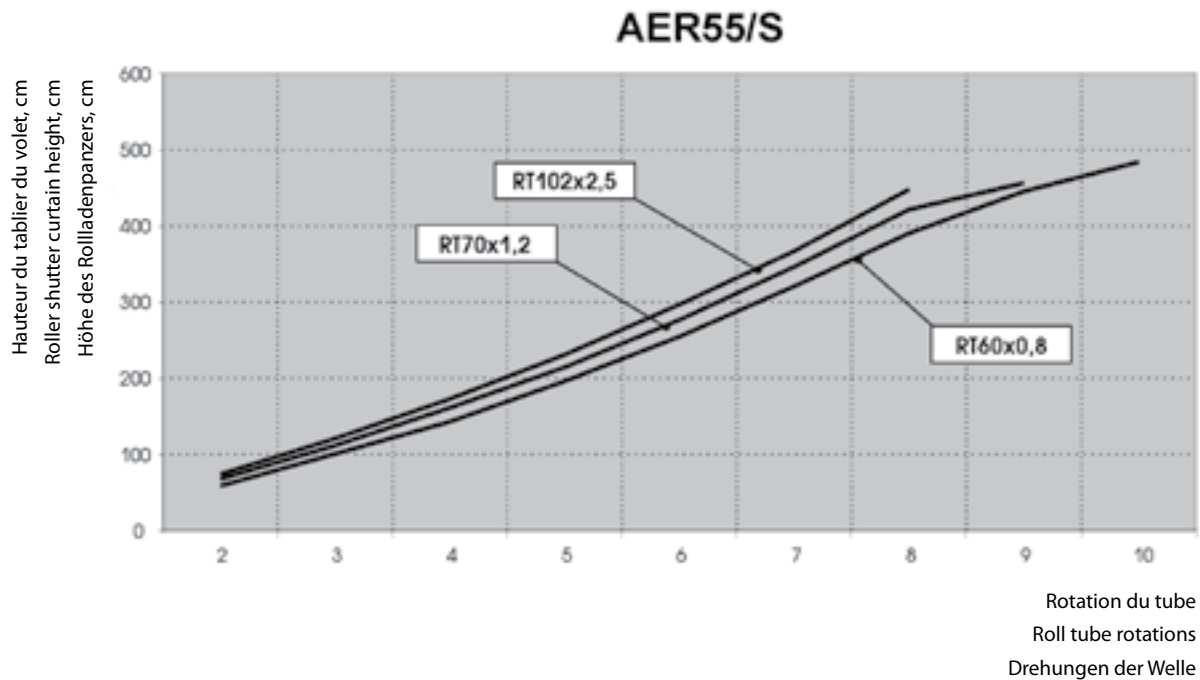
DÉTERMINER LE NOMBRE DE SPIRES DU RESSORT DE TIRAGE DIRECT | DIAGRAMS FOR DETERMINING THE NUMBER OF ROLL TUBE ROTATIONS | DIAGRAMME ZUR BESTIMMUNG DER DREHZAHL



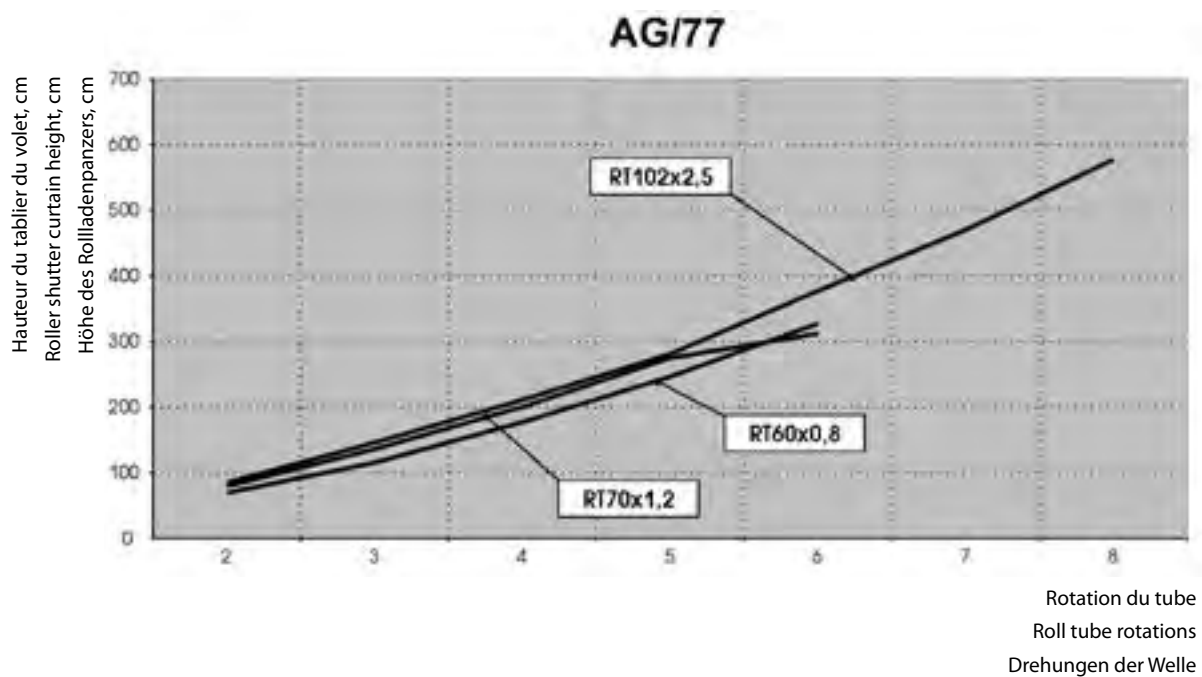
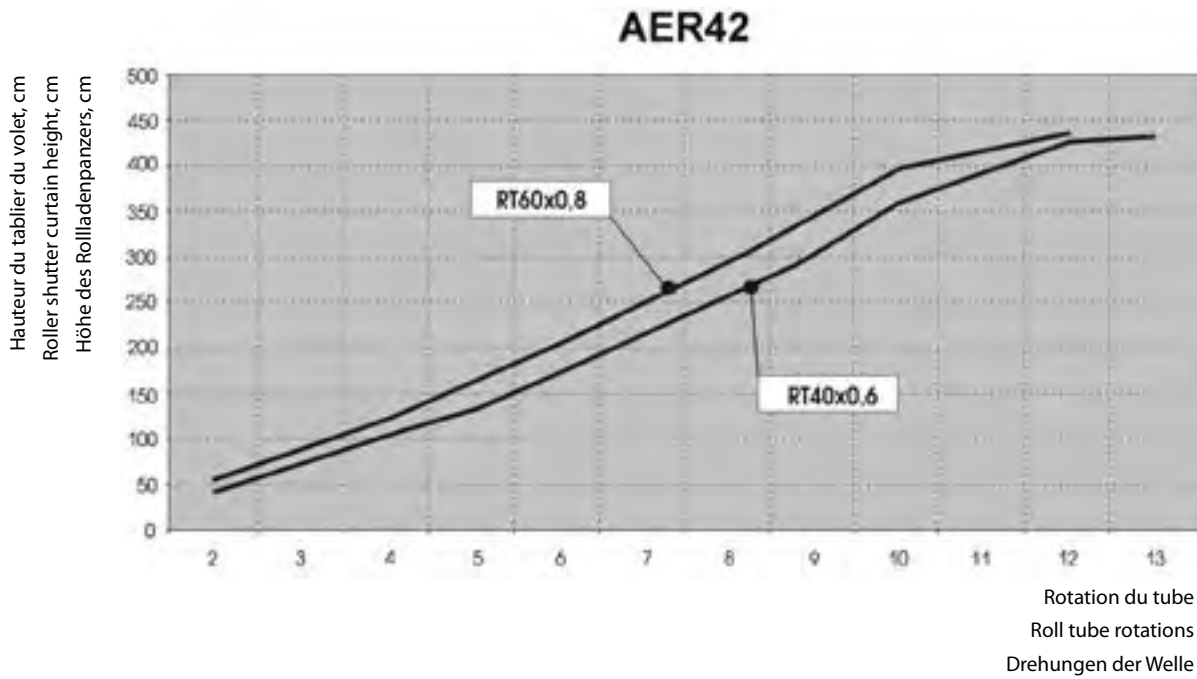
DÉTERMINER LE NOMBRE DE SPIRES DU RESSORT DE TIRAGE DIRECT | DIAGRAMS FOR DETERMINING THE NUMBER OF ROLL TUBE ROTATIONS | DIAGRAMME ZUR BESTIMMUNG DER DREHZAHL



DÉTERMINER LE NOMBRE DE SPIRES DU RESSORT DE TIRAGE DIRECT | DIAGRAMS FOR DETERMINING THE NUMBER OF ROLL TUBE ROTATIONS | DIAGRAMME ZUR BESTIMMUNG DER DREHZAHL

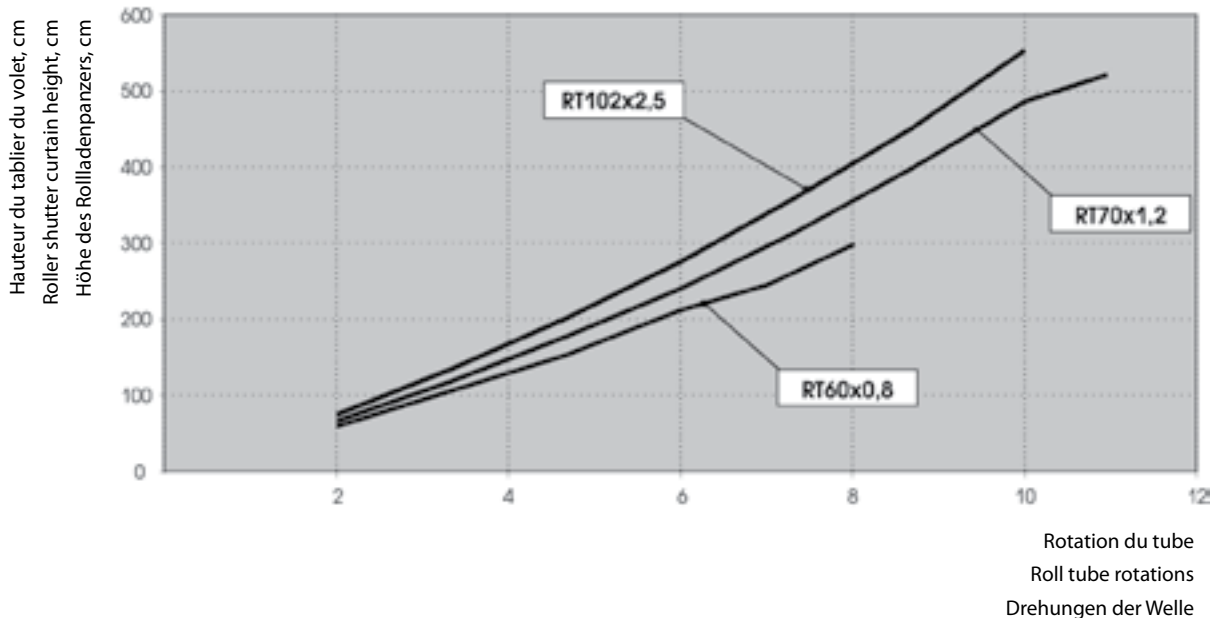


DÉTERMINER LE NOMBRE DE SPIRES DU RESSORT DE TIRAGE DIRECT | DIAGRAMS FOR DETERMINING THE NUMBER OF ROLL TUBE ROTATIONS | DIAGRAMME ZUR BESTIMMUNG DER DREHZAHL

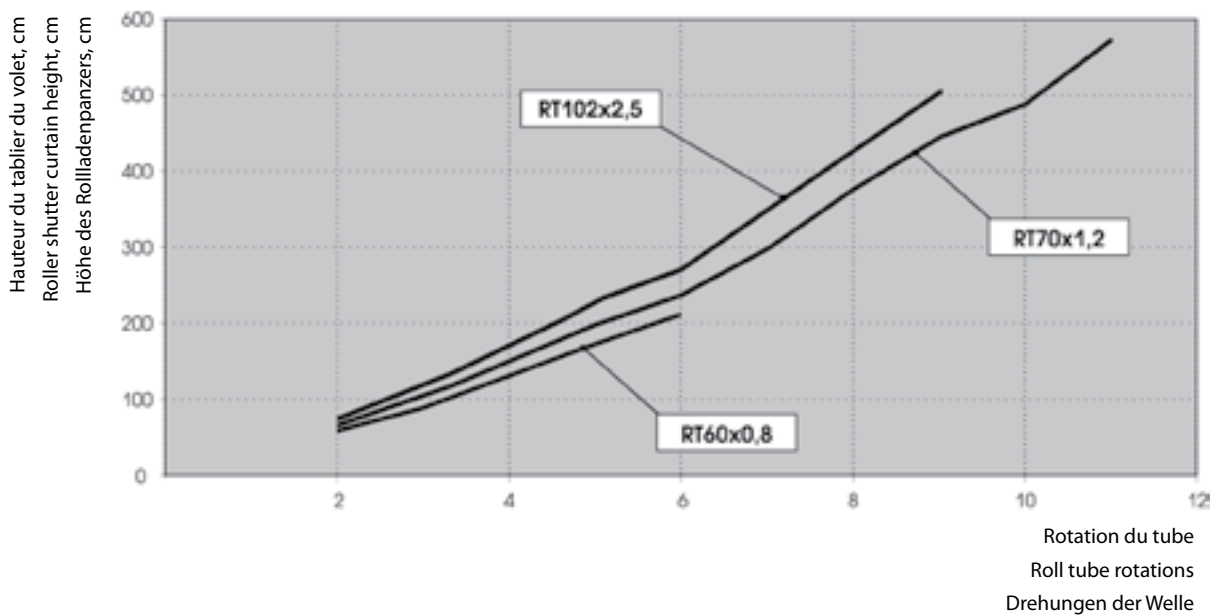


DÉTERMINER LE NOMBRE DE SPIRES DU RESSORT DE TIRAGE DIRECT | DIAGRAMS FOR DETERMINING THE NUMBER OF ROLL TUBE ROTATIONS | DIAGRAMME ZUR BESTIMMUNG DER DREHZAHL

AEG56

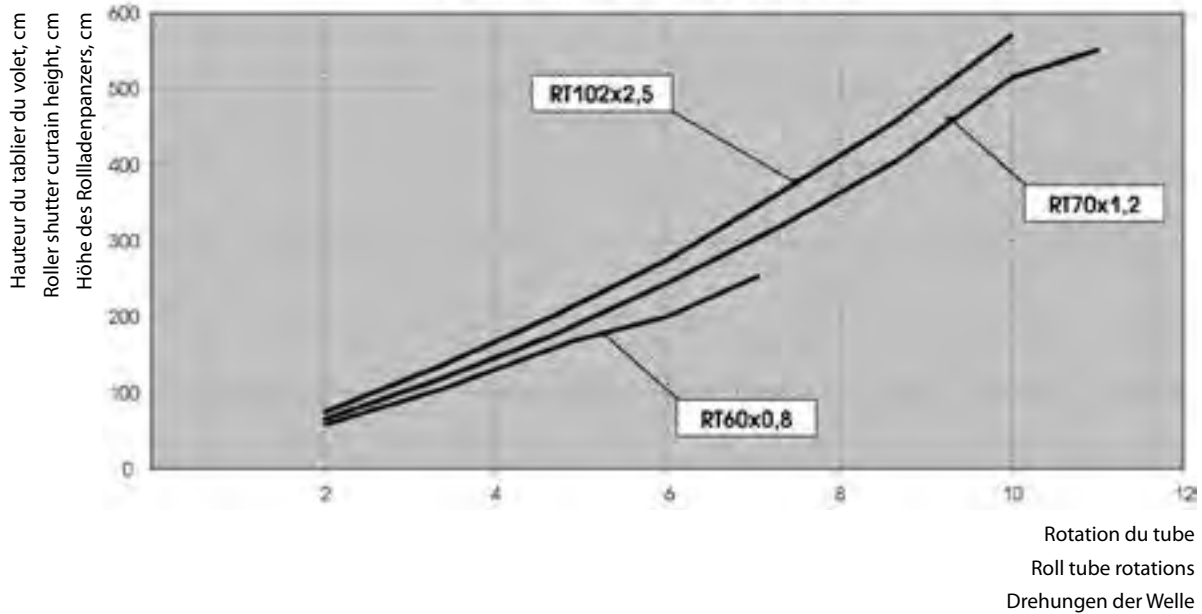


1 AEG56 + 1 AEG30/S

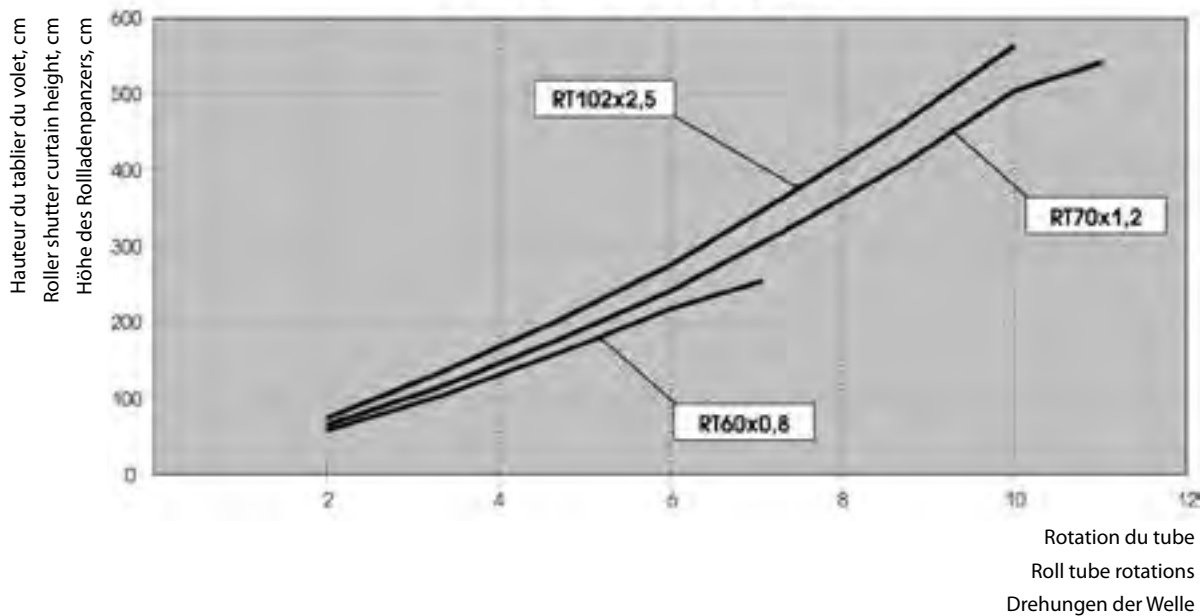


DÉTERMINER LE NOMBRE DE SPIRES DU RESSORT DE TIRAGE DIRECT | DIAGRAMS FOR DETERMINING THE NUMBER OF ROLL TUBE ROTATIONS | DIAGRAMME ZUR BESTIMMUNG DER DREHZAHL

2 AEG56 + 1 AEG30/S

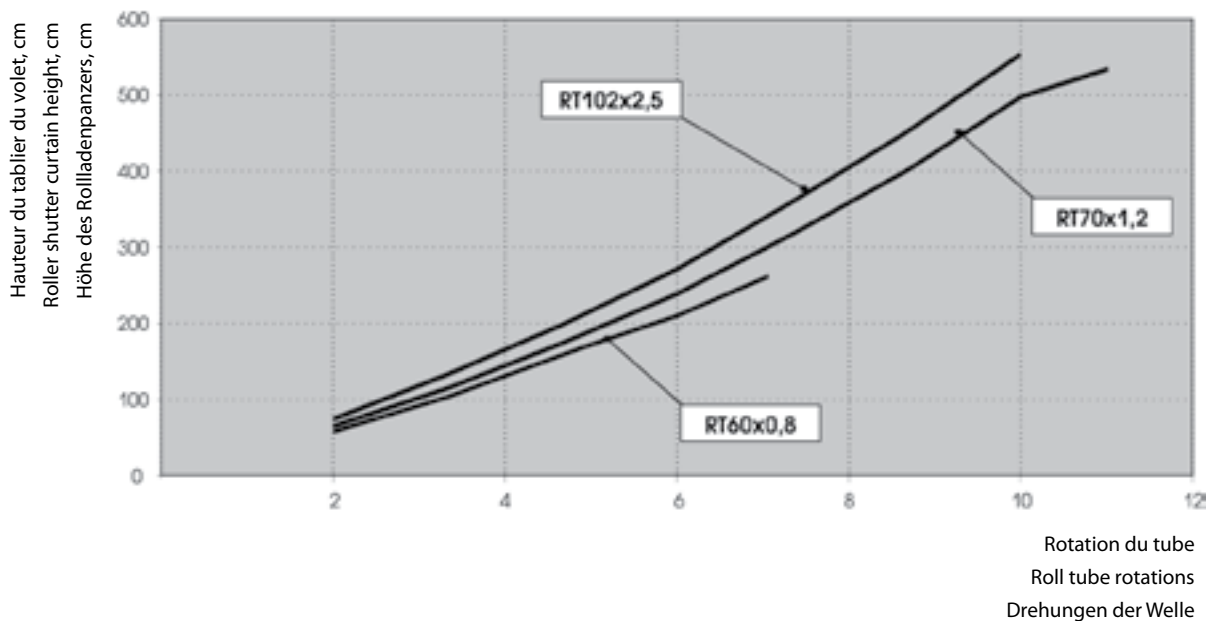


3 AEG56 + 1 AEG30/S

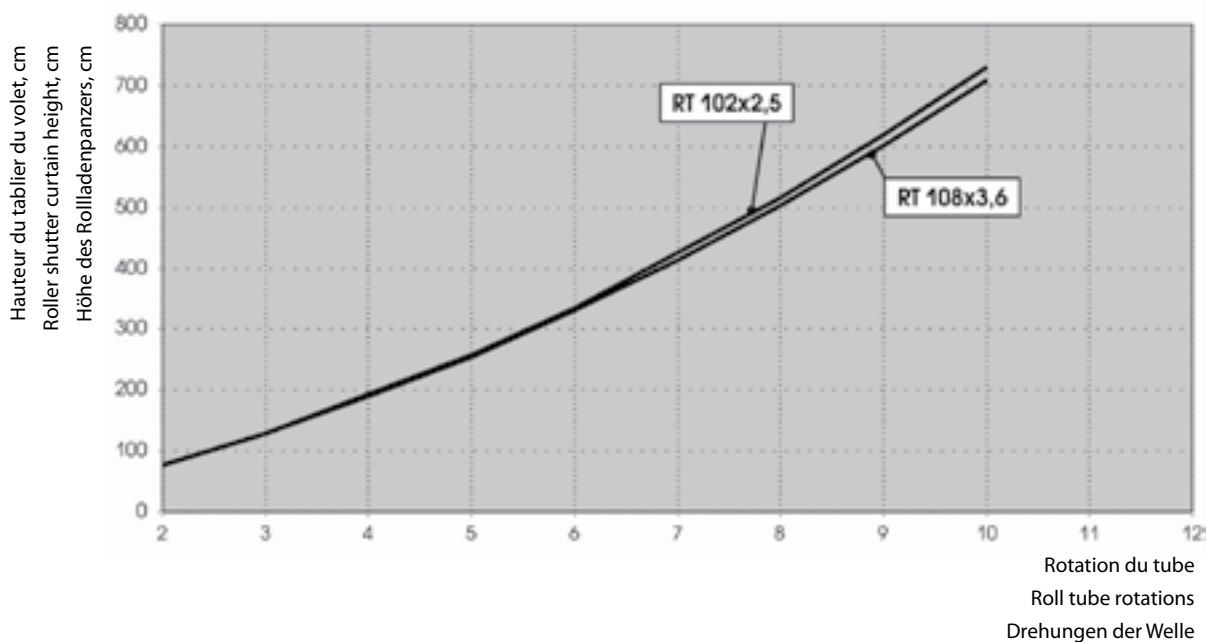


DÉTERMINER LE NOMBRE DE SPIRES DU RESSORT DE TIRAGE DIRECT | DIAGRAMS FOR DETERMINING THE NUMBER OF ROLL TUBE ROTATIONS | DIAGRAMME ZUR BESTIMMUNG DER DREHZAHL

4 AEG56 + 1 AEG30/S

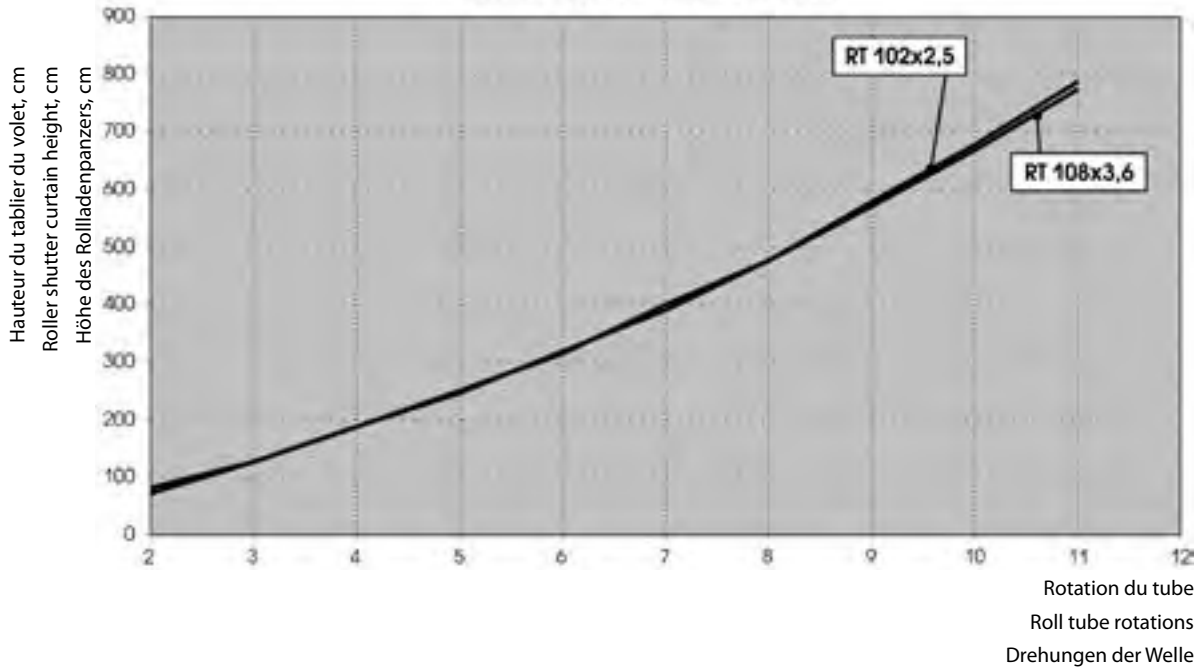


1AEG84+1AEG45/S

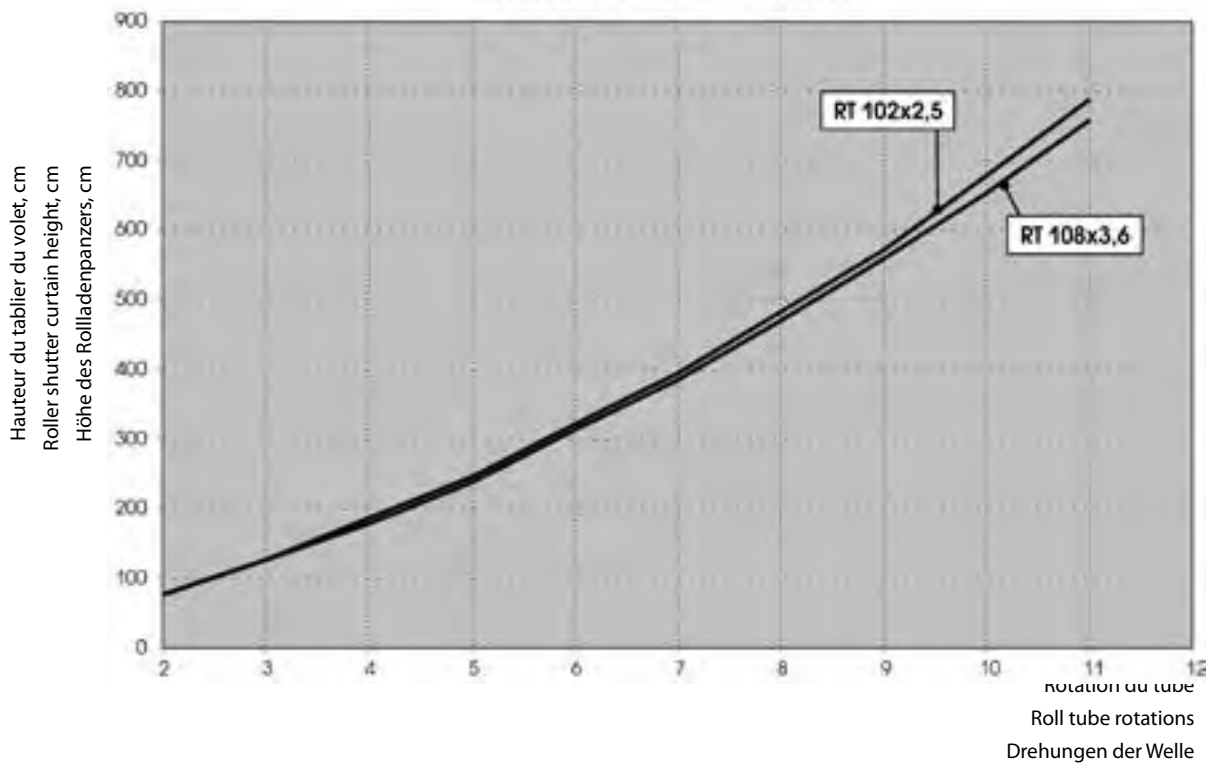


DÉTERMINER LE NOMBRE DE SPIRES DU RESSORT DE TIRAGE DIRECT | DIAGRAMS FOR DETERMINING THE NUMBER OF ROLL TUBE ROTATIONS | DIAGRAMME ZUR BESTIMMUNG DER DREHZAHL

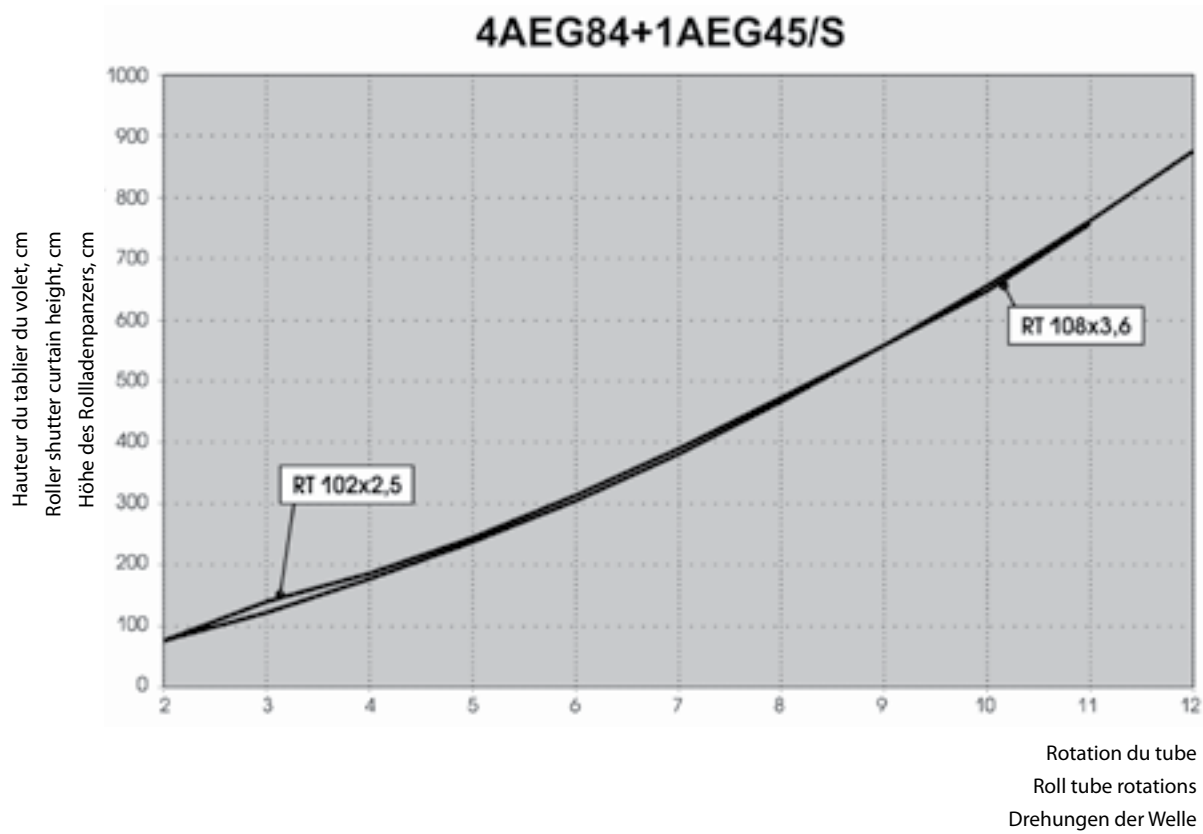
2AEG84+1AEG45/S



3AEG84+1AEG45/S



DÉTERMINER LE NOMBRE DE SPIRES DU RESSORT DE TIRAGE DIRECT | DIAGRAMS FOR DETERMINING THE NUMBER OF ROLL TUBE ROTATIONS | DIAGRAMME ZUR BESTIMMUNG DER DREHZAHL



CHOIX DU RESSORT DE TIRAGE DIRECT

1. Données initiales :

- 1.1. Type de profilé ;
- 1.2. Dimensions de volet ;
- 1.3. Type et dimensions du tube octo ;

2. Calcul du poids soulevé maximal:

$$Q_H = 1,3 * Q_n \quad Q_n \text{ - poids du tablier (kg)}$$

$$Q_n = b * h * g \quad b \text{ - largeur du tablier (m)}$$

$$\quad \quad \quad h \text{ - hauteur du tablier (m)}$$

$$\quad \quad \quad g \text{ - poids de 1 m}^2 \text{ du tablier (kg/m}^2\text{)}$$

3. Avec le **Diagramme pour déterminer le nombre de spires du ressort de tirage direct en fonction du poids du tablier** on détermine le nombre de rotations du tube choisi nH nécessaire pour enrouler le tablier composé de profilé déterminé dans le caisson de protection. À cette fin :

3.1. On choisit la hauteur du tablier sur l'axe **Hauteur du tablier** pour dresser une ligne horizontale jusqu'à son croisement avec la ligne de caractéristiques du tube nécessaire ;

3.2. Au point de croisement on jette le perpendiculaire sur l'axe **Rotations du tube**. Le nombre entier nH correspond au nombre de rotation nécessaire pour enrouler complètement le tablier.

4. Le mécanisme de ressort est choisi sur la base de Q_H , n_H du type et des dimensions du tube selon le **Diagramme pour déterminer le nombre de spires du ressort de tirage direct en fonction du poids du tablier**.

4.1. Choisir le point Q_H sur l'axe Poids soulevé ;

4.2. Choisir le point n_H sur l'axe Nombre de rotations préalable de mécanisme de ressort ;

4.3. Dresser les une ligne horizontale et jeter le perpendiculaire dans les points choisis ;

4.4. Les mécanismes dont les caractéristiques croisent la ligne du poids soulevé (ligne horizontale) à droite de la ligne de nombre de rotation du tube (ligne verticale) peuvent être utilisés.

5. Après avoir choisi le mécanisme concret, il faut déterminer le nombre de spires préalables de la manière suivante :

5.1. Au point de croisement des caractéristiques du mécanisme avec la ligne horizontale il faut jeter un perpendiculaire sur l'axe **Nombre de spires préalables du mécanisme**. La valeur obtenue et le nombre nominal de spires préalables du mécanisme qui doivent être fait lors du montage du volet avant sa fixation sur le tube.

6. Si nécessaire corriger plus précisément le nombre de spires préalables.

NB: la tension du ressort ne doit dépasser les caractéristiques indiquées dans la table (partie 13 du catalogue technique).

EXEMPLE DU CALCUL

1. Données initiales:

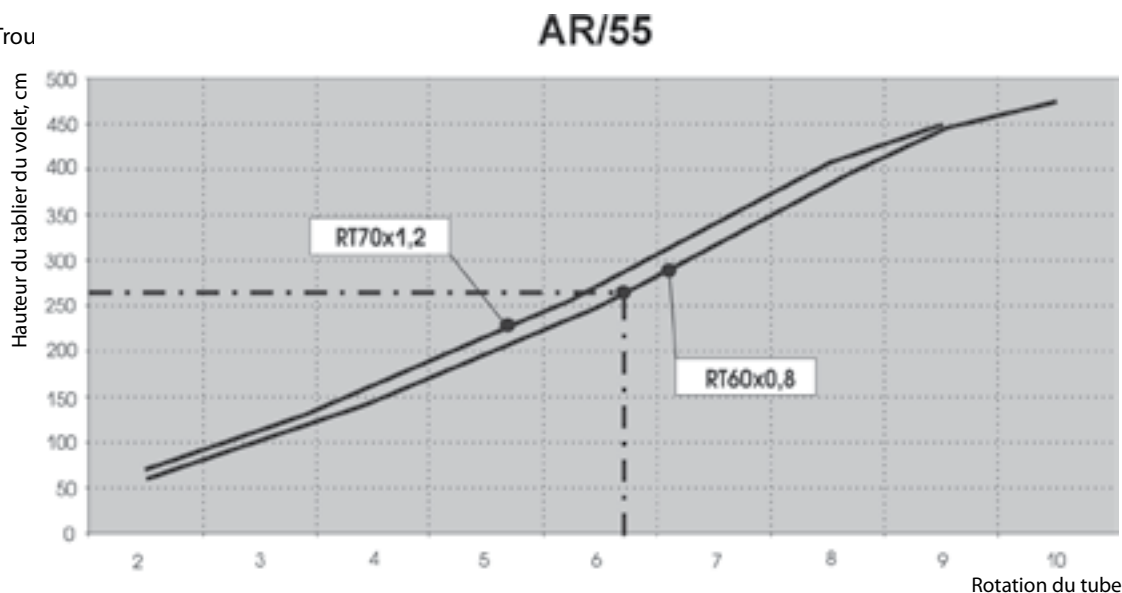
Profilé - AR/55; Largeur - 1,60 m; Hauteur - 2,58 m; Tube octo - 60 mm

2. Calcul :

2.1. Trouver le nombre de rotation du tube n_H choisi avec le Diagramme pour déterminer le nombre de rotation du tube selon la hauteur du tablier.

Valeur obtenu - $n_H = 6$

2.2. Trou

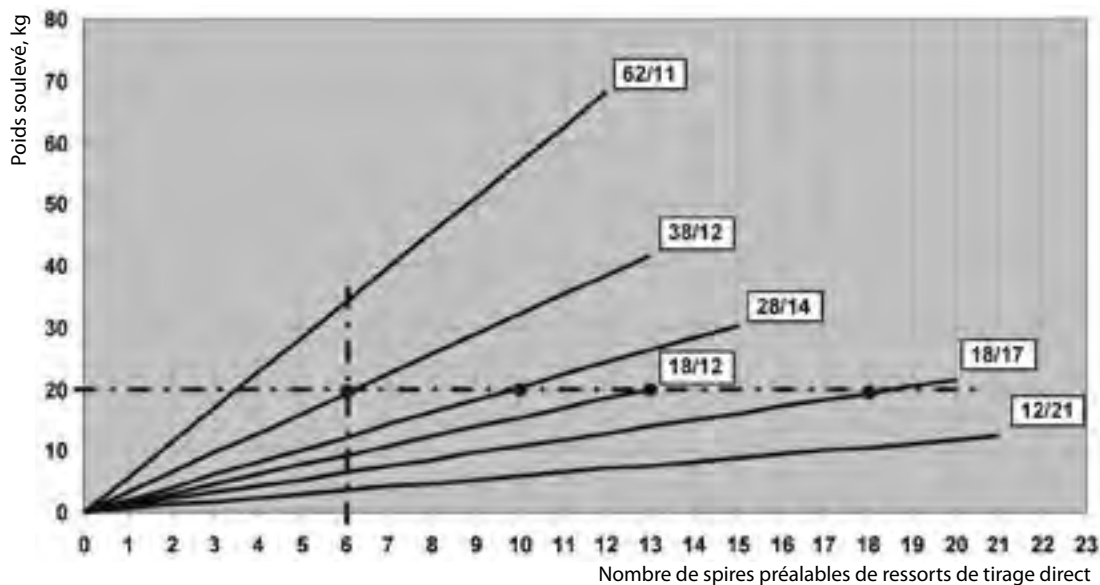


CHOIX DU RESSORT DE TIRAGE DIRECT

- 2.3. Trouver le poids soulevé par le mécanisme de ressort: $QH = 1,3 * 15,40 = 20,02 \text{ kg}$
- 2.4. Trouver le point correspondant à 20 kg sur l'axe **Poids soulevé** du **Diagramme des caractéristiques des ressorts de tirage direct** et dresser une ligne horizontale ;
- 2.5. Trouver le point correspondant à la valeur $n_H = 6 \text{ kg}$ sur l'axe **Nombre de spires préalables du mécanisme de ressort** pour jeter un perpendiculaire;

On voit sur le diagramme qu'avec le poids et le nombre nécessaires on peut utiliser les mécanismes suivants:

Paramètres du ressort de tirage direct 6SIM



6SIM 38/12, 6SIM 28/14, 6SIM 18/12, 6SIM 18/17

3. Conclusion:

- 3.1. Il **n'est pas conseillé** d'utiliser le mécanisme **6SIM 18/12** comme sa force élévatoire nominale n'est pas suffisante;
- 3.2. Il **n'est pas conseillé** d'utiliser les mécanismes 6SIM 28/14 et 6SIM 18/17 car, pour obtenir la force élévatoire nécessaire (20 kg) il est nécessaire de faire 10 et 18 spires préalables (voir le diagramme) ce qui excède le nombre de rotations nécessaires pour enrouler le tablier (6 rotations). Donc, avec ses mécanismes la vitesse de montée du tablier va augmenter à la fin de sa course ce qui va aboutir aux chocs des arrêts du tablier contre le bord du caisson et aux détériorations ultérieures du volet.
- 3.3. Le mécanisme **6SIM38/12** est la solution optimale dans les circonstances données.

METHOD OF SELECTING ASSIST AND PUSH-UP SPRINGS

1. Initial data:

- 1.1. Type of profile;
- 1.2. Roller shutter dimensions;
- 1.3. Type and size of octagonal roll tube.

2. Calculation of necessary load capacity of assist and push-up springs:

$$Q_H = 1.3 \cdot Q_n, \quad \text{where } Q_n - \text{roller shutter curtain weight (kg)}$$

$$Q_n = b \cdot H \cdot g, \quad \text{where } b - \text{roller shutter curtain width (m)}$$

$$h - \text{roller shutter curtain height (m)}$$

$$g - \text{weight per } 1\text{m}^2 \text{ of roller shutter curtain (kg/m}^2\text{)}.$$

3. Using the "Diagram for determining the number of roll tube rotations depending on roller shutter curtain height", determine the number of rotations of the selected octagonal roll tube n_H necessary for shutter curtain (of the certain profile type) winding into the shutter box. To do this:

3.1. On the axis "roller shutter curtain height" mark a point corresponding to the curtain height and draw a horizontal line to its intersection with the line corresponding to the necessary type and size of the roll tube;

3.2. From the point of intersection draw a vertical line to its intersection with the axis "roll tube rotations". The obtained integral value n_H is equivalent to the required number of rotations of the roll tube for the complete winding of the roller shutter curtain.

4. Depending on Q_H , n_H , and the type and size of the roll tube, the mechanism is to be selected based on the "Diagram for determining assist and push-up springs loading parameters" in the following sequence:

4.1. On the axis "load-lifting capacity" mark a point corresponding to Q_H ;

4.2. On the axis "Assist and push-up spring pretension nominal revolution number" mark a point corresponding to n_H ;

4.3. Draw horizontal and vertical lines from the marked points;

4.4. In accordance with the diagram, assist and push-up springs are suitable for use provided their characteristics intersect the line of the required load capacity (horizontal line) to the right of the line of the required number of rotations of the roll tube (vertical line);

5. After the specific spring has been selected, to determine the required number of rotations for preliminary tensioning at the given load capacity, the following is to be done:

5.1. From the point of intersection of the spring characteristics with the horizontal line, draw a vertical line to its intersection with the axis "Assist and push-up spring pretension nominal revolution number". The obtained value indicates the nominal number of rotations for the preliminary tensioning of the spring that should be done when mounting the roller shutter, prior to fixing the curtain to the roll tube.

6. If necessary, a more precise adjustment of the rotations for preliminary tensioning can be made (i.e. increase or decrease).

Note: adjustment to increase (the loading of the spring) is to be made within the maximum allowed values provided in the table of Section 13 of the technical catalogue.

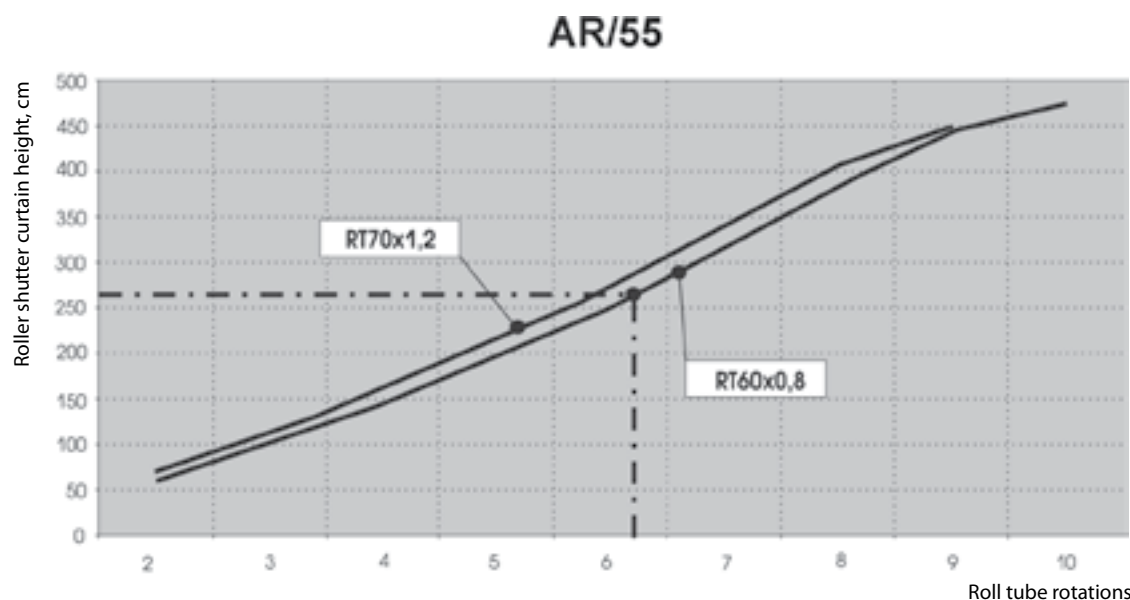
EXAMPLE OF CALCULATION

1. Initial data: Profile - AR/55; Width - 1,60 m; Height - 2,58 m; Octagonal roll tube - 60 mm

2. Calculation:

2.1. Using "Diagram for determining the number of roll tube rotations depending on roller shutter curtain height", determine the number of rotations of the selected octagonal roll tube n_H ;

The value obtained is $n_H = 6$.



METHOD OF SELECTING ASSIST AND PUSH-UP SPRINGS

2.2. Calculation of the roller shutter curtain weight

$$Q_n = 1,60 * 2,58 * 3,73 = 15,40 \text{ kg}$$

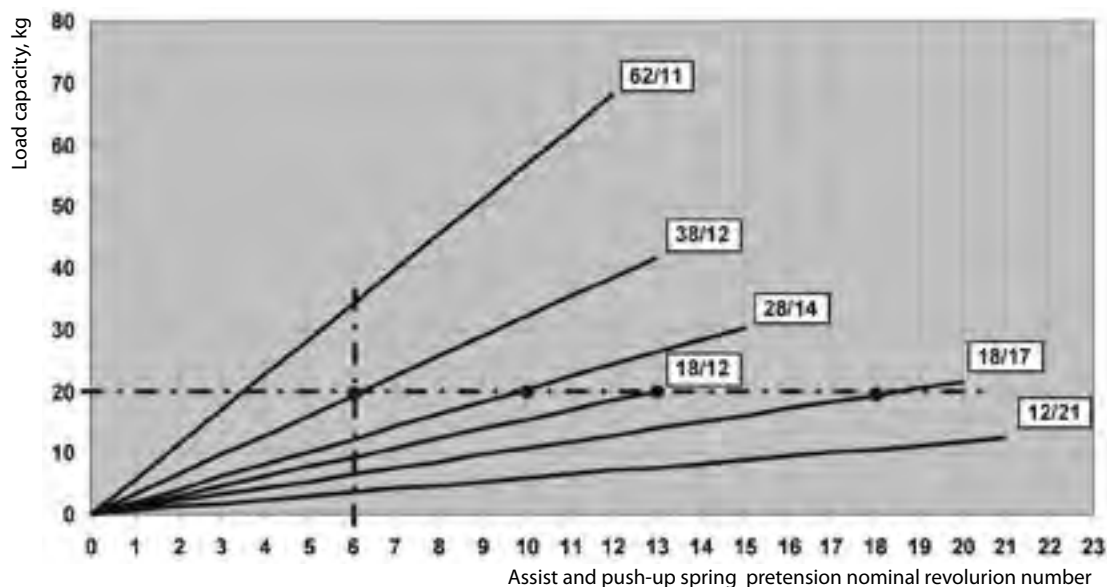
2.3. Calculation of the required load-lifting capacity of the assist and push-up spring

$$Q_H = 1,3 * 15,40 = 20,02 \text{ kg}$$

2.4. On the axis "load-lifting capacity" in the "Diagram for determining assist and push-up springs loading parameters", mark a point corresponding to 20 kg, and draw a horizontal line;

2.5. On the axis "Assist and push-up spring pretension nominal revolution number" mark the point corresponding to the obtained value of $n_H = 6$, and draw a vertical line.

Assist and push-up springs loading parameters (6SIM serie)



As is seen from the diagram, the following assist and push-up springs can be used for the given load-lifting capacity and number of rotations of the roll tube:

6SIM 38/12, 6SIM 28/14, 6SIM 18/12, 6SIM 18/17.

3. **Conclusion:**

3.1. Assist and push-up spring **6SIM 18/12** is not recommended for use in this particular case since its nominal load-lifting capacity is insufficient.

3.2. Assist and push-up springs **6SIM 28/14** and **6SIM 18/17** are not recommended for use in this particular case since, to attain the necessary load-lifting capacity (20 kg), 10 and 18 rotations accordingly are required for the preliminary tensioning (see diagram), and this is considerably more than the number of roll tube rotations required for the complete winding of the roller shutter curtain (6 rotations). Consequently, if these springs are used, an increase in the speed of movement of the curtain will be observed at the end of the winding cycle. As a result, the curtain stoppers will hit the lower edge of the roller shutter box, which will eventually lead to a breakdown of the product.

3.3. Assist and push-up spring **6SIM 38/12** is the optimal one to use in a roller shutter with the given curtain parameters.

AUSWAHL DES FEDERANTRIEBS

1. Ausgangsdaten:

- 1.1. Profiltyp;
- 1.2. Abmessungen des Rollladens;
- 1.3. Standardmaß der Achtkantwelle.

2. Berechnung der erforderlichen Tragfähigkeit des Federantriebs:

$$Q_H = 1,3 * Q_n \quad Q_n \text{ - Gewicht des Rollladenpanzers (kg)}$$

$$Q_n = b * h * g \quad b \text{ - Breite des Rollladenpanzers (m)}$$

$$h \text{ - Höhe des Rollladenpanzers (m)}$$

$$g \text{ - Gewicht von m}^2 \text{ des Rollladenpanzers (kg/m}^2\text{)}$$

3. Entsprechend dem „**Diagramm zur Bestimmung der Drehzahl der Welle je nach der Höhe des Rollladenpanzers**“ ist die Drehzahl der ausgewählten Achtkantwelle n_H , die für das Aufwickeln des Rollladenpanzers aus einem bestimmten Profil in den BLENDENKÄSTEN erforderlich ist, zu berechnen. Hier ist wie folgt vorzugehen:

3.1. Auf der Achse „**Höhe des Rollladenpanzers**“ ist der Punkt, der der Höhe des Rollladenpanzers entspricht, zu kennzeichnen und eine horizontale Gerade bis zur Kreuzung mit der Kennlinie, die dem erforderlichen Standardmaß der Welle entspricht, zu ziehen.

3.2. Aus dem Kreuzungspunkt ist eine vertikale Gerade nach unten bis zur Kreuzung mit der Achse „**Drehungen der Welle**“ zu ziehen. Der sich ergebende ganze Kennwert n_H entspricht der Drehzahl der Welle, die für ein volles Aufwickeln des Rollladenpanzers erforderlich ist.

4. Je nach Q_n , n_H und Größe der Welle ist ein Federantrieb in folgender Reihenfolge auf Grund des „**Diagramms zur Festlegung der nominalen Drehzahl der Vorspannung des Federantriebs**“ auszuwählen:

4.1. Auf der Achse ist der Punkt, der Q_n entspricht, zu kennzeichnen;

4.2. Auf der Achse „**Drehzahl der Vorspannung des Federantriebs**“ ist der Punkt, der n_H entspricht, zu kennzeichnen.

4.3. Aus den gekennzeichneten Punkten ist eine horizontale und eine vertikale Gerade zu ziehen.

4.4. Für die Verwendung sind gemäß Diagramm die Federantriebe geeignet, deren Charakteristika die Linie der erforderlichen Tragfähigkeit (horizontale Linie) rechts von der Linie der erforderlichen Drehzahl der Welle (vertikale Linie) überkreuzen.

5. Nach der Auswahl eines konkreten Federantriebs ist die erforderliche Drehzahl der Vorspannung bei vorgegebener Tragfähigkeit in folgender Reihenfolge zu bestimmen.

5.1. Aus dem Kreuzungspunkt der Charakteristika des Federantriebs und der horizontalen Linie ist eine vertikale Gerade nach unten bis zur Kreuzung mit der Achse „**Drehzahl der Vorspannung des Federantriebs**“ zu ziehen. Der sich ergebende Kennwert gibt eine nominale Drehzahl der Vorspannung des Federantriebs an, welche bei der Montage des Rollladens, vor der Befestigung des Panzers auf der Welle, auszuführen ist.

6. Bei Bedarf ist eine genauere Korrektur der Drehzahl der Vorspannung in Richtung einer Erhöhung oder Reduzierung vorzunehmen.

Achtung! Die Korrektur in Richtung der Erhöhung (Beanspruchung der Feder) ist im Rahmen der maximalen Grenzwerte, die in der Tabelle des Kapitels 13 des technischen Katalogs aufgeführt sind, vorzunehmen.

Beispiel zur Berechnung der Drehzahl

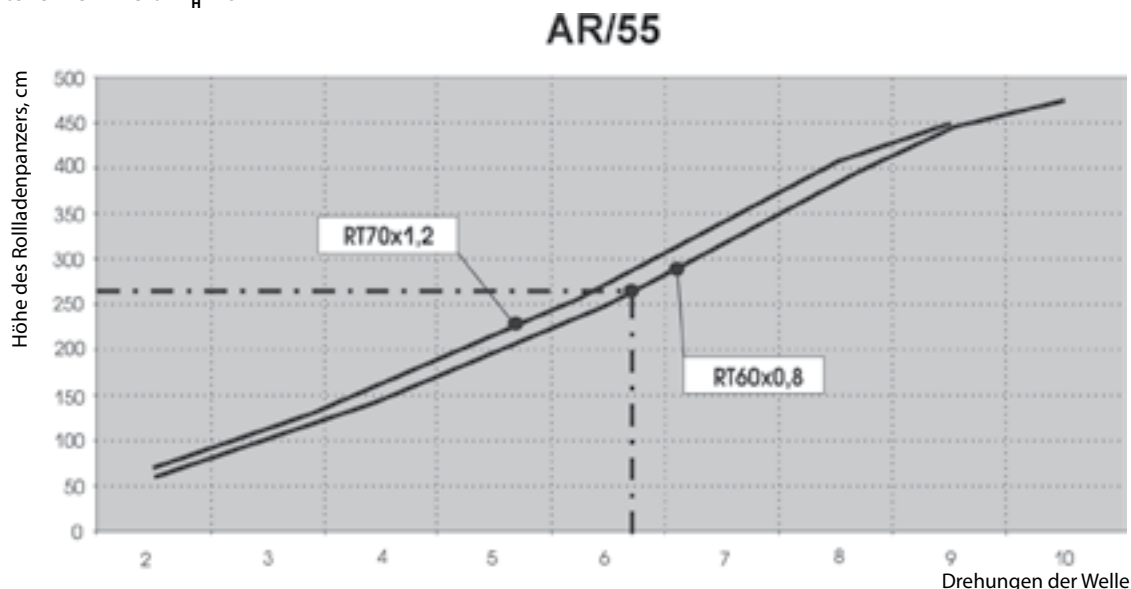
1. Ausgangsdaten:

Profil - AR/55; Breite - 1,60 m; Höhe - 2,58 m; Achtkantwelle - 60 mm

2. Berechnung:

2.1. Entsprechend dem „**Diagramm für die Bestimmung der Drehzahl der Welle je nach Höhe des Rollladenpanzers**“ ist die Drehzahl der ausgewählten Achtkantwelle n_H zu berechnen.

Erhaltener Kennwert - $n_H = 6$



AUSWAHL DES FEDERANTRIEBS

2.2. Berechnung des Rollladenpanzergewichtes

$$Q_n = 1,60 \cdot 2,58 \cdot 3,73 = 15,40 \text{ kg}$$

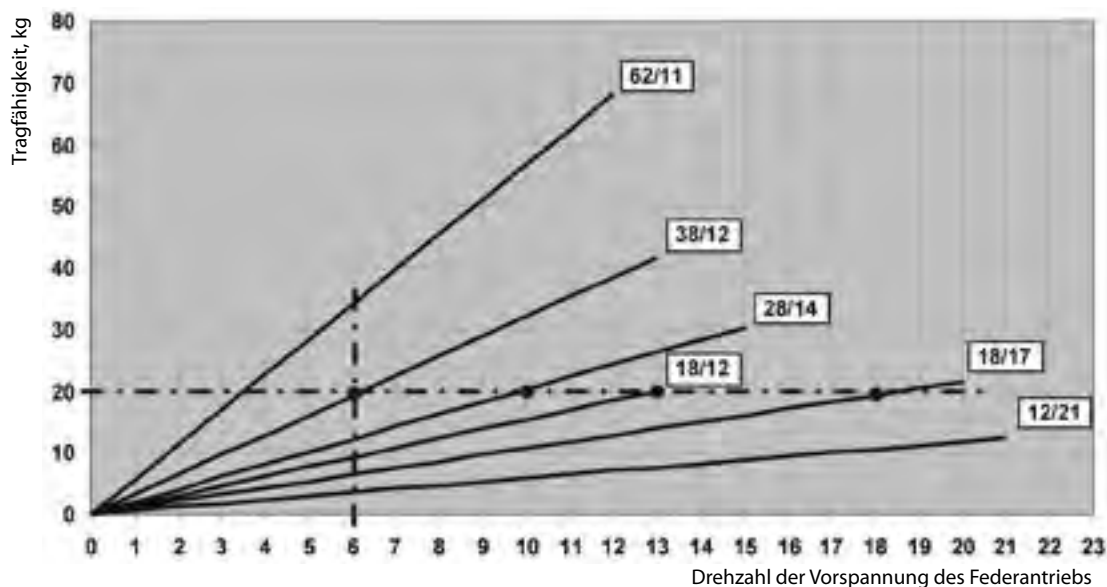
2.3. Berechnung der erforderlichen Tragfähigkeit des Federantriebs:

$$Q_H = 1,3 \cdot 15,40 = 20,02 \text{ kg}$$

2.4. Auf der Achse „Tragfähigkeit“ des „Diagramms zur Belastbarkeit des Federantriebs“ ist der Punkt, der 20 kg entspricht, zu kennzeichnen und eine horizontale Linie zu ziehen.

2.5. Auf der Achse „Drehzahl der Vorspannung des Federantriebs“ ist der Punkt, der dem früher erhaltenen Kennwert $n_H = 6$ entspricht, zu kennzeichnen und eine vertikale Linie zu ziehen.

Belastung des Federantriebs der Serie 6SIM



Aus dem Diagramm ist ersichtlich, daß für die vorgegebene Tragfähigkeit und Drehzahl der Welle folgende Federantriebe verwendbar sind:

6SIM 38/12, 6SIM 28/14, 6SIM 18/12, 6SIM 18/17

3. Fazit:

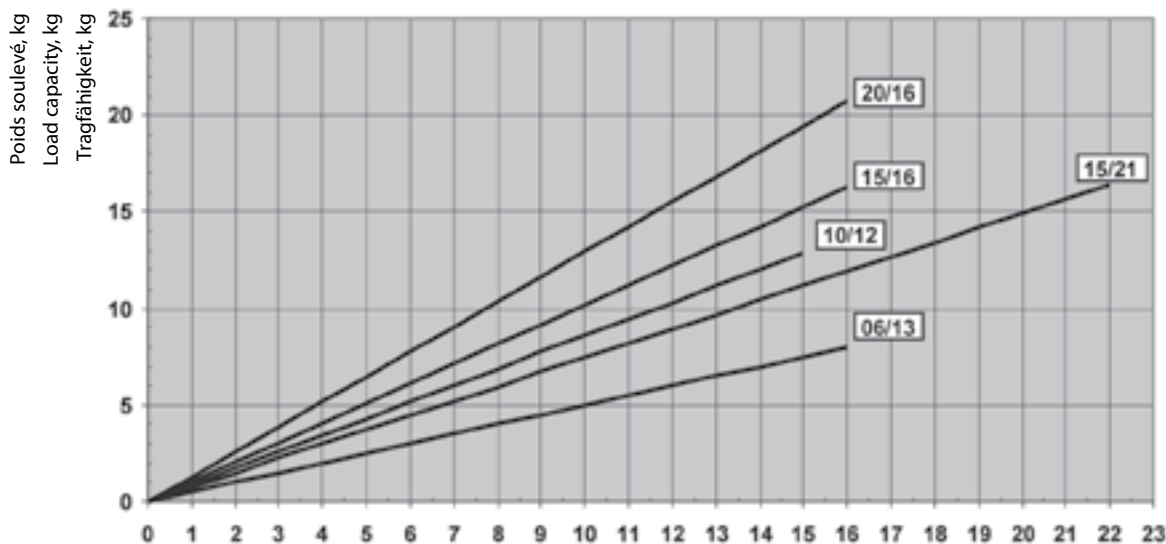
3.1. Es wird in diesem Falle **nicht empfohlen**, den Federantrieb **6SIM 18/12** zu verwenden. Seine **nominale** Tragfähigkeit ist nicht ausreichend.

3.2. Es wird in diesem Falle **nicht empfohlen**, die Federantriebe **6SIM 28/14** und **6SIM 18/17** zu verwenden. Um die berechnete Tragfähigkeit (20 kg) zu erreichen, ist es erforderlich, 10 und angemessen 18 Drehungen der Vorspannung des Federantriebs (s. Diagramm) auszuführen. Dies übersteigt wesentlich die Drehzahl der Welle, die für ein volles Abwickeln des Rollladenpanzers erforderlich ist (6 Drehungen). Würden diese Federantriebe verwendet, wäre am Ende der Auffahrt-Bewegung eine gewisse Beschleunigung der Geschwindigkeit des Rollladens zu beobachten. Die Anschlagstopfen des Rollladenpanzers würden folglich gegen die Unterkante des Rollladenkastens schlagen, was mit der Zeit zum Ausfall des Produktes führen würde.

3.3. Der Federantrieb **6SIM 38/12** läßt sich optimal für den Rollladen mit den genannten Parametern des Rollladenpanzers verwenden.

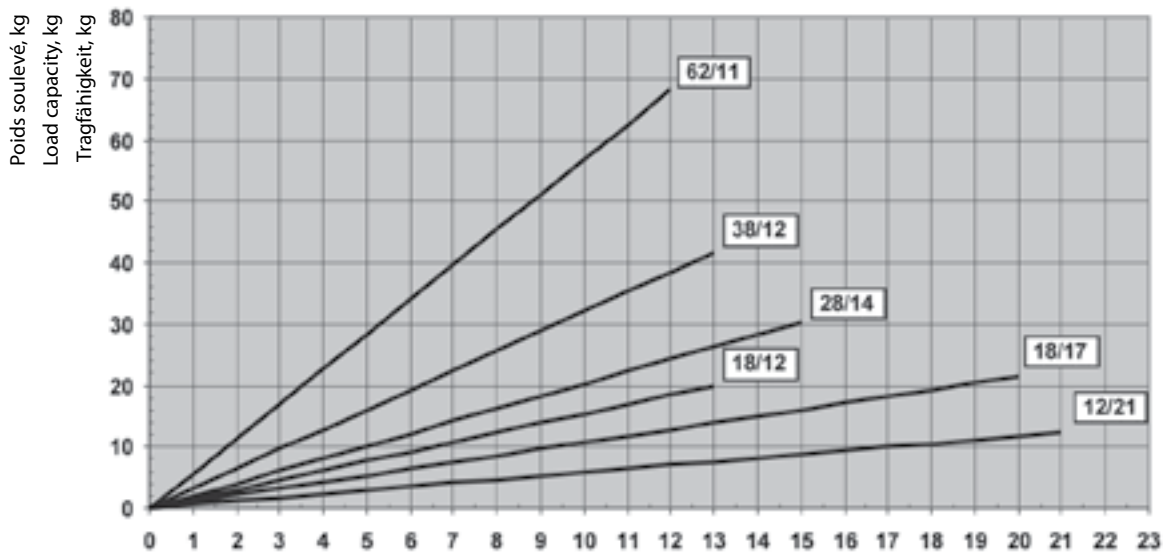
RESSORTS DE TIRAGE DIRECT | DIAGRAMS FOR DETERMINING ASSIST AND PUSH-UP SPRINGS LOADING PARAMETERS |
DIAGRAMME ZUR BELASTBARKEIT DES FEDERANTRIEBS

Paramètres du ressort de tirage direct 4SIM
Assist and push-up springs loading parameters (4SIM serie)
Belastbarkeit der Federantriebe der Serie 4SIM



Nombre de spires préalables de ressorts de tirage direct
Assist and push-up spring pretension nominal revolution number
Drehzahl der Vorspannung des Federantriebs

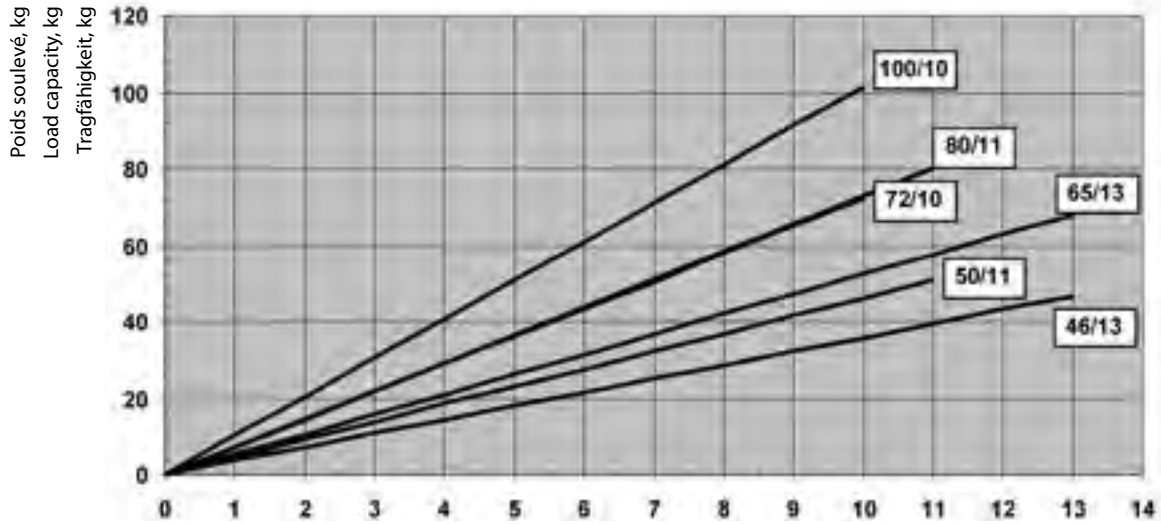
Paramètres du ressort de tirage direct 6SIM
Assist and push-up springs loading parameters (6SIM serie)
Belastbarkeit der Federantriebe der Serie 6SIM



Nombre de spires préalables de ressorts de tirage direct
Assist and push-up spring pretension nominal revolution number
Drehzahl der Vorspannung des Federantriebs

**RESSORTS DE TIRAGE DIRECT | DIAGRAMS FOR DETERMINING ASSIST AND PUSH-UP SPRINGS LOADING PARAMETERS |
DIAGRAMME ZUR BELASTBARKEIT DES FEDERANTRIEBS**

**Paramètres du ressort de tirage direct 7SIM
Assist and push-up springs loading parameters (7SIM serie)
Belastungscharakteristik der Federantriebe der Serie 7SIM**



Nombre de spires préalables de ressorts de tirage direct
Assist and push-up spring pretension nominal revolution number
Drehzahl der Vorspannung des Federantriebs

CONDITIONS COMMERCIALES GÉNÉRALES DE LA SOCIÉTÉ À RESPONSABILITÉ LIMITÉE «ALUTECH SYSTEMS S.R.O.»

Conditions commerciales générales de la société à responsabilité limitée «ALUTECH Systems s.r.o.» enregistrée à l'adresse suivante : Bor, 19, Nová Hospoda, district Tachov, 348 02, Czech Republic, ID No: 290 89 077, inscrite au registre de commerce du tribunal Régional de la ville de Pilsnen, section C, référence 24004

1. Fonctionnement des conditions commerciales générales

- 1.1. Les conditions commerciales générales (ci-après dénommées «Conditions») exposées ci-dessous constituent la base de tout contrat, conclu entre la société "ALUTECH Systems s.r.o." (ci-après dénommée «ALUTECH» ou «Société») et autre partie (ci-après dénommée «Client»). La société «ALUTECH» ne réalise des livraisons, des services et des propositions que sur la base des présentes Conditions.
- 1.2. Les conditions générales, les conditions commerciales du client ou tout autre document ne sont pas obligatoires pour «ALUTECH» même dans le cas où «ALUTECH» a présenté ou n'a pas présenté son opposition évidente à l'égard du règlement et des conditions commerciales de l'acheteur.
- 1.3. Tous les modifications des Conditions, si les dernières existent, doivent être rédigées par écrit et signées par les deux Parties.

2. Signature de contrat

- 2.1. Les offres commerciales de la Société «ALUTECH» ne sont pas obligatoires.
- 2.2. Toute commande, placée par le Client, doit contenir au moins le type et la quantité des articles commandés, numéro de l'article (si le dernier existe), le prix unitaire, le prix total des articles commandés aussi bien que la date désirable de la livraison. La commande est irrévocable est exécutoire pour le client au cours de 15 jours du moment de la réception de la commande par la société «ALUTECH». Tout contrat de vente entre le Client et la société «ALUTECH» sur la livraison des articles commandés au prix et conformément aux conditions indiquées dans la commande doit être rédigé en bonne forme et à la date : (i) du renvoi de la confirmation écrite de la prise en travail de la commande du Client de la part de la société «ALUTECH» ou (ii) de la remise au Client de la facture provisoire ou de la facture définitive sur les articles commandés, signée par la société «ALUTECH», qui garantit que cette confirmation ou facture ont été remises au Client au cours de la période, établie dans la proposition précédente. Conformément à l'article 2.2 les commandes, les factures et les confirmations doivent être rédigées par écrit ou être envoyées par courrier électronique, fax, poste ou à l'aide de courrier.
- 2.3. Après la signature du contrat de vente conformément à l'article 2.2 le client a le droit d'annuler ou de modifier le contrat seulement sous la condition de l'accord écrit de la part de la société «ALUTECH». Dans ce cas le Client est obligé de payer en profit de la société «ALUTECH» une amende conventionnelle équivalente à 10% du prix total de la commande annulée. Le paiement de l'amende conventionnelle par le Client n'abroge pas le droit de la société «ALUTECH» de réclamer la compensation des pertes équivalente au prix total des articles produits au moment de la modification/annulation de la commande aussi bien que le remboursement d'autres dépenses. Si le Client avait effectué un acompte pour la commande qui a été annulée/modifiée, la société «ALUTECH» doit utiliser cet acompte pour rembourser les frais, survenus à l'égard du Client conformément à la déclaration précédente. En cas du refus de la part de la société «ALUTECH» d'accepter les modifications ou l'annulation de la commande, les Parties sont obligées d'exécuter en pleine mesure la commande initiale du Client conformément au Contrat de vente, conclu comme convenu dans l'article 2.2.
- 2.4. Les prix standard comportent les frais de l'établissement et de l'emballage des produits conformément aux prescriptions de la société «ALUTECH». Au cas où la société «ALUTECH» reçoit du client une commande qui exige un emballage non-standardisé ou d'autres conditions non-standardisées, elle doit contacter immédiatement le client et l'informer de la possibilité d'augmentation du prix de la livraison à cause de l'emballage non-standardisé ou d'autres procédures, nécessaires pour l'exécution de la commande. Après cela le client de la société «ALUTECH» doit passer une nouvelle commande tenant compte de l'augmentation du prix ou d'autres règlements, exigés par la société «ALUTECH».
- 2.5. Tous les dessins, les tracés et les données indiqués dans la commande qui concernent les dimensions et le poids des produits ne sont pas obligatoires pour la société «ALUTECH».

3. Prix et modes de paiement

- 3.1. Tous les prix de la société «ALUTECH» sont calculés en EUR HT (hors taxes). Ainsi, au prix net s'ajoute la TVA équivalente au montant, valable pour les produits achetés au moment de l'établissement de facture - document soumis à l'imposition.
- 3.2. Au cas où les dépenses totales de la production des produits conformément à la commande du Client augmentent par rapport aux dépenses totales de la production des produits au moment de la confirmation de la commande par la société «ALUTECH» (par exemple, à cause de l'augmentation du prix des matières premières ou d'autres dépenses), la société «ALUTECH» se réserve le droit d'augmenter le prix de la commande d'une manière adéquate. La société «ALUTECH» prend la responsabilité d'informer immédiatement le Client de l'augmentation du prix. En cas de désaccord aux conditions proposées le client a le droit de résilier le contrat.
- 3.3. Le client effectue le paiement de tout le montant selon les factures d'«ALUTECH» avant l'expédition des produits si les parties n'ont pas signé d'autres accords écrits. Le client effectue le paiement de produits et de services sous forme de virement de tout le montant facturé au compte bancaire d'«ALUTECH» au cours de la période fixée. Le paiement est considéré comme accompli quand la somme est transférée sur le compte de la société «ALUTECH». Tous les frais liés à l'accomplissement du règlement bancaire au cours de paiements conformément aux factures de la société «ALUTECH» sont à la charge du client.
- 3.4. Le client abandonne le droit d'avoir recours aux revendications contraires à l'égard de la société «ALUTECH» au moyen de régularisation de factures de la société «ALUTECH» en l'absence de dispositions contraires écrites.
- 3.5. Si le paiement du client en faveur de la société «ALUTECH» est en retard, la société «ALUTECH» a le droit d'ajouter au client les intérêts conventionnels (dénommés ci-après «Intérêts conventionnels») pour chaque jour de retard jusqu'au moment du paiement. Le paiement des intérêts conventionnels n'exonère pas le client de la responsabilité d'exécuter ses obligations selon le contrat. Si le retard du paiement des produits livrés dépasse 90 jours, le client prend la responsabilité de payer en dehors des intérêts conventionnels une amende équivalente à 2% du montant de la dette pour chaque jour de retard du paiement ou de sa partie avant le moment du paiement jusqu'à 100% du prix des produits et des services impayés. Le paiement par le client des intérêts conventionnels et de l'amende ne prive pas la société «ALUTECH» du droit de revendiquer la compensation de dommages.

4. Conditions de livraison

- 4.1. Les conditions et les délais de livraison font partie de l'offre commerciale d'«ALUTECH» et sont fixés avec tout client d'une manière individuelle. Au cas où les parties ne trouvent pas de compromis concernant les conditions et les délais de livraison au cours de la signature de contrat de vente, les délais et les conditions de livraison sont conformes à Incoterms 2000 EXW (Bor, Czech Republic).
- 4.2. Si la société «ALUTECH» ne respecte pas les délais obligatoires de livraison, stipulés au contrat de vente conformément à l'article 2.2 du présent accord ou confirmés par écrit, le client doit définir par écrit les limites maximales du prolongement des durées de livraison des produits. Si la livraison n'est pas effectuée à l'échéance des délais prolongés de livraison, le client a le droit d'annuler le contrat de vente à cause du retard de la livraison et de ravoir les moyens financiers transférés pour la livraison indiquée.
- 4.3. Les circonstances de force majeure qui ne font pas partie des circonstances conformément au Section 374 du code commercial Tchèque, par exemple, catastrophes naturelles, inondations, incendies, tremblements de terre etc. et d'autres circonstances hors du contrôle des parties, par exemple, embargo national sur les importations et les exportations, pour lesquelles la société «ALUTECH» n'est pas responsable, l'exonère de la responsabilité de respecter les délais de livraison au cours de l'existence de ces circonstances. Si les circonstances de force majeure existent plus de six (6) mois sans possibilité de constater avec certitude qu'ils seront terminées au cours de six (6) mois, les parties ont le droit de résilier le présent contrat de vente et de rendre l'un à l'autre tout ce qui a été reçu conformément au contrat.
- 4.4. Si les frais de livraison sont à la charge de la société «ALUTECH» le client prend la responsabilité de recevoir les produits livrés à l'échéance fixe sans restrictions, c'est-à-dire en premier lieu assurer techniquement le déchargement des produits et effectuer le déchargement des produits au point de destination.
- 4.5. Si le client retarde la réception des produits ou ne respecte pas d'autres obligations, liées à l'assurance du déchargement, l'obligation surgit pour lui de payer en faveur de la société «ALUTECH» toutes les dépenses effectives, liées au déchargement, stockage, rechargement, immobilisation du transport et transportation supplémentaire, causées par la violation de la part du client de ses obligations d'assurer le déchargement.

CONDITIONS COMMERCIALES GÉNÉRALES DE LA SOCIÉTÉ À RESPONSABILITÉ LIMITÉE «ALUTECH SYSTEMS S.R.O.»

4.6. Le client effectue la réception des produits du point de vue de la quantité et de la qualité au cours du déchargement. La remise des produits au client s'effectue sur la base de documents de livraison (bordereau d'expédition). Si le bordereau d'expédition est signé par les deux parties sans exception, cela signifie que les produits ou leur partie confirmée ont été remis en quantité indiquée dans le bordereau d'expédition et que les produits n'ont pas de dégâts visibles.

5. Garanties du vendeur

- 5.1. Le client doit vérifier la qualité et la quantité des produits livrés aussitôt après la réception. Les réclamations qui concernent la quantité des produits sont acceptées au cours de trois (3) jours ouvrables après la réception des produits, en ce qui concerne la qualité, s'il s'agit de défauts apparents, - au cours de trente (30) jours ouvrables du moment de la livraison des produits. Les circonstances indiquées à l'article 4.6 restent inchangées. En cas de réclamations quantitatives ou liées aux défauts apparents des produits de la part du client à l'échéance des délais indiqués, elles sont considérées comme invalides.
- 5.2. En envoyant une réclamation le client doit accorder à la société «ALUTECH» une information complète - photos, description exacte de problème, copie d'étiquette ou ses données (dénomination, code, article, numéro de spécification), quantité de produits défectueux ou de produits qui manquent, date de livraison.
- 5.3. En cas de nécessité le client doit accorder à la société «ALUTECH» la possibilité de vérifier les produits réclamés aussi bien que conserver l'emballage original des produits afin de l'utiliser pour retourner à la société «ALUTECH». Si l'emballage original a été détruit, le client doit utiliser son propre emballage pour transporter les produits.
- 5.4. La société «ALUTECH» réalisera la vérification des produits réclamés et l'évaluation de la réclamation au cours de 14 jours du moment de sa réception. En cas de nécessité le client doit envoyer à la société «ALUTECH» les produits réclamés ou les échantillons pour leur vérification. La société «ALUTECH» réalisera la vérification des produits réclamés au cours de 14 jours du moment de la réception des produits ou des échantillons. La société «ALUTECH» informera le client du rejet ou de l'acceptation de la réclamation.
- 5.5. Si la réclamation du client est considérée comme bien fondée, la société «ALUTECH» éliminera les défauts décelés au moyen de réparation ou de substitution de produits défectueux par des produits sans défauts au cours de trente (30) jours. Si ce n'est pas possible ou si cela implique des dépenses excessivement importantes, la société «ALUTECH» propose et négocie avec le client l'abaissement du prix ou le remboursement de tout le montant, payé pour les produits défectueux ou les produits qui manquent. En cas de remboursement du paiement des produits défectueux les frais liés à leur liquidation sont à la charge du client.
- 5.6. La société «ALUTECH» assume la responsabilité pour les défauts cachés au cours du délai de garantie qui est de douze (12) mois du moment de la livraison des produits. La garantie est assurée seulement si le client utilise les produits conformément à leur destination, stipulée dans le contrat de vente ou sur des conditions standard ou dans des buts standard, si le contrat n'a pas été conclu. Les écarts, admis conformément au standard DIN, ne peuvent pas servir de base pour envoyer une réclamation et par la suite ne sont pas défectueux. La société «ALUTECH» n'est pas responsable pour les défauts des produits causés par l'usure naturelle aussi bien que pour les défauts provoqués par une mauvaise utilisation des produits ou par le stockage dans des conditions inappropriées. Les réclamations sont conservées et examinées au cours du délai de garantie conformément aux règlements de la section 5 du présent accord.

6. Limitation de responsabilité

- 6.1. La responsabilité de la société «ALUTECH» ne concerne pas les défauts des produits causés par l'usure naturelle, les défauts provoqués par une mauvaise utilisation des produits, par le stockage dans des conditions inappropriées ou par une erreur de réparation, aussi bien que les défauts qui ont surgi après la livraison des produits au client à l'exception de cas qui sont couverts par la garantie conformément à l'article 5.6 des présentes conditions de l'accord.
- 6.2. La somme totale des engagements de la société «ALUTECH» envers le client pour tout dégât, y compris le dommage effectif et la perte des bénéfices, causés par l'annulation du contrat de vente, signé par la société «ALUTECH» conformément à l'article 2.2 (y compris toute annulation de ces Conditions), ou la violation des obligations de la société «ALUTECH» fondées sur la loi et liées au présent contrat est limitée au prix total des produits, qui sont touchés par l'annulation du contrat. Le présent accord sur la limitation de mesure de la responsabilité détermine la mesure prévisible et fondée de dommage à laquelle la société «ALUTECH» peut s'attendre au cours de la signature de contrat de vente correspondant comme conséquence possible de la violation de ses obligations conformément au présent contrat ou la violation de ses obligations fondées sur la loi et liées au présent contrat aussi bien que la violation des obligations qui peut avoir lieu au cours de l'exécution du présent contrat de vente.

7. Préservation du droit de propriété

- 7.1. La société «ALUTECH» se réserve le droit d'être la propriétaire de tous les produits livrés jusqu'au moment du paiement de ses obligations du client à l'égard de la société «ALUTECH» y compris les dépenses possibles supplémentaires liées à la transportation et/ou les intérêts conventionnels pour le retard et/ou l'amende. La société «ALUTECH» a le droit de retarder la livraison des produits au client jusqu'au moment du paiement complet de ses demandes de paiement à l'égard du client. Si le client agit au nom de tiers ou comme intermédiaire, il prend toute la responsabilité pour les conséquences du fait que la société «ALUTECH» continue à être la propriétaire des produits jusqu'au moment de leur paiement dont il doit informer son mandant ou l'acheteur final.
- 7.2. Les produits qui sont la propriété de la société «ALUTECH» ne peuvent pas être mis en gage à tiers y compris comme assurance de créances jusqu'au paiement complet. Le client doit utiliser ces produits de la bonne façon et dans les buts standard aussi bien que faire tout le nécessaire pour prévenir le dommage des produits de la société «ALUTECH» jusqu'au moment du paiement complet.
- 7.3. Si le client viole les obligations indiquées à l'article 7 ou s'il ne peut pas réaliser le paiement complet au cours de 30 jours du moment de la réception de l'avis de la violation du contrat, la société «ALUTECH» a le droit de résilier tout contrat de vente, surgi après la confirmation de la commande des produits par le client qui se trouve en sa possession, et de prendre sans empêchement tous les produits. Et avec cela ni restitution des produits, ni paiement des sanctions contractuelles ne privent pas la société «ALUTECH» du droit de revendiquer la compensation des dommages.

8. Droit applicable et lieu de règlement de litiges

- 8.1. Les présentes conditions sont réglées par la Convention de l'ONU sur les contrats de vente internationale et par les Principes de contrat commerciaux internationaux (Principes UNIDROIT). Si ces Principes ne peuvent pas être appliqués les prescriptions du droit de la République Tchèque entrent en vigueur, en particulier la Loi 513/1991 Coll., du code commercial.
- 8.2. Tous les litiges qui concernent les relations conformément au contrat et/ou l'exécution des présentes Conditions et/ou les contrats de vente conformément à l'article 2.2 et/ou l'exécution, la violation, l'annulation et la résiliation du contrat, qui ne peuvent pas être résolus au moyen de négociations au cours de 20 jours, seront résolus conformément au Règlement de l'institut d'arbitrage de la chambre de commerce de Stockholm. Lieu de la tenue des sessions d'arbitrage - Prague, République Tchèque. Langue officielle des procédures judiciaires - l'anglais. Si une procédure judiciaire nouvelle surgit entre les parties en dehors d'autres procédures judiciaires existantes, les parties acceptent par la présente de réunir toutes les procédures judiciaires.
- 8.3. Conformément à l'article 8.2 avant de procéder à toute procédure judiciaire la société «ALUTECH» a le droit d'engager sur sa propre initiative une action contre le client dans le tribunal correspondant du pays, dans lequel la société du client est enregistrée.
- 8.4. Au cours de procédure judiciaire conformément à l'article 8.2 la société «ALUTECH» n'a pas le droit de se référer au litige concernant une certaine livraison et/ou à des actions contraires possibles dans les tribunaux conformément aux descriptions de l'article 8.3. Si une procédure judiciaire dans un tribunal déterminé a été commencée les parties sont privées du droit d'avoir recours aux procédures arbitrales. Dans ce cas tous les litiges entre les parties concernant une livraison déterminée et/ou des actions contraires possibles sont résolus seulement dans ce tribunal.
- 8.5. L'article 8 ne prive pas les parties de contester le jugement du tribunal dans les instances suprêmes.

Bor, juillet 2010

ALUTECH Systems s.r.o.

GENERAL BUSINESS TERMS OF ALUTECH SYSTEMS, S.R.O.

With its registered office at Bor, Nová Hospoda 19, district of Tachov, 348 02, Czech Republic, ID No.: 290 89 077, incorporated in the Commercial Register kept on file at the Regional Court in Plzeň, Section C, Insert 24004

1. Scope of General Business Terms

- 1.1. These General Business Terms (hereinafter the "Terms") form an integral part of all the trade agreements concluded between ALUTECH Systems, s.r.o. (hereinafter "ALUTECH" or the "Company") and the signed counterparty (hereinafter the "Customer"). ALUTECH shall deliver goods, provide services, and submit proposals exclusively on the basis of these Terms.
- 1.2. Any general terms, business terms or other documents of the Customer shall not be binding on ALUTECH irrespective of whether or not ALUTECH has raised an objection to such provisions or conditions of the Customer.
- 1.3. Any departures from these Terms if there are any shall be drawn in written form and signed by both parties.

2. Conclusion of Sales Contract

- 2.1. No business offers of ALUTECH shall be binding.
- 2.2. Each order placed by the Customer shall specify at least the type and number of the ordered goods, catalogue number of the goods (if any), unit prices, total price, and proposed delivery date. The order shall be irrevocable and binding on the Customer for a period of 15 days after the date on which it is received by ALUTECH. The Sales Contract between the Customer and ALUTECH for the supply of the ordered goods for the price and under the terms given in the order shall be concluded in the form and on the date of: (i) the delivery of the written confirmation of the order issued to the Customer by ALUTECH or (ii) the delivery of the advance payment invoice or the final invoice for the ordered goods issued to the Customer and signed by ALUTECH, provided that such confirmation or such invoice is delivered to the Customer within the time limit mentioned in the preceding sentence. Orders, invoices, and confirmations under this Article 2.2 shall be executed in writing and shall be delivered by e-mail, fax, post or courier. ALUTECH shall not be under any obligation to confirm any order.
- 2.3. After entering into the Sales Contract under Article 2.2, the Customer shall be entitled to change or cancel the order only with the written consent of ALUTECH. Should that consent be granted, the Customer shall pay ALUTECH a cancellation fee amounting to 10% of the total value of the cancelled order. In addition to that cancellation fee, ALUTECH shall be entitled to require the payment of the full price of the goods already produced by ALUTECH at the time of the change/cancellation of the order and the reimbursement of all other related costs. If the Customer has made any advance payment for the goods affected by the change/cancellation of the order, ALUTECH shall be entitled to set off the advance payment against the payments which the Customer shall make under the preceding sentence. If ALUTECH does not agree with the change or cancellation of the order, the Parties shall fulfil the Sales Contract concluded in compliance with Article 2.2 to the full extent in accordance with the original order of the Customer.
- 2.4. The standard prices include the costs of the preparation and packing of the goods under the rules of ALUTECH. Should ALUTECH receive from the Customer the order with the requirement for the supply of the goods in non-standard packaging or other non-standard requirements, ALUTECH shall contact the Customer without undue delay and inform the Customer of a price increase related to that non-standard packaging or other adjustments which shall be performed in order to fulfil the order. Subsequently, the Customer of ALUTECH shall place a new order taking into account the price increase and other adjustments required by ALUTECH; failing that, ALUTECH shall be entitled to reject the original order.
- 2.5. Any illustrations and drawings and the data concerning the dimensions and weights given in the orders of ALUTECH shall not be binding.

3. Prices and Terms of Payment

- 3.1. All the prices of ALUTECH are calculated in EUR without VAT. Statutory VAT amounting to the corresponding value of the purchased goods as of the date of issue of a tax document - invoice shall be added to the net price calculated in that manner.
- 3.2. Should the total costs of the inputs required for the production of the goods in accordance the order of the Customer be increased as compared to the total costs of the inputs at the time of the confirmation of such order by ALUTECH (e.g. as a result of an increase in the prices of raw materials or other costs), ALUTECH shall be entitled to increase the price of the order in an appropriate manner provided that ALUTECH shall inform the Customer of such price increase without undue delay. If the Customer does not agree with that, it shall be entitled to withdraw from the contract.
- 3.3. Payment of the invoices issued by ALUTECH shall be due in full prior to dispatch of the goods unless otherwise agreed in writing by the parties. The Customer shall make the payment for the goods and services by transferring the full amount of the outstanding invoice to the bank account of ALUTECH within the time limit specified by the invoice. The payment shall be deemed to have been made on the date on which the bank account of ALUTECH is credited with the amount due. All the costs related to the wire transfers of the payments of the invoices issued by ALUTECH shall be borne by the Customer.
- 3.4. Unless otherwise prearranged in writing, the Customer hereby waives its right to set off the invoices of ALUTECH against its own claims.
- 3.5. Should the payment in favour of ALUTECH not be made until the due date, ALUTECH shall be entitled to charge lawful interest on late payments (hereinafter "Interest") for each day of default until the making of the payment. Any payment of Interest shall be without prejudice to the duty of the Customer to settle its obligations arising from the contract. Should the Customer be in delay with any payment for the supplied goods for longer than 90 days, the Customer shall pay ALUTECH in addition to Interest also a penalty stipulated in the amount of 2% of the amount due for each day of delay or a part thereof, however, not more than 100% of the price of the unpaid goods or services. Any payment of Interest and the penalty by the Customer shall be without prejudice to the right of ALUTECH to claim compensation for damage.

4. Terms of Delivery

- 4.1. The terms of delivery are included in the business proposal of ALUTECH and shall be approved for each Customer individually. Should the Parties fail to agree expressly on the terms of delivery when entering into the Sales Contract, the delivery terms shall be Incoterms 2000 EXW (Bor, Czech Republic).
- 4.2. Should ALUTECH fail to observe any binding time limit agreed in the Sales Contract under Article 2.2 or confirmed in writing, the Customer shall provide the Company in writing with the maximum legally permissible grace period. However, should the supply not be made within the provided grace period, the Customer shall be entitled to withdraw from the Sales Contract affected by the delay and to receive all the payments made under this Sales Contract.
- 4.3. The circumstances excluding liability under Section 374 of the Czech Commercial Code, such as natural disasters, floods, fires, earthquakes, and other similar events which are beyond the control of ALUTECH and which could not have been foreseen or avoided by ALUTECH, including state export or import embargo for which ALUTECH is not responsible, shall relieve ALUTECH of its duty to observe the delivery date. Should the circumstances exist for longer than six (6) months and should it not be possible to establish whether they will cease to exist during the future six (6) months, both Parties shall be entitled to withdraw from the Sales Contract affected by the circumstances and return to each other the performances hitherto received under such contract.
- 4.4. On condition that the supply is executed at the expense of ALUTECH, the Customer shall receive the supplied goods on the given date including, without limitation, to provide technical support in the unloading of the goods and to unload the goods at the place of destination.
- 4.5. If the Customer causes any delay in the acceptance of the goods or the Customer fails to comply with any other of its obligations connected with the unloading of the goods, the Customer shall compensate ALUTECH for all the actual costs connected with the unloading, storage, re-loading, transport delays, and onward transfer resulting from the failure of the Customer to ensure the unloading.
- 4.6. During the unloading, the Customer shall perform the inspection of the quality and quantity of the goods. The goods shall be transferred to the Customer on the basis of the document concerning delivery (bill of delivery). If the bill of delivery is signed by both Parties without reservation, it means that the Customer has received the goods or an agreed part thereof specified by the bill of delivery and that the goods do not show any apparent defects.

GENERAL BUSINESS TERMS OF ALUTECH SYSTEMS, S.R.O.

5. Liability for Defects, Guarantee

- 5.1. The Customer shall check the quantity and quality of the supplied goods upon the receipt of the goods. Any complaints concerning the quantity may be filed within three (3) working days of the date of the receipt of the goods and any complaints concerning the quality in terms of apparent defects may be filed within thirty (30) working days of the date of the receipt of the goods; the provision of Article 4.6, the second sentence, shall remain unaffected. Should the complaints not be filed within the above-mentioned time limits, all the claims of the Customer in relation to the quantity or apparent defects shall expire.
- 5.2. When filing a complaint, the Customer of ALUTECH shall submit all the required information including photographs, an accurate description of problem, a copy of the label or information given on it (description, classification, item, code of the specifications of the working parameters), the quantity of the missing or defective goods, and the date of delivery.
- 5.3. The Customer shall (i) enable ALUTECH to inspect the goods complained of by sending the goods or their samples for inspection to ALUTECH and (ii) keep the original packaging of the goods so that it is possible to use them for transport back to ALUTECH. Unless the original packaging is available, the customer shall use its own packaging for transporting the goods. The Customer shall bear all the costs incurred by the Customer as a result of the dispatch of the goods complained of or samples thereof to ALUTECH. Should the complaint be admitted by ALUTECH, ALUTECH shall compensate the Customer for such costs.
- 5.4. ALUTECH shall check the complaint within 14 days of the receipt thereof. Should it be necessary to send the goods complained of or samples thereof for checking purposes to ALUTECH, ALUTECH shall check the complaint within 14 days of the receipt of the goods or samples. In its statement concerning the complaint, ALUTECH shall notify the customer of whether or not the complaint is admitted.
- 5.5. Should the complaint be admitted, ALUTECH shall repair the defects by means of the repair or replacement of the defective goods by the sound goods or by means of the provision of the additional goods as compensation for the missing goods, within a time limit of thirty (30) days of the date on which the complaint is admitted. Should the procedure not be possible or should it result in unreasonable costs, ALUTECH shall offer and agree with the Customer on a deduction from the price or refund of the total amount for the defective or missing goods. In case of the refund of the payment for the defective goods, the Customer shall bear the costs of the disposal thereof.
- 5.6. ALUTECH provides the guarantee for hidden defects for a period of twelve (12) months after the delivery of the goods to the Customer, provided that the Customer shall use the goods only in the manner and for the purposes agreed in the Sales Contract or, in the event that no such contract has been concluded, in the usual manner and for standard purposes. Any tolerances defined by the DIN standard shall not substantiate the right to complain and shall not be deemed defects. The guarantee shall not apply to the defects of the goods arising from fair wear and tear, incorrect use or improper storage. The complaints within the guarantee shall be filed and settled in compliance with the provisions of this Article 5.

6. Limitation of Liability

- 6.1. ALUTECH shall not be held liable for any defects arising from fair wear and tear, incorrect use, or improper storage or incorrect maintenance or for any damage to the goods occurring after the delivery of the goods to the Customer, except for the cases falling under the scope of guarantee under 5.6 of the Terms.
- 6.2. The total liability of ALUTECH towards the Customer for any damage, including the actual damage and lost profit, arising from any breach of any Sales Contract concluded under Article 2.2 (including any breach of these Terms) by ALUTECH or any breach of the statutory obligations of ALUTECH connected with such contract shall be limited by the total amount corresponding to the total price of the goods affected by that breach. Such agreement on the limitation of the extent of damages constitute the foreseeable and reasonable extent of damages which ALUTECH could expect when entering into the respective Sales Contract as a possible consequence of any breach of its obligations arising from such Sales Contract or breach of its statutory obligations connected with the contract and which could be expected within the given facts and purpose of such Sales Contract.

7. Transfer of Title to Goods

- 7.1. ALUTECH shall remain the owner of all the supplied goods until the Customer has settled all its outstanding obligations towards ALUTECH, including any additional costs connected with transport, interests on late payments and/or a penalty. ALUTECH shall be entitled to suspend the supply of the goods until all the outstanding obligations of the Customer have been settled. Should the Customer act on behalf of third parties or as an agent, the Customer shall assume the responsibility for the consequences arising from the fact that ALUTECH remains the owner of the goods until the settlement of all the outstanding obligations of the Customer, provided that the Customer shall notify the principal or the end buyer of that fact.
- 7.2. The goods which remain in the ownership of ALUTECH shall not be pledged in favour of any third parties or provided as security. The Customer shall use such goods in the usual manner and for standard purposes and shall take all the necessary measures to protect the goods against any damage.
- 7.3. Should the Customer breach any of its obligation under this Article 7 or should the Customer fail to settle all its outstanding obligations within 30 days of the receipt of the warning about the breach of the contract, ALUTECH shall be entitled to withdraw from all the sales contracts related to the goods which have remained in its ownership and take the goods back into its possession which shall not be obstructed by the Customer in any manner. The right of ALUTECH to claim compensation for damage shall not be affected by such taking the goods into possession or payment of penalties.

8. Governing Law and Jurisdiction

- 8.1. These Terms shall be governed by the UN Convention on Contracts for the International Sale of Goods and UNIDROIT Principles of International Commercial Contracts. To the extent not regulated by the said provisions the provisions of the Czech legal regulations, especially Act 513/1991 Coll., the Commercial Code, as subsequently amended, shall apply.
- 8.2. All disputes that may arise from and/or in connection with these Terms and/or any Sales Contract under Article 2.2, and/or the execution, breach, termination or invalidity hereof, which the Parties fail to solve amicably within 20 days, shall be finally settled by arbitration in accordance with the Rules for Expedited Arbitrations of the Arbitration Institute of the Stockholm Chamber of Commerce. The seat of arbitration shall be Prague, Czech Republic. The language of the arbitration shall be English. If an arbitration is commenced concerning a legal relationship in respect of which an arbitration between the parties is already pending, the parties hereby agree to consolidate the new claims with the pending proceedings.
- 8.3. At any time before the commencement of the arbitration proceedings under Article 8.2, ALUTECH shall be entitled to refer any dispute with the Customer at its own discretion to the competent state court of the country in which the Customer has its place of business.
- 8.4. Should the arbitration proceedings be commenced under Article 8.2, ALUTECH shall no longer be entitled to refer the dispute concerning this particular delivery and/or possible counterclaims to state courts within the meaning of Article 8.3. Should the proceedings before any state court under Article 8.3 be commenced, both Parties shall no longer be entitled to institute the arbitration proceedings and in such case all the disputes between the Parties concerning this particular delivery and/or possible counterclaims shall be referred to the given state court.
- 8.5. This Article 8 shall not prevent either Party from seeking an interim order from the competent state court to the extent deemed to be appropriate by the respective Party.

In Bor, July 2010

ALUTECH Systems, s.r.o.

ALLGEMEINE GESCHÄFTSBEDINGUNGEN DER GESELLSCHAFT MIT BESCHRÄNKTER HAFTUNG «ALUTECH SYSTEMS S.R.O.»

Eingetragen in Bor, Nová Hospoda 19, district Tachov, 348 02, Czech Republic, ID No: 290 89 077, im Handelsregister des Amtsbezirkes der Stadt Pilsnen, Abteilung C, Referenz 24004

1. Allgemeines

- 1.1. Sämtlichen Vertragsbeziehungen zwischen der Fa. «ALUTECH Systems s.r.o.» (weiterhin als "ALUTECH" oder "Gesellschaft" bezeichnet) und der anderen Vertragspartei (weiterhin als „Kunde“ bezeichnet) liegen die nachstehenden Allgemeinen Geschäftsbedingungen (weiterhin „Geschäftsbedingungen“) zugrunde. Alle Lieferungen, Angebote und Leistungen werden von der Fa. „ALUTECH“ ausschließlich zu diesen Geschäftsbedingungen erbracht.
- 1.2. Die Allgemeinen Bedingungen, die Geschäftsbedingungen des Kunden sowie auch alle anderen Unterlagen sind für die Fa. „ALUTECH“ nicht verbindlich, auch wenn „ALUTECH“ diesen nicht ausdrücklich widerspricht.
- 1.3. Die Abweichungen von den Geschäftsbedingungen - falls solche vorhanden sind - bedürfen der schriftlichen Form und sollen von den beiden Vertragsparteien unterzeichnet werden.

2. Vertragsabschluss

- 2.1. Die Angebote der Fa. „ALUTECH“ sind freibleibend.
- 2.2. In jeder Bestellung des Kunden sollen mindestens der Typ und die Menge der bestellten Ware, die Katalognummer der Ware (falls vorhanden ist), der Einheitspreis, der Gesamtpreis sowie auch das erwünschte Lieferdatum angegeben werden. Die Bestellung gilt als unwiderruflich und verbindlich für den Kunden innerhalb von 15 Tagen nach dem Empfang der gegebenen Bestellung von der Fa. „ALUTECH“. Der Kaufvertrag zwischen dem Kunden und der Fa. „ALUTECH“ soll wie folgt abgeschlossen werden: (i) in der Form und am Tag der schriftlichen Auftragsbestätigung durch die Fa. „ALUTECH“ oder (ii) nach der Ausstellung der vorläufigen oder endgültigen Faktura für die bestellte Ware, die von der Fa. „ALUTECH“ unterzeichnet ist, unter der Voraussetzung, dass die Auftragsbestätigung oder die Faktura dem Kunden innerhalb von der festgelegten Frist zugestellt wird. Laut der Ziffer 2.2 bedürfen alle Bestellungen, Faktura und Auftragsbestätigungen der Schriftform und können per E-Mail, per Fax, per Post oder mit einem Eilboten geschickt werden.
- 2.3. Nach der Unterzeichnung des Kaufvertrages laut der Ziffer 2.2. kann der Kunde bei der schriftlichen Genehmigung der Fa. „ALUTECH“ die Bestellung ändern oder rückgängig machen. In diesem Fall ist der Kunde verpflichtet, der Fa. „ALUTECH“ eine Vertragsstrafe in Höhe von 10% vom Preis der abbestellten Ware zu zahlen. Die Fa. „ALUTECH“ behält sich vor, einen Anspruch auf den Ersatz der Kosten für die hergestellten Waren am Tag der Änderung des Auftrages/Abbestellung geltend zu machen. Im Fall der Anzahlung für den Auftrag, der weiterhin geändert oder rückgängig gemacht wird, ist die Fa. „ALUTECH“ verpflichtet, diese Anzahlung zum Ausgleich der Kosten des Kunden aufzurechnen, die ihm aus der vorgängigen Bestellung entstanden sind. Ist die Fa. „ALUTECH“ mit der Änderung des Auftrages oder mit der Abbestellung nicht einverstanden, sind die Vertragsparteien verpflichtet, die Lieferungen in vollem Umfang laut der ursprünglichen Bestellung des Kunden gemäß dem Kaufvertrag, der laut der Ziffer 2.2 abgeschlossen ist, zu machen.
- 2.4. Die üblichen Preise inkludieren die Kosten für die Abfertigung und Verpackung der Ware laut den Forderungen der Fa. „ALUTECH“. Bekommt die Fa. „ALUTECH“ einen Auftrag, der nicht übliche Verpackung oder andere nicht übliche Bedingungen voraussetzt, ist sie verpflichtet, unverzüglich den Kontakt mit dem Kunden aufzunehmen und ihn von der möglichen Erhöhung des Lieferpreises wegen der nicht üblichen Verpackung oder der anderen nicht üblichen Maßnahmen zu benachrichtigen. Nach dieser Benachrichtigung ist der Kunde verpflichtet, die neue Bestellung bei der Berücksichtigung des erhöhten Lieferpreises sowie auch der anderen Bedingungen der Fa. „ALUTECH“ zu machen. Wird die neue Bestellung vom Kunden nicht gemacht, ist die Fa. „ALUTECH“ berechtigt, die ursprüngliche Bestellung des Kunden abzulehnen.
- 2.5. Alle Bilder, Zeichnungen und Informationen über die Größe und Gewicht der Ware, die in den Bestellungen angegeben sind, sind für die Fa. „ALUTECH“ nicht verbindlich.

3. Preise und Zahlungsbedingungen

- 3.1. Alle Preise der Fa. „ALUTECH“ verstehen sich in Euro, zzgl. gesetzlich vorgeschriebene MwSt. Den angegebenen Nettopreisen soll die gesetzlich vorgeschriebene MwSt. für die bestellte Ware am Tag der Ausstellung der Faktura, die als Beleg für die Steuerzahlung gilt, zugerechnet werden.
- 3.2. Im Fall der Erhöhung der Kosten für die Produktion der Ware im Vergleich zu den Kosten am Tag der Auftragsbestätigung (z.B. wegen der Rohstoffverteuerung oder Erhöhung der anderen Kosten) ist die Fa. „ALUTECH“ berechtigt, dementsprechend den Preis des Auftrags zu erhöhen. Die Fa. „ALUTECH“ ist verpflichtet, den Kunden unverzüglich von der Preissteigerung zu benachrichtigen. Ist der Kunde mit neuen Bedingungen nicht einverstanden, ist er berechtigt, vom Vertrag zurückzutreten.
- 3.3. Die Faktura-Rechnungen der Fa. „ALUTECH“ werden vom Kunden in vollem Umfang vor dem Versand der Ware bezahlt, wenn die Vertragsparteien keine anderen schriftlichen Vereinbarungen getroffen haben. Der Kunde bezahlt die Ware und die Leistungen der Fa. „ALUTECH“ durch die Überweisung der in der Faktura ausgestellten Summe auf das Bankkonto der Fa. „ALUTECH“ innerhalb von der festgesetzten Frist. Die Zahlung gilt als erfolgt bei der Buchung der in der Rechnung ausgestellten Summe auf das Konto der Fa. „ALUTECH“. Alle Bankspesen aus den Faktura-Rechnungen der Fa. „ALUTECH“ gehen zu Lasten des Kunden.
- 3.4. Der Kunde verzichtet auf das Recht auf die Begleichung seiner Forderungen an die Fa. „ALUTECH“ durch die gegenseitige Aufrechnung der Faktura der Fa. „ALUTECH“, wenn von den Vertragsparteien im voraus schriftlich nichts anderes festgelegt ist.
- 3.5. Beim Zahlungsverzug ist die Fa. „ALUTECH“ berechtigt, vom Kunden die Zahlung der Verzugszinsen für jeden Verzugstag bis vollständige Bezahlung der Rechnung zu verlangen (weiterhin als „Verzugszinsen“ bezeichnet). Die Zahlung der Verzugszinsen entbindet den Kunden nicht von der Erfüllung seiner Vertragsverpflichtungen. Überschreitet der Zahlungsverzug 90 Tage, ist der Kunde verpflichtet, neben den Verzugszinsen eine Vertragsstrafe in Höhe von 2 % von der nicht bezahlten Summe für jeden Verzugstag bis volle Bezahlung der Schuldsumme zu zahlen, jedoch nicht mehr als 100% vom Preis der nicht bezahlten Ware oder Leistung. Das Recht der Fa. „ALUTECH“ auf die Geltendmachung der Ansprüche für den Ersatz des Schadens ist auch nach der Bezahlung der Verzugszinsen und der Vertragsstrafe durch den Kunden vorbehalten.

4. Lieferbedingungen

- 4.1. Die Lieferbedingungen - und Fristen gelten als Bestandteil des Angebotes der Fa. „ALUTECH“ und werden persönlich mit jedem Kunden abgestimmt. Wenn die Vertragsparteien beim Vertragsabschluss zum Einverständnis bezüglich der Lieferbedingungen-und Fristen nicht kommen, werden die Lieferbedingungen -und Fristen laut Incoterms 2000 EXW (Bor, Czech Republic) geregelt.
- 4.2. Werden von der Fa. „ALUTECH“ die verbindlichen Lieferfristen, die im Kaufvertrag laut der Ziffer 2.2. der vorliegenden Geschäftsbedingungen festgesetzt oder schriftlich bestätigt sind, nicht eingehalten, ist der Kunde verpflichtet, schriftlich die größtmögliche Frist für die Lieferung der Ware festzusetzen. Wird die Ware innerhalb von dieser Frist nicht geliefert, ist der Kunde berechtigt, den Kaufvertrag wegen des Lieferverzugs zu kündigen und die überwiesenen Geldmittel für die angegebene Lieferung zurückzubekommen.
- 4.3. Beim Eintreten der Ereignisse der Höheren Gewalt (die die Erfüllung der Verpflichtungen laut dem Abschnitt 374 des Tschechischen Handelsgesetzbuches verhindern), zum Beispiel. Naturkatastrophen, Überschwemmungen, Brände, Erdbeben usw. sowie auch anderer Ereignisse, die von den Vertragsparteien nicht verhindert werden können, zum Beispiel, Ausfuhr- oder Einfuhrverbot der Waren, für die die Fa. „ALUTECH“ keine Verantwortung trägt, werden die Vertragsparteien von der Erfüllung ihrer Verpflichtungen aus dem Kaufvertrag für die Dauer der Ereignisse der Höheren Gewalt entbunden. Wenn die Ereignisse der Höheren Gewalt über 6 (sechs) Monate dauern oder wenn die Vertragsparteien nicht sicher sind, dass die Ereignisse der Höheren Gewalt innerhalb von 6 (sechs) Monaten aufhören, sind die beiden Vertragsparteien berechtigt, den Kaufvertrag zu kündigen und entsprechende Zahlungen, die laut dem Kaufvertrag überwiesen sind, zurückzubekommen.
- 4.4. Wird die Lieferung auf Rechnung der Fa. „ALUTECH“ gemacht, ist der Kunde verpflichtet, die gelieferte Ware zu den festgesetzten Fristen ohne jegliche Beschränkungen abzunehmen, das heißt, die Entladung der Ware zu organisieren und die Ware am Bestimmungsort zu entladen.
- 4.5. Kommt der Kunde mit der Abnahme der Ware in Verzug oder verletzt er seine anderen Verpflichtungen, die mit der Entladung der Ware verbunden sind, muss er der Fa. „ALUTECH“ alle tatsächlichen Kosten aus der Entladung, Lagerung, Rückverladung, Standzeit der Transportmittel sowie auch aus dem zusätzlichen Transport der Ware erstatten, die durch die Verletzung der Verpflichtungen des Kunden verursacht sind.
- 4.6. Bei der Entladung der Ware wird die Qualität der Ware und die Vollständigkeit der Lieferung vom Kunden geprüft. Die Ware wird dem Kunden auf Grund des Lieferscheines übergeben. Wird der Lieferschein von beiden Vertragsparteien unterzeichnet, bedeutet das, dass die Ware oder der angegebene Teil der Ware in der im Lieferschein angegebenen Menge geliefert wurde und die Ware keine offensiblen Beschädigungen hat.

ALLGEMEINE GESCHÄFTSBEDINGUNGEN DER GESELLSCHAFT MIT BESCHRÄNKTER HAFTUNG «ALUTECH SYSTEMS S.R.O.»

5. Haftung des Verkäufers

- 5.1. Der Kunde ist verpflichtet, jede Lieferung beim Empfang sofort auf Vollständigkeit und Mängelfreiheit zu untersuchen. Die Reklamationen wegen der Unvollständigkeit der Lieferung werden innerhalb von 3 (drei) Arbeitstagen nach der Lieferung der Ware geltend gemacht. Die Reklamationen wegen der offensibaren Mängel der Ware werden innerhalb von 30 (dreißig) Arbeitstagen nach der Lieferung geltend gemacht. Die Verpflichtungen, die in der Ziffer 4.6. angegeben sind, bleiben unberührt. Die Reklamationen wegen der Unvollständigkeit der Lieferung oder Mängel der Ware, die nach der festgesetzten Frist geltend gemacht werden, werden nicht anerkannt.
- 5.2. Bei der Geltendmachung einer Reklamation ist der Kunde verpflichtet, der Fa. „ALUTECH“ die vollständige Informationen zur Verfügung zu stellen - Bilder, genaue Beschreibung der Mängel, Kopie der Etikette oder die Informationen, die auf einer Etikette angegeben sind (Bezeichnung, Kode, Warenartikel, Nummer der Spezifikation), genaue Menge der mangelhaften oder mangelhaften Ware, Lieferdatum.
- 5.3. Bei Bedarf ist der Kunde verpflichtet, die zu reklamierende Ware zur Prüfung der Fa. „ALUTECH“ bereitzustellen und die Originalverpackung der Ware zwecks der Rücklieferung der Ware der Fa. „ALUTECH“ aufzubewahren. Wenn die Originalverpackung vernichtet ist, soll der Kunde die Verpackung zum Transport der Ware besorgen.
- 5.4. Die Fa. „ALUTECH“ ist verpflichtet, die Reklamation innerhalb von 14 Tagen nach dem Empfang zu prüfen. Bei Bedarf ist der Kunde verpflichtet, die zu reklamierende Ware oder die Muster für die Prüfung der Ware an die Fa. „ALUTECH“ zu schicken. Die Fa. „ALUTECH“ ist verpflichtet, die zu reklamierende Ware oder Muster innerhalb von 14 Tagen nach dem Empfang zu prüfen. Die Fa. „ALUTECH“ ist verpflichtet, den Kunden von der Anerkennung oder Nichtanerkennung seiner Reklamation zu benachrichtigen.
- 5.5. Wird die Reklamation des Kunden als begründet anerkannt, ist die Fa. „ALUTECH“ verpflichtet, innerhalb von 30 (dreißig) Tagen die entdeckten Mängel zu beheben oder die Ware durch die mangelfreie Ware zu ersetzen. Wenn die Reparatur oder der Ersatz der Ware als unmöglich gilt oder große Kosten voraussetzt, stimmt die Fa. „ALUTECH“ mit dem Kunden die mögliche Preisminderung oder Rückzahlung der Gesamtsumme, die für die mangelhafte oder fehlende Ware gezahlt wurde, ab. Bei der Rückzahlung der gesamten Summe für die mangelhafte Ware übernimmt der Kunde alle Kosten für die Verwertung der Ware.
- 5.6. Die Fa. „ALUTECH“ haftet für die verdeckten Mängel, die innerhalb von der Garantiefrist entdeckt werden. Die Garantiefrist beträgt 12 (zwölf) Monate nach der Lieferung der Ware. Die Garantie für die Ware gilt nur im Fall der bestimmungsgemäßen Verwendung der Ware, die im Kaufvertrag angegeben wird, oder im Fall der üblichen Verwendung der Ware zu üblichen Zielen, wenn keinen Kaufvertrag abgeschlossen ist. Die Abweichungen, die laut DIN-Forderungen als zulässig gelten, werden als Mängel nicht anerkannt und gelten nicht als Grund für die Mängelrügen. Die Fa. „ALUTECH“ haftet nicht für die Fehler der Ware, die sich aus dem natürlichen Verschleiß der Ware ergeben, sowie auch für die Mängel, die durch die unsachgemäße Verwendung und Lagerung der Ware verursacht sind. Alle Reklamationen werden innerhalb von der Garantiefrist laut den Bestimmungen des Abschnittes 5 der vorliegenden Geschäftsbedingungen geprüft und behandelt.

6. Beschränkung der Haftung

- 6.1. Die Fa. „ALUTECH“ haftet nicht für die Fehler der Ware, die sich aus dem natürlichen Verschleiß der Ware ergeben, sowie auch für die Mängel, die durch die unsachgemäße Verwendung, Lagerung und Reparatur der Ware verursacht sind, außer den Fällen, die der Garantie laut der Ziffer 5.6. der vorliegenden Geschäftsbedingungen unterliegen.
- 6.2. Die Gesamtsumme des Schadenersatzes der Fa. „ALUTECH“ gegenüber dem Kunden für jeden Schaden, darunter auch für den tatsächlichen Schaden und den entgangenen Gewinn, die durch die Kündigung des Kaufvertrages durch die Fa. „ALUTECH“ laut der Ziffer 2.2 (darunter auch durch jedes Zurücktreten von den vorliegenden Geschäftsbedingungen) oder durch die Verletzung jeglicher vertraglichen Verpflichtungen durch die Fa. „ALUTECH“ verursacht sind, beschränkt sich auf den Gesamtwert der Ware, für den der gegebene Schadenersatz gilt. Durch diese Vereinbarung über die Haftungsbeschränkung wird die Höhe des absehbaren und begründeten Schadens festgelegt, die die Fa. „ALUTECH“ beim Abschluss des jeweiligen Kaufvertrages als wahrscheinliche Folge aus der Verletzung der vertraglichen Verpflichtungen oder im Rahmen der Abwicklung des Kaufvertrages erwarten kann.

7. Eigentumsvorbehalt

- 7.1. Alle gelieferten Waren bleiben im Eigentum der Fa. „ALUTECH“ bis zur Bezahlung sämtlicher Forderungen aus der Geschäftsverbindung zwischen der Fa. „ALUTECH“ und dem Kunden, darunter auch bis zur Bezahlung der möglichen zusätzlichen Transportkosten und/oder Verzugszinsen und/oder Vertragsstrafe. Die Fa. „ALUTECH“ ist berechtigt, die Lieferung der Ware bis zur vollen Bezahlung der Verpflichtungen des Kunden einzustellen. Wenn der Kunde im Namen einer Drittperson oder als Vermittler handelt, übernimmt er die volle Haftung für mögliche Folgen des Eigentumsrechtes der Fa. „ALUTECH“ und muss seinen Vollmachtgeber oder den Endkunden über den Eigentumsvorbehalt der Fa. „ALUTECH“ informieren.
- 7.2. Die Ware, die im Eigentum der Fa. „ALUTECH“ bleibt, kann nicht verpfändet oder als Sicherstellung den Drittpersonen übergeben werden. Der Kunde ist verpflichtet, die gegebene Ware bestimmungsgemäß zu verwenden und alle Maßnahmen zur Verhinderung der möglichen Beschädigung der Ware, die vor der vollständigen Bezahlung als Eigentum der Fa. „ALUTECH“ gilt, zu treffen.
- 7.3. Wenn der Kunde seine Verpflichtungen aus der Ziffer 7 verletzt oder die Zahlung innerhalb von 30 Tagen nach der Benachrichtigung von der Vertragsverletzung nicht leisten kann, ist die Fa. „ALUTECH“ berechtigt, jeglichen Kaufvertrag zu kündigen und ungehindert die Ware beim Kunden abzuholen. Unbeschadet der Rücklieferung der Ware und Bezahlung der Vertragsstrafe durch den Kunden ist die Fa. „ALUTECH“ berechtigt, die Schadenersatzansprüche geltend zu machen.

8. Anzuwendendes Recht und Gerichtsstand

- 8.1. Die vorliegenden Geschäftsbedingungen werden durch das Übereinkommen der Vereinten Nationen über den internationalen Warenkauf und durch die Prinzipien der internationalen Handelsverträge (UNIDROIT-Prinzipien) geregelt. Wenn die Verwendung dieser Prinzipien als unmöglich gilt, finden die Rechtsvorschriften der Tschechischen Republik, insbesondere das Gesetz 513/1991 Coll. des Handelsgesetzbuches die Verwendung.
- 8.2. Alle Streitigkeiten und Auseinandersetzungen aus den vertraglichen Geschäftsbeziehungen und/oder Erfüllung der vorliegenden Geschäftsbedingungen und/oder aus der Abwicklung der Kaufverträge laut der Ziffer 2.2. sowie auch alle Streitigkeiten aus der Abwicklung oder Kündigung der Verträge werden von den Vertragsparteien im Verhandlungsweg innerhalb von 20 Tagen beigelegt. Kommen die Vertragsparteien nicht zum Einverständnis, werden die Streitigkeiten laut der Gerichtsordnung des Schiedsgerichtes bei der Handelskammer Stockholms beigelegt. Das Gerichtsverfahren des Schiedsgerichtes wird in Prag, Tschechische Republik, durchgeführt. Die offizielle Gerichtssprache ist Englisch. Beginnen die Vertragsparteien eine neue Gerichtsverhandlung, soll diese alle vorhandenen Gerichtsverhandlungen zwischen den Vertragsparteien vereinigen.
- 8.3. Laut der Ziffer 8.2. ist die Fa. „ALUTECH“ berechtigt, vor jedem Gerichtsverfahren nach ihrem Ermessen eine Klage gegen den Kunden bei dem zuständigen staatlichen Gericht im Land, in dem die Firma des Kunden registriert ist, anhängig zu machen.
- 8.4. Beim Beginn des Gerichtsverfahrens laut der Ziffer 8.2. ist die Fa. „ALUTECH“ nicht berechtigt, sich auf die Streitigkeiten wegen einer bestimmten Lieferung sowie auch auf die Streitigkeiten wegen der möglichen Gegenklagen laut den Bestimmungen der Ziffer 8.3. zu beziehen. Beim Beginn des Gerichtsverfahrens bei einem bestimmten Gericht laut der Ziffer 8.3. verlieren die Vertragsparteien das Recht auf das Schiedsgerichtsverfahren. In diesem Fall werden alle Streitigkeiten wegen einer bestimmten Lieferung und/oder wegen der möglichen Gegenklagen nur bei diesem Gericht behandelt.
- 8.5. Durch die Ziffer 8 ist es den Vertragsparteien verboten, den Gerichtsbeschluss bei höheren staatlichen Gerichten anzufechten.

Bor, Juli 2010

ALUTECH Systems s.r.o.

Liste alphabétique Index Sachverzeichnis

Référence • Article • Artikel	Dénomination	Description	Bezeichnung	Page • Page • Seite
ADA/60	ADAPTATEUR	ADAPTER	ADAPTER	09.26
ADA/70	ADAPTATEUR	ADAPTER	ADAPTER	09.26
ADA/102	ADAPTATEUR	ADAPTER	ADAPTER	09.26
ADF/40	ADAPTATEUR	ADAPTER	ADAPTER	09.15
ADF/50	ADAPTATEUR	ADAPTER	ADAPTER	09.15
ADF/60	ADAPTATEUR	ADAPTER	ADAPTER	09.16
ADF/102	ADAPTATEUR	ADAPTER	ADAPTER	09.16
ADL/60	ADAPTATEUR	ADAPTER	ADAPTER	09.22
ADL/70S	ADAPTATEUR	ADAPTER	ADAPTER	09.22
ADL/102	ADAPTATEUR	ADAPTER	ADAPTER	09.22
ADS/108	ADAPTATEUR	ADAPTER	ADAPTER	09.17
AEG30/S	LAME DE RENFORT	REINFORCER PROFILE	VERSTÄRKUNGSPROFIL	04.07
AEG45/S	LAME DE RENFORT	REINFORCER PROFILE	VERSTÄRKUNGSPROFIL	04.10
AEG56F	PROFILÉ DE FIXATION	RETAINER PROFILE	BEFESTIGUNGSLEISTE	08.17
AEG56	LAME POUR GRILLES ENROULABLES	GRILLWORK PROFILE	GITTERPROFIL	04.04
AEG56/P	LAME POUR GRILLE ENROULABLES	GRILLE-WORK PROFILE	ROLLGITTERPROFIL	04.05
AEG77F	PROFILÉ DE FIXATION	RETAINER PROFILE	BEFESTIGUNGSLEISTE	08.15
AEG84F	PROFILÉ DE FIXATION	RETAINER PROFILE	BEFESTIGUNGSLEISTE	08.17
AEG84	LAME POUR GRILLES ENROULABLES	GRILLWORK PROFILE	GITTERPROFIL	04.08
AER37F	PROFILÉ DE FIXATION	RETAINER PROFILE	BEFESTIGUNGSLEISTE	08.16
AER42	LAME ALU EXTRUDÉE	EXTRUDED ALUMINIUM PROFILE	STRANGGEPRESSTES ALUMINIUMPROFIL	01.13
AER44F	PROFILÉ DE FIXATION	RETAINER PROFILE	BEFESTIGUNGSLEISTE	08.16
AER44M/S	LAME ALU EXTRUDÉE	EXTRUDED ALUMINIUM PROFILE	STRANGGEPRESSTES ALUMINIUMPROFIL	01.14
AER44/S	LAME ALU EXTRUDÉE	EXTRUDED ALUMINIUM PROFILE	STRANGGEPRESSTES ALUMINIUMPROFIL	01.15
AER55F/SCR	PROFILÉ DE FIXATION	RETAINER PROFILE	BEFESTIGUNGSLEISTE	08.16
AER55M/S	LAME ALU EXTRUDÉE	EXTRUDED ALUMINIUM PROFILE	STRANGGEPRESSTES ALUMINIUMPROFIL	01.17
AER55/S	LAME ALU EXTRUDÉE	EXTRUDED ALUMINIUM PROFILE	STRANGGEPRESSTES ALUMINIUMPROFIL	01.16
AER56	LAME ALU EXTRUDÉE	EXTRUDED ALUMINIUM PROFILE	STRANGGEPRESSTES ALUMINIUMPROFIL	04.06
AER84	LAME ALU EXTRUDÉE	EXTRUDED ALUMINIUM PROFILE	STRANGGEPRESSTES ALUMINIUMPROFIL	04.09
AES20	CORNIÈRE	END ANGLE	WINKEL-PROFIL	05.21
AES25	CORNIÈRE	END ANGLE	WINKEL-PROFIL	05.21
AES30x20	CORNIÈRE	END ANGLE	WINKEL-PROFIL	05.21
AG/77H	LAME POUR PG À MOUSSE DURE	ALUMINIUM PROFILE	ALUMINIUMPROFIL	03.06
AG/77	LAME ALU POUR PG	ALUMINIUM PROFILE	ALUMINIUMPROFIL	03.04
AL	SERRURE AUTOMATIQUE	AUTOMATIC LOCKING DEVICE (AUTOMATIC LOCK)	AUTOMATISCHER RIEGEL	11.06
ALUTECH AM0 SERIES	MOTEURS ÉLECTRIQUES	TUBULAR ELECTRIC MOTORS	ELEKTRISCHER EINSTECKANTRIEB	09.23
ALUTECH AM1-PP SERIES	MOTEURS ÉLECTRIQUES	TUBULAR ELECTRIC MOTORS	ELEKTRISCHER EINSTECKANTRIEB	09.24
ALUTECH AM1 SERIES	MOTEURS ÉLECTRIQUES	TUBULAR ELECTRIC MOTORS	ELEKTRISCHER EINSTECKANTRIEB	09.23
ALUTECH AM2-PP	MOTEURS ÉLECTRIQUES	TUBULAR ELECTRIC MOTORS	ELEKTRISCHER EINSTECKANTRIEB	09.25
ALUTECH AM2 SERIES	MOTEURS ÉLECTRIQUES	TUBULAR ELECTRIC MOTORS	ELEKTRISCHER EINSTECKANTRIEB	09.24
ANG	CORNIÈRE DE FIXATION	FIXING ANGLE	BEFESTIGUNGSWINKEL	10.10
AN-MOTORS NK1 SERIES	MOTEUR TUBULAIRE ÉLECTRIQUE	TUBULAR ELECTRIC MOTOR	ELEKTRISCHER EINSTECKANTRIEB	09.19
AN-MOTORS NM1-PP SERIES	MOTEUR TUBULAIRE ÉLECTRIQUE	TUBULAR ELECTRIC MOTOR	ELEKTRISCHER EINSTECKANTRIEB	09.20
AN-MOTORS NM2-PP SERIES	MOTEUR TUBULAIRE ÉLECTRIQUE	TUBULAR ELECTRIC MOTOR	ELEKTRISCHER EINSTECKANTRIEB	09.21
AN-MOTORS NR0 SERIES	MOTEUR TUBULAIRE ÉLECTRIQUE	TUBULAR ELECTRIC MOTOR	ELEKTRISCHER EINSTECKANTRIEB	09.19
AN-MOTORS NR2 SERIES	MOTEUR TUBULAIRE ÉLECTRIQUE	TUBULAR ELECTRIC MOTOR	ELEKTRISCHER EINSTECKANTRIEB	09.20

Référence • Article • Artikel	Dénomination	Description	Bezeichnung	Page • Page • Seite
APB60, APB60AL, APB70, APB70AL, APB102/B	EMBOUT MODULABLE	ADJUSTABLE CAP	WELLENBOLZEN	08.08
APB102/S	EMBOUT MODULABLE	ADJUSTABLE CAP	WELLENBOLZEN	08.08
AR/39 (N)	LAME ALU	ALUMINIUM PROFILE	ALUMINIUMPROFIL	01.03
AR/40 (N)	LAME ALU	ALUMINIUM PROFILE	ALUMINIUMPROFIL	01.04
AR/41 (N)	LAME ALU	ALUMINIUM PROFILE	ALUMINIUMPROFIL	01.06
AR/45 (N)	LAME ALU	ALUMINIUM PROFILE	ALUMINIUMPROFIL	01.07
AR/52 (N)	LAME ALU	ALUMINIUM PROFILE	ALUMINIUMPROFIL	01.08
AR/55M (N)	LAME ALU	ALUMINIUM PROFILE	ALUMINIUMPROFIL	01.12
AR/55 (N)	LAME ALU	ALUMINIUM PROFILE	ALUMINIUMPROFIL	01.10
AR/377 (N)	LAME ALU	ALUMINIUM PROFILE	ALUMINIUMPROFIL	01.01
AR/555 (N)	LAME ALU	ALUMINIUM PROFILE	ALUMINIUMPROFIL	01.09
ARH/375 (N)	LAME ALU AVEC MOUSSE PU SUPER DURE	ALUMINIUM PROFILE WITH SUPER SOLID PU FOAM	ALUMINIUMPROFIL MIT SUPERHARTEM PU-SCHAUM	01.02
ARH/40 (N)	LAME ALU	ALUMINIUM PROFILE	ALUMINIUMPROFIL	01.05
ARH/55 (N)	LAME ALU	ALUMINIUM PROFILE	ALUMINIUMPROFIL	01.11
AXROLL	COMMANDE RADIO	RADIO CONTROL	FUNKSTEUERUNG	09.34
BB12x28	PALIER	BALL BEARING	KUGELLAGER	08.19
BB42, BB42/P	PALIER	BALL BEARING	KUGELLAGER	08.21
BBC40	EMBOUT POUR PALIER	BEARING CAP	KAPSEL FÜR LAGER	08.07
BBC60	EMBOUT POUR PALIER	BEARING CAP	KAPSEL FÜR LAGER	08.07
BC	BROCHE	DRIVING PIVOT	KUPPLUNGSSTIFT	10.17
BG	GUIDE POUR CORDON	ROPE GUIDE	SEILLEITROLLE	10.12
BGI/F	GUIDE POUR CÂBLE	CORD GUIDE	SEILLEITROLLE	10.13
BGI	GUIDE POUR CORDON	ROPE GUIDE	SEILLEITROLLE	10.13
BG/U	GUIDE POUR CORDON	ROPE GUIDE	SEILLEITROLLE	10.14
BP4	CORDON	ROPE	SCHNUR	10.10
BP40x13AL, BP60x13AL	EMBOUT DE RÉDUCTEUR	GEAR CAP	WALZENKAPSEL FÜR GETRIEBE	08.07
CAB LT50/LT60	CÂBLE D'ALIMENTATION	POWER CABLE	VERSORGUNGSKABEL	09.17
CAB LT50/LT60 NHK	CÂBLE D'ALIMENTATION	POWER CABLE	VERSORGUNGSKABEL	09.18
CAB OXIMO RTS	CÂBLE D'ALIMENTATION	POWER CABLE	VERSORGUNGSKABEL	09.17
CCM	CONSOLE	CONSOLE	KONSOLE	07.46
CENTRALIS INDOOR RTS	COMMANDE RADIO	RADIO CONTROL	FUNKSTEUERUNG	09.34
CENTRALIS UNO RTS	COMMANDE RADIO	RADIO CONTROL	FUNKSTEUERUNG	09.33
CHRONIS IB	MINUTERIE PROGRAMMABLE	TIMER	PROGRAMMSCHALTUHR	09.36
CHRONIS RTS	RADIOMINUTEUR PROGRAMMÉ	RADIOTIMER	FUNKPROGRAMMSCHALTUHR	09.33
CHRONIS UNO	MINUTERIE PROGRAMMABLE	TIMER	PROGRAMMSCHALTUHR	09.36
CJ7-1000/P	CARDAN 70°	70° CARDAN JOINT	KURBELGESTÄNGE 70°	09.29
CJ7	JOINT DE CARDAN 70°	70° CARDAN JOINT	KURBELGESTÄNGE 70°	09.28
CJ7M	CARDAN 70°	70° CARDAN JOINT	KURBELGESTÄNGE 70°	09.28
CJ7/P	CARDAN 70°	70° CARDAN JOINT	KURBELGESTÄNGE 70°	09.29
CJ8	CARDAN 90°	90° CARDAN JOINT	KURBELGESTÄNGE 90°	10.16
CJ8/S	CARDAN 50°	50° CARDAN JOINT	KURBELGESTÄNGE 50°	10.17
CJ8-1000	CARDAN 90°	90° CARDAN JOINT	KURBELGESTÄNGE 90°	10.17
CL	CLIP DE MANIVELLE	SPRING CLAMP	KLEMME FÜR KURBEL	10.18
COLOR RS	LAQUE	CORRECTION FLUID	STREICHLACK	11.10
DAP/2	INTERRUPTEUR	SWITCH	DREHSCHALTER	09.54
DUP/2	INTERRUPTEUR	SWITCH	DREHSCHALTER	09.55
D-2	SÉPARATION DE DIODES	DIODE UNCOUPLER	DIODEN-VERTEILER	09.51
EA/77	LAME D'AERATION	PROFILE WITH VENTS	LÜFTUNGSPROFIL	03.08
ECT	CLE ELECTRONIQUE	ELECTRONIC KEY	SCHLÜSSEL FÜR ELEKTRONISCHE ZUGANGSKONTROLLE	09.52
ES7 (I)	LAME FINALE	END SLAT	SCHLUSSLEISTE	05.17
ES9x45(I)/ECO	LAME FINALE	END SLAT	SCHLUSSLEISTE	05.08
ES9x45 (I)	LAME FINALE	END SLAT	SCHLUSSLEISTE	05.06
ES9x45R(I)/ECO	LAME FINALE	END SLAT	SCHLUSSLEISTE	05.08
ES9x45R (I)	LAME FINALE	END SLAT	SCHLUSSLEISTE	05.07
ES14x51 (I)	LAME FINALE	END SLAT	SCHLUSSLEISTE	05.09
ES14x51R (I)	LAME FINALE	END SLAT	SCHLUSSLEISTE	05.10
ES/77 (I)	LAME FINALE	END SLAT	SCHLUSSLEISTE	05.16

Référence • Article • Artikel	Dénomination	Description	Bezeichnung	Page • Page • Seite
ES555/77	LAME FINALE	END SLAT	SCHLUSSLEISTE	05.11
ESE9	JOINT	INSERT	KEDEREINLAGE	05.13
ESE14/55	JOINT	INSERT	KEDEREINLAGE	05.13
ESE14	JOINT	INSERT	KEDEREINLAGE	05.13
ESH	RÉGULATEUR	END SWITCH REGULATOR	EINSTELLHILFE	09.18
ESL9x50(I)/ECO	LAME FINALE	END SLAT	SCHLUSSLEISTE	05.03
ESL9x50 (I)	LAME FINALE	END SLAT	SCHLUSSLEISTE	05.04
ESR60 (I)	LAME POUR VERROU	KEY LOCK PROFILE	RIEGELPROFIL	05.18
ESR60R (RI)	LAME POUR VERROU	KEY LOCK PROFILE	RIEGELPROFIL	05.19
ESR/77	LAME A VERROU	KEY LOCK PROFILE	RIEGELPROFIL	05.14
ESR/77R	LAME A VERROU	KEY LOCK PROFILE	RIEGELPROFIL	05.14
ESU8x60E	LAME FINALE UNIVERSELLE	UNIVERSAL END SLAT	UNIVERSAL-SCHLUSSLEISTE	05.02
ESU9x35 (I)	LAME FINALE	END SLAT	SCHLUSSLEISTE	05.01
ESU10x45(I)	LAME FINALE UNIVERSELLE	UNIVERSAL END SLAT	UNIVERSAL-SCHLUSSLEISTE	05.11
ESU13x52 (I)	LAME FINALE UNIVERSELLE	UNIVERSAL END SLAT	UNIVERSAL-SCHLUSSLEISTE	05.05
ESU/77 (I)	LAME FINALE UNIVERSELLE	UNIVERSAL END SLAT	UNIVERSAL-SCHLUSSLEISTE	05.15
ESU88 (I)	LAME FINALE	END SLAT	SCHLUSSLEISTE	05.20
EV/77W	LAME À HUBLOTS	PROFILE WITH WINDOWS	SICHTFENSTERPROFIL	03.07
FG	GUIDE POUR CÂBLE	CORD END GUIDE	SEILLEITROLLE	10.15
FK/SF-B	KIT DE FIXATION POUR JOUES LATÉRALES	KIT OF FASTENERS FOR END CAPS	SET DER BEFESTIGUNGSELEMENTE FÜR BLENDEKAPPEN	07.50
FS18/APB	PIECE DE BLOCAGE POUR EMBOUT MODULABLE	ADJUSTABLE CAP RETAINER	WELLENBOLZEN-FIXIERUNG	08.08
FS	CRAMPON	CLAMP	HALTEKLAMMER	10.20
GC40	EMBOUT DE REDUCTEUR	GEAR CAP	WALZENKAPSEL FÜR GETRIEBE	08.08
GC60	EMBOUT DE REDUCTEUR	GEAR CAP	WALZENKAPSEL FÜR GETRIEBE	08.09
GD9/C	TULIPE	ENTRY GUIDE	EINLAUFTRICHTER	11.03
GD9/D	TULIPE	ENTRY GUIDE	EINLAUFTRICHTER	11.04
GD9	TULIPE	ENTRY GUIDE	EINLAUFTRICHTER	11.02
GD9/U	TULIPE	ENTRY GUIDE	EINLAUFTRICHTER	11.04
GD9/W	TULIPE	ENTRY GUIDE	EINLAUFTRICHTER	11.03
GD14/C	TULIPE	ENTRY GUIDE	EINLAUFTRICHTER	11.05
GD14	TULIPE	ENTRY GUIDE	EINLAUFTRICHTER	11.04
GD14/U	TULIPE	ENTRY GUIDE	EINLAUFTRICHTER	11.05
GD14/W	TULIPE	ENTRY GUIDE	EINLAUFTRICHTER	11.05
GF/C	PIED	BRACKET	HALTERUNG	07.46
GOPRO-MINI	MINICOMMANDE	MINI-RADIO	MINI-HANDSENDER	09.59
GPU/AL, GPU-R/AL	PLAQUE CONSOLE	SAFETY PLATE	ABWEISBLECH	07.49
GPU	PLAQUE CONSOLE	SAFETY PLATE	ABWEISBLECH	07.49
GR45x22E	COULISSES	GUIDE RAILS	FÜHRUNGSSCHIENEN	06.01
GR45x34E	COULISSES	GUIDE RAILS	FÜHRUNGSSCHIENEN	06.02
GR45x60E	COULISSES	GUIDE RAILS	FÜHRUNGSSCHIENEN	06.03
GR53x22/ECO	COULISSES	GUIDE RAILS	FÜHRUNGSSCHIENEN	06.04
GR53x22E	COULISSES	GUIDE RAILS	FÜHRUNGSSCHIENEN	06.05
GR53x34E	COULISSES	GUIDE RAILS	FÜHRUNGSSCHIENEN	06.06
GR53x39E	COULISSES	GUIDE RAILS	FÜHRUNGSSCHIENEN	06.07
GR53x42E	COULISSES	GUIDE RAILS	FÜHRUNGSSCHIENEN	06.08
GR53x60E	COULISSES	GUIDE RAILS	FÜHRUNGSSCHIENEN	06.09
GR60x21/SE	COULISSES	GUIDE RAILS	FÜHRUNGSSCHIENEN	06.12
GR65x24/ECO	COULISSES	GUIDE RAILS	FÜHRUNGSSCHIENEN	06.13
GR65x24E	COULISSES	GUIDE RAILS	FÜHRUNGSSCHIENEN	06.14
GR70x34E	COULISSES	GUIDE RAILS	FÜHRUNGSSCHIENEN	06.18
GR75x27E	COULISSES	GUIDE RAILS	FÜHRUNGSSCHIENEN	06.16
GR75x27/SE	COULISSES	GUIDE RAILS	FÜHRUNGSSCHIENEN	06.17
GR79x22E	COULISSES	GUIDE RAILS	FÜHRUNGSSCHIENEN	06.10
GR83x22E	COULISSES	GUIDE RAILS	FÜHRUNGSSCHIENEN	06.11
GR83x33/ECO	COULISSES	GUIDE RAILS	FÜHRUNGSSCHIENEN	06.19
GR90x33(I)	COULISSES	GUIDE RAILS	FÜHRUNGSSCHIENEN	06.20
GR90x34E	COULISSES	GUIDE RAILS	FÜHRUNGSSCHIENEN	06.21
GR100x35	COULISSES	GUIDE RAILS	FÜHRUNGSSCHIENEN	06.22

Référence • Article • Artikel	Dénomination	Description	Bezeichnung	Page • Page • Seite
GRC53B	EMBOU POUR COULISSE	GUIDE PLUG	FÜHRUNGSSCHIENENABSCHLUSS	06.27
GRC53	CLIP ARRONDI	HALF-ROUND PLUG	RUNDVORSATZPROFIL	06.26
GRC53T	EMBOU POUR COULISSE	GUIDE PLUG	FÜHRUNGSSCHIENENABSCHLUSS	06.27
GRM66x27E	COULISSES	GUIDE RAILS	FÜHRUNGSSCHIENEN	06.15
GRP53	EMBOU POUR COULISSE	GUIDE RAIL END PIECE	FÜHRUNGSSCHIENENABSCHLUSS	06.25
GRX53	CLIP PLASTIQUE	CLAMP	KLAMMER	06.26
GU-4.3	UNITÉ DE COMMANDE EN GROUPE	GROUP CONTROL	GRUPPENSTEUERUNG	09.49
GU-4.R	UNITÉ DE COMMANDE EN GROUPE	GROUP CONTROL	GRUPPENSTEUERUNG	09.49
GU-4	UNITÉ DE COMMANDE EN GROUPE	GROUP CONTROL	GRUPPENSTEUERUNG	09.49
H150	MANIVELLE	CRANK ROD	KURBEL	10.18
HD	MANIVELLE TÉLESCOPIQUE	TELESCOPIC HANDLE	TELESKOPGRIF	10.20
HELIO 8541R	RADIOCAPTEUR DE LUMINOSITÉ	LIGHT/DARKNESS RADIO SENSOR	HELLIGKEITSENSOR	09.38
IB/95-17	PARACHUTE	SAFETY BRAKE	ABROLLSICHERUNG	09.30
IB/147	PARACHUTE	SAFETY BRAKE	ABROLLSICHERUNG	09.30
INIS DUO	INTERRUPTEUR	SWITCH	ZWEIFACH-SCHALTER	09.53
INIS KEO	INTERRUPTEUR	SWITCH	SCHALTER	09.53
INIS UNO	INTERRUPTEUR	SWITCH	SCHALTER	09.53
INS	ADAPTATEUR	ADAPTER	WALZENKAPPE	08.19
INTRO II 8501-2M	MINITABLEAU DE COMMANDE	MINI TRANSMITTER	FUNKHANDSENDER	09.38
INTRO II 8501-4M	MINITABLEAU DE COMMANDE	MINI TRANSMITTER	FUNKHANDSENDER	09.38
INTRO II 8513-50	DISPOSITIF D'ACTION AVEC LA RADIO	RADIO CONTROL	FUNKSTEUERUNG	09.41
INTRO II 8513 UP	RADIOCOMMANDE	RADIO CONTROL	FUNKSTEUERUNG	09.41
INTRO II 8552-50	RADIOMINUTERIE	RADIOTIMER	FUNKZEITSCHALTUHR	09.39
INTRO LL 8501-1	MINITABLEAU DE COMMANDE	MINI TRANSMITTER	FUNKHANDSENDER	09.37
INTRO LL 8501-5	TABLEAU DE TÉLÉCOMMANDE	REMOTE RADIO	FUNKHANDSENDER	09.37
INTRO LL 8503-50	TABLEAU DE COMMANDE MURAL	WALL-MOUNTED TRANSMITTER	WANDSENDER	09.39
INTRO LL 8505-50-4	TABLEAU DE COMMANDE	SCENARIO SWITCH	SZENARIENMANAGER	09.40
INTRO LL 8505-50-6	TABLEAU DE COMMANDE	SCENARIO SWITCH	SZENARIENMANAGER	09.40
INTRO LL 8505-50-8	TABLEAU DE COMMANDE	SCENARIO SWITCH	SZENARIENMANAGER	09.40
INTRO LL 8533-9	TABLEAU DE TÉLÉCOMMANDE	CENTRAL REMOTE RADIO	ZENTRALFUNKHANDSENDER	09.37
INTRO LL 8551-50	RADIOMINUTERIE	RADIOTIMER	FUNKZEITSCHALTUHR	09.39
IS1/77	JOINT	INSERT	KEDEREINLAGE	05.23
IS9	JOINT	INSERT	EINLAGE	05.22
IS10	BROSSE	BRUSH INSERT	BÜRSTENEINLAGE	05.22
IS11	JOINT	INSERT	EINLAGE	06.23
IS13	JOINT	INSERT	EINLAGE	06.23
IS14	JOINT	INSERT	EINLAGE	05.22
IS15	JOINT	INSERT	EINLAGE	09.58
IS19	JOINT	INSERT	EINLAGE	05.23
IS24	JOINT	INSERT	EINLAGE	06.23
ISE01	BROSSE	BRUSH INSERT	BÜRSTENEINLAGE	06.24
ISE03	BROSSE	BRUSH INSERT	BÜRSTENEINLAGE	06.24
ISE06	BROSSE	BRUSH INSERT	BÜRSTENEINLAGE	02.12
ISE17	BROSSE	BRUSH INSERT	BÜRSTENEINLAGE	06.24
ISE18	BROSSE	BRUSH INSERT	BÜRSTENEINLAGE	02.11
ISE19	BROSSE	BRUSH INSERT	BÜRSTENEINLAGE	06.25
ISR-4	INDICATEUR D'ÉTAT DES VOLETS ROULLANTS	ROLLER SHUTTERS STATUS INDICATOR	ROLLADEN-POSITIONSANZEIGE	09.50
KET SC	CHAÎNE POUR MONTÉE URGENTE DU TABLIER	MANUAL OVERRIDE CHAIN	NOT-HANDKETTE	09.18
KEYTIS (2RTS, 4RTS)	TÉLÉCOMMANDE	REMOTE CONTROL TRANSMITTER	FUNKHANDSENDER	09.32
KMF/40	SUPPORT	MOTOR BRACKET	LAGERPLATTE	09.13
KMF/50	SUPPORT	MOTOR BRACKET	LAGERPLATTE	09.13
KMF/60	SUPPORT	MOTOR BRACKET	LAGERPLATTE	09.14
KMF/165, KMF/205	FIXATEUR	MOTOR BRACKET	LAGERPLATTE	09.13
KMF/T8M	SUPPORT	MOTOR BRACKET	LAGERPLATTE	09.14
KM/NHK	SUPPORT	MOTOR BRACKET	BEFESTIGUNG	09.28
KMU/G, KMU/WG	SUPPORT UNIVERSEL	UNIVERSAL MOTOR BRACKET	UNIVERSAL-BEFESTIGUNG	09.27
KMU	SUPPORT UNIVERSEL	UNIVERSAL MOTOR BRACKET	UNIVERSAL-BEFESTIGUNG	09.27
KN SC	CONSOLE	CONSOLE	KONSOLE	07.48

Référence • Article • Artikel	Dénomination	Description	Bezeichnung	Page • Page • Seite
KP/1000, KP/1500, KP/2000	TREUIL	CRANK ROD	KURBEL	09.30
KPU37/R	LAME D'ORIENTATION	JOINT PROFILE	SCHLOSS-PROFIL	05.12
KPU45/R	LAME D'ORIENTATION	JOINT PROFILE	SCHLOSS-PROFIL	05.12
KPU55/R	LAME D'ORIENTATION	JOINT PROFILE	SCHLOSS-PROFIL	05.12
KU/1	INTERRUPTEUR	SWITCH	WIPPSCHALTER	09.54
KU40	EMBOUT UNIVERSEL	UNIVERSAL CAP	UNIVERSALKAPSEL	08.09
KU60	EMBOUT UNIVERSEL	UNIVERSAL CAP	UNIVERSALKAPSEL	08.09
KU/B	BOÎTE POUR L'INSTALLATION EN APPLIQUE	BOX FOR EXTERNAL ASSEMBLY	AUFPUTZ-SCHALTERRAHMEN	09.54
KUG 30	PALIER	BALL BEARING	KUGELLAGER	08.23
KUR	MANIVELLE	HANDLE	KURBEL	10.08
M-2SIM	RESSORT DE TIRAGE DIRECT	ASSIST AND PUSH-UP SPRINGS	FEDERMECHANIK	02.09
M6×20, M6×25, M6×30	VIS	SCREW	SCHRAUBE	11.09
M6	ÉCROU	NUT	MUTTER	11.09
M-BRS	PARACHUTE	BRAKE	AUFROLLBREMSE	02.09
M-ES12X57	LAME FINALE	END SLAT	SCHLUSSLEISTE	02.02
M-FS	PIÈCE DE BLOCAGE	FIXING DEVICE	INSEKTENSCHUTZ-ARRETIERUNGSRING	02.10
M-GD9	TULIPE	ENTRY GUIDE	EINLAUFTRICHTER	02.10
M-GD9/U	TULIPE	ENTRY GUIDE	EINLAUFTRICHTER	02.11
M-GPU/AL	PLAQUE CONSOLE	SAFETY PLATE	ABWEISBLECH	02.12
M-GR53×39IE	COULISSE	GUIDE RAIL	FÜHRUNGSSCHIENE	02.03
M-GRP53	EMBOUT POUR COULISSE	GUIDE RAIL END PIECE	FÜHRUNGSSCHIENENABSCHLUSS	02.11
MK	CLÉ VIÈRGE	BLANK KEY	SCHLÜSSELROHLING	11.08
M-NLM	MÉCANISME DE BLOCAGE DE LA MOUSTIQUAIRE	INSECT SCREEN LOCKING DEVICE	INSEKTENSCHUTZ-VERRIEGELUNG	02.09
M-OP	APPUI	BEARING	GEGENLAGER	02.10
M-SBR	SUPPORT	BRACKET	INSEKTENSCHUTZ-AUFNAHME	02.10
M-SF20	JOUE LATÉRALE 20°	END CAP 20°	BLENDENKAPPE 20°	02.06
M-SF45	JOUE LATÉRALE 45°	JOUE LATÉRALE 45°	BLENDENKAPPE 45°	02.04
M-SF45/U	JOUE LATÉRALE 45°	END CAP 45°	BLENDENKAPPE 45°	02.05
M-SF-QR	JOUE LATÉRALE QUART DE ROND	QUARTER-ROUND END CAP	BLENDENKAPPE VIERTELROUND	02.08
M-SF-R	JOUE LATÉRALE DEMI-ROND	ROUND END CAP	BLENDENKAPPE HALBRUND	02.07
M-TNR-1,7 / M-TNR-2,5	TUBE AVEC MOUSTIQUAIRE	TUBE WITH INSECT SCREEN	WELLE MIT INSEKTENSCHUTZGITTER	02.02
N3×8, N4×10, N5×10	RIVET	RIVET	POPNIET	11.09
NERO 8010	PUPITRE CENTRAL	CENTRAL CONTROL	STEUERUNGSZENTRALE	09.47
NERO 8013L	UNITÉ DE COMMANDE	INDIVIDUAL CONTROL	MOTORSTEUERUNG	09.47
NERO 8013 UP	UNITÉ DE COMMANDE	INDIVIDUAL CONTROL	MOTORSTEUERUNG	09.47
NERO 8015	ADAPTATEUR DE PHASE	PHASE ADAPTER	PHASENKOPPLER	09.48
NERO 8022	RELAIS DE COMMANDE	CONTROL RELAY	MOTORSTEUERUNG	09.48
NERO 8361 UP	TRANSCODEUR	TRANSCODER	TRANSKODER	09.48
NERO II 8410 UP	PUPITRE CENTRAL	CENTRAL CONTROL	ZENTRALSTEUERUNG	09.45
NERO II 8413-50	UNITÉ DE COMMANDE	INDIVIDUAL CONTROL	MOTORSTEUERUNG	09.45
NERO II 8413 UP	UNITÉ DE COMMANDE	INDIVIDUAL CONTROL	MOTORSTEUERUNG	09.46
NERO II 8450-50	PUPITRE CENTRAL	CENTRAL CONTROL	ZENTRALSTEUERUNG	09.45
NERO LL 8400	ADAPTATEUR DE PHASE	PHASE ADAPTER	PHASENKOPPLER	09.46
NERO LL 8761 UP	TRANSCODEUR	TRANSCODER	TRANSKODER	09.46
OS/P	BUTÉE	STOPPER	STÜTZE	09.58
PI/77W	JOINT PLÉXI	GLAZING	EINLAGE	03.07
PL85	PLAQUE	CARDAN PLATE	PLATTE	10.16
PLA100	PLANCHE DE FIXATION	SUPPORT PLATE	BEFESTIGUNGSPLATTE	10.20
PP12, PP14	OBTURATEUR PVC	PVC PLUG BUTTON	PVC-ABDECKKAPPE	11.10
PP/165, PP/175, PP/225, PP/325, PP/425	ŒILLET	EYE	ÖSE	09.29
PT20×4	VERROU	LOCKING FLAT BAR	SCHUBRIEGEL	11.08
PT44	VERROU	LOCKING FLAT BAR	SCHUBRIEGEL	11.07
PT	TUBE DE SÉCURITÉ EN PVC	PROTECTIVE PVC TUBE	PVC-SCHUTZROHR	10.15
PV	MOYEU	FAST CLUTCH	HÜLSENKUPPLUNG	10.18
R40, R60, R70	BAGUE D'ENROULEMENT POUR VERROU DE SÉCURITÉ	SECURITY LOCK RING	AUFSTECKRING	08.10

Référence • Article • Artikel	Dénomination	Description	Bezeichnung	Page • Page • Seite
R60/S, R70/S	BAGUE EN DEUX PARTIES	BUILT-UP RINGS	AUFSTECKRING	08.12
RADIO 8101-1	MINITABLEAU DE COMMANDE	MINI TRANSMITTER	FUNKHANDSENDER	09.42
RADIO 8101-2M	MINITABLEAU DE COMMANDE	MINI TRANSMITTER	FUNKHANDSENDER	09.42
RADIO 8101-4M	MINITABLEAU DE COMMANDE	MINI TRANSMITTER	FUNKHANDSENDER	09.43
RADIO 8101-5	TÉLÉCOMMANDE	REMOTE CONTROL RADIO	HANDSENDER	09.42
RADIO 8113 IP65	RADIOCOMMANDE	RADIO CONTROL	FUNKSTEUERUNG	09.44
RADIO 8113 MICRO	DISPOSITIF DE COMMANDE RADIO MONOVOIE	ONE CHANNEL RADIO CONTROL	FUNKSTEUERUNG 1-KANAL	09.43
RADIO 8113 UPI	DISPOSITIF DE COMMANDE RADIO MONOVOIE	ONE CHANNEL RADIO CONTROL	FUNKSTEUERUNG 1-KANAL	09.44
RADIO 8117 UP	RADIOCARTE	RADIO CARD	FUNK-EMPGANFSMODUL	09.44
RADIO 8152-50	RADIOMINUTERIE	RADIOTIMER	FUNKZEITSCHALTUHR	09.43
RBAND/OS	TRANSMETTEUR DU SIGNAL DE LA BARRE PALPEUSE	SIGNAL TRANSMITTER	TRANSMITTER	09.59
RC205, RC250/S	CHARIOT MOBILE	MOVABLE CARRIAGE	LAUFWAGEN	07.48
RC360/C	CHARIOT MOBILE	MOVABLE CARRIAGE	BEWEGLICHER LAUFWAGEN	07.46
RC	CHARIOT MOBILE	MOVABLE CARRIAGE	LAUFWAGEN	07.48
RD40, RD60, RD70, RD102	BAGUE DE DISTANCE	DISTANCE RING	ADAPTERRING	08.17
RDS70/77	BAGUE DE DISTANCE	DISTANCE RING	ADAPTERRING	08.15
RF/70	BAGUE DE RACCORD	ADAPTER RING	ÜBERGANGSADAPTER	09.16
RG2, RG3, RG4	VERROU DE SÉCURITÉ	SECURITY LOCK	HOCHSCHIEBESICHERUNG	08.11
RG/C	ROULEAU DE GUIDAGE	GUIDE ROLLER	EINLAUFROLLE	07.47
RG/F	GUIDE POUR CÂBLE	CORD GUIDE	SEILFÜHRUNG	10.13
RGH9/U	ROULEAU DE GUIDAGE	GUIDE ROLLER	EINLAUFROLLE	11.02
RGH/14	ROULEAU DE GUIDAGE	GUIDE ROLLER	EINLAUFROLLE	11.01
RGH/19	ROULEAU DE GUIDAGE	GUIDE ROLLER	EINLAUFROLLE	11.02
RGH/77	ROULEAU DE GUIDAGE	GUIDE ROLLER	EINLAUFROLLE	11.01
RGH/C	ROULEAU DE GUIDAGE	GUIDE ROLLER	EINLAUFROLLE	07.47
RGM2, RGM3, RGM4	VERROU DE SÉCURITÉ	SECURITY LOCK	HOCHSCHIEBESICHERUNG	08.11
RGM/Q, RGM2/Q, RGM3/Q	VERROU DE SÉCURITÉ	SECURITY LOCK	HOCHSCHIEBESICHERUNG	08.12
RGM/U, RG/U	VERROU DE SÉCURITÉ	SECURITY LOCK	HOCHSCHIEBESICHERUNG	08.13
RGV/77	ROULEAU DE GUIDAGE	GUIDE ROLLER	EINLAUFROLLE	11.01
RL/77	SERRURE À VERROU	KEY LOCK	STANGENSCHLOSS	11.07
RL	SERRURE À VERROU	KEY LOCK	STANGENSCHLOSS	11.07
RN 30	BAGUE D'ARRÊT	RING	RING	08.23
ROLLB2	BOÎTE DE CONTRÔLE	CONTROL UNIT	STEUERUNG	09.59
RP3	CÂBLE	CORD	DRAHTSEIL	10.10
RP40x150, RP60x150, RP60x180	POULIE	PULLEY	SEILSCHEIBE	10.11
RPS70x210	POULIE	PULLEY	SEILSCHEIBE	10.12
RT40x0,5	TUBE OCTOGONAL	OCTAGONAL ROLL TUBE	ACHTKANTWELLE	08.01
RT40x0,6	TUBE OCTOGONAL	OCTAGONAL ROLL TUBE	ACHTKANTWELLE	08.02
RT60x0,6	TUBE OCTOGONAL	OCTAGONAL ROLL TUBE	ACHTKANTWELLE	08.03
RT60x0,8	TUBE OCTOGONAL	OCTAGONAL ROLL TUBE	ACHTKANTWELLE	08.04
RT70x1,2	TUBE OCTOGONAL	OCTAGONAL ROLL TUBE	ACHTKANTWELLE	08.05
RT102x2,5	TUBE OCTOGONAL	OCTAGONAL ROLL TUBE	ACHTKANTWELLE	08.06
RT108x3,6	TUBE ROND	ROUND ROLL TUBE	RUNDWELLE	08.06
RTS RECEIVER DC	COMMANDE RADIO	RADIO CONTROL	FUNKSTEUERUNG	09.34
S13x4, S13x6, S13x8	AGRAFE	STAPLE	KLAMMER	11.08
SAPF	INTERRUPTEUR	SWITCH	SCHLÜSSELSTASTER	09.55
SB20	CAISSON 20°	SHUTTER BOX 20°	BLENDENKASTEN 20°	07.21
SB45/360-MH	CAISSON	SHUTTER BOX	BLENDENKASTEN	07.06
SB45/U-BM	JOUE LATÉRALE 45°	END CAP 45°	BLENDENKAPPE 45°	07.14
SB45/U-M	JOUE LATÉRALE 45°	END CAP 45°	BLENDENKAPPE 45°	07.11
SBB12/100	SUPPORT DU PALIER	BALL BEARING SUPPORT	LAGERPLATTE	08.20
SBB28	SUPPORT DU PALIER	BALL BEARING SUPPORT	ANSCHRAUBLAGER	08.20
SBB30/108	SUPPORT AVEC PALIER	BALL BEARING SUPPORT	ANSCHRAUBLAGER	08.22
SBB32	SUPPORT AVEC PALIER	BALL BEARING SUPPORT	ANSCHRAUBLAGER	08.22
SBB42/100	SUPPORT DU PALIER	BALL BEARING SUPPORT	LAGERPLATTE	08.21
SBB42	SUPPORT DU PALIER	BALL BEARING SUPPORT	ANSCHRAUBLAGER	08.21

Référence • Article • Artikel	Dénomination	Description	Bezeichnung	Page • Page • Seite
SB	CAISSON 45°	SHUTTER BOX 45°	BLENDENKASTEN 45°	07.01
SB	CAISSON 45°	SHUTTER BOX 45°	BLENDENKASTEN 45°	07.02
SBG/0	ENROULEUR POUR SANGLE À RÉDUCTEUR	ROPE GEAR COILER	SCHNURWICKLER	10.08
SBG	ENROULEUR POUR SANGLE À RÉDUCTEUR	ROPE GEAR COILER	SCHNURWICKLER	10.08
SB-I/FR/17M	RAIL DE FAÇADE	FLUSH RAIL	PUTZTRÄGERPROFIL	07.43
SB-I/FR/M	RAIL DE FAÇADE	FLUSH RAIL	PUTZTRÄGERPROFIL	07.42
SB-I/M	CAISSON INTÉGRÉ	BUILT-IN SHUTTER BOX	EINPUTZKASTEN	07.41
SB-I/UC/M	PLANCHE DE DESSUS	TOP COVER	OBERE BLENDE	07.41
SB-P/20E	CAISSON EXTRUDÉ 20°	20° EXTRUDED SHUTTER BOX	BLENDENKASTEN 20° STRANGGEPRESST	07.22
SB-P/20E	CAISSON EXTRUDÉ 20°	20° EXTRUDED SHUTTER BOX	BLENDENKASTEN 20° STRANGGEPRESST	07.23
SB-P/20E	CAISSON EXTRUDÉ 20°	20° EXTRUDED SHUTTER BOX	BLENDENKASTEN 20° STRANGGEPRESST	07.24
SB-P/45E	CAISSON EXTRUDÉ 45°	45° EXTRUDED SHUTTER BOX	BLENDENKASTEN 45° STRANGGEPRESST	07.03
SB-P/45E	CAISSON EXTRUDÉ 45°	45° EXTRUDED SHUTTER BOX	BLENDENKASTEN 45° STRANGGEPRESST	07.04
SB-P/45E	CAISSON EXTRUDÉ 45°	45° EXTRUDED SHUTTER BOX	BLENDENKASTEN 45° STRANGGEPRESST	07.05
SB-P/QRE/150	CAISSON QUART DE ROND	SHUTTER BOX QUARTER-ROUND	BLENDENKASTEN VIERTELROUND	07.36
SB-P/QRE/180	CAISSON QUART DE ROND	SHUTTER BOX QUARTER-ROUND	BLENDENKASTEN VIERTELROUND	07.37
SB-P/QRE/205	CAISSON QUART DE ROND	SHUTTER BOX QUARTER-ROUND	BLENDENKASTEN VIERTELROUND	07.38
SB-P/RE/137	CAISSON DEMI-ROND	SHUTTER BOX ROUND	BLENDENKASTEN HALBRUND	07.28
SB-P/RE/150	CAISSON DEMI-ROND	SHUTTER BOX ROUND	BLENDENKASTEN HALBRUND	07.29
SB-P/RE/165	CAISSON DEMI-ROND	SHUTTER BOX ROUND	BLENDENKASTEN HALBRUND	07.30
SB-P/RE/180	CAISSON DEMI-ROND	SHUTTER BOX ROUND	BLENDENKASTEN HALBRUND	07.31
SB-P/RE/205	CAISSON DEMI-ROND	SHUTTER BOX ROUND	BLENDENKASTEN HALBRUND	07.32
SB-QR	CAISSON QUART DE ROND	SHUTTER BOX QUARTER-ROUND	BLENDENKASTEN VIERTELROUND	07.35
SBR/40, SBR/80	ENROULEUR POUR CÂBLE A RÉDUCTEUR	CORD GEAR COILER	SEILWICKLER	10.09
SB-R	CAISSON DEMI-ROND	SHUTTER BOX ROUND	BLENDENKASTEN HALBRUND	07.27
SBR/140, SBR/180	ENROULEUR POUR CÂBLE A RÉDUCTEUR	CORD GEAR COILER	SEILWICKLER	10.09
SBS300	RENFORCEUR DU CAISSON	SHUTTER BOX REINFORCING PLATE	KASTENVERSTÄRKUNG	07.50
SB-U/75	RAIDISSEUR DU CAISSON	SHUTTER BOX REINFORCING PLUG	KASTEN-VERSTÄRKUNG	07.50
SB-I/F/M	TRAPPE DE VISITE	BOTTOM FLAT	UNTERE BLENDE	07.42
SB-I/PL	PLANCHE	PLATE	PLATTE	07.43
SC1	JEU POUR COMMUTATION	COMMUNICATION SET	SCHALT-SET	09.58
SCH30/108	RONDELLE	WASHER	SCHEIBE	08.23
SF20	JOUES LATÉRALES 20°	END CAPS 20°	BLENDENKAPPEN 20°	07.25
SF20	JOUES LATÉRALES 20°	END CAPS 20°	BLENDENKAPPEN 20°	07.26
SF45/137...205/D	JOUE INTERMÉDIAIRE COUPLÉE	INTERMEDIATE TWO-SIDED CAP	DOPPELSEITIGE MITTEL- BLENDENKAPPE	07.51
SF45/137...205/I	JOUE AVEC TROU EXTÉRIEUR	CAP WITH EXTERNAL HOLE	MITTELBLENDENKAPPE MIT SEPARATEM AUSSCHNITT	07.52
SF45/150...205/IQ	JOUE AVEC TROU EXTÉRIEUR	CAP WITH EXTERNAL HOLE	MITTELBLENDENKAPPE MIT SEPARATEM AUSSCHNITT	07.53
SF45/U-B	JOUE LATÉRALE 45°	END CAP 45°	BLENDENKAPPE 45°	07.12
SF45/U-B	JOUE LATÉRALE 45°	END CAP 45°	BLENDENKAPPE 45°	07.13
SF45/U	JOUE LATÉRALE 45°	END CAP 45°	BLENDENKAPPE 45°	07.09
SF45/U	JOUE LATÉRALE 45°	END CAP 45°	BLENDENKAPPE 45°	07.10
SF90	JOUES LATÉRALES 90°	END CAPS 90°	BLENDENKAPPEN 90°	07.43
SF230, SF230-M	JOUE LATÉRALE	END CAP	BLENDENKAPPE	07.16
SF230/S, SF230/S-M	JOUES LATÉRALES 45°	END CAPS 45°	BLENDENKAPPEN 45°	07.15
SF250A, SF250A-M	JOUES LATÉRALES 45°	END CAPS 45°	BLENDENKAPPEN 45°	07.18
SF250/SA, SF250/SA-M	JOUES LATÉRALES 45°	END CAPS 45°	BLENDENKAPPEN 45°	07.17
SF300A, SF300A-M	JOUES LATÉRALES 45°	END CAPS 45°	BLENDENKAPPEN 45°	07.19
SF360	JOUES LATÉRALES	END CAPS	BLENDENKAPPEN	07.20
SF360/C	JOUE LATÉRALE EN ACIER	STEEL END CAP	STAHL-BLENDENKAPPE	07.45

Référence • Article • Artikel	Dénomination	Description	Bezeichnung	Page • Page • Seite
SF405/C	JOUE LATÉRALE EN ACIER	STEEL END CAP	STAHL-BLENDEKAPPE	07.45
SFC/C	JEU DE FIXATION POUR CÂBLE	CABLE FIXING KIT	SET FÜR KABELBEFESTIGUNG	07.47
SF	JOUES LATÉRALES 45°	END CAPS 45°	BLINDENKAPPEN 45°	07.07
SF	JOUES LATÉRALES 45°	END CAPS 45°	BLINDENKAPPEN 45°	07.08
SF-QR/137...205/D	JOUE INTERMÉDIAIRE COUPLÉE	INTERMEDIATE TWO-SIDED CAP	DOPPELSEITIGE MITTEL- BLINDENKAPPE	07.51
SF-QR/137...205/I	JOUE AVEC TROU EXTÉRIEUR	CAP WITH EXTERNAL HOLE	MITTELBLINDENKAPPE MIT SEPARATEM AUSSCHNITT	07.52
SF-QR/150...205/IQ	JOUE AVEC TROU EXTÉRIEUR	CAP WITH EXTERNAL HOLE	MITTELBLINDENKAPPE MIT SEPARATEM AUSSCHNITT	07.53
SF-QR	JOUES LATÉRALES QUART DE ROND	END CAPS QUARTER-ROUND	BLINDENKAPPEN VIERTELROUND	07.39
SF-QR	JOUES LATÉRALES QUART DE ROND	END CAPS QUARTER-ROUND	BLINDENKAPPEN VIERTELROUND	07.40
SF-R/137...205/D	JOUE INTERMÉDIAIRE COUPLÉE	INTERMEDIATE TWO-SIDED CAP	DOPPELSEITIGE MITTEL- BLINDENKAPPE	07.51
SF-R/137...205/I	JOUE AVEC TROU EXTÉRIEUR	CAP WITH EXTERNAL HOLE	MITTELBLINDENKAPPE MIT SEPARATEM AUSSCHNITT	07.52
SF-R/150...205/IQ	JOUE AVEC TROU EXTÉRIEUR	CAP WITH EXTERNAL HOLE	MITTELBLINDENKAPPE MIT SEPARATEM AUSSCHNITT	07.53
SF-R	JOUES LATÉRALES DEMI-RONDES	END CAPS ROUND	BLINDENKAPPEN HALBRUND	07.33
SF-R	JOUES LATÉRALES DEMI-RONDES	END CAPS ROUND	BLINDENKAPPEN HALBRUND	07.34
SH/77	RENFORT DE LA LAME FINALE	WINDLOCK	SCHLUSSHALTERUNG	05.16
SIGNAL12	CAPTEURS OPTIQUES	OPTOSENSORS	OPTOSENSORE	09.57
SIMU T8 (M) SERIES	MOTEUR TUBULAIRE ÉLECTRIQUE	TUBULAR ELECTRIC MOTOR	ELEKTRISCHER EINSTECKANTRIEB	09.11
S/IQ	SUPPORT DE TUBE	SUPPORT DE TUBE	MITTELSTÜTZLAGERPLATTE	08.20
SL	VERROU MANUEL	HAND LATCH LOCK	HANDRIEGEL	11.06
S-NHK	SYSTÈME DU BLOCAGE NHK	BLOCKING SYSTEM	SYSTEM DER NHK-SPERRUNG	09.31
SOC	SUPPORT	BASE	SOCKEL	09.14
SOLO 8252-50	MINUTERIE MONOVOIE	TIMER	ZEITSCHALTUHR	09.50
SOMFY COMPACT SERIES	MOTEURS ÉLECTRIQUES EXTÉRIEURS	OVERTUBE ELECTRIC MOTOR	AUFSTECKANTRIEBE	09.12
SOMFY HIPRO-LT 50 NHK RTS SERIES	MOTEUR TUBULAIRE ÉLECTRIQUE	TUBULAR ELECTRIC MOTOR	ELEKTRISCHER EINSTECKANTRIEB	09.07
SOMFY HIPRO-LT 50 NHK SERIES	MOTEUR TUBULAIRE ÉLECTRIQUE	TUBULAR ELECTRIC MOTOR	ELEKTRISCHER EINSTECKANTRIEB	09.08
SOMFY HIPRO-LT 50 SERIES	MOTEUR TUBULAIRE ÉLECTRIQUE	TUBULAR ELECTRIC MOTOR	ELEKTRISCHER EINSTECKANTRIEB	09.05
SOMFY HIPRO-LT 60 NHK SERIES	MOTEUR TUBULAIRE ÉLECTRIQUE	TUBULAR ELECTRIC MOTOR	ELEKTRISCHER EINSTECKANTRIEB	09.10
SOMFY HIPRO-LT 60 SERIES	MOTEUR TUBULAIRE ÉLECTRIQUE	TUBULAR ELECTRIC MOTOR	ELEKTRISCHER EINSTECKANTRIEB	09.09
SOMFY ILMO 50 WT SERIES	MOTEUR TUBULAIRE ÉLECTRIQUE	TUBULAR ELECTRIC MOTOR	ELEKTRISCHER EINSTECKANTRIEB	09.04
SOMFY LS 40 SERIES	MOTEUR TUBULAIRE ÉLECTRIQUE	TUBULAR ELECTRIC MOTOR	ELEKTRISCHER EINSTECKANTRIEB	09.02
SOMFY OXIMO 50 RTS SERIES	MOTEUR TUBULAIRE ÉLECTRIQUE	TUBULAR ELECTRIC MOTOR	ELEKTRISCHER EINSTECKANTRIEB	09.03
SOMFY СЕРИЯ SOLUS 2 PA	SOMFY SOLUS 2 PA ELEKTRISCHE EINSTECKANTRIEBE	MOTEURS TUBULAIRES SOMFY SOLUS 2 PA	SOMFY SOLUS 2 PA TUBULAR MOTORS	09.06
SPA	BOUCHON LATÉRAL	SIDE LOCK	ARRETIERCLIP	11.06
SPG	BOÎTE EN PLASTIQUE	HOUSING	GEHÄUSE	10.14
SPR (105, 250, 500)	RESSORT DE SÉCURITÉ	PROTECTIVE SPRING	SPIRALSCHUTZFEDER	10.15
SP/SC	FIXATEUR DU MOTEUR À PLAQUE	MOTOR BRACKET WITH FLAT	BEFESTIGUNG MIT PLATTE	09.15
SPT8E	EMBOUT POUR LAME FINALE	STOPPER	ANSCHLAGSTOPFEN	05.23
SPT9E	EMBOUT POUR LAME FINALE	STOPPER	ANSCHLAGSTOPFEN	05.24
SS190	ATTACHE DU TABLIER	RETAINER SPRING	STAHLBANDAUFHÄNGER	08.19
SS190RDS	ATTACHE DU TABLIER	RETAINER SPRING	STAHLBANDAUFHÄNGER	08.15
SS1301	ATTACHE DU TABLIER	RETAINER SPRING	STAHLBANDAUFHÄNGER	08.18
SS1701	ATTACHE DU TABLIER	RETAINER SPRING	STAHLBANDAUFHÄNGER	08.18
SS1901	ATTACHE DU TABLIER	RETAINER SPRING	STAHLBANDAUFHÄNGER	08.18
ST25	BUTÉE	STOPPER	ANSCHLAGSTOPFEN	05.24
ST40	BUTÉE	STOPPER	ANSCHLAGSTOPFEN	05.24
SUPF	INTERRUPTEUR	SWITCH	SCHLÜSSELMASTER	09.55
T14x1,2	SANGLE	STRAP	GURT	10.09
TELIS (1 PURE, 4 PURE)	TABLEAU DE COMMANDE À DISTANCE	RADIO TRANSMITTER	FUNKHANDSENDER	09.32
TELIS 6 CHRONIS RTS PURE, TELIS 6 CHRONIS RTS SILVER	TABLEAU DE COMMANDE À DISTANCE	RADIO TRANSMITTER	FUNKHANDSENDER	09.35
TELIS 16 RTS PURE, TELIS 16 RTS SILVER	TABLEAU DE COMMANDE À DISTANCE	RADIO TRANSMITTER	FUNKHANDSENDER	09.35

Référence • Article • Artikel	Dénomination	Description	Bezeichnung	Page • Page • Seite
TERMOSUNIS INDOOR WIREFREE RTS	CAPTEUR RADIO DE TEM- PÉRATURE ET DE LUMIÈRE	TEMPERATURE AND LIGHT SENSOR	FUNKSONNENSENSOR	09.33
TG	GUIDE POUR SANGLE	STRAP GUIDE	GURTLEITROLLE	10.12
TG/U	GUIDE POUR SANGLE	STRAP GUIDE	GURTLEITROLLE	10.14
TP125, TP140, TP170	POULIE	PULLEY	GURT-/ SCHNURSCHEIBE	10.11
TPC90	POULIE	PULLEY	SCHEIBE	10.11
UC	ENROULEUR UNIVERSEL	UNIVERSAL COILER	UNIVERSALWICKLER	10.07
UCR	ENROULEUR À CORDON	ROPE COILER	SCHWENKBARER SCHNURWICKLER	10.07
UCS	ENROULEUR À SANGLE	STRAP COILER	SCHWENKBARER GURTWICKLER	10.07
US-2.15M	UNITÉ DE COMMANDE UNIVERSELLE	UNIVERSAL CONTROL	UNIVERSAL-STEUERUNG	09.50
W35M	RÉDUCTEUR	GEAR	GETRIEBE	10.16
ZA 30	TOURILLON	PIN	ACHSSCHENKEL	08.22
CKLOGO8213, A-5LOGO8213, CKLOGO8213-1000	UNITÉ DE COMMANDE ÉLECTRONIQUE À ENCODAGE	ELECTRONIC CODED CONTROL	ELEKTRONISCHE CODE-STEUERUNG	09.52

Transfert à une tierce personne avec le consentement écrit du ALUTECH.

Fautes de frappe, erreurs et modifications techniques peuvent être présentes.

Transfer to third party only by written consent of ALUTECH.

Typing errors, mistakes and technical modifications are possible.

Weitergabe an Dritte nur mit schriftlicher Zustimmung von Alutech.

Druckfehler, Irrtümer und techn. Änderungen vorbehalten.

